



US00D439867S

(12) **United States Design Patent**
Pfeiffer

(10) **Patent No.:** **US D439,867 S**

(45) **Date of Patent:** **** Apr. 3, 2001**

(54) **SURFACE CONFIGURATION OF A VEHICLE BODY AND/OR TOY**

(75) Inventor: **Peter Pfeiffer**, Boeblingen (DE)

(73) Assignee: **DaimlerChrysler AG**, Stuttgart (DE)

(**) Term: **14 Years**

(21) Appl. No.: **29/125,249**

(22) Filed: **Jun. 19, 2000**

(30) **Foreign Application Priority Data**

Dec. 22, 1999 (DE) 4 99 11 764

(51) **LOC (7) Cl.** **12-08**

(52) **U.S. Cl.** **D12/92**

(58) **Field of Search** D12/90-92; 296/185

(56) **References Cited**

U.S. PATENT DOCUMENTS

- D. 419,489 * 1/2000 Sacco et al. D12/92
- D. 430,506 * 9/2000 Guigiaro D12/92
- D. 430,508 * 9/2000 Crain et al. D12/92
- D. 434,699 * 12/2000 Pfeiffer D12/92

OTHER PUBLICATIONS

“Roadster Rakete”, *TIMES*, DaimlerChrysler, Dec. 17, 1999.

* cited by examiner

Primary Examiner—Melody N. Brown

(74) *Attorney, Agent, or Firm*—Evenson, McKeown, Edwards & Lenahan, P.L.L.C.

(57) **CLAIM**

The ornamental design for a surface configuration of a vehicle body and/or toy, as shown and described.

DESCRIPTION

FIG. 1 is a front view of a first embodiment of a surface configuration of a vehicle body and/or toy according to my novel design;

FIG. 2 is a left, front perspective view of the first embodiment of the surface configuration of a vehicle body and/or toy according to my novel design, the right, front perspective view being mirror symmetrical;

FIG. 3 is a left side view of the first embodiment of the surface configuration of a vehicle body and/or toy according to my novel design, the right side view being mirror symmetrical;

FIG. 4 is a left, rear perspective view of the first embodiment of the surface configuration of a vehicle body and/or toy according to my novel design, the right, rear perspective view being mirror symmetrical;

FIG. 5 is a rear view of the first embodiment of the surface configuration of a vehicle body and/or toy according to my novel design;

FIG. 6 is a top view of the first embodiment of the surface configuration of a vehicle body and/or toy according to my novel design;

FIG. 7 is a front view of a second embodiment of the surface configuration of a vehicle body and/or toy according to my novel design;

FIG. 8 is a left, front perspective view of the second embodiment of the surface configuration of a vehicle body and/or toy according to my novel design, the right, front perspective view being mirror symmetrical;

FIG. 9 is a left side view of the second embodiment of the surface configuration of a vehicle body and/or toy according to my novel design, the right side view being mirror symmetrical;

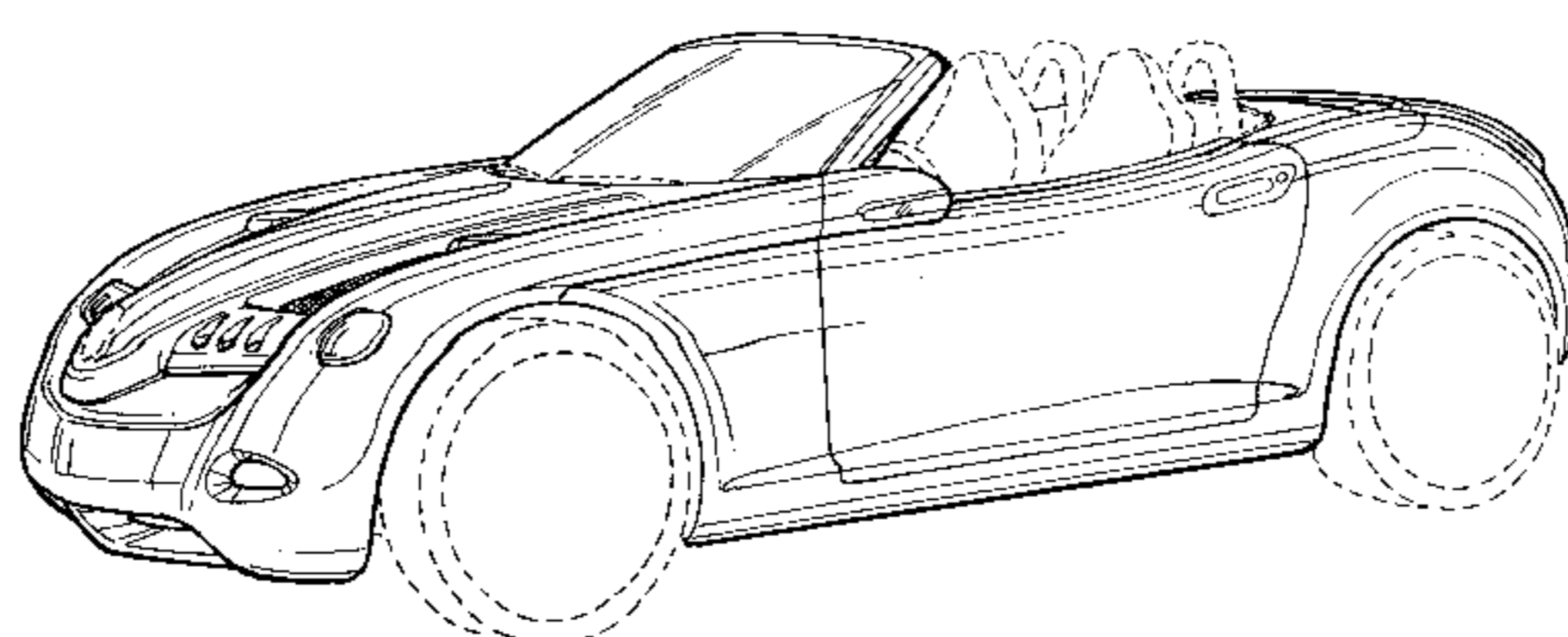
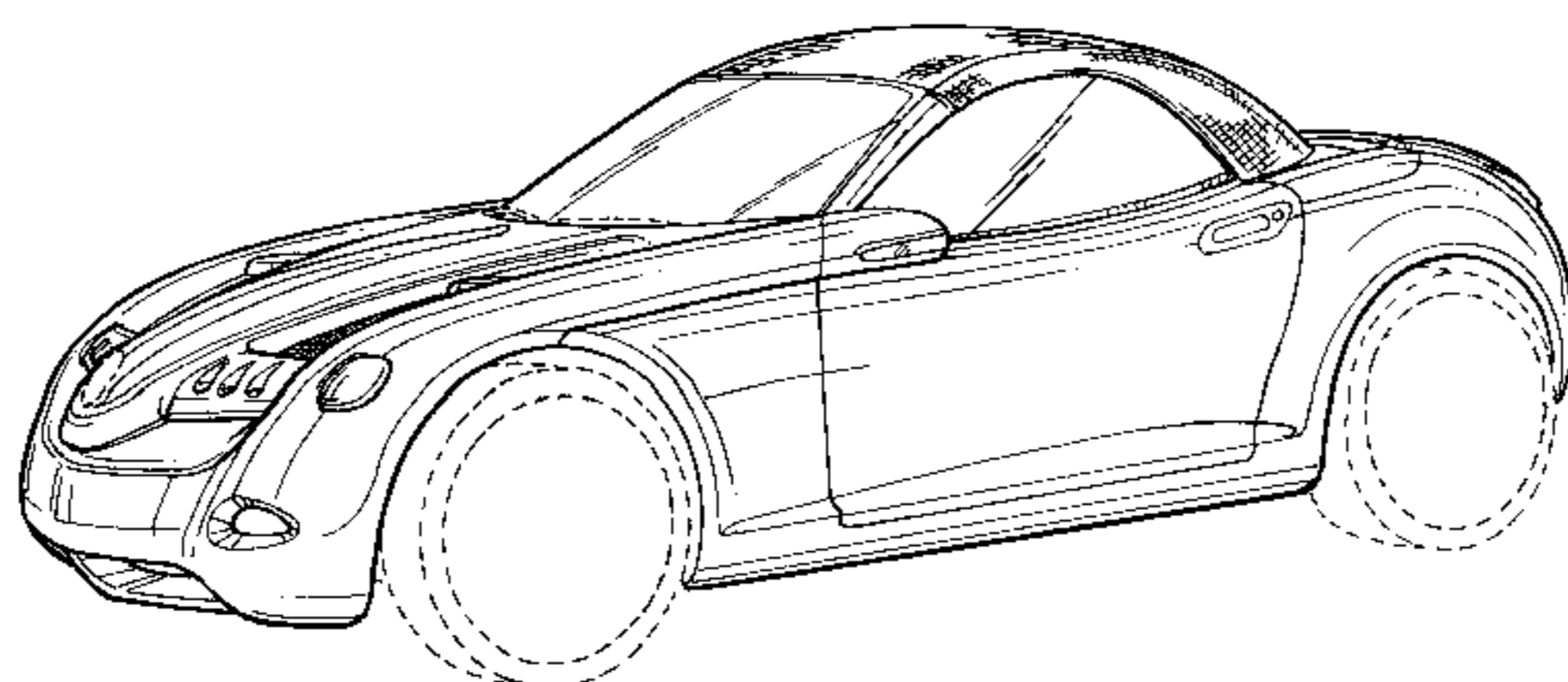
FIG. 10 is a left, rear perspective view of the second embodiment of the surface configuration of a vehicle body and/or toy according to my novel design, the right, rear perspective view being mirror symmetrical;

FIG. 11 is a rear view of the second embodiment of the surface configuration of a vehicle body and/or toy according to my novel design; and,

FIG. 12 is a top view of the second embodiment of the surface configuration of a vehicle body and/or toy according to my novel design.

The broken lines included depict environment and are not part of the claimed design.

1 Claim, 8 Drawing Sheets



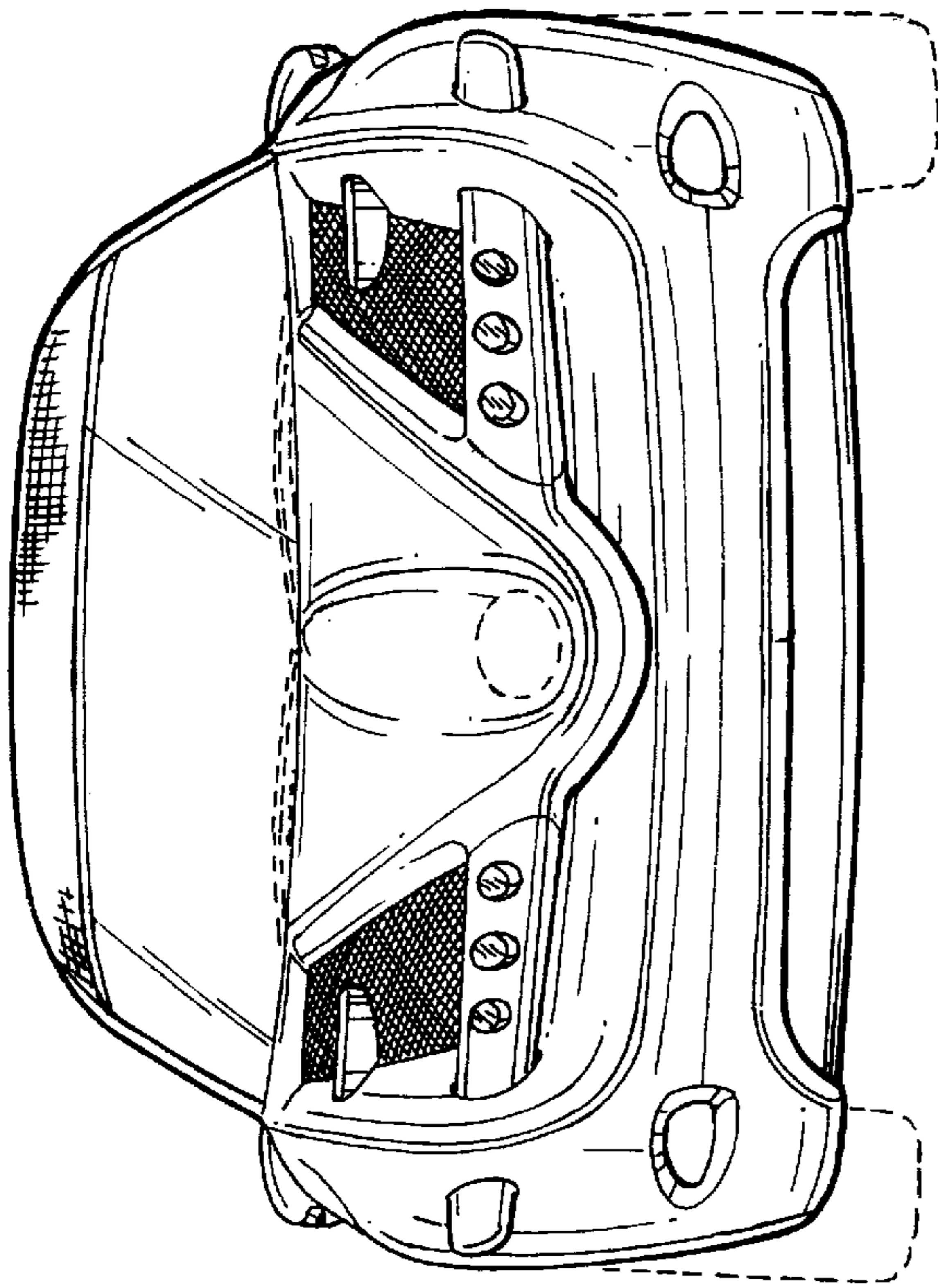


FIG. 1

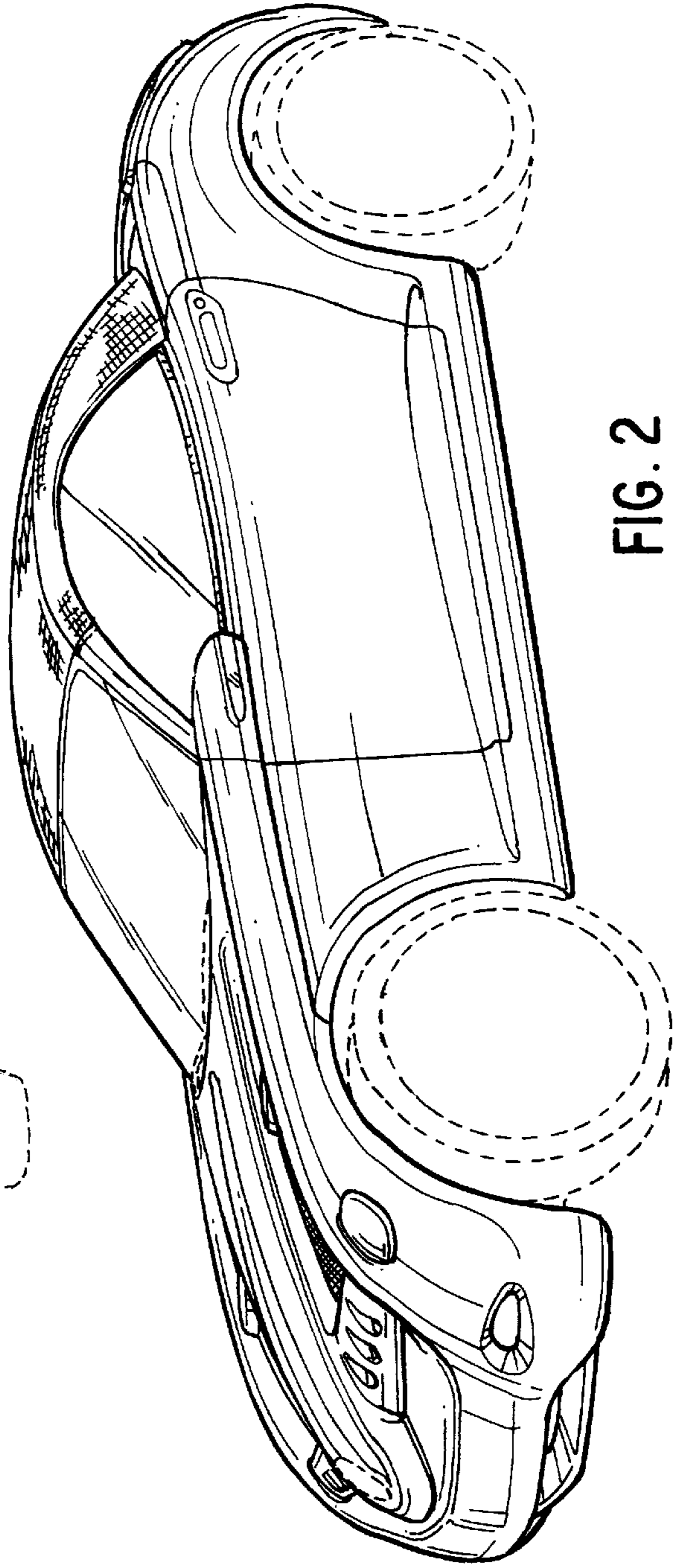


FIG. 2

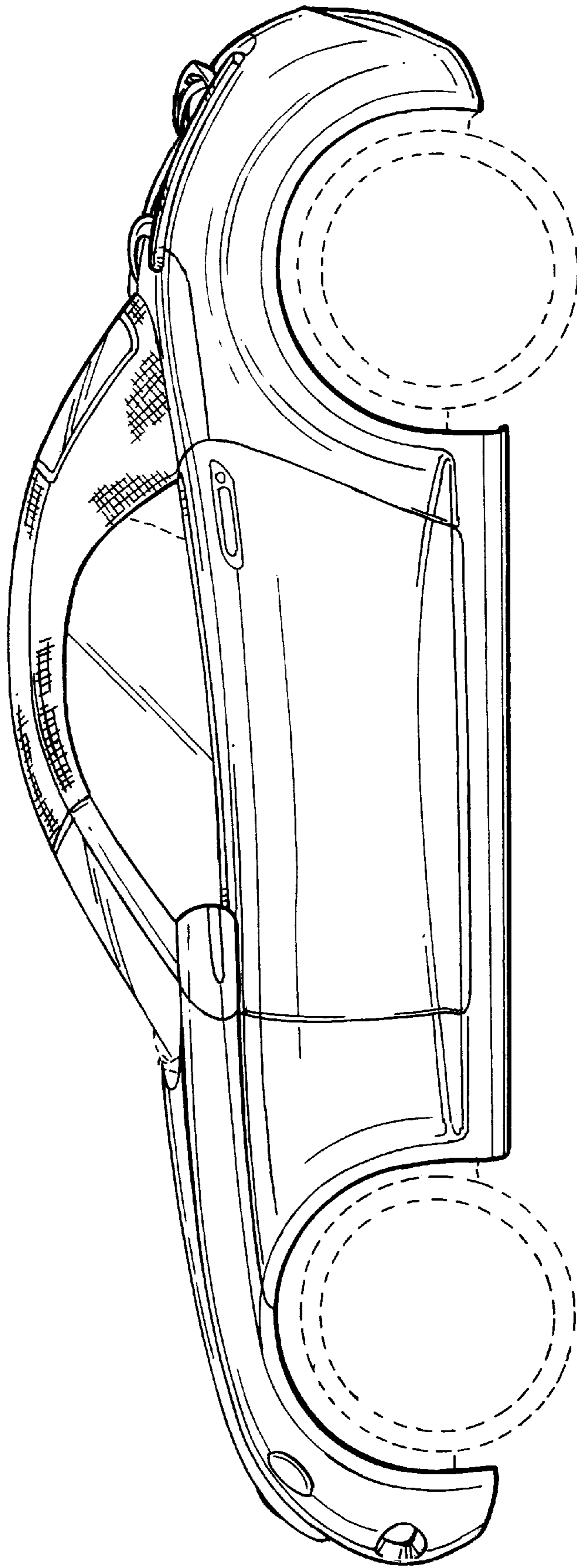


FIG. 3

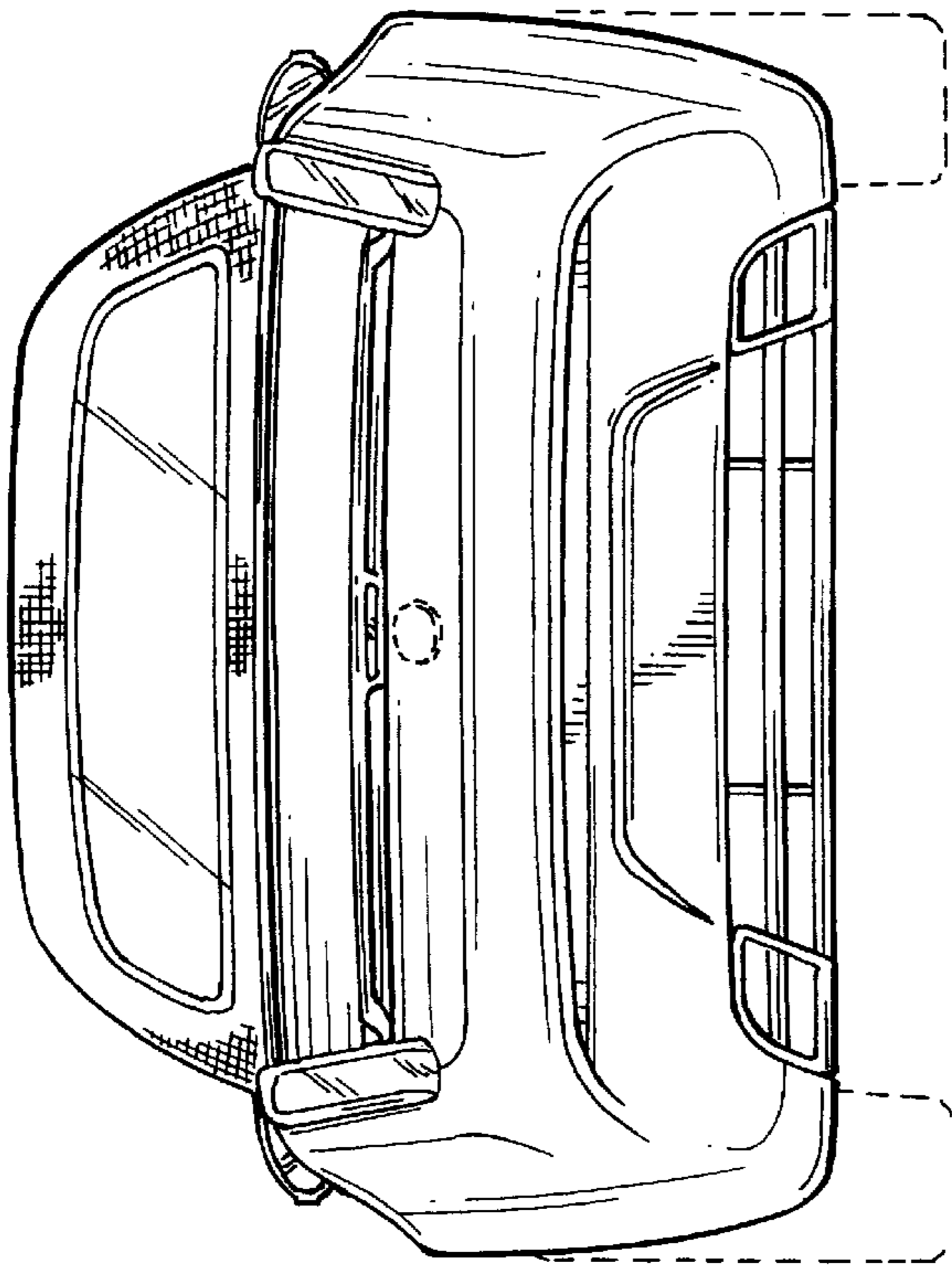


FIG. 5

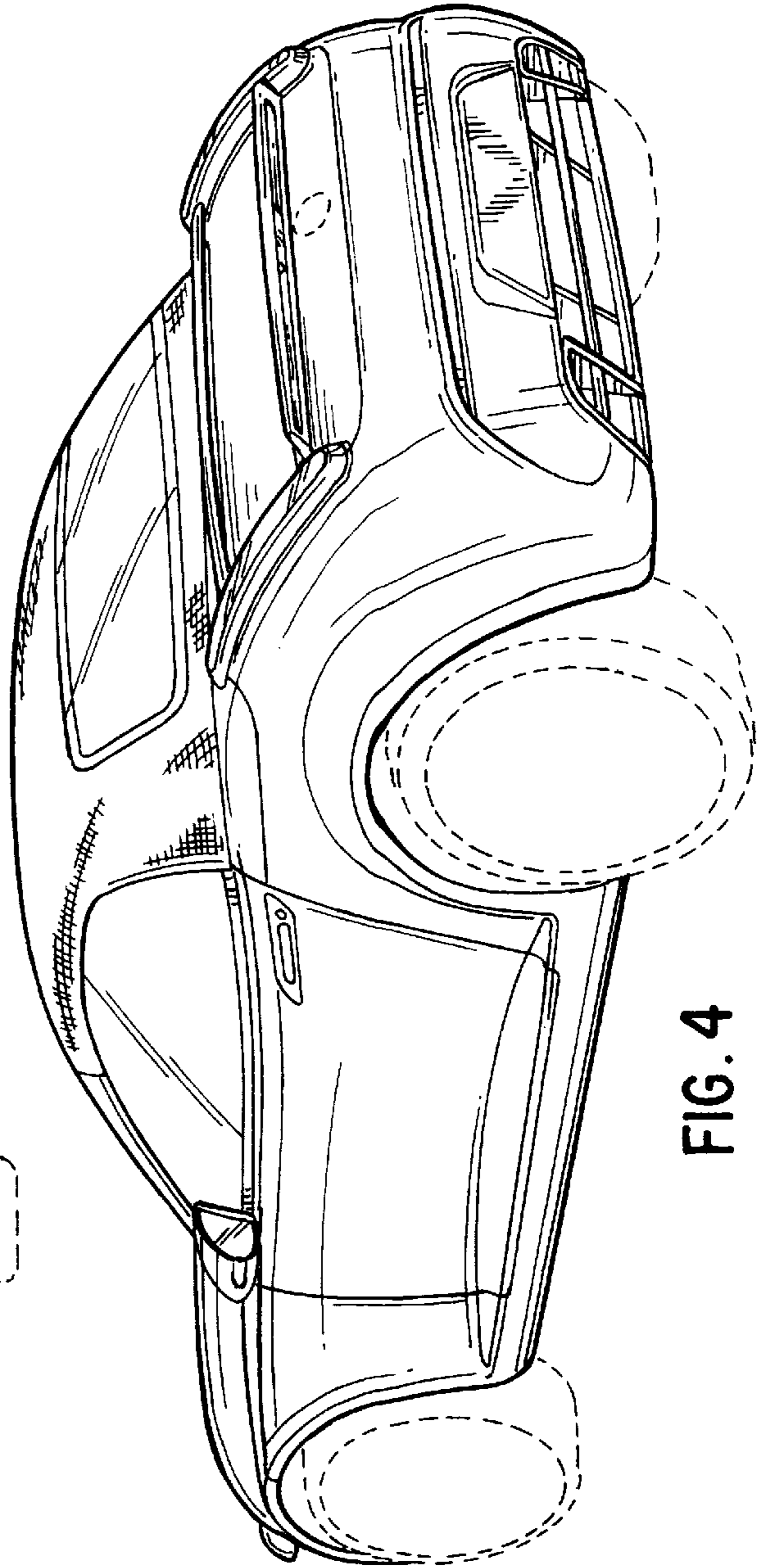


FIG. 4

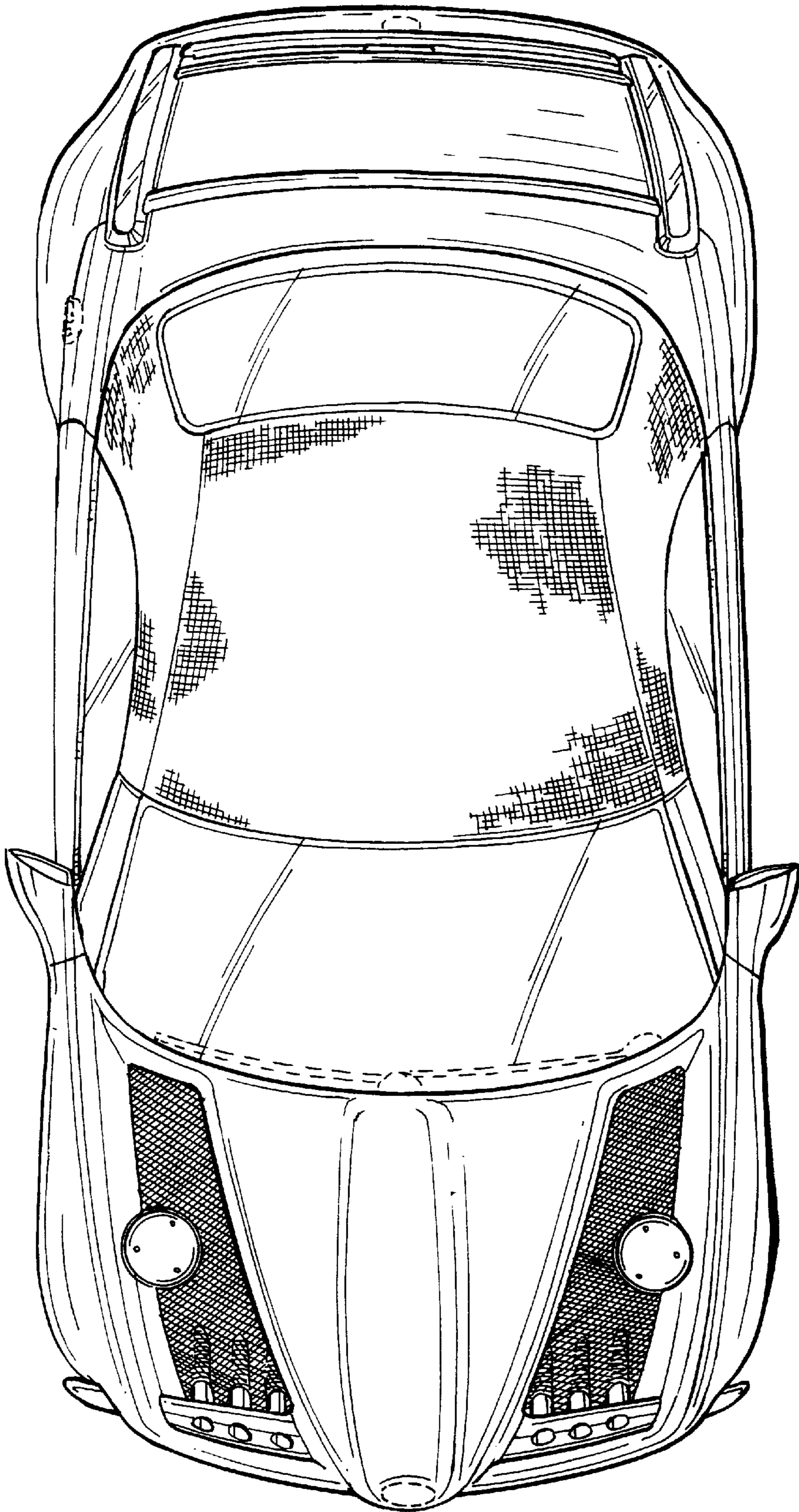


FIG. 6

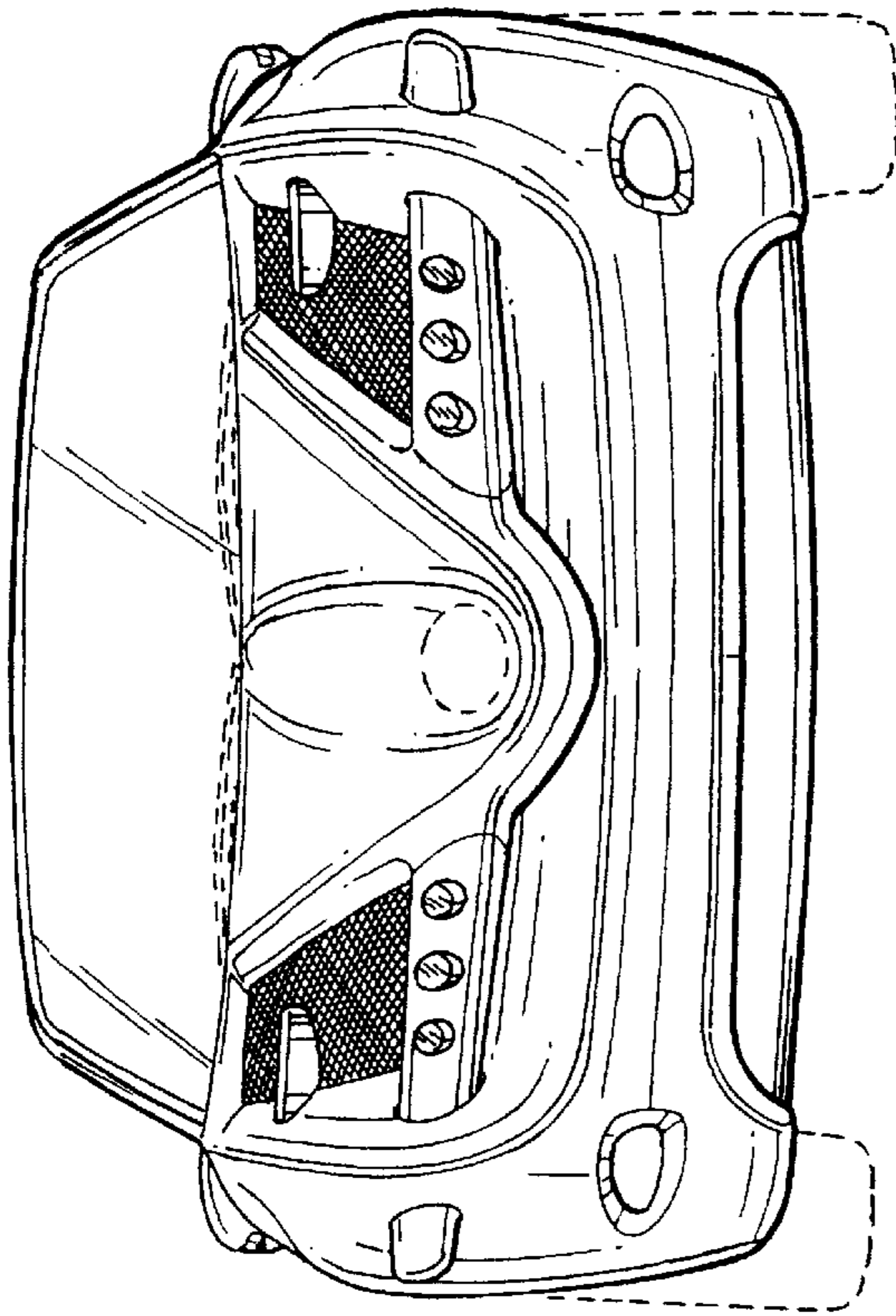


FIG. 7

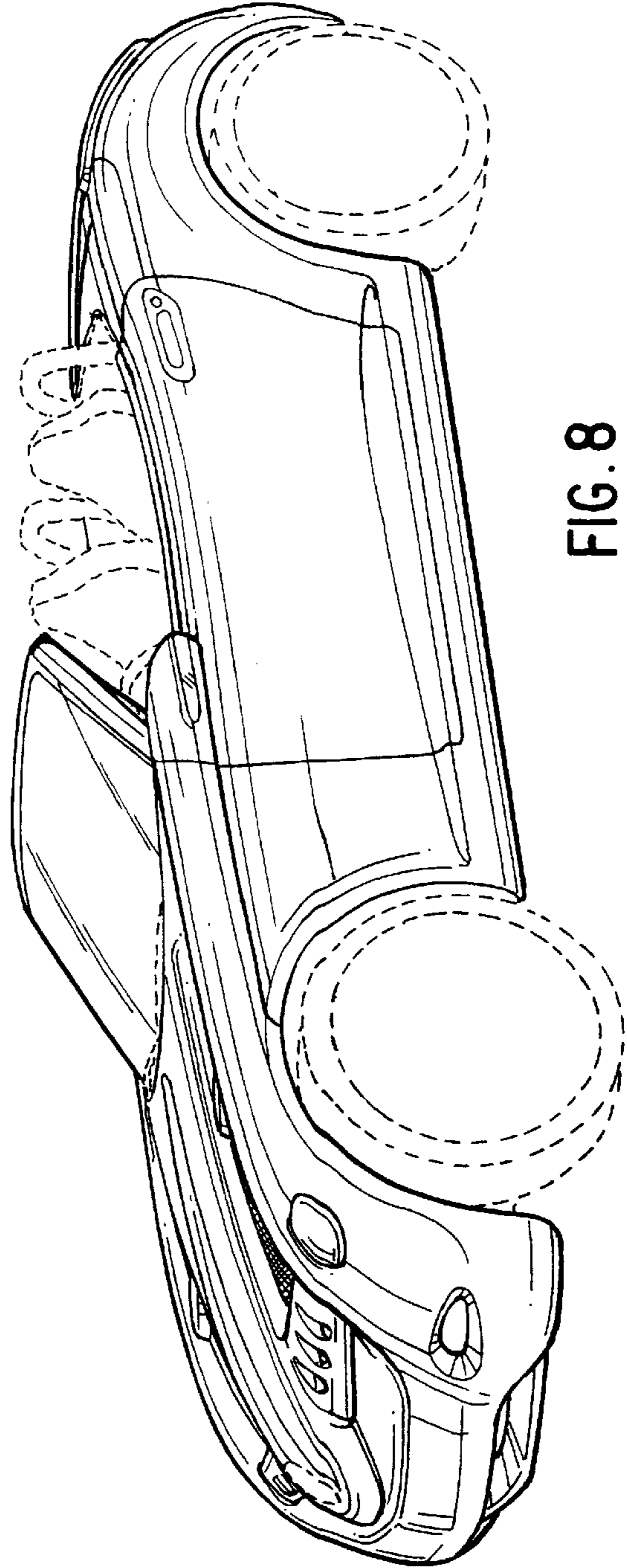


FIG. 8

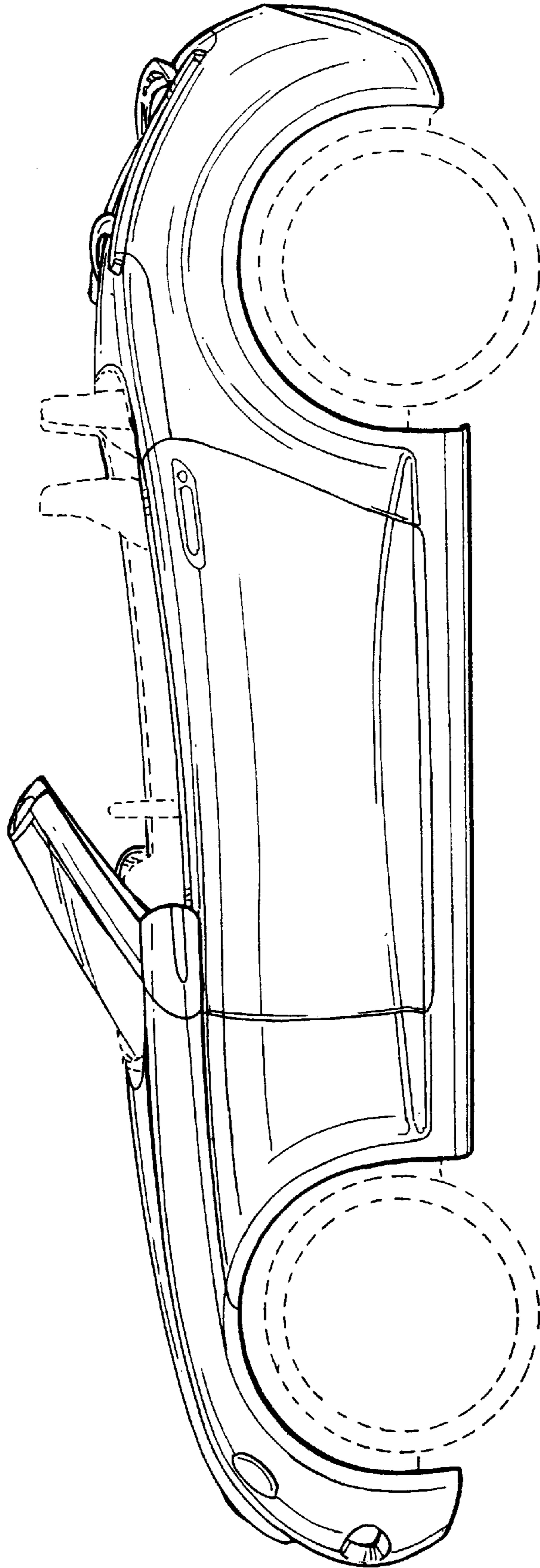


FIG. 9

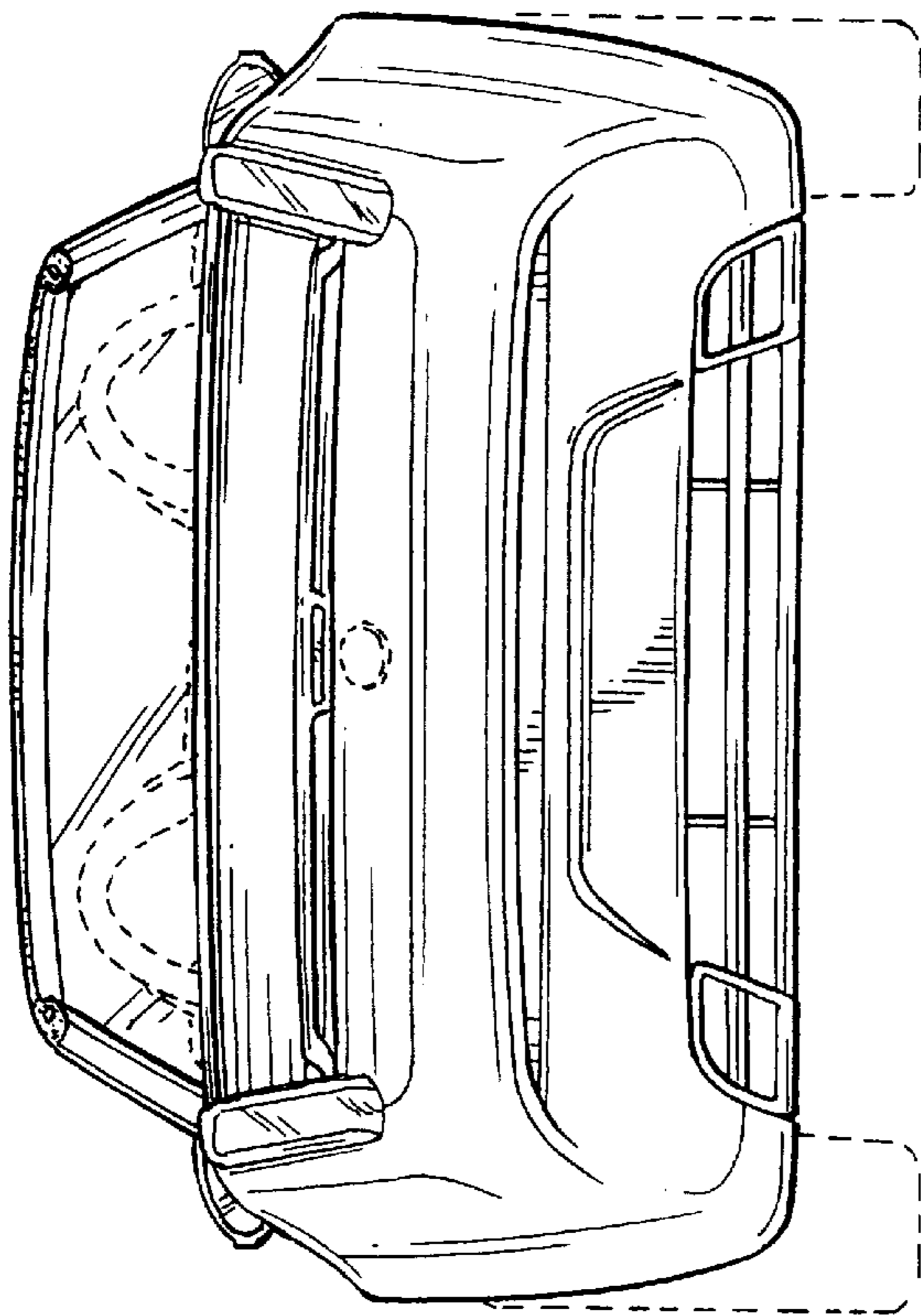


FIG. 11

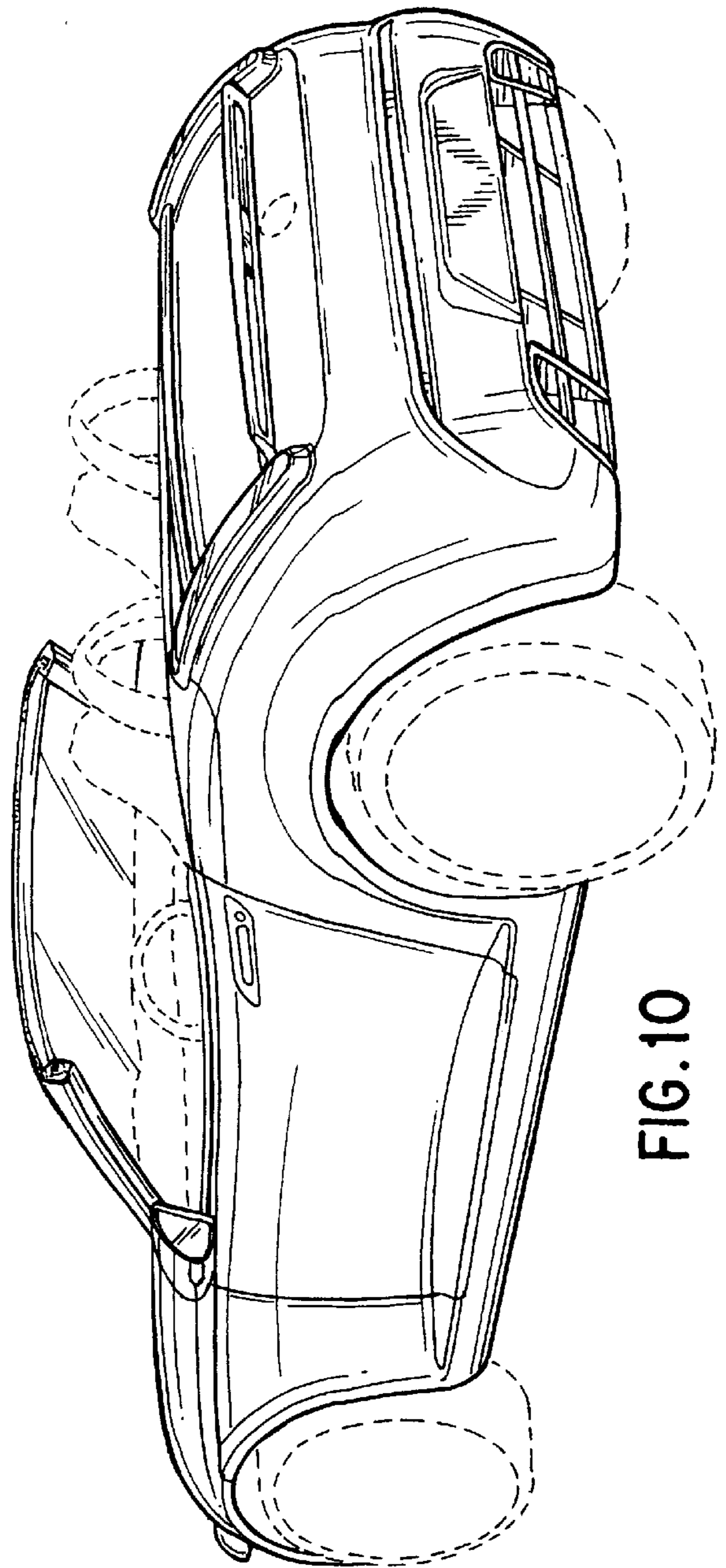


FIG. 10

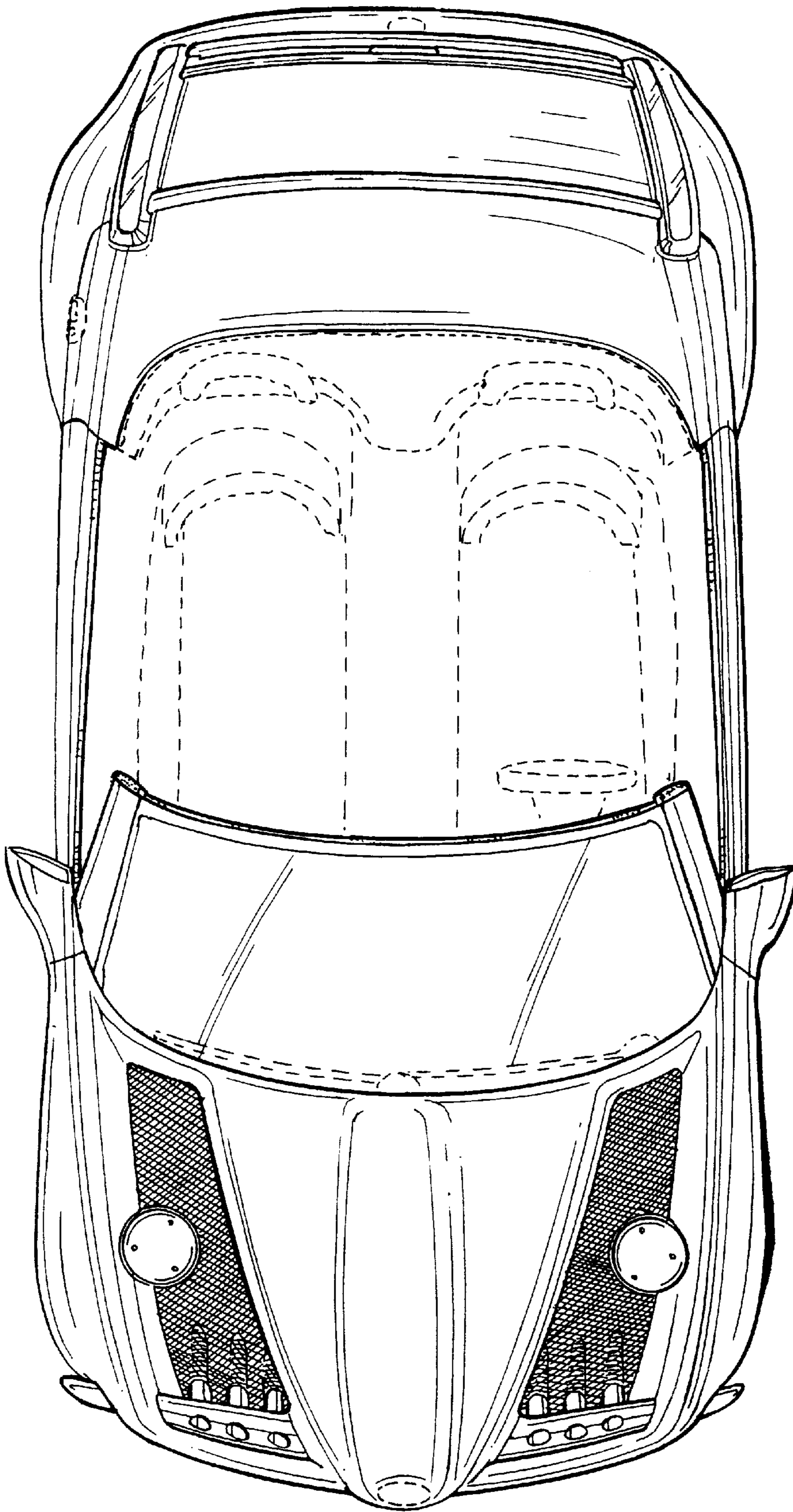


FIG.12