



US00D439866S

(12) **United States Design Patent**
Savicki, Sr.

(10) **Patent No.:** **US D439,866 S**

(45) **Date of Patent:** **** Apr. 3, 2001**

(54) **SLIDER FOR RECLOSABLE FASTENER**

D. 325,547 * 4/1992 Saito et al. D11/221
2,066,061 * 12/1936 Sundback 24/381
2,287,362 * 6/1942 Voity 24/430

(75) Inventor: **Alan F. Savicki, Sr.**, Naperville, IL
(US)

* cited by examiner

(73) Assignee: **The Glad Products Company**,
Oakland, CA (US)

Primary Examiner—Louis S. Zarfaz
Assistant Examiner—Catherine R. Oliver
(74) *Attorney, Agent, or Firm*—Thomas C. Feix

(**) Term: **14 Years**

(57) **CLAIM**

(21) Appl. No.: **29/126,014**

The ornamental design for a slider for reclosable fastener, as shown and described.

(22) Filed: **Jun. 28, 2000**

(51) **LOC (7) Cl.** **02-07**

DESCRIPTION

(52) **U.S. Cl.** **D11/221**

(58) **Field of Search** D11/200–220,
D11/221; D8/383; 24/381, 384, 417, 418,
415, 427, 429, 30.5, 430; 383/64

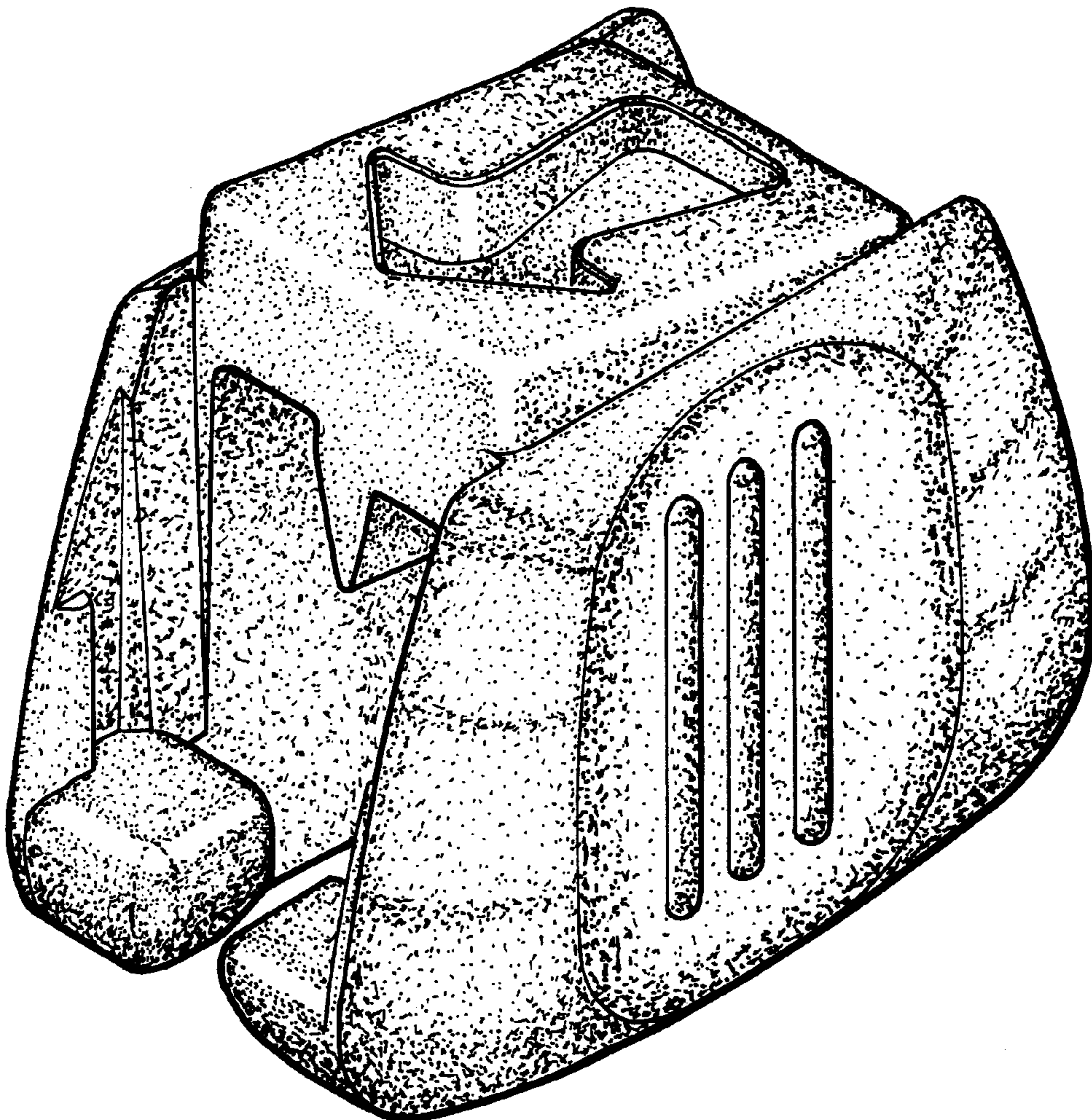
FIG. 1 is a top perspective view of a slider for reclosable fastener showing our new design;
FIG. 2 is a top plan view thereof;
FIG. 3 is a right side elevational view thereof;
FIG. 4 is a left side elevational view thereof;
FIG. 5 is a front elevational view thereof;
FIG. 6. is a rear elevational view thereof; and,
FIG. 7; is a bottom plan view thereof.

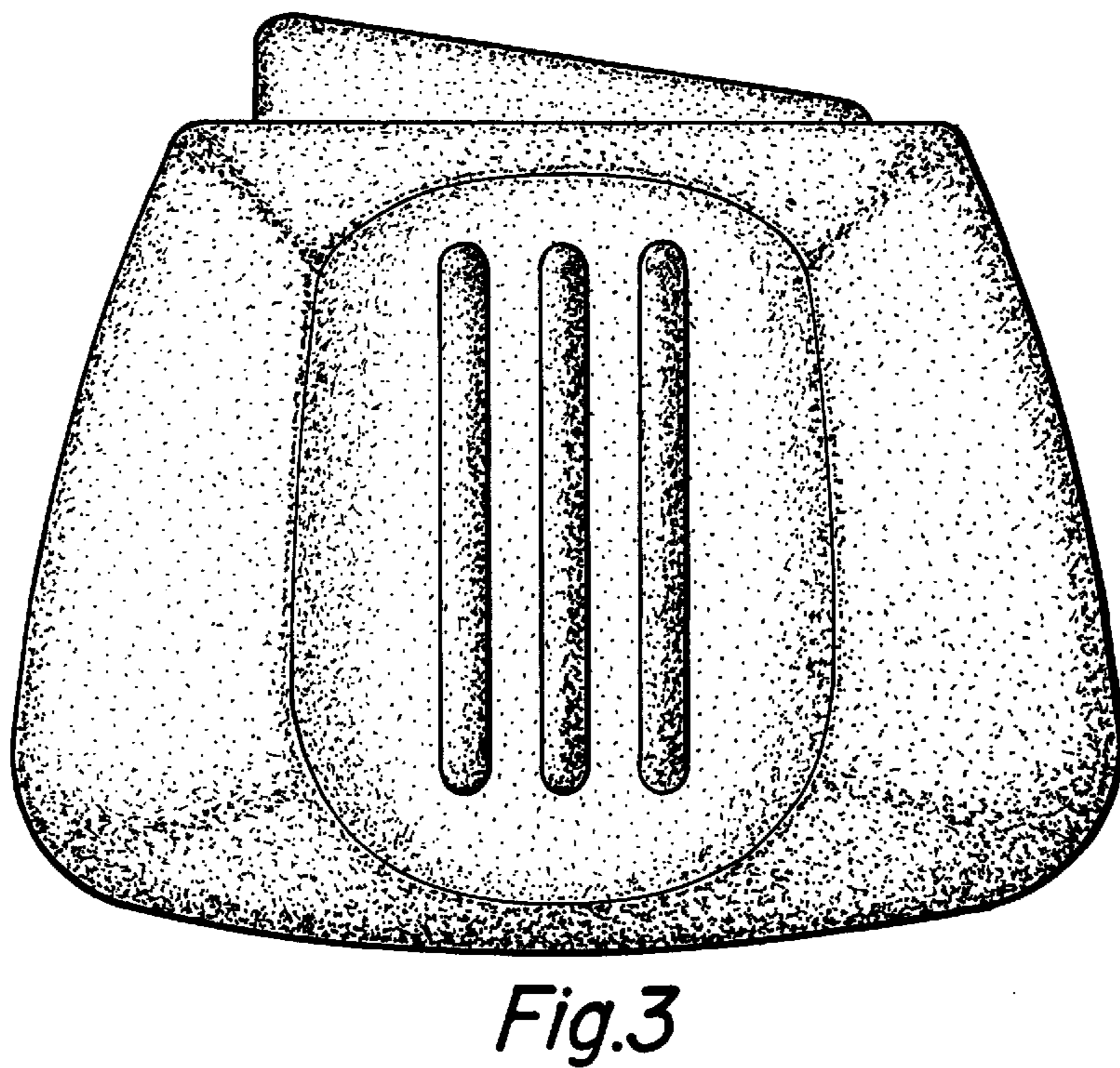
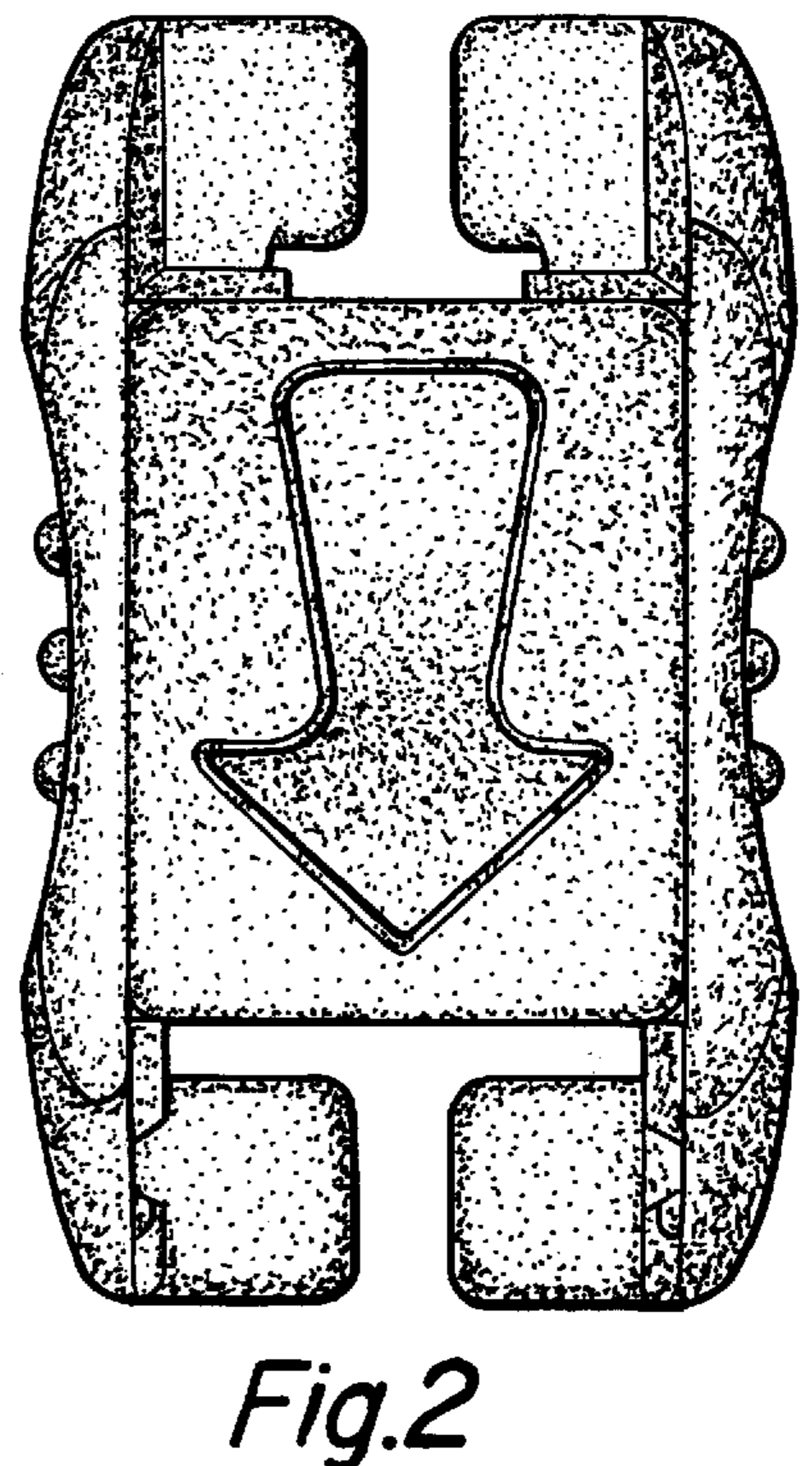
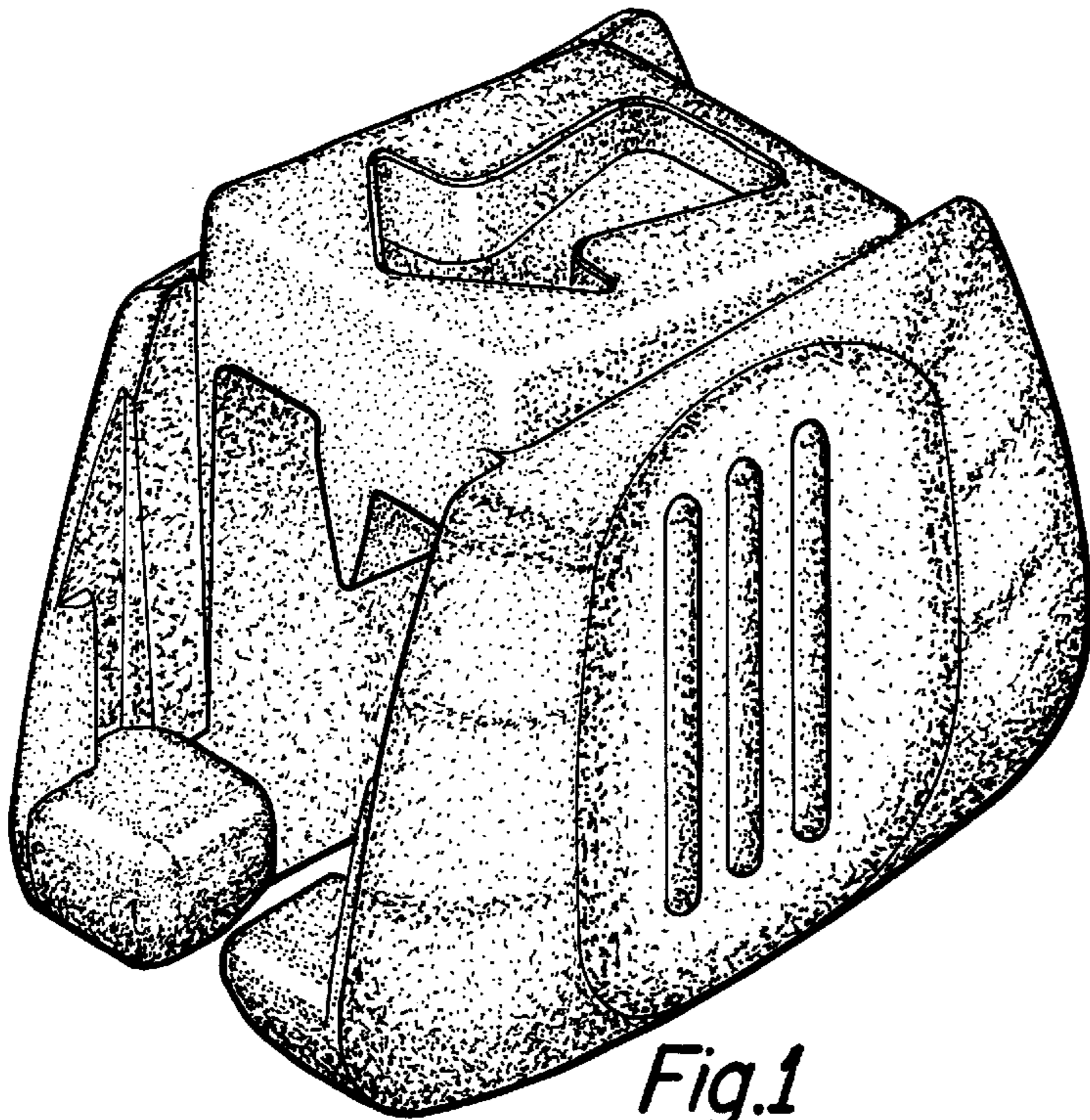
(56) **References Cited**

U.S. PATENT DOCUMENTS

D. 321,154 * 10/1991 Komuro D11/221
D. 324,355 * 3/1992 Takemura D11/221

1 Claim, 2 Drawing Sheets





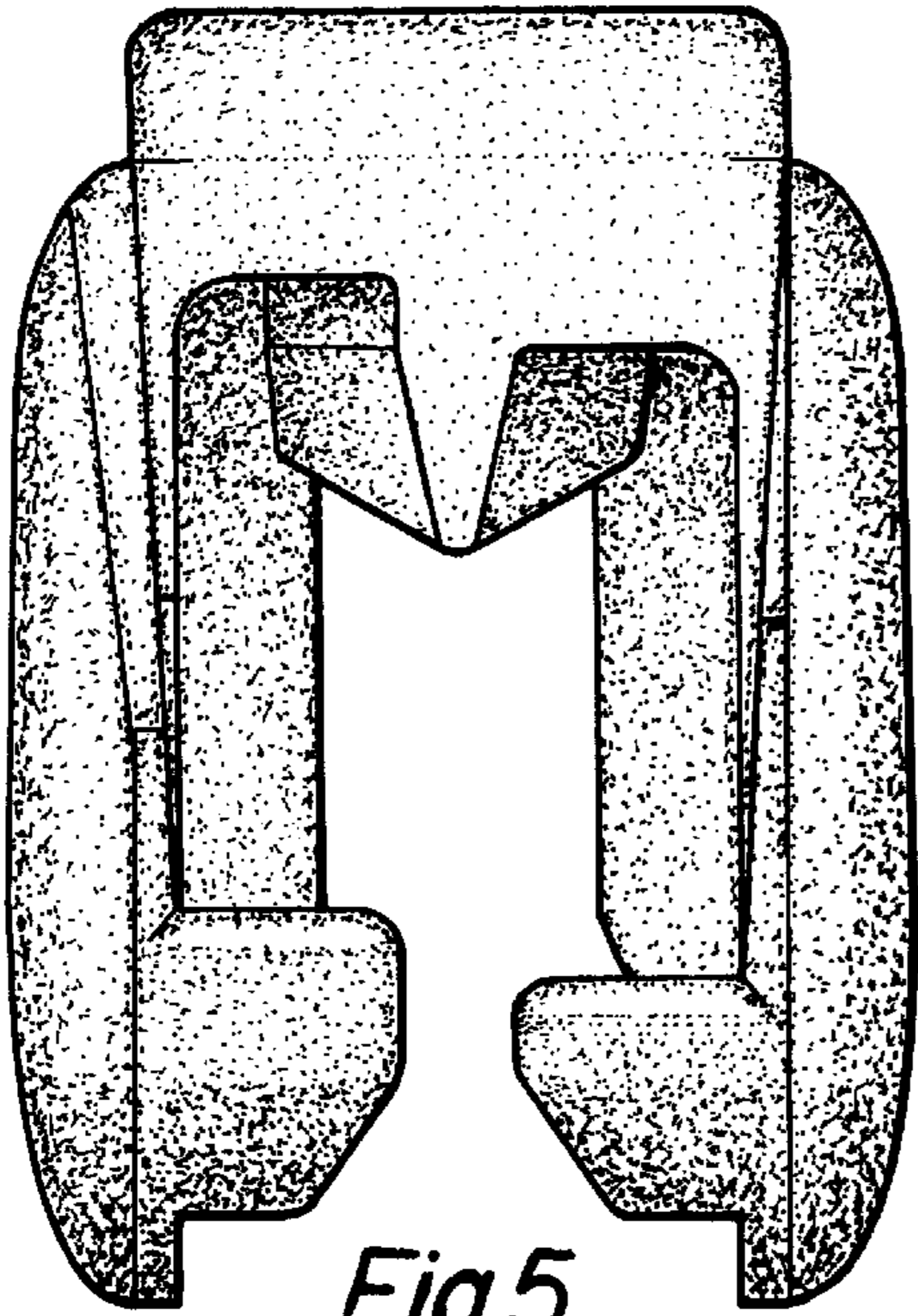


Fig.5

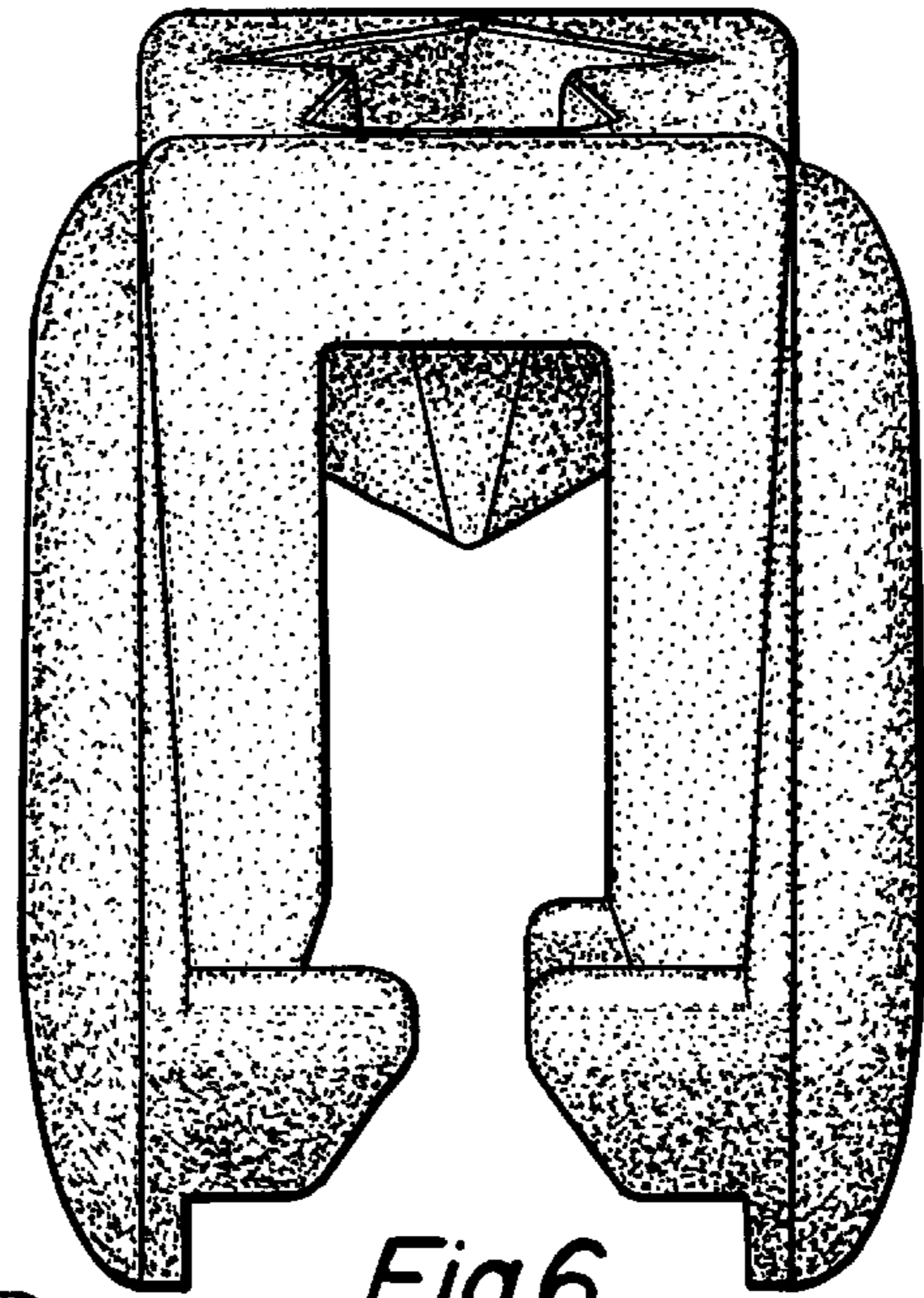


Fig.6

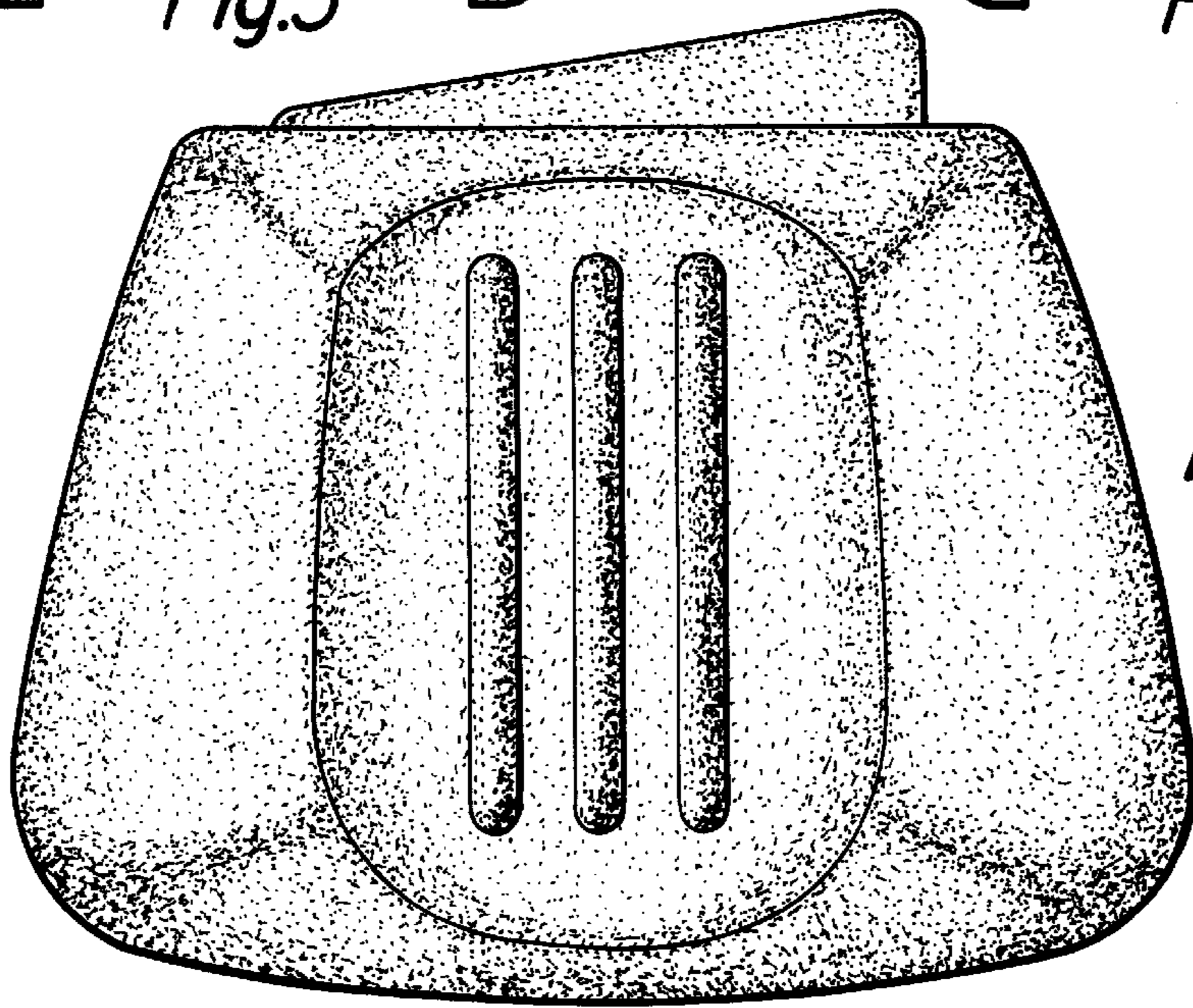


Fig.4

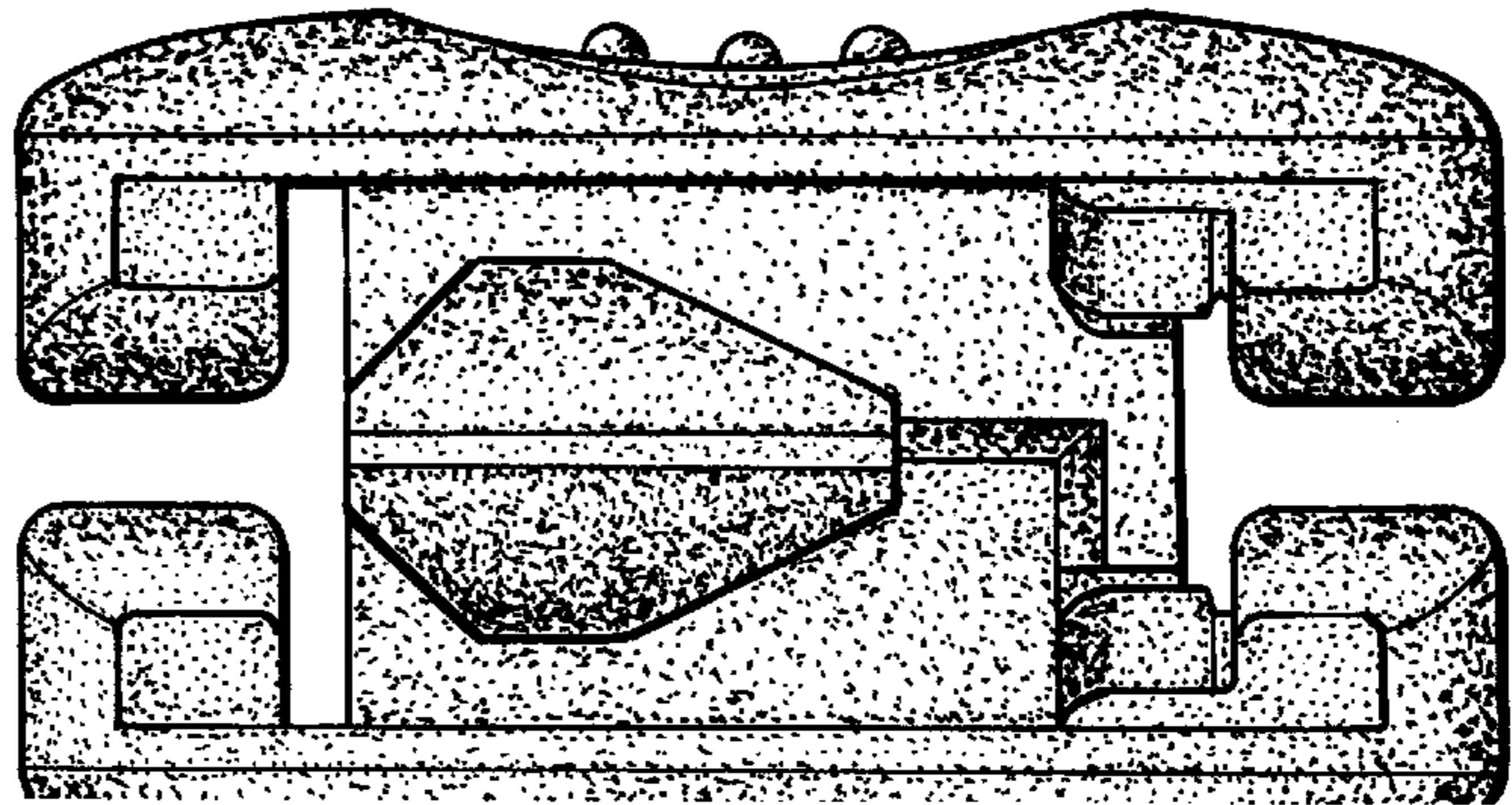


Fig.7