



US00D439860S

(12) **United States Design Patent**
Lynn

(10) **Patent No.:** **US D439,860 S**

(45) **Date of Patent:** **** Apr. 3, 2001**

(54) **INSTRUMENT FOR PRODUCING SOUND**

4,709,651 * 12/1987 Lance 116/137 R
5,813,700 * 9/1998 Vijuk et al. 283/81

(76) Inventor: **Anthony Lynn**, 8477 Regent Ave.
North, Brooklyn Park, MN (US) 55443

* cited by examiner

(**) Term: **14 Years**

Primary Examiner—Adir Aronovich

(21) Appl. No.: **29/115,332**

(57) **CLAIM**

(22) Filed: **Dec. 13, 1999**

The ornamental design for an instrument for producing sound, as shown and described.

(51) **LOC (7) Cl.** **10-05**

DESCRIPTION

(52) **U.S. Cl.** **D10/119; D17/10**

(58) **Field of Search** D10/119, 120;
D17/10, 99; D21/405, 411; 84/330; 116/137 R,
142 R; 446/202–204

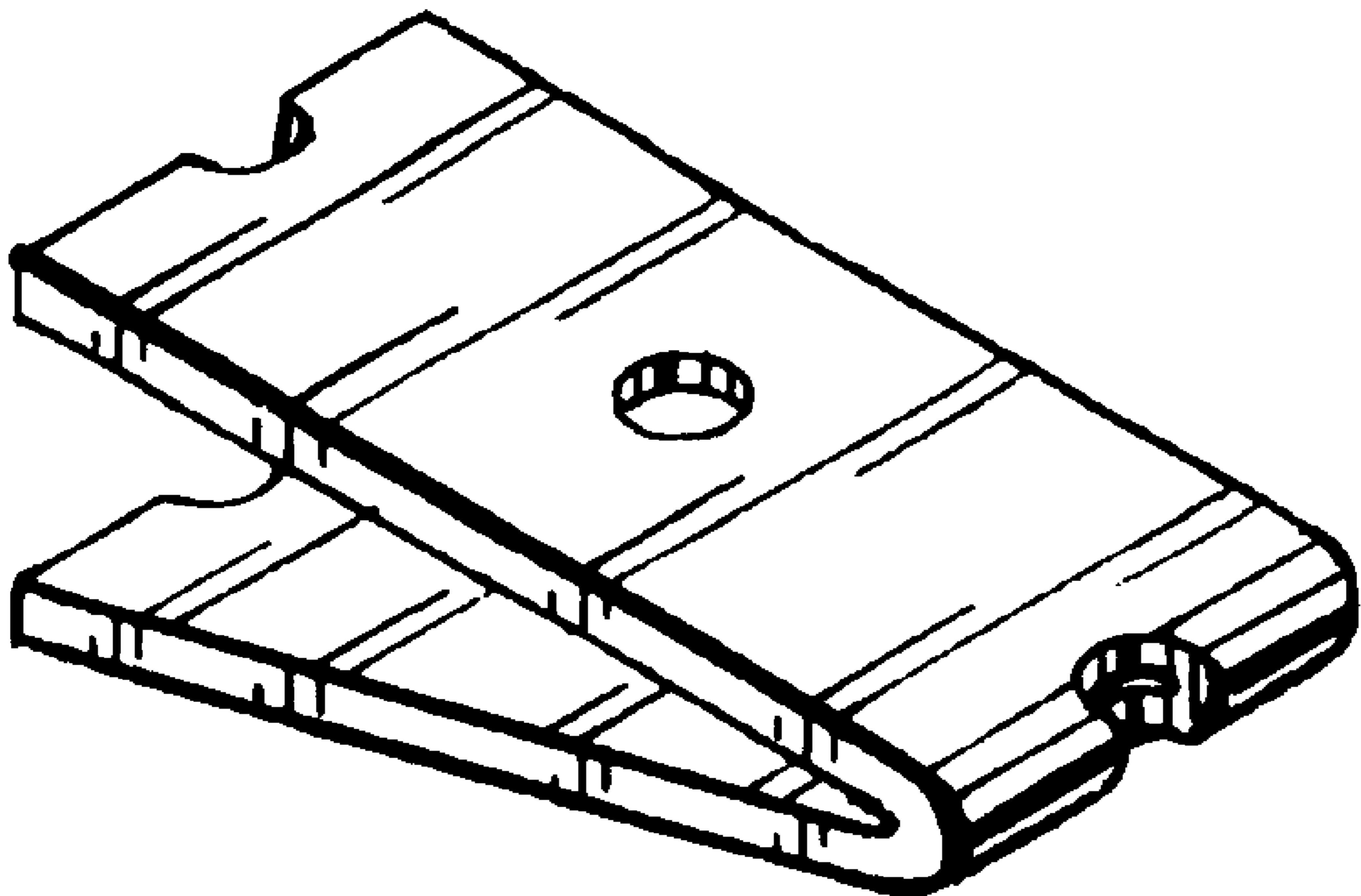
FIG. 1 is a perspective view of the instrument for producing sound, showing my new design;
FIG. 2 is a side elevational view thereof, the opposite side is a mirror image thereof;
FIG. 3 is a top plan view thereof, the bottom plan view is a mirror image thereof;
FIG. 4 is a front elevational view thereof; and,
FIG. 5 is a rear elevational view thereof.

(56) **References Cited**

U.S. PATENT DOCUMENTS

D. 137,981 * 5/1944 Hughes D10/119
733,122 * 7/1903 Bartholomew 446/204
805,817 * 11/1905 Pardoe 446/204

1 Claim, 1 Drawing Sheet



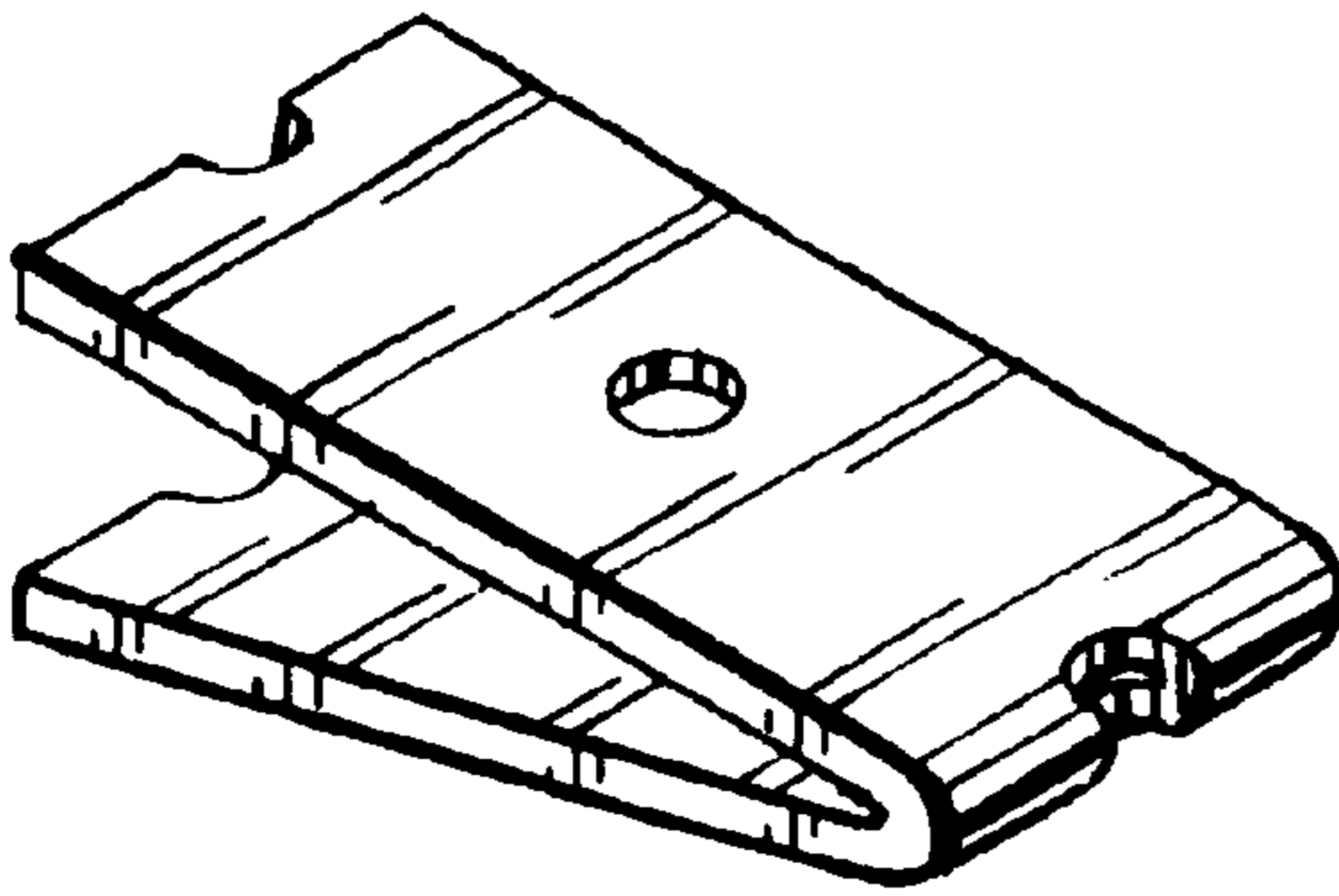


FIG. 1

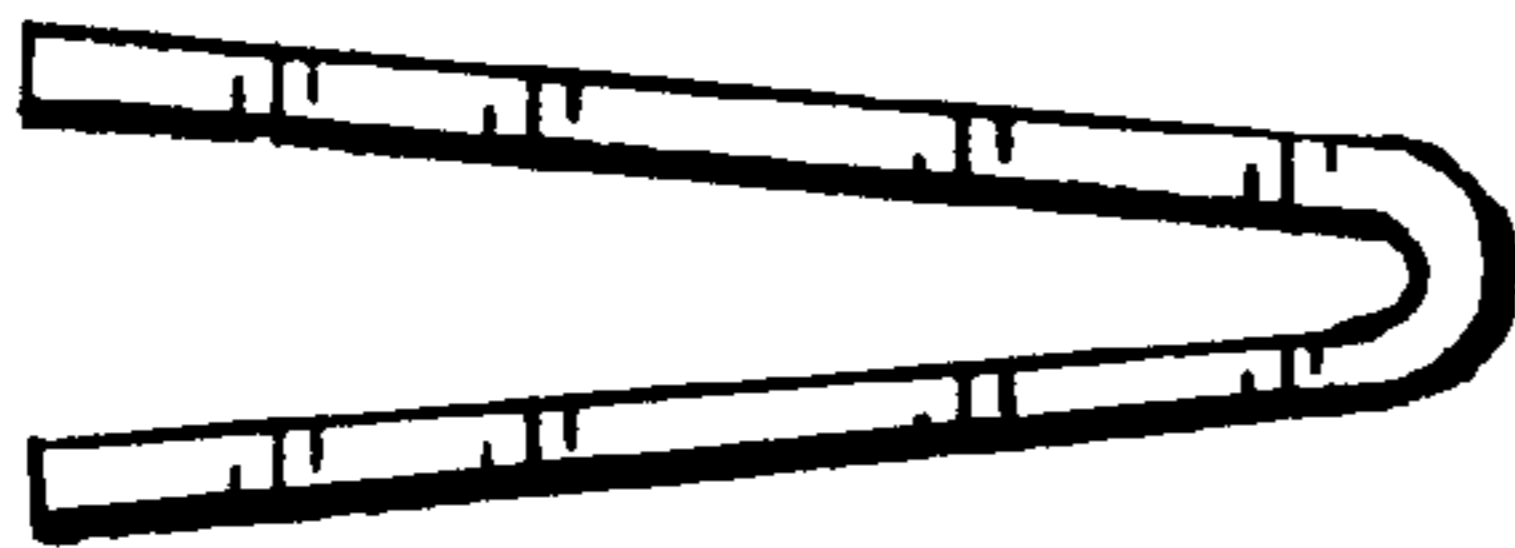


FIG. 2



FIG. 4

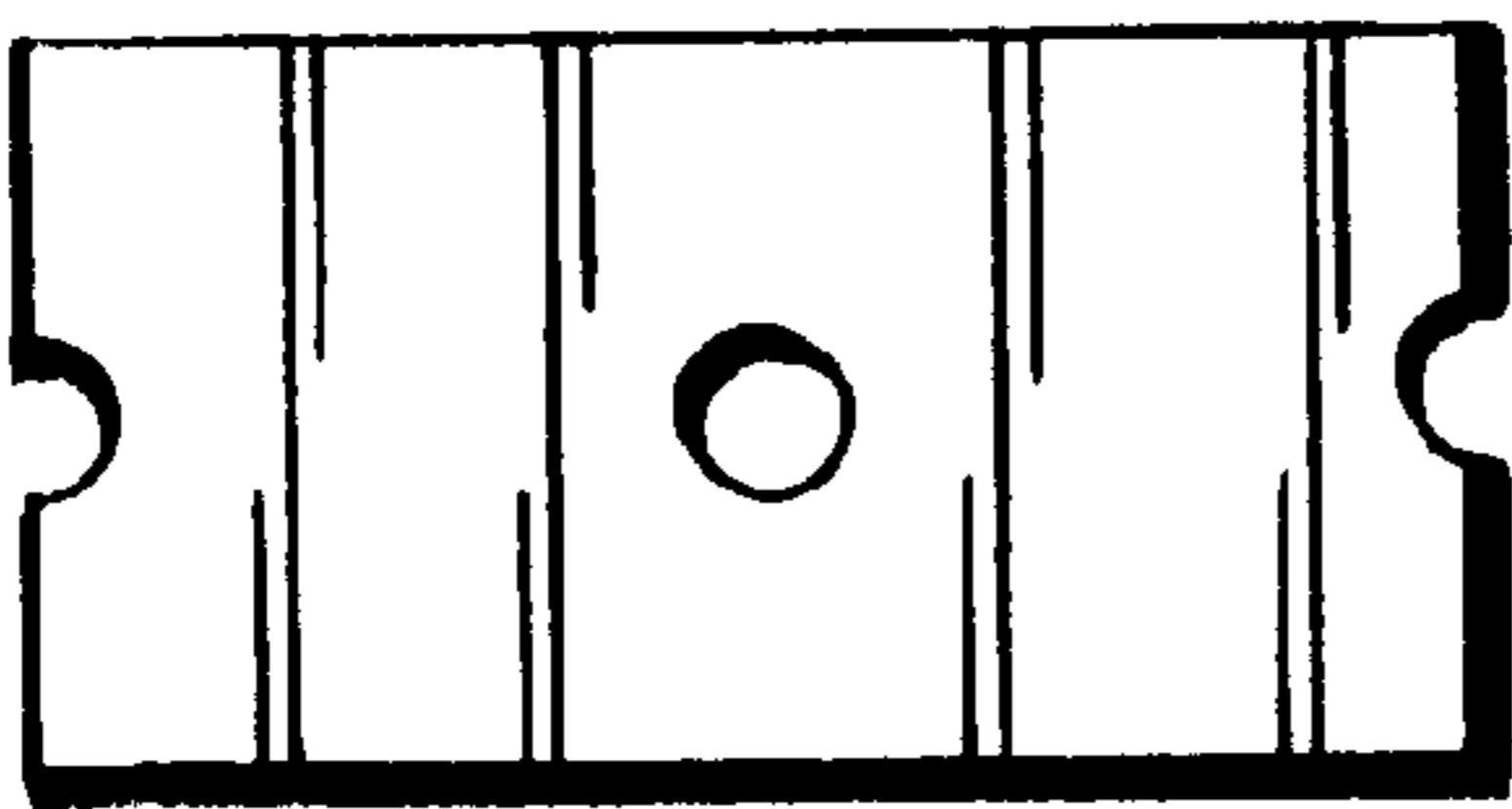


FIG. 3

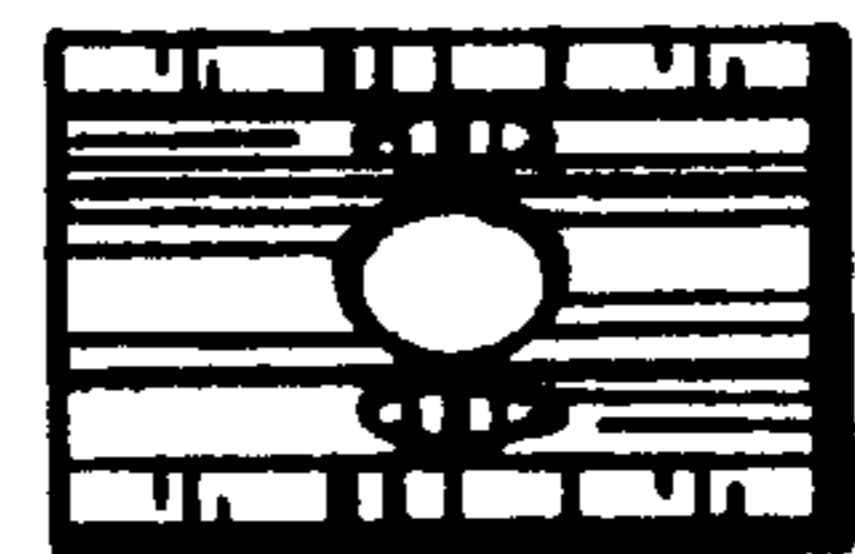


FIG. 5