



US00D439855S

(12) **United States Design Patent**  
**Caldeira**

(10) **Patent No.:** **US D439,855 S**

(45) **Date of Patent:** **\*\* Apr. 3, 2001**

(54) **SENSOR ASSEMBLY**

(75) Inventor: **Gilmar M. Caldeira**, Sertaozinho (BR)

(73) Assignee: **SMAR Research Corporation**,  
Ronkonkoma, NY (US)

(\*\*) Term: **14 Years**

(21) Appl. No.: **29/100,886**

(22) Filed: **Feb. 19, 1999**

(51) **LOC (7) Cl.** ..... **10-05**

(52) **U.S. Cl.** ..... **D10/109**

(58) **Field of Search** ..... D10/104, 109,  
D10/111, 114, 115; D20/10, 41; 116/63 R,  
63 L, 63 P; 40/1, 584, 606, 607, 608, 610,  
611, 612

(56) **References Cited**

**U.S. PATENT DOCUMENTS**

D. 357,881	*	5/1995	Chinn et al.	.....	D10/114
D. 360,846	*	8/1995	Kallionpaa	.....	D10/114
1,285,669	*	11/1918	French	.....	D10/114
1,567,871	*	12/1925	Sitz	.....	D10/114

\* cited by examiner

*Primary Examiner*—Marcus A. Jackson

(74) *Attorney, Agent, or Firm*—Kenyon & Kenyon

(57) **CLAIM**

The ornamental design for a sensor assembly, as shown and described.

**DESCRIPTION**

FIG. 1 is a front view of a first embodiment of a sensor assembly according to the present invention;

FIG. 2 is a side view of the first embodiment of the sensor assembly shown in FIG. 1;

FIG. 3 is a bottom view of the first embodiment of the sensor assembly shown in FIG. 1;

FIG. 4 is a top view of the first embodiment of the sensor assembly shown in FIG. 1;

FIG. 5 is a back view of a first variant of the first embodiment of the sensor assembly shown in FIG. 1;

FIG. 6 is a back view of a second variant of the first embodiment of the sensor assembly shown in FIG. 1;

FIG. 7 is a front view of a second embodiment of a sensor assembly according to the present invention, with the broken line showing for illustrative purposes only and forming no part of the claimed design;

FIG. 8 is a side view of the second embodiment of the sensor assembly shown in FIG. 7;

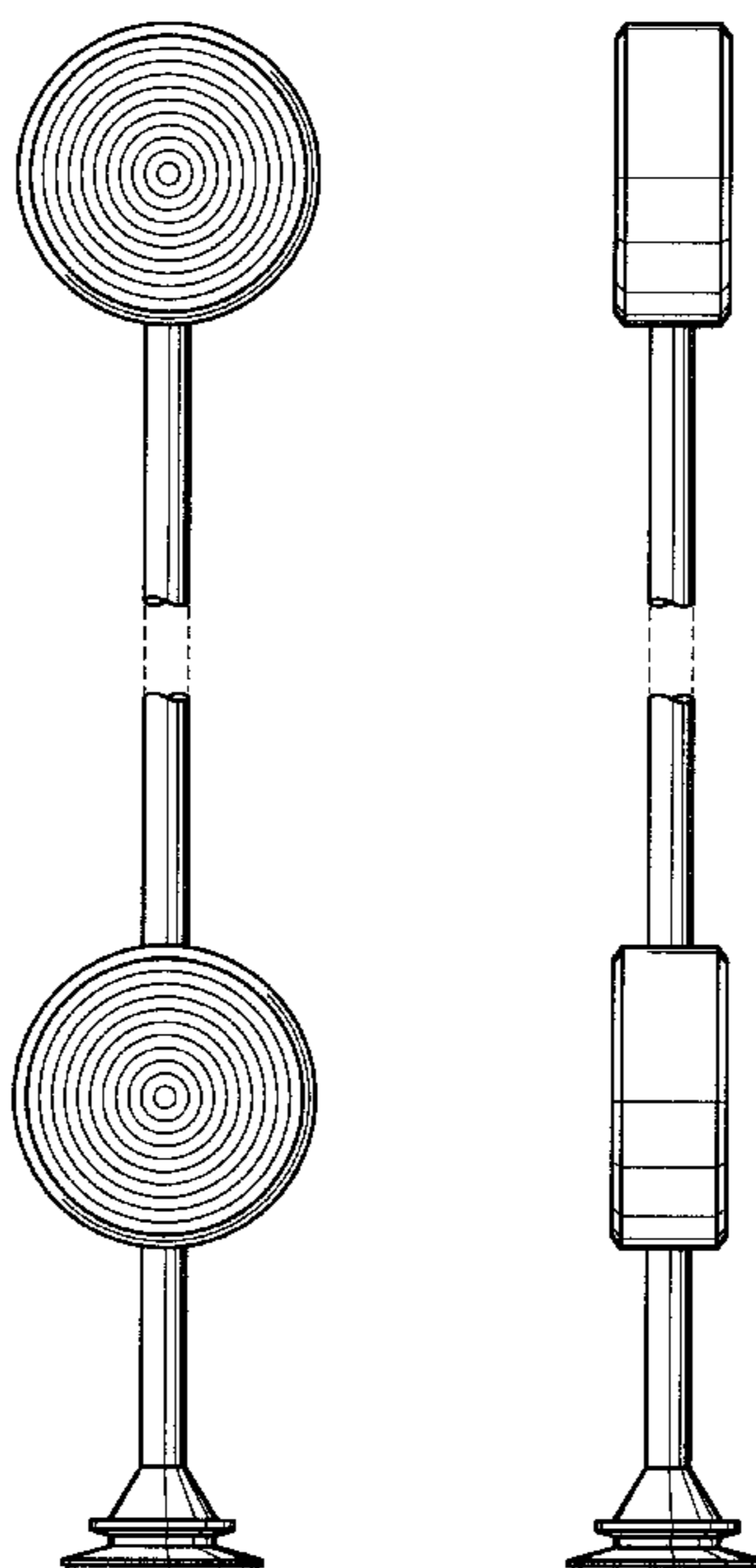
FIG. 9 is a bottom view of the second embodiment of the sensor assembly shown in FIG. 7;

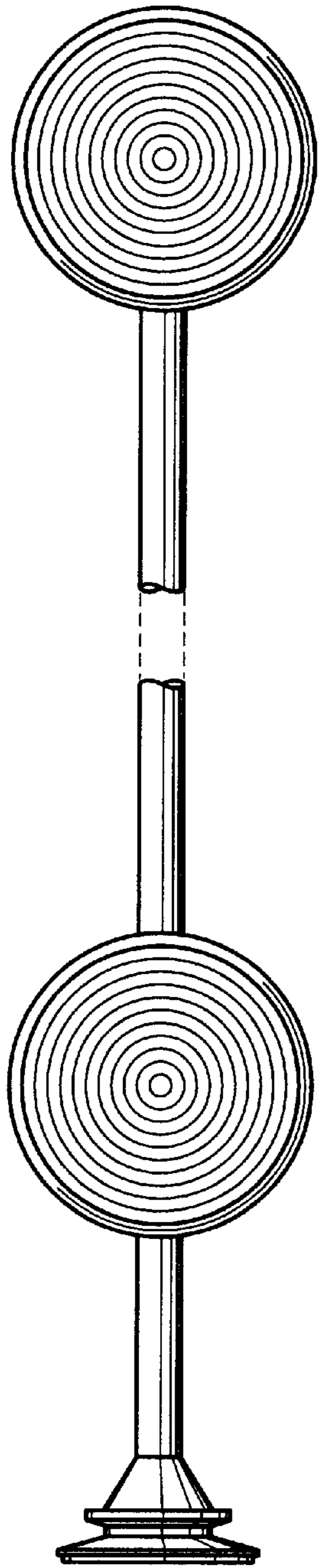
FIG. 10 is a top view of the second embodiment of the sensor assembly shown in FIG. 7;

FIG. 11 is a back view of a first variant of the second embodiment of the sensor assembly shown in FIG. 7; and,

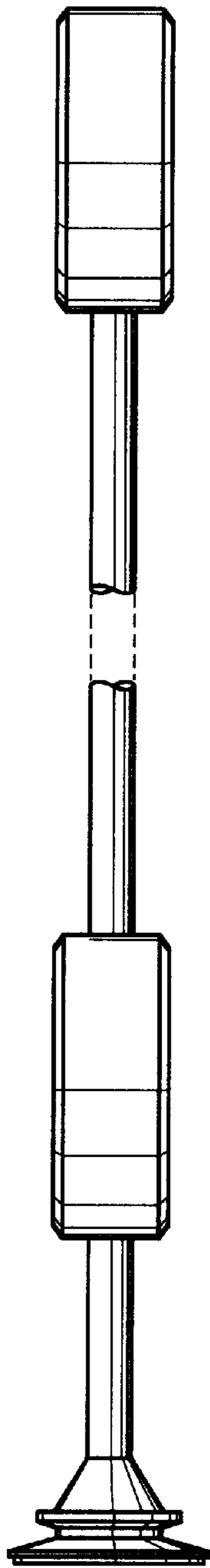
FIG. 12 is a back view of a second variant of the second embodiment of the sensor assembly shown in FIG. 7.

**1 Claim, 4 Drawing Sheets**

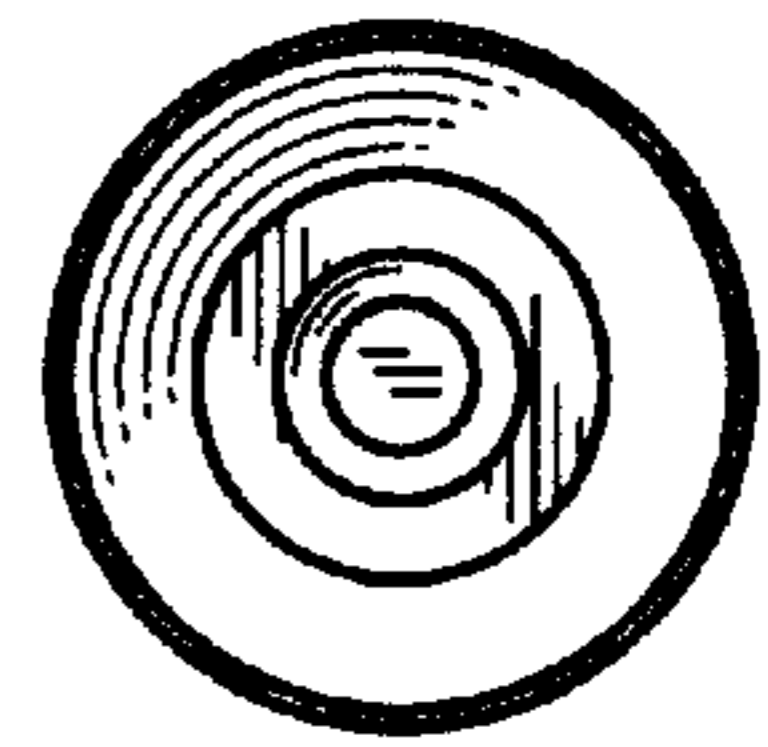




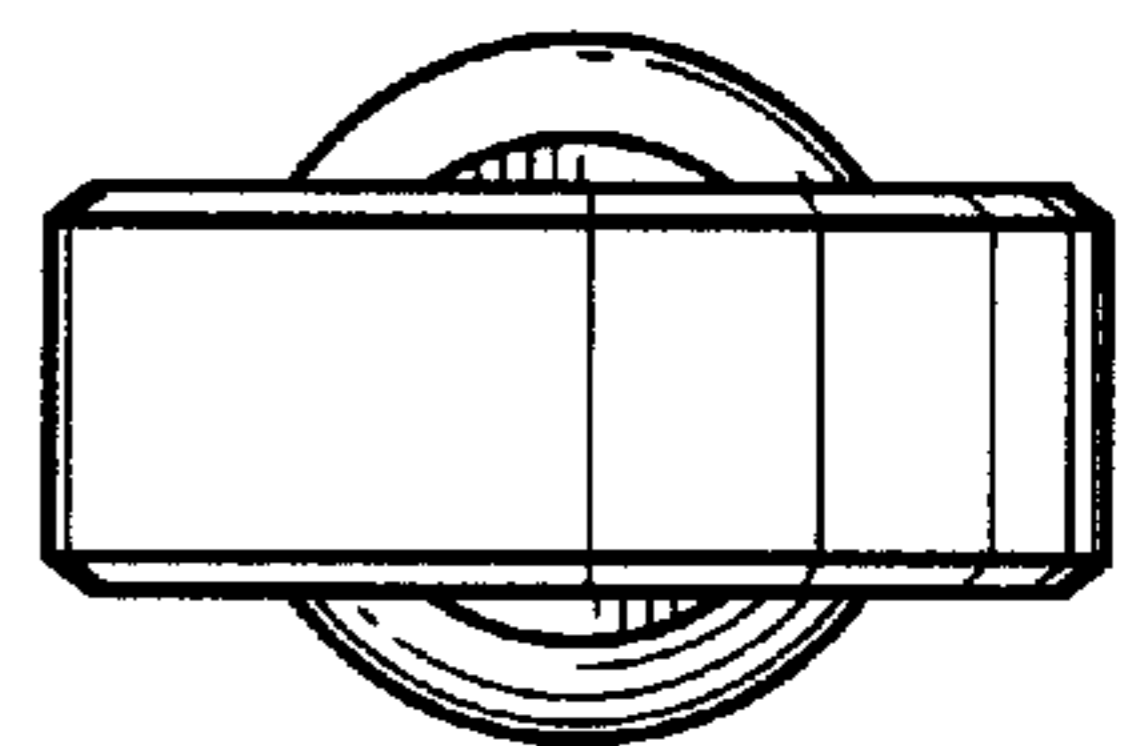
*FIG. 1*



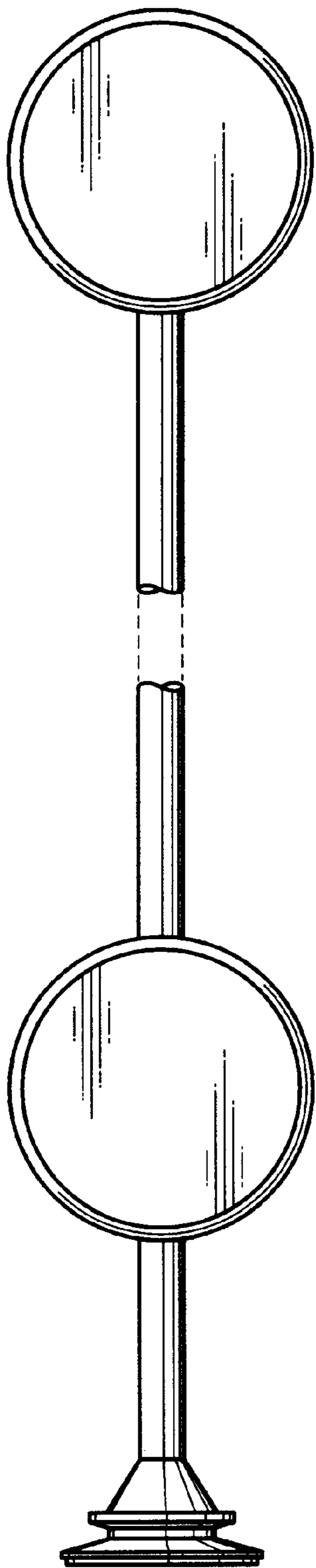
*FIG. 2*



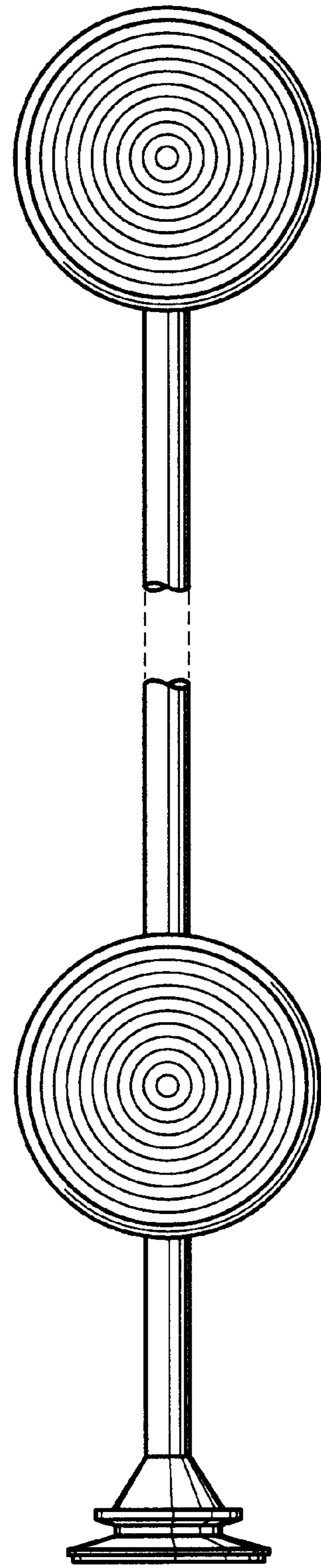
*FIG. 3*



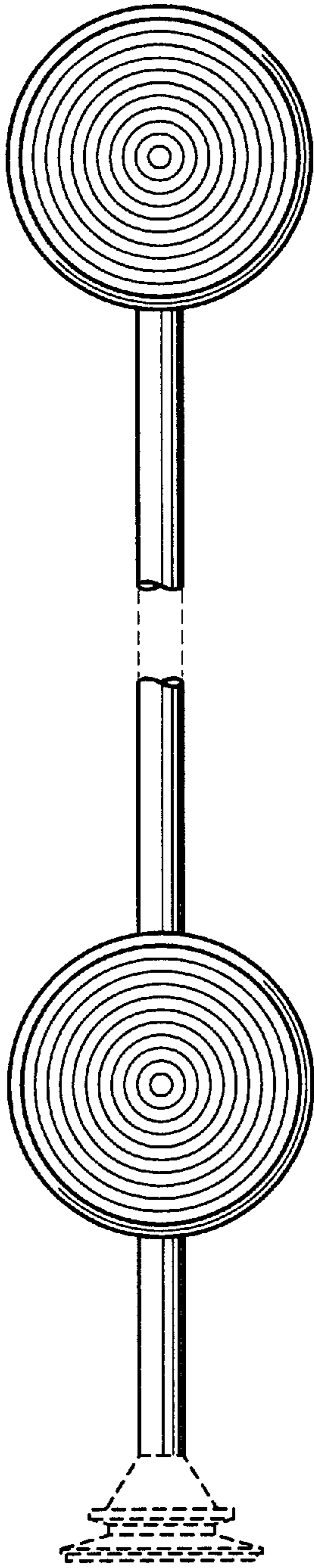
*FIG. 4*



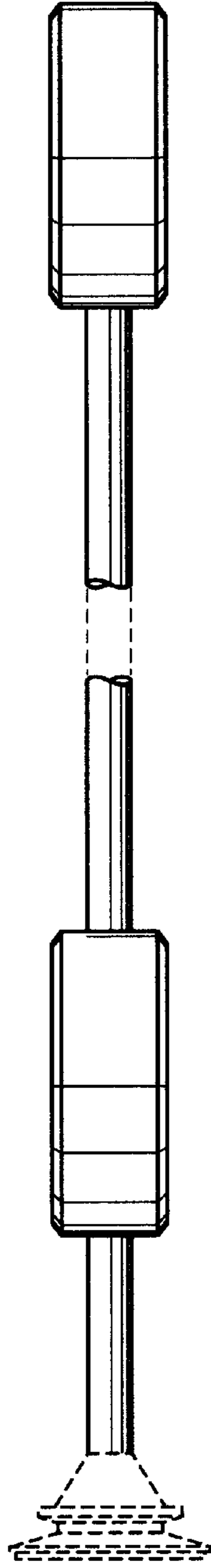
**FIG. 5**



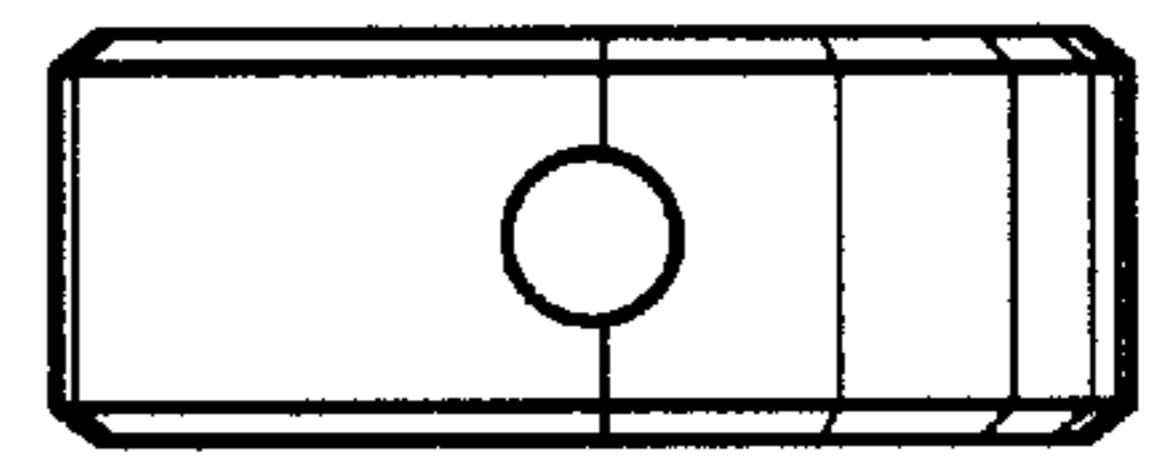
**FIG. 6**



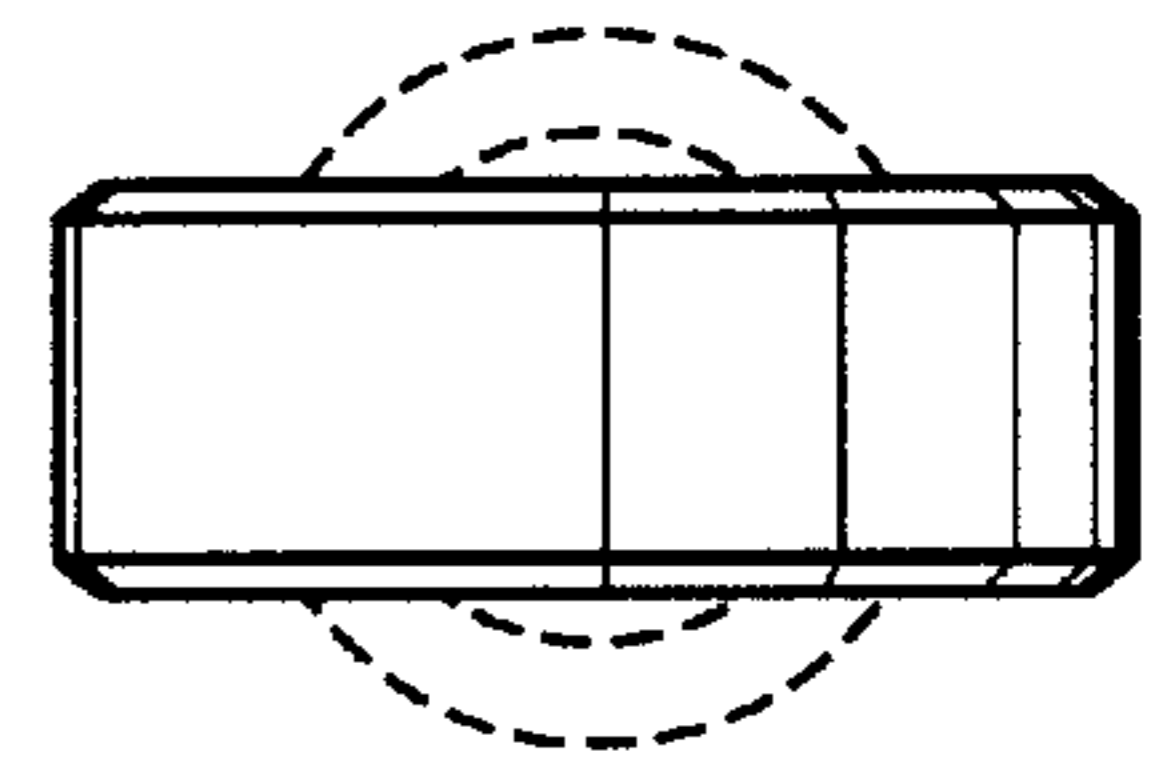
**FIG. 7**



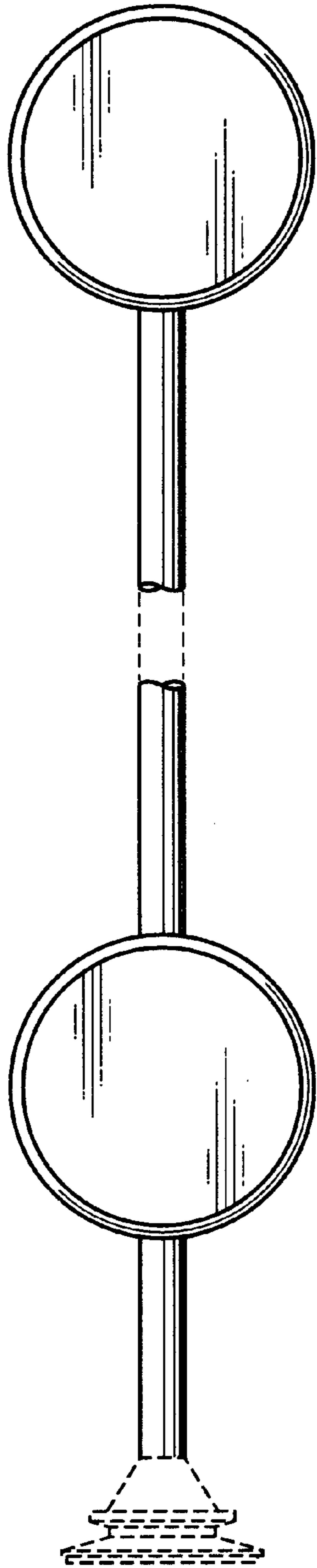
**FIG. 8**



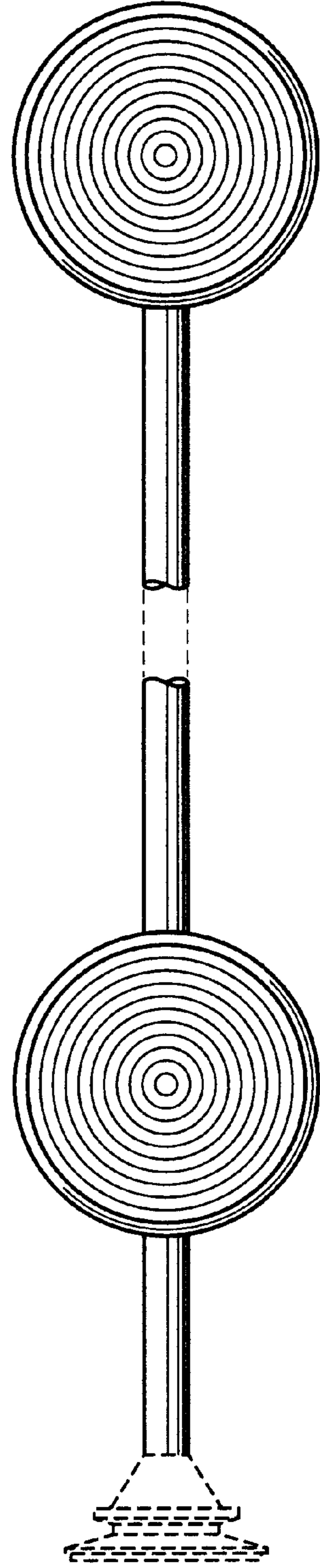
**FIG. 9**



**FIG. 10**



**FIG. 11**



**FIG. 12**