



US00D439851S

(12) **United States Design Patent** (10) **Patent No.:** **US D439,851 S**
Keeney (45) **Date of Patent:** **** Apr. 3, 2001**

- (54) **HAND-HELD COLOR MEASUREMENT INSTRUMENT**
- (75) Inventor: **Richard A. Keeney**, Minneapolis, MN (US)
- (73) Assignee: **Electronics for Imaging, Inc.**, Foster City, CA (US)
- (**) Term: **14 Years**
- (21) Appl. No.: **29/120,892**
- (22) Filed: **Mar. 28, 2000**
- (51) **LOC (7) Cl.** **10-04**
- (52) **U.S. Cl.** **D10/81; D10/78**
- (58) **Field of Search** **D10/78, 81, 46; 356/326.73, 402-422, 435, 434, 433, 432; 385/146**

GretagMacbeth, Spectrolino Spectrophotometer brochure, part No. 98.42.49 en, Mar. 1998.

* cited by examiner

Primary Examiner—Antoine Duval Davis
(74) *Attorney, Agent, or Firm*—Barry R. Lipsitz

(57) **CLAIM**

The ornamental design for a hand-held color measurement instrument, as shown and described.

DESCRIPTION

FIG. 1 is a top, front and right side perspective view of the hand-held color measurement instrument;

FIG. 2 is a top, back and right side view of the hand-held color measurement instrument;

FIG. 3 is a top plan view of the hand-held color measurement instrument;

FIG. 4 is a right side view of the hand-held color measurement instrument;

FIG. 5 is a front elevation of the hand-held color measurement instrument;

FIG. 6 is a rear elevation of the hand-held color measurement instrument; and,

FIG. 7 is a bottom plan view of the hand-held color measurement instrument.

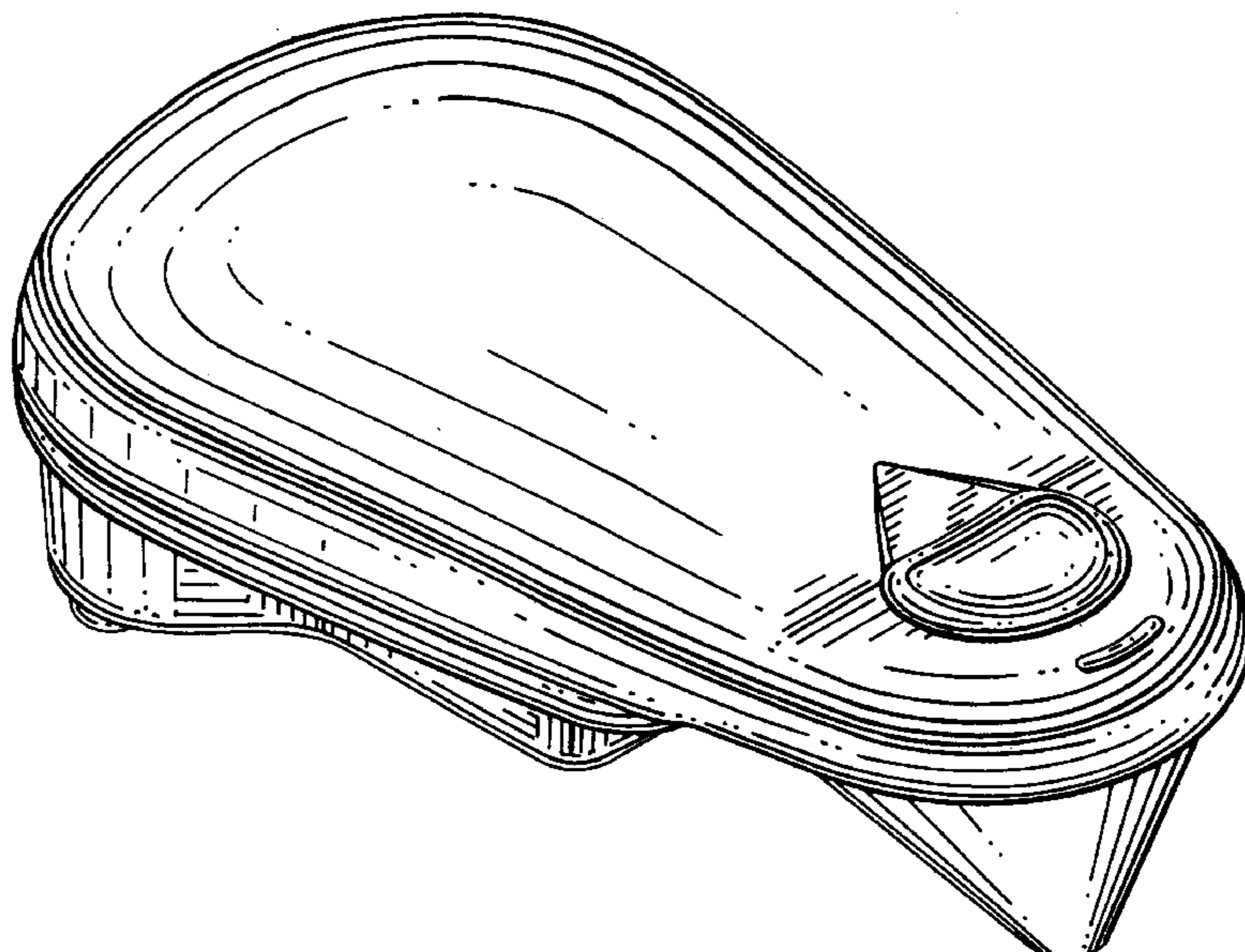
- (56) **References Cited**
- U.S. PATENT DOCUMENTS
- D. 336,444 * 6/1993 Anderson et al. D10/81
- D. 403,259 * 12/1998 Tsobota et al. D10/81
- D. 421,401 * 3/2000 Schwarz et al. D10/81
- 5,373,364 * 12/1994 Krzyminski 356/405
- 5,701,175 * 12/1997 Kostizak et al. 356/402 X
- 5,754,283 * 5/1998 Keane et al. 356/73
- 5,774,209 * 6/1998 Shestock 356/73
- 5,825,486 * 10/1998 Zavislan et al. 356/326
- 6,002,488 * 12/1999 Berg et al. 356/419

OTHER PUBLICATIONS

Management Grapics, Inc., EDOX Mousitometer brochure, ©1998.

Color Savvy Systems Limited, ColorMouseToo!, Instrumentation Technical brochure, CM2 V6.0a Spec RevA, Aug. 1998.

1 Claim, 3 Drawing Sheets



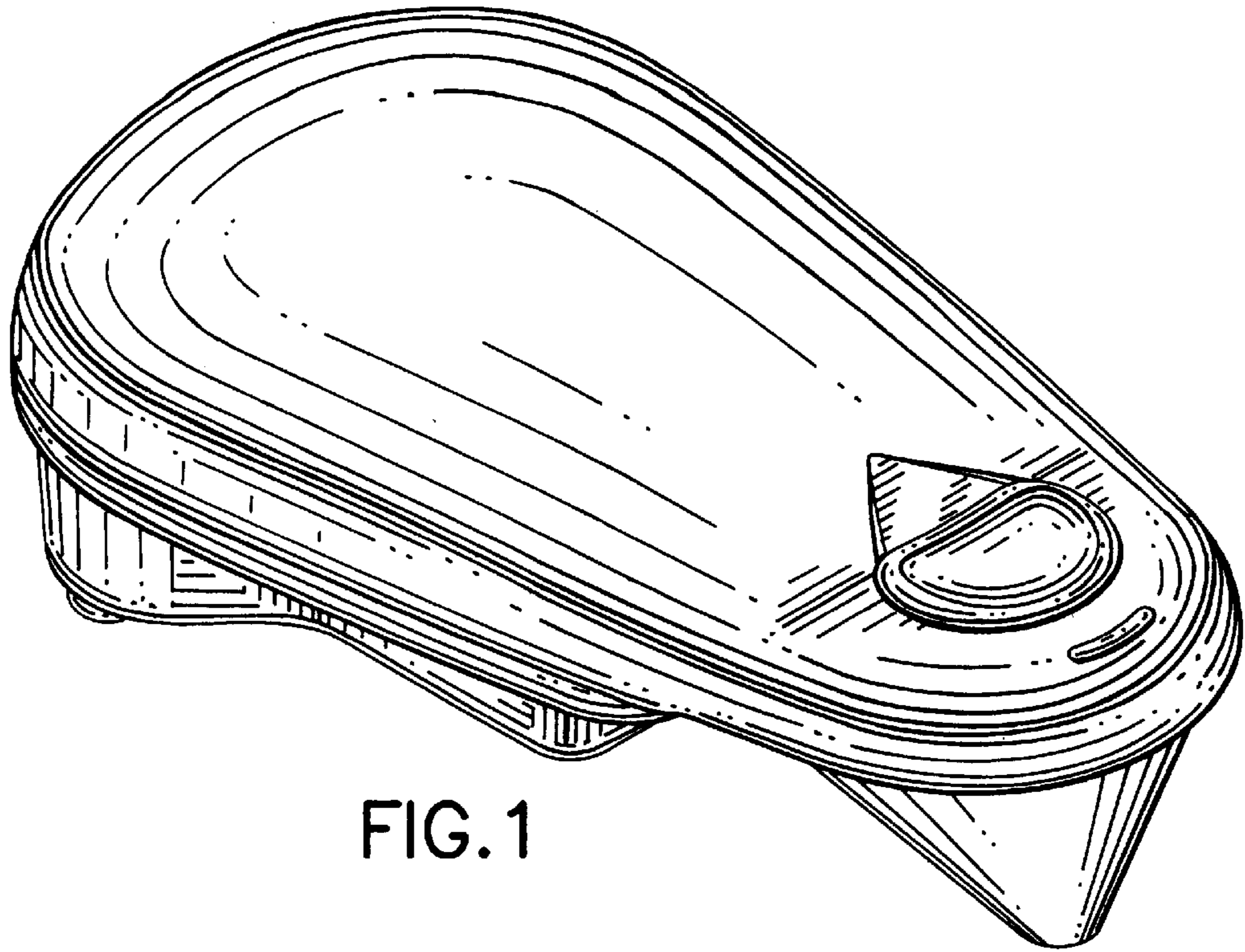


FIG. 1

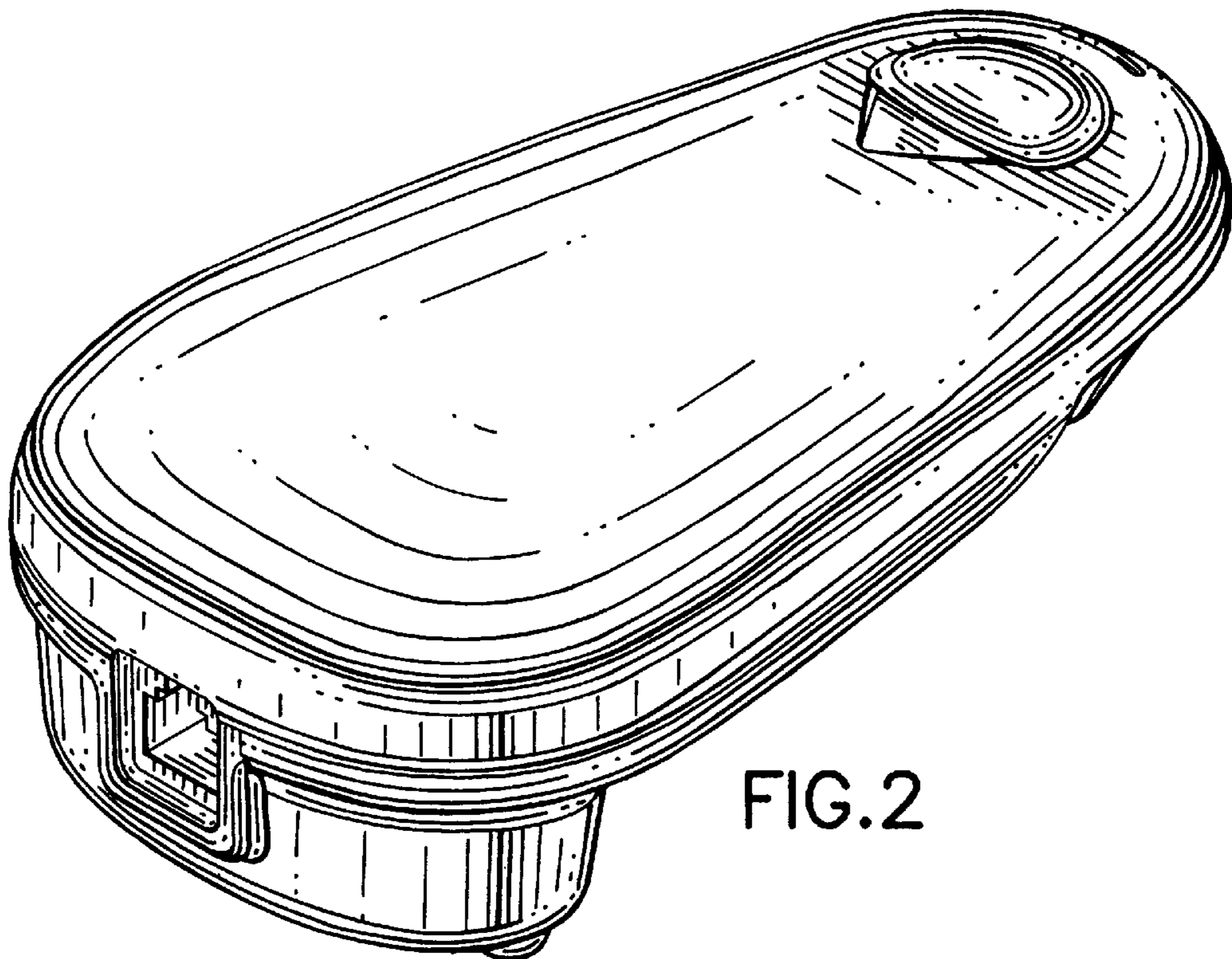


FIG. 2

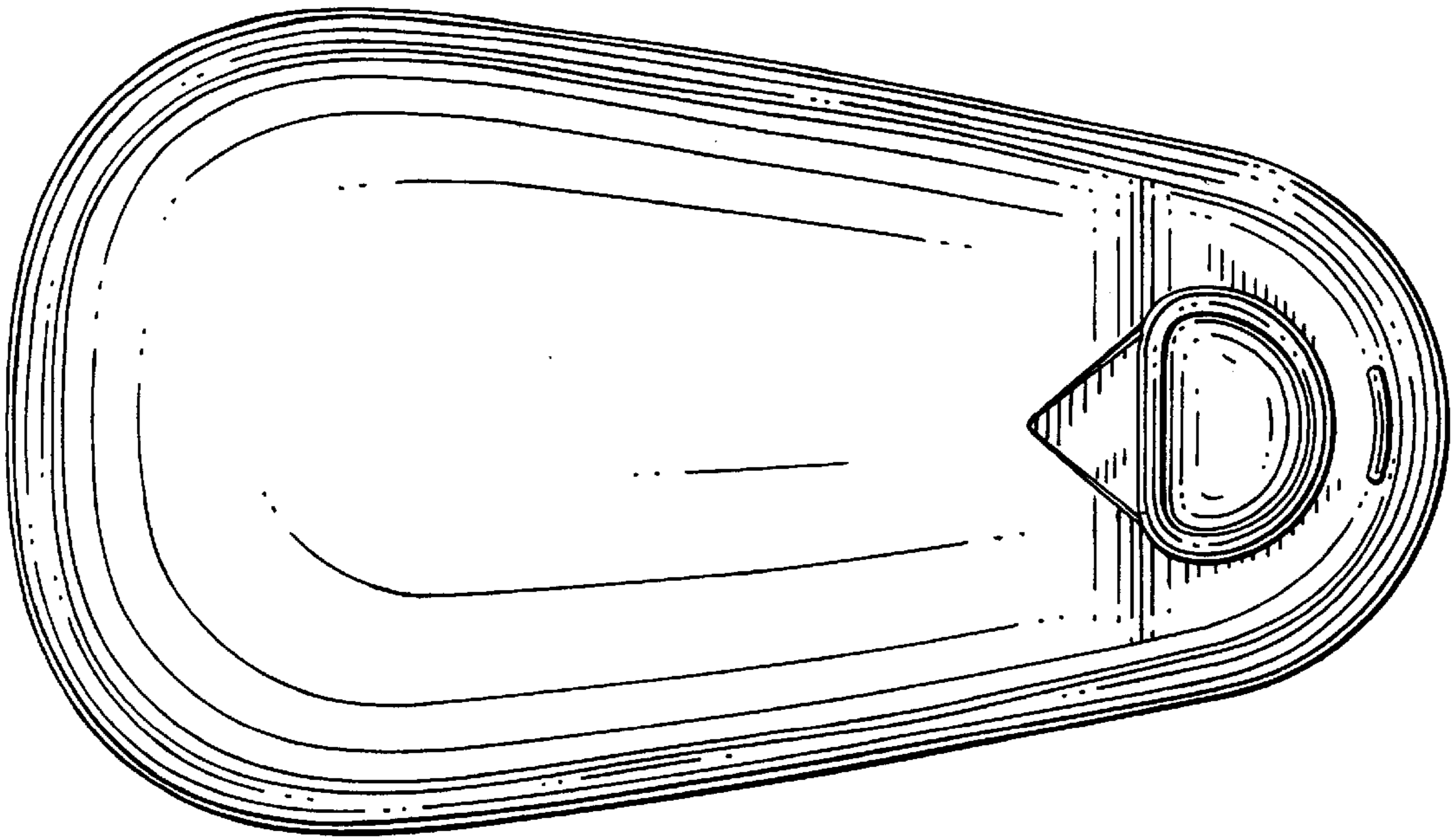


FIG.3

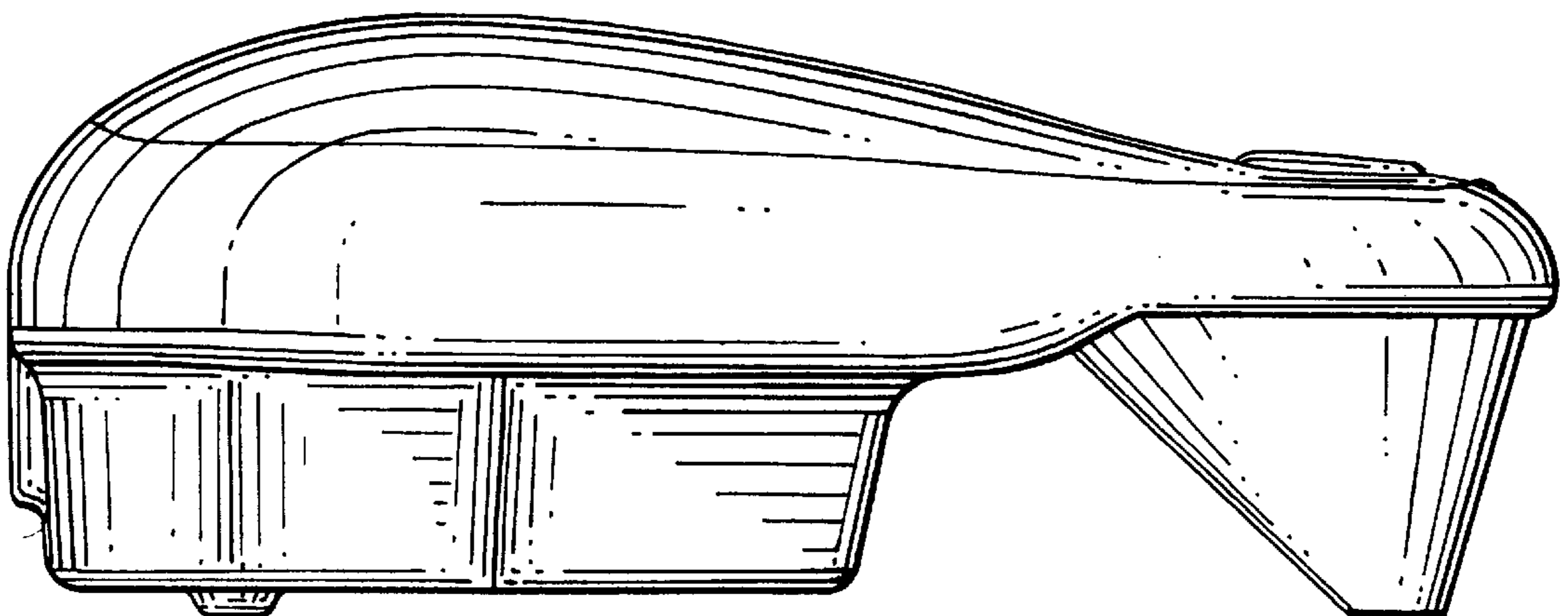


FIG.4

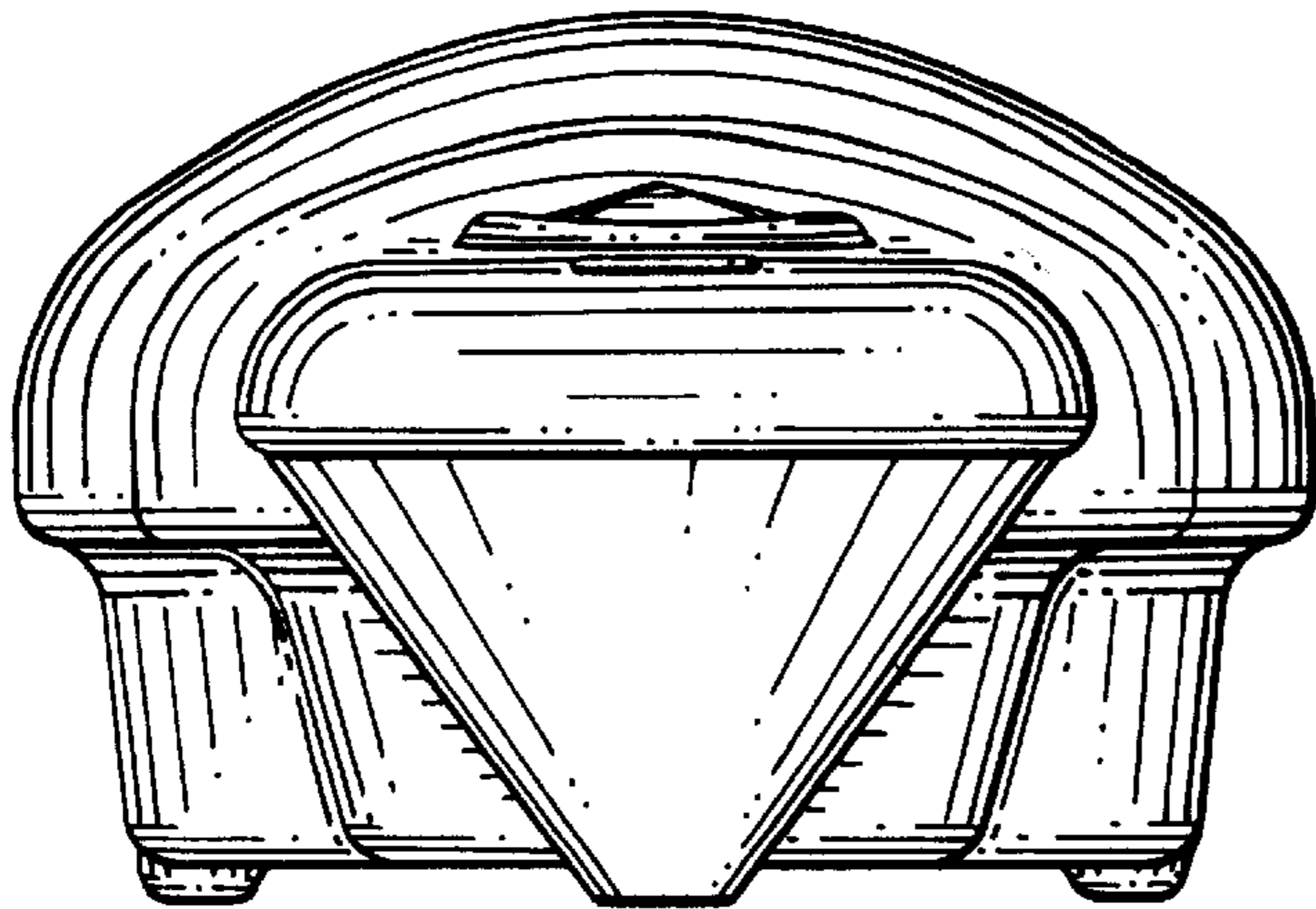


FIG. 5

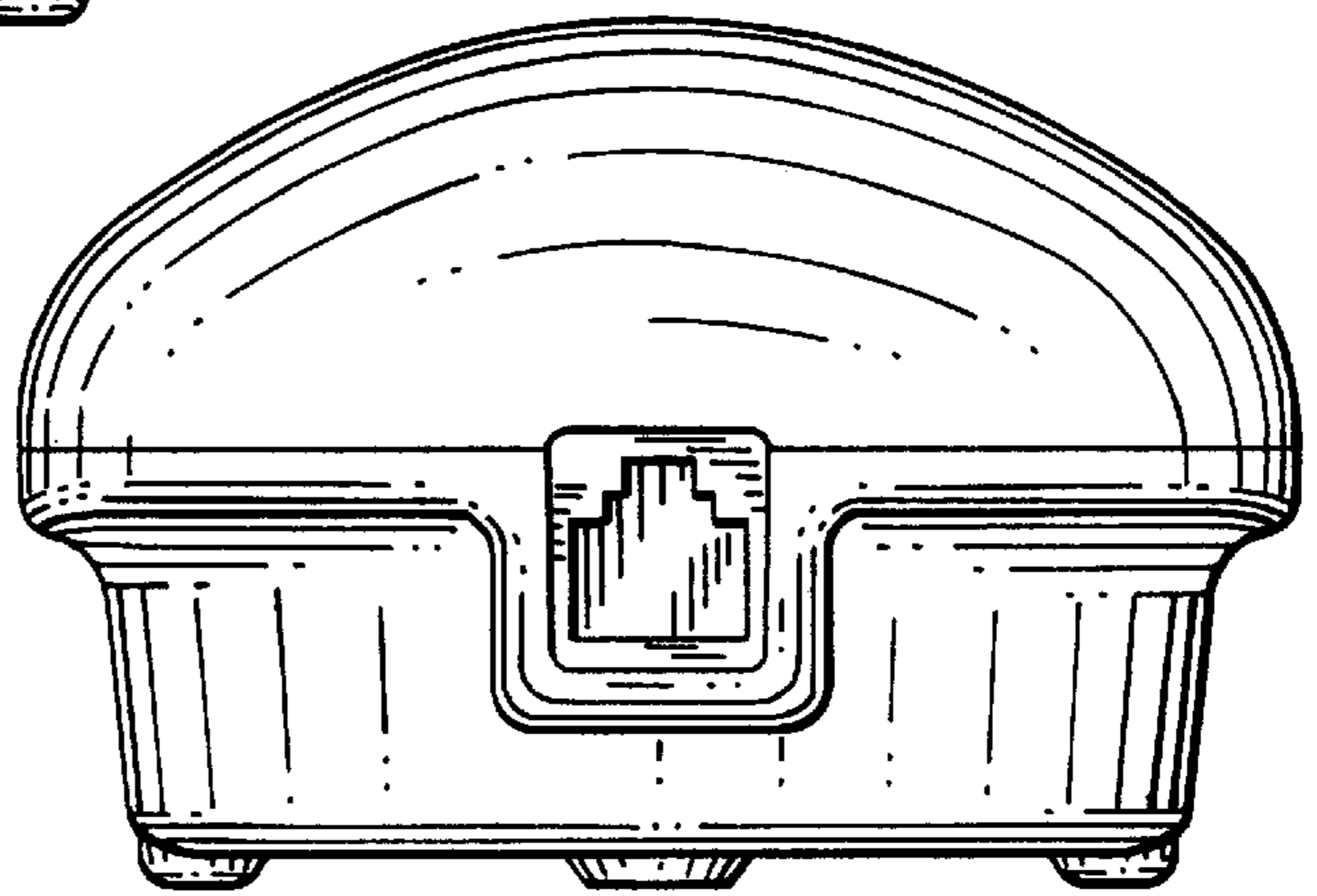


FIG. 6

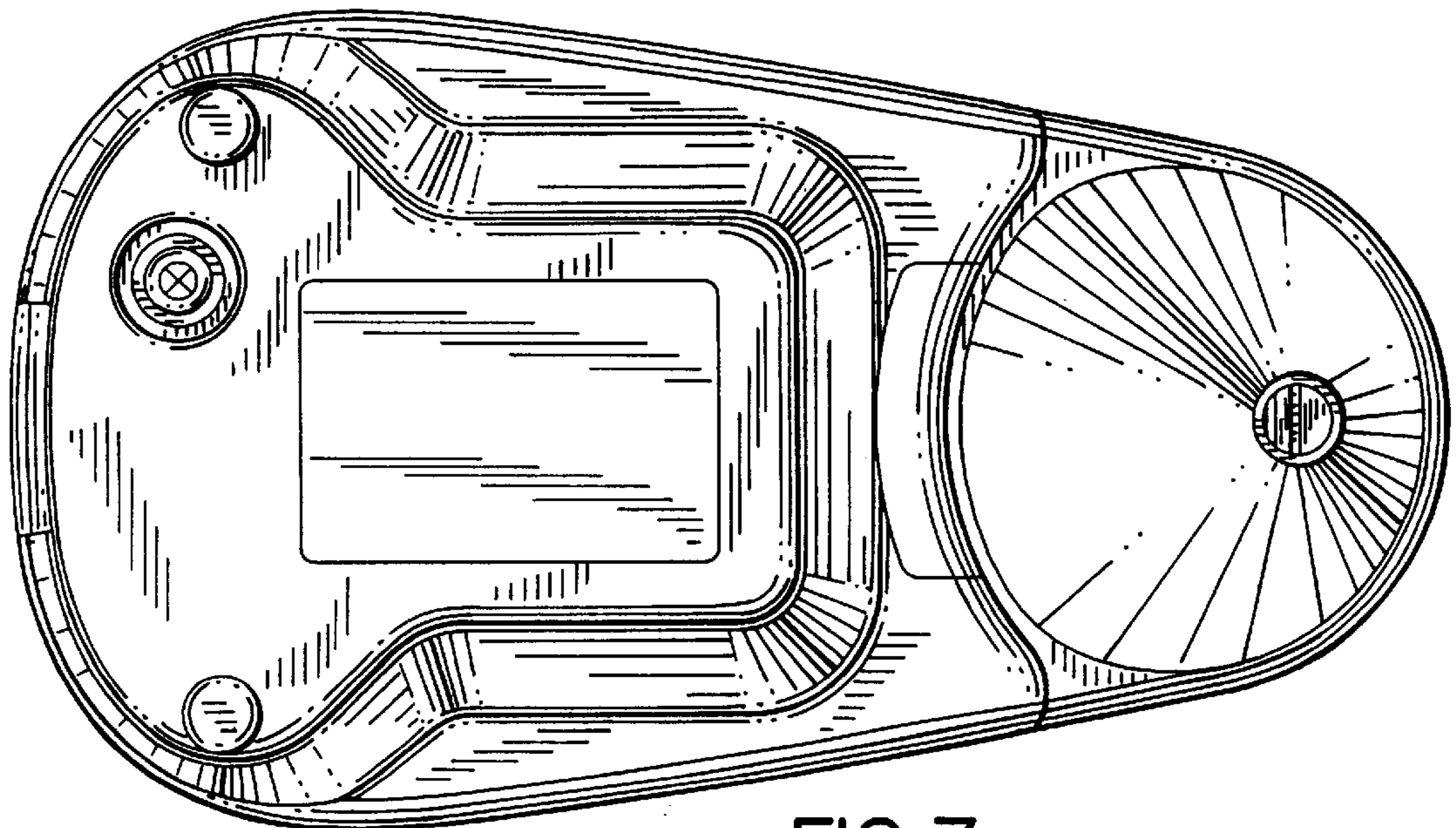


FIG. 7