



US00D439841S

(12) **United States Design Patent**
Walther et al.

(10) **Patent No.:** **US D439,841 S**

(45) **Date of Patent:** **** Apr. 3, 2001**

(54) **DISPENSING DEVICE**

(75) Inventors: **John Dwayne Walther**, Loveland, OH (US); **Christophe Nicolas Degoix**, Brussels (BE); **Stephen William Sikra**, Erlanger, KY (US); **Felix James Scarlett**, SouthHeath (GB)

(73) Assignee: **The Procter & Gamble Company**, Cincinnati, OH (US)

(**) Term: **14 Years**

(21) Appl. No.: **29/109,484**

(22) Filed: **Aug. 16, 1999**

(51) **LOC (7) Cl.** **09-07**

(52) **U.S. Cl.** **D9/447**

(58) **Field of Search** D9/434, 435, 439, D9/444-5, 447-8, 300, 503-4, 529; D23/225; 215/260; 220/915; 239/333, 337; 222/1, 153.1, 153.11, 182, 402.11, 402.13, 402.14, 402.21, 494, 546; 401/186, 209, 316

(56) **References Cited**

U.S. PATENT DOCUMENTS

D. 143,264 * 12/1945 Boe D9/300
D. 204,827 * 5/1966 Abramson D9/300

D. 233,593 * 11/1974 Chatham D9/300
D. 338,622 * 8/1993 Van Leer D9/435
D. 352,890 * 11/1994 Weiss D9/300
D. 382,812 * 8/1997 Kokenge et al. D9/543
D. 397,420 * 8/1998 Campbell D23/225
D. 419,871 * 2/2000 Hall et al. D9/434
3,940,025 * 2/1976 Anderson 222/182
5,887,753 * 3/1999 Poolman 222/494

* cited by examiner

Primary Examiner—Robert M. Spear

(74) *Attorney, Agent, or Firm*—C. Brant Cook; Kim William Zerby; Steven W. Miller

(57) **CLAIM**

The ornamental design for a dispensing device, as shown and described.

DESCRIPTION

FIG. 1 is a perspective view of a dispensing device, embodying the new design;
FIG. 2 is a side elevational view thereof, the opposite side elevational view thereof being a mirror image thereof;
FIG. 3 is a top planar view thereof;
FIG. 4 is a bottom planar view thereof;
FIG. 5 is a front elevational view thereof; and,
FIG. 6 is a rear elevational view thereof.

1 Claim, 3 Drawing Sheets

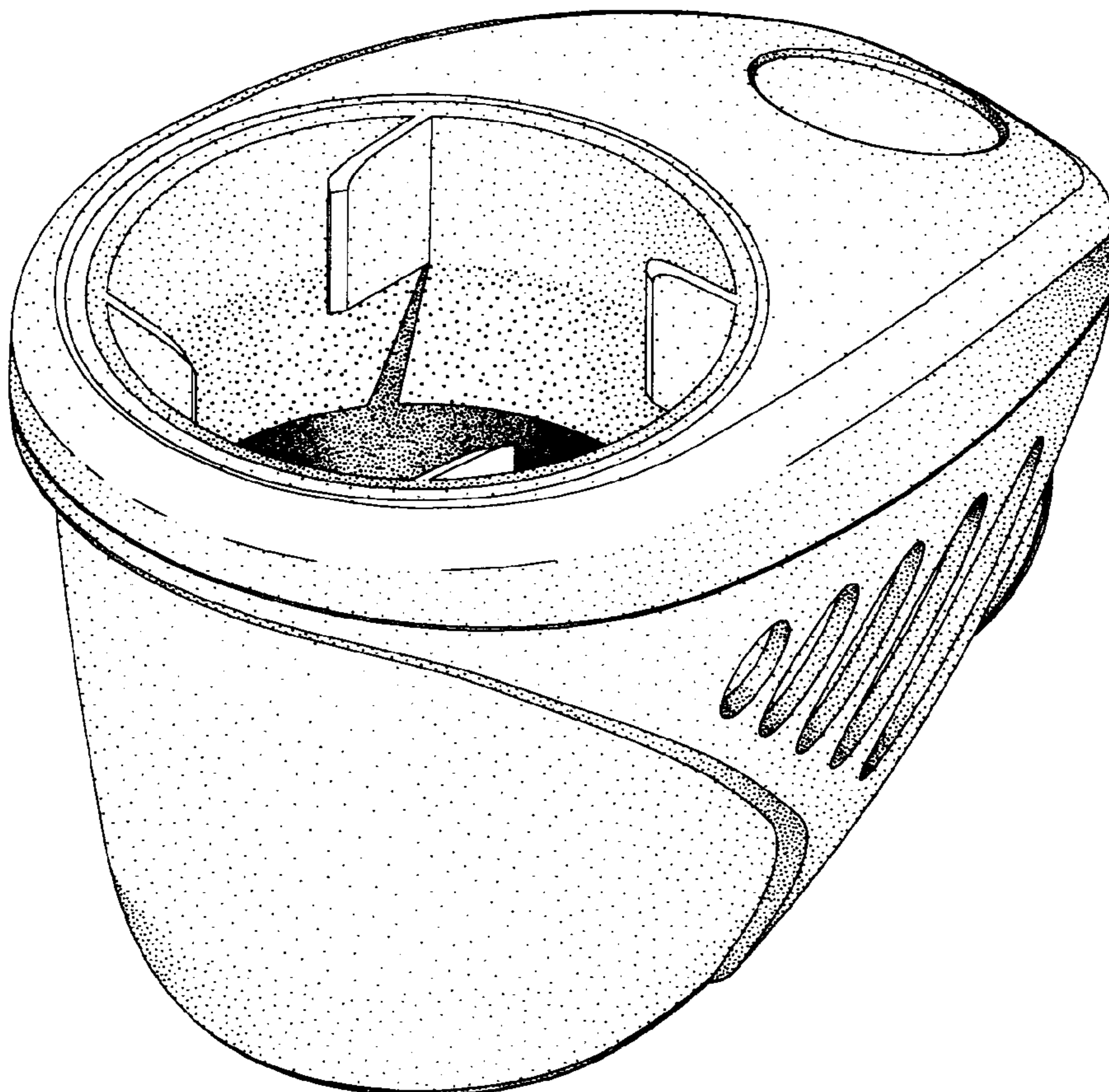




Fig. 1

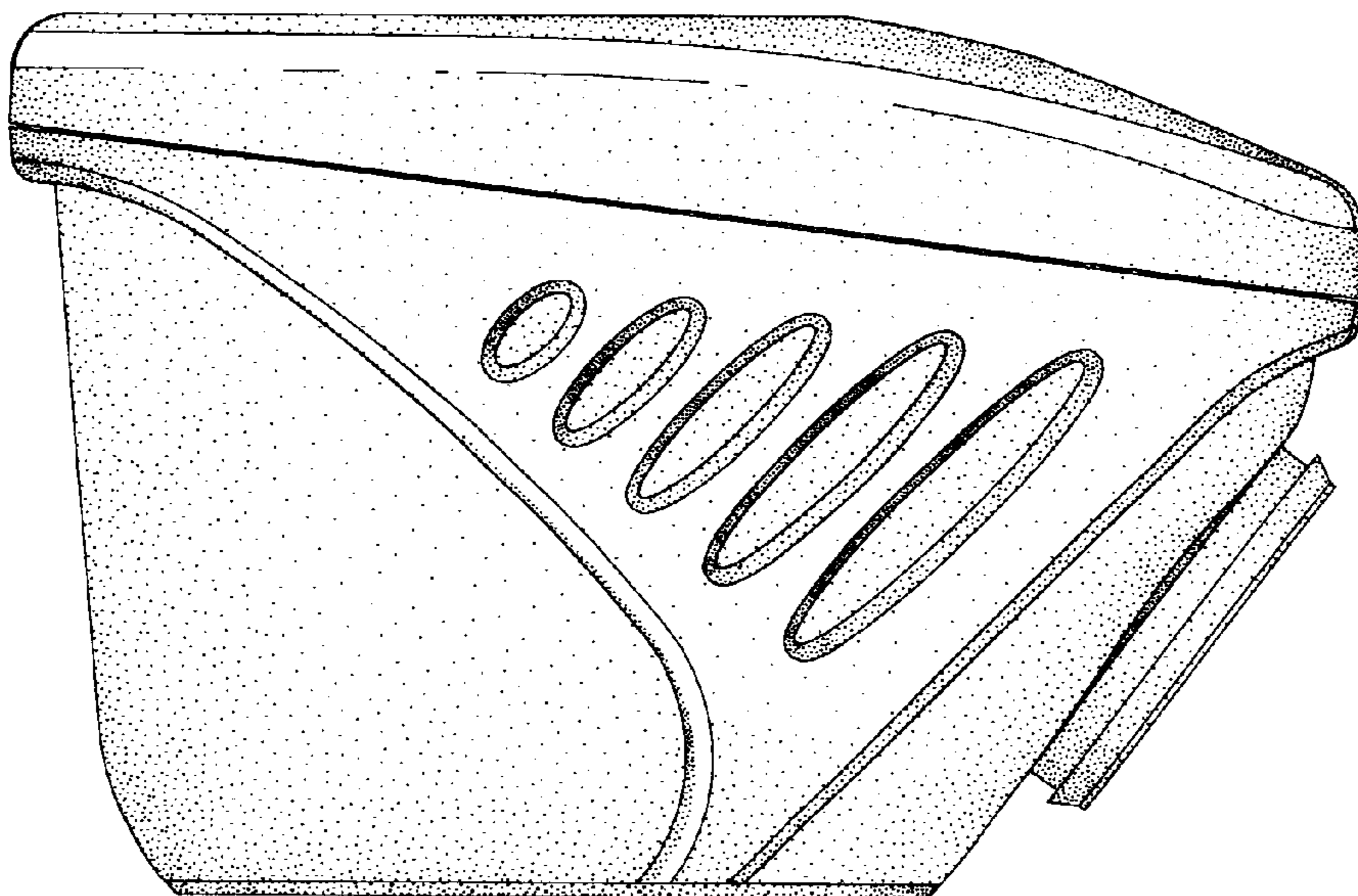


Fig. 2

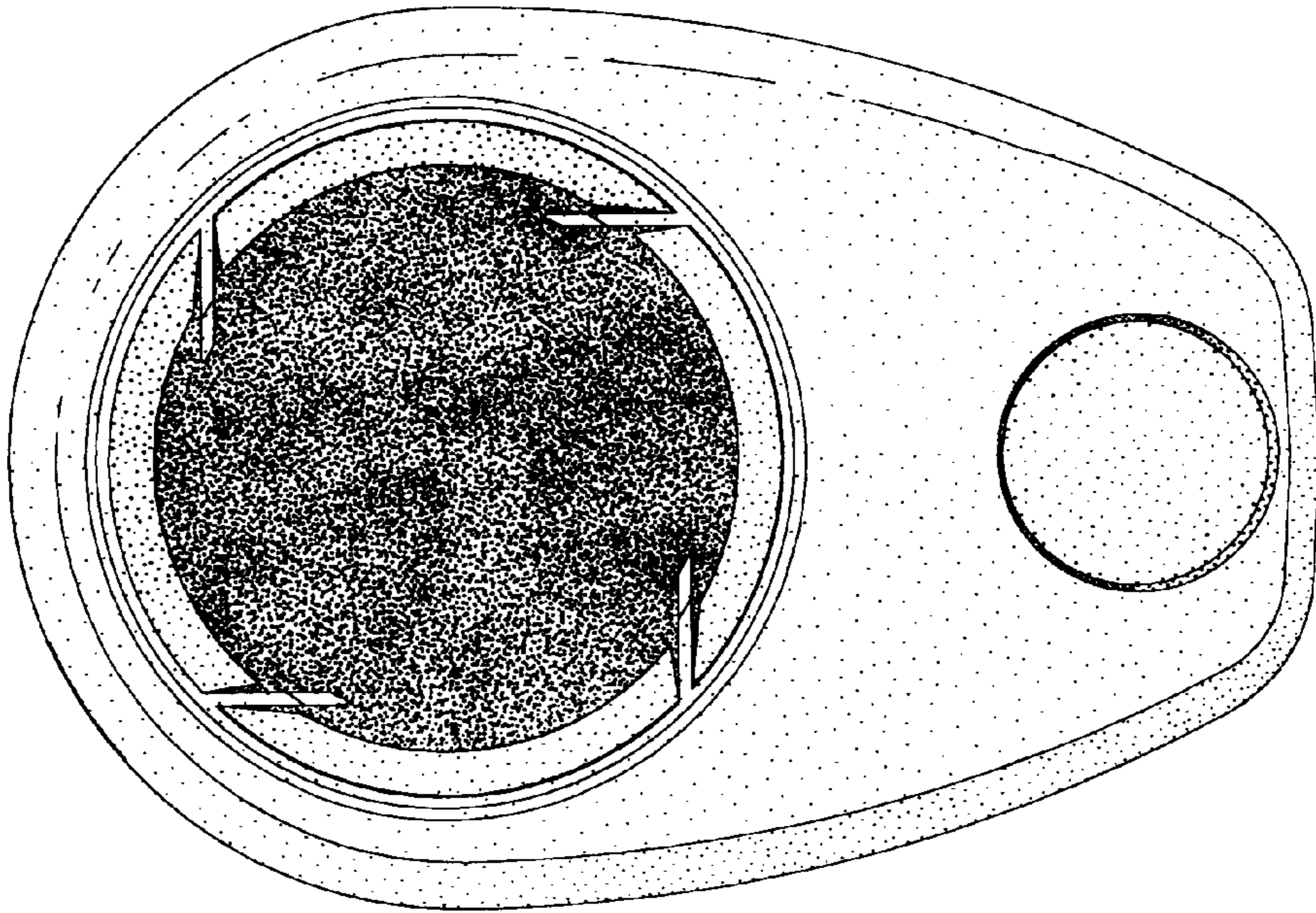


Fig. 3

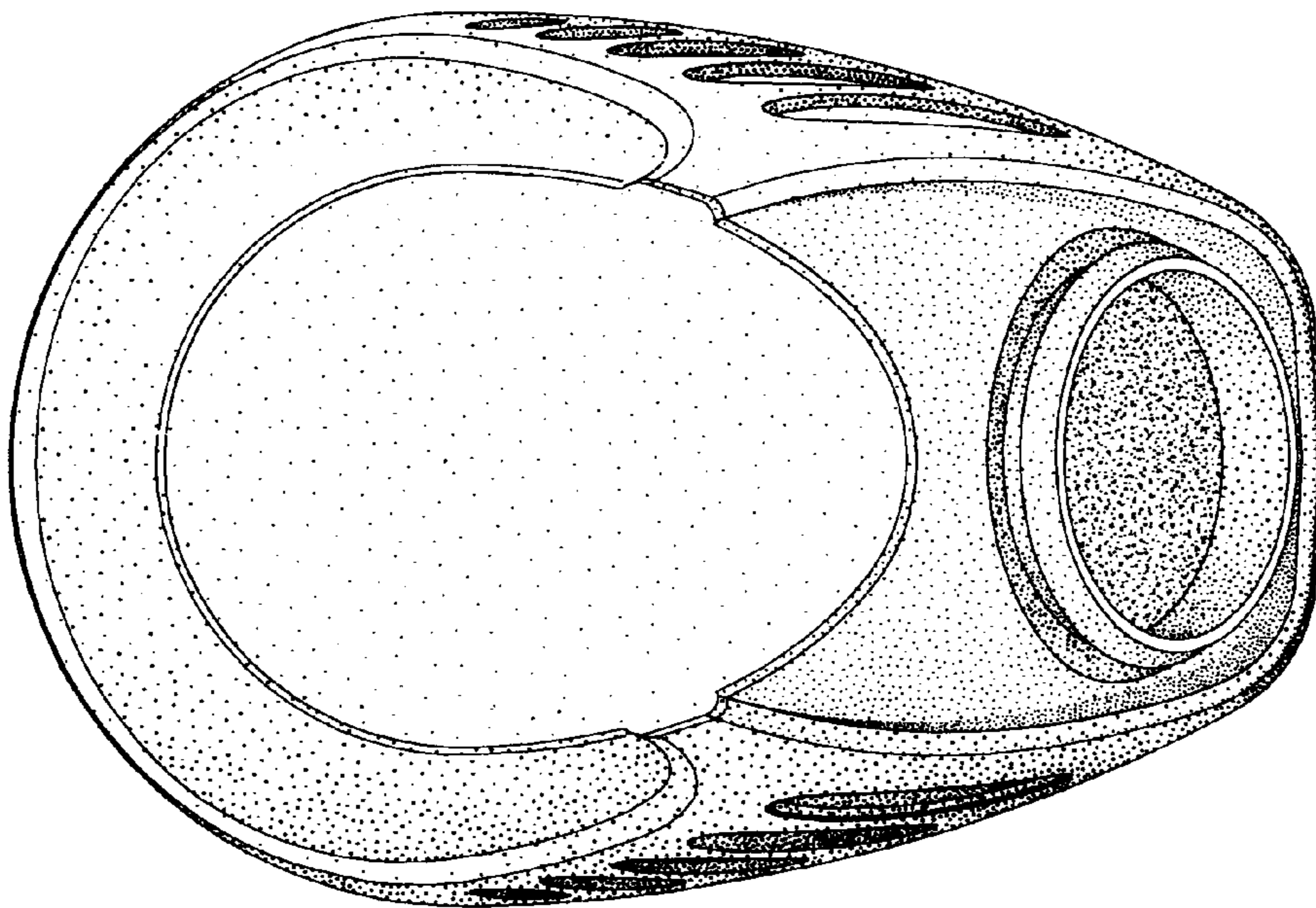


Fig. 4

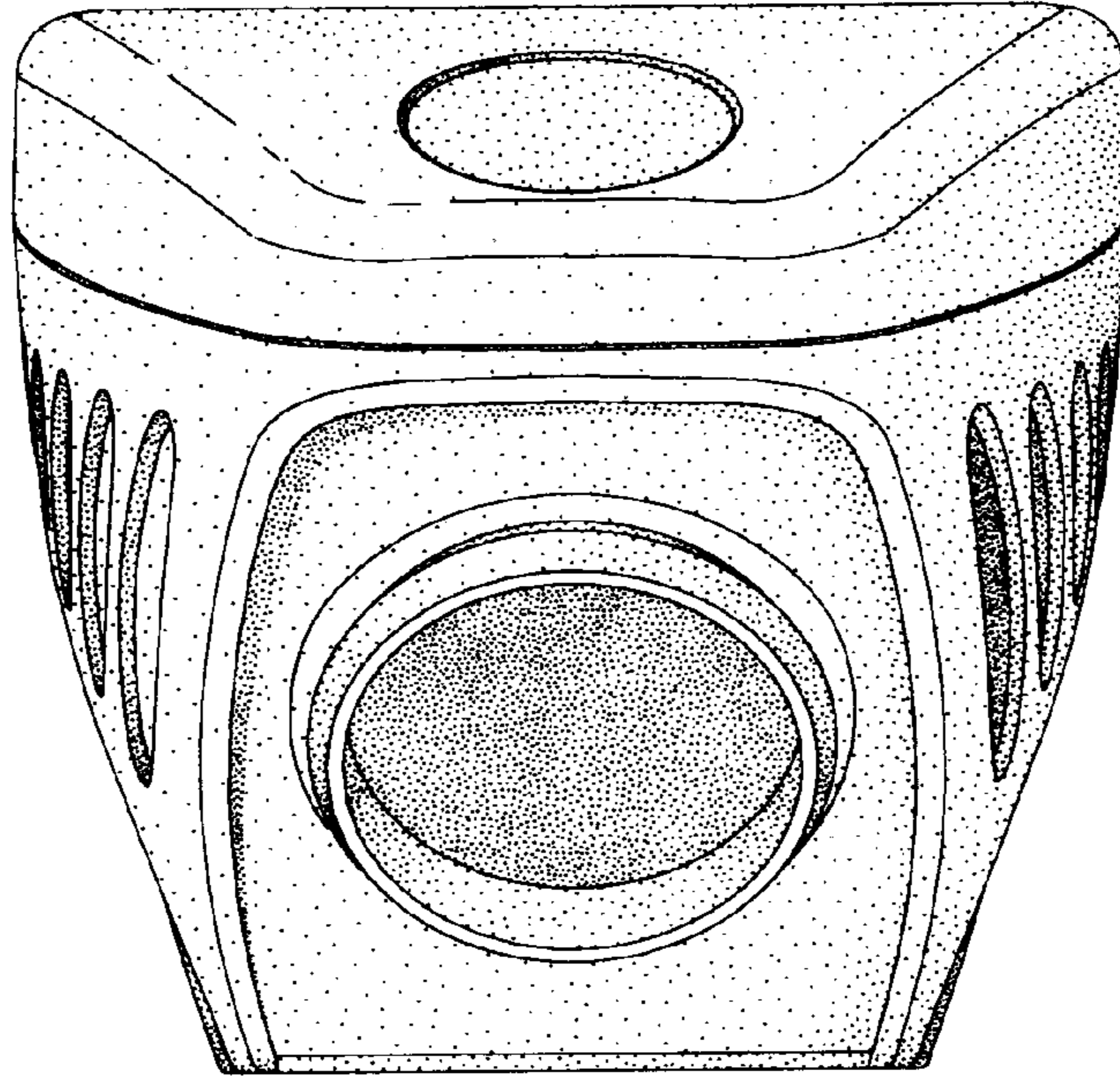


Fig. 5

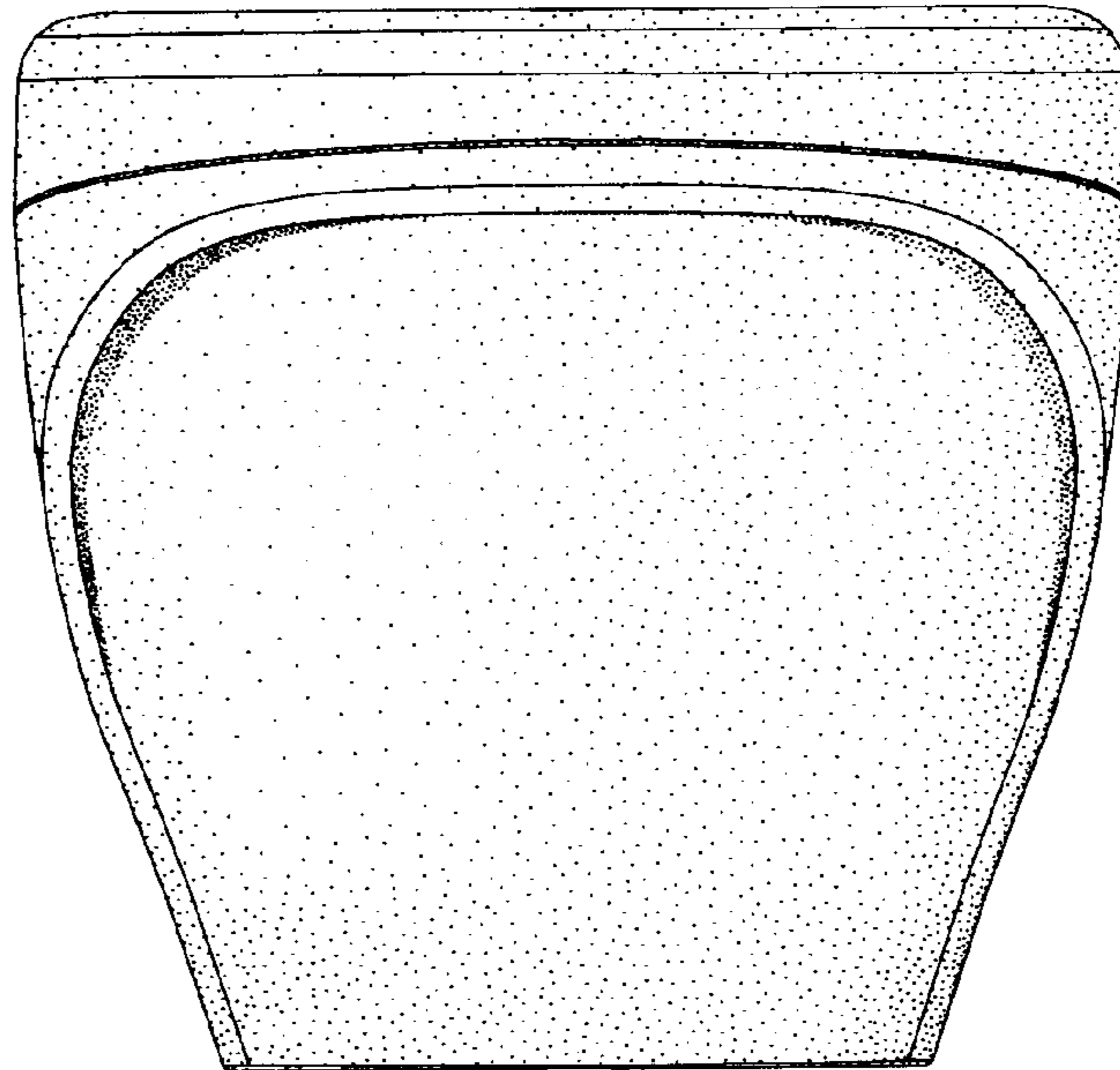


Fig. 6