



US00D439836S

(12) **United States Design Patent**  
**Humphrey**

(10) **Patent No.:** **US D439,836 S**

(45) **Date of Patent:** **\*\* Apr. 3, 2001**

(54) **PACKAGE**

(75) **Inventor:** **Neill W. Humphrey**, El Dorado Hills,  
CA (US)

(73) **Assignee:** **Trade Source International**, El Dorado  
Hills, CA (US)

(\*\*) **Term:** **14 Years**

(21) **Appl. No.:** **29/124,921**

(22) **Filed:** **Jun. 14, 2000**

**Related U.S. Application Data**

(62) Division of application No. 29/121,730, filed on Apr. 4,  
2000, which is a division of application No. 29/101,256,  
filed on Mar. 1, 1999.

(51) **LOC (7) Cl.** ..... **09-07**

(52) **U.S. Cl.** ..... **D9/415; D9/418**

(58) **Field of Search** ..... D9/415, 418, 414,  
D9/337, 341; 206/461-471, 495, 806, 775-783,  
756, 757, 765, 320

(56) **References Cited**

**U.S. PATENT DOCUMENTS**

D. 394,384 \* 5/1998 Humphrey ..... D9/418

D. 405,370 \* 2/1999 Humphrey ..... D9/415 X

D. 414,108	*	9/1999	Humphrey	.....	D9/415
5,411,138	*	5/1995	Klawiter	.....	206/775 X
5,622,258	*	4/1997	Baublitz et al.	.....	206/779 X
5,890,593	*	4/1999	Humphrey	.....	206/471
5,947,291	*	9/1999	Humphrey	.....	206/463

**OTHER PUBLICATIONS**

Techform Inc., Nov. 1982.\*

Modern Packaging , p. 300, Jan. 1941.\*

\* cited by examiner

*Primary Examiner*—Prabhakar Deshmukh

(74) *Attorney, Agent, or Firm*—Oppenheimer Wolff &  
Donnelly LLP

(57) **CLAIM**

The ornamental design for a package, as shown and  
described.

**DESCRIPTION**

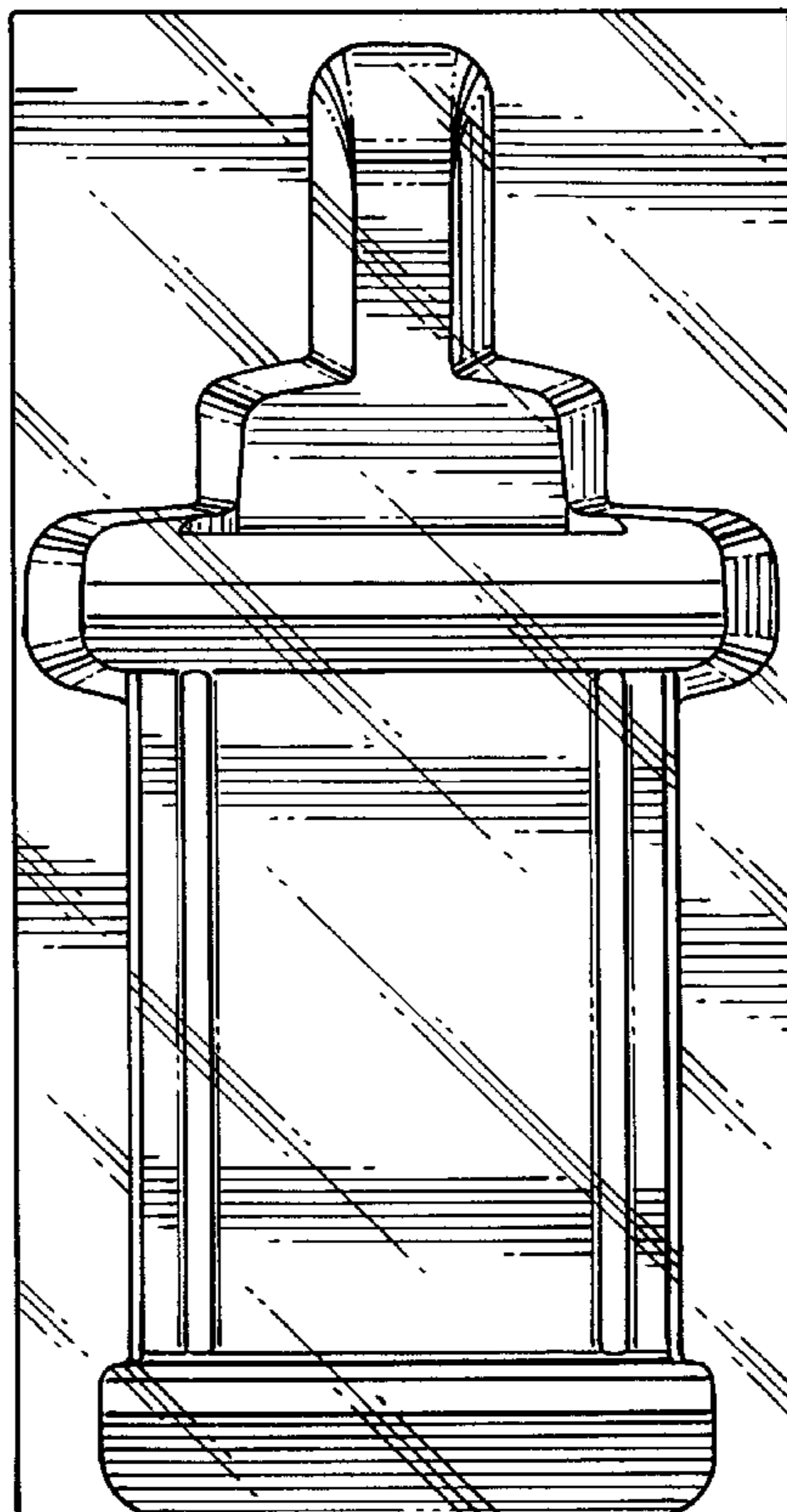
FIG. 1 is a front elevational view of a package showing my  
new design;

FIG. 2 is a top plan view thereof; and,

FIG. 3 is a right side elevational view thereof; the left side  
elevational view being a mirror image thereof.

The bottom and rear are plain and unornamented.

**1 Claim, 1 Drawing Sheet**



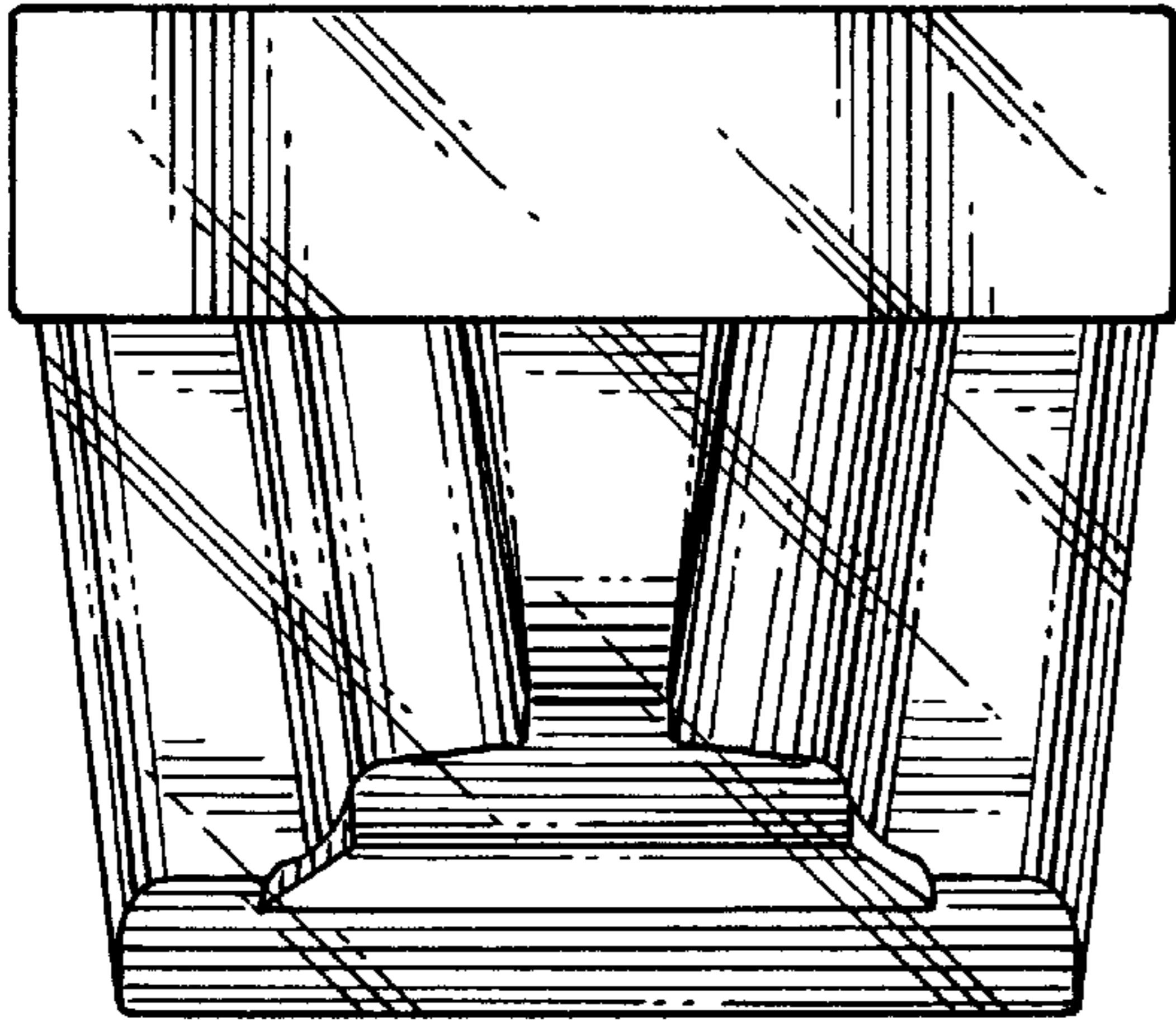


FIG. 2

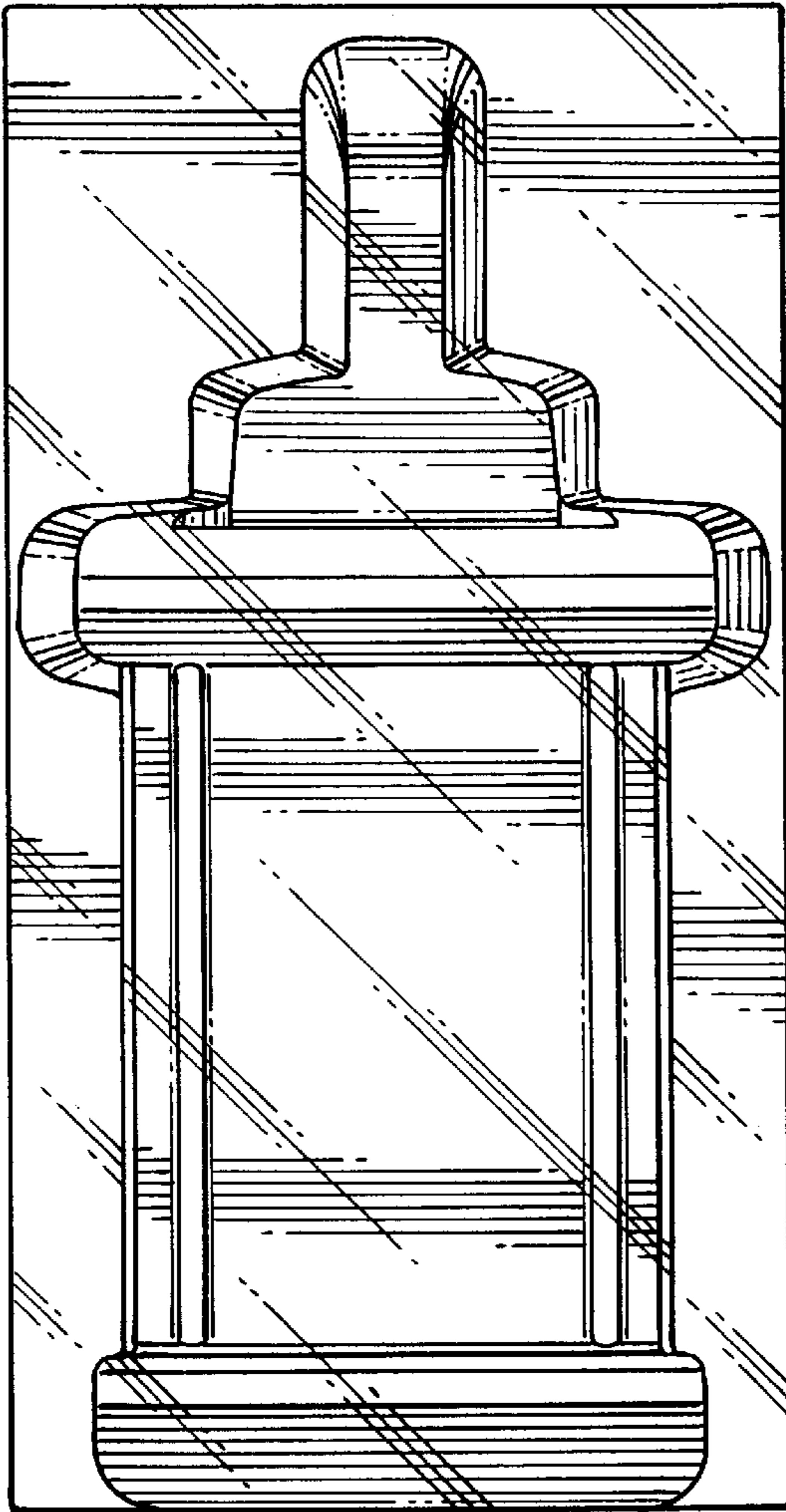


FIG. 1

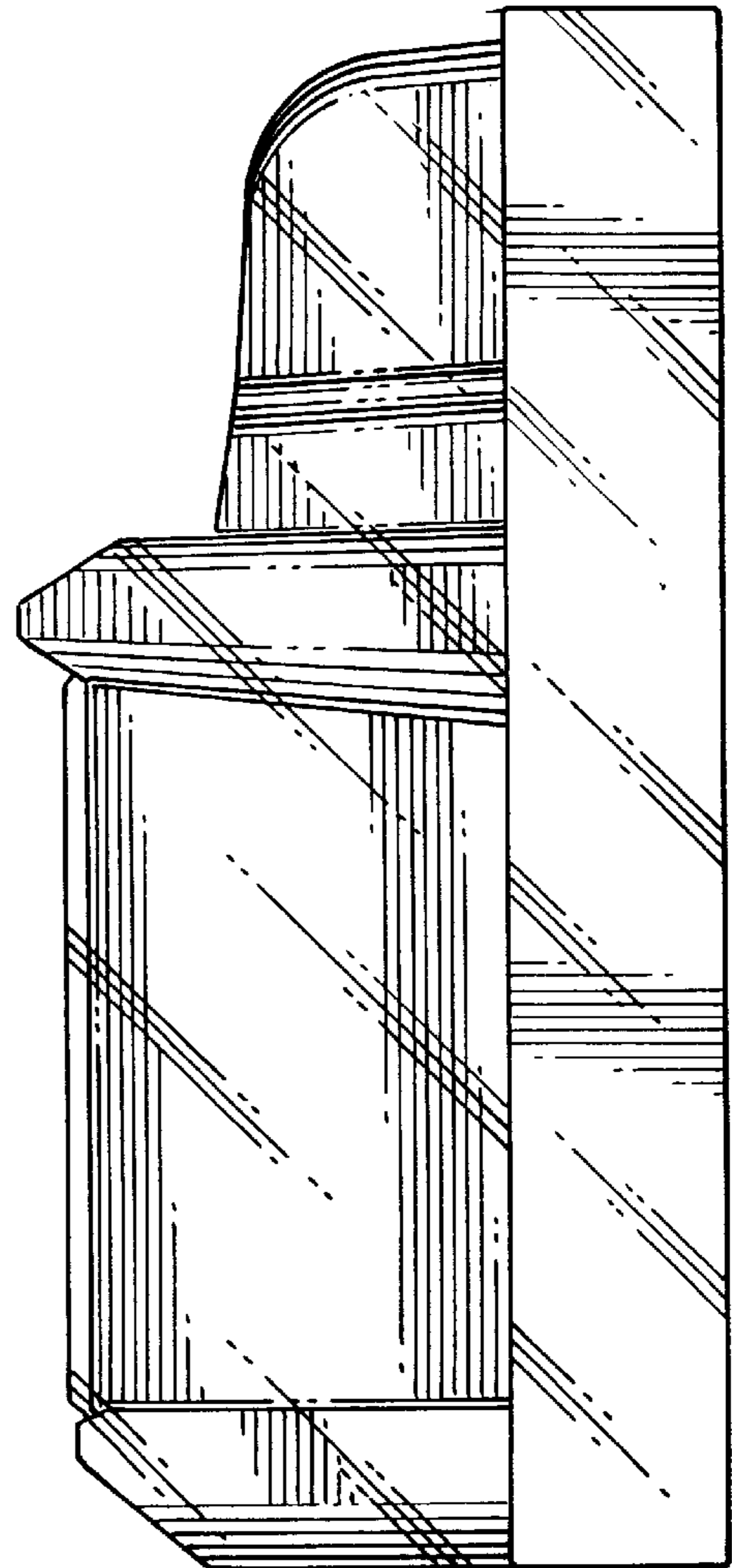


FIG. 3