



US00D439829S

(12) **United States Design Patent**  
**Woosley**

(10) **Patent No.:** **US D439,829 S**

(45) **Date of Patent:** **\*\* Apr. 3, 2001**

(54) **SATELLITE DISH MOUNTING BRACKET**

2,995,333 \* 8/1961 Pazzano ..... 248/314 X

4,285,486 \* 8/1981 Von Osten et al. .... 248/316.5

5,279,452 \* 1/1994 Huynh ..... 248/314 X

(75) Inventor: **John Woosley**, Santa Monica, CA (US)

(73) Assignee: **John Graham Woosley**, Santa Monica, CA (US)

\* cited by examiner

(\*\*) Term: **14 Years**

*Primary Examiner*—Holly Baynham

(21) Appl. No.: **29/126,942**

(22) Filed: **Jul. 28, 2000**

(57) **CLAIM**

The ornamental design for satellite dish mounting bracket, as shown.

(51) **LOC (7) Cl.** ..... **08-05**

(52) **U.S. Cl.** ..... **D8/363**

(58) **Field of Search** ..... D8/363, 356; 248/309.1, 248/314, 316.5

**DESCRIPTION**

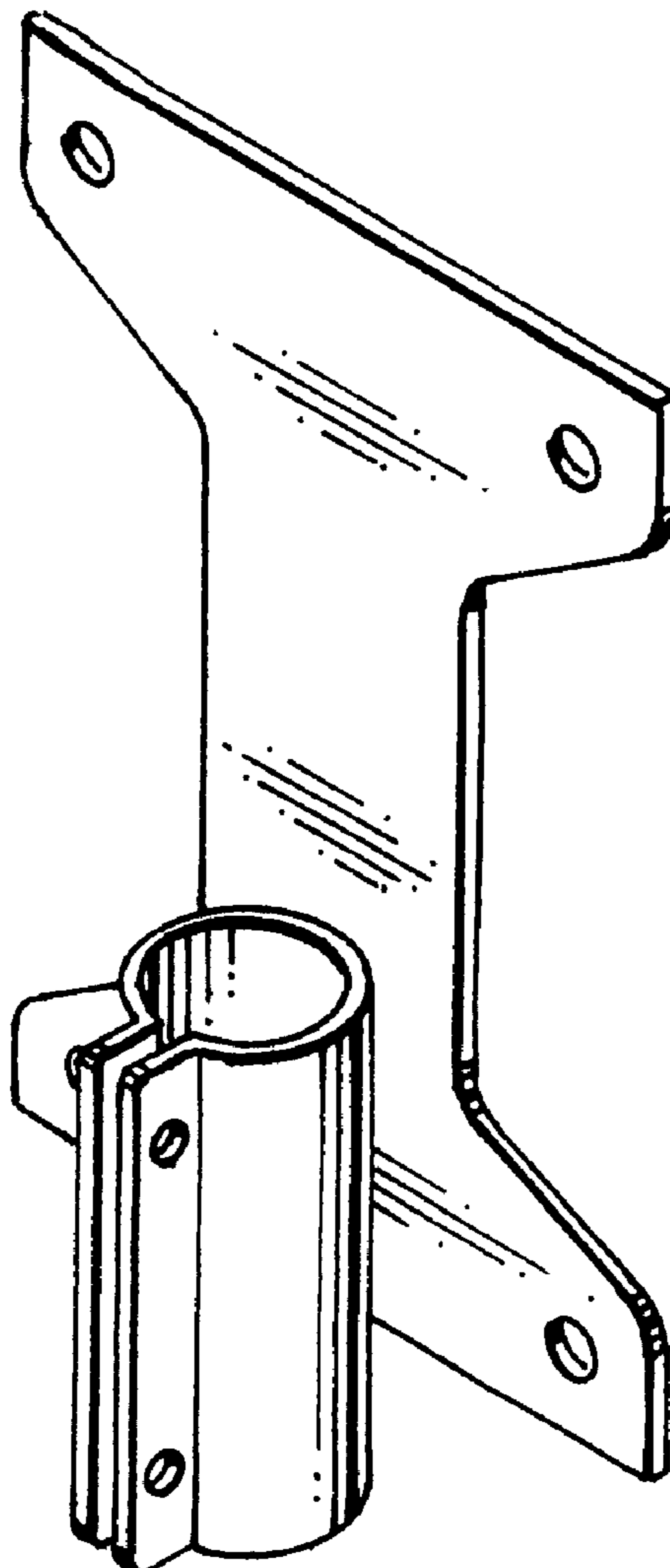
FIG. 1 is a right side perspective view;  
FIG. 2 is an enlarged front elevational view;  
FIG. 3 is a rear elevational view;  
FIG. 4 is a bottom plan view; and,  
FIG. 5 is a left side elevational view.

(56) **References Cited**

**U.S. PATENT DOCUMENTS**

2,639,880 \* 5/1953 Belloff et al. .... 248/314

**1 Claim, 1 Drawing Sheet**



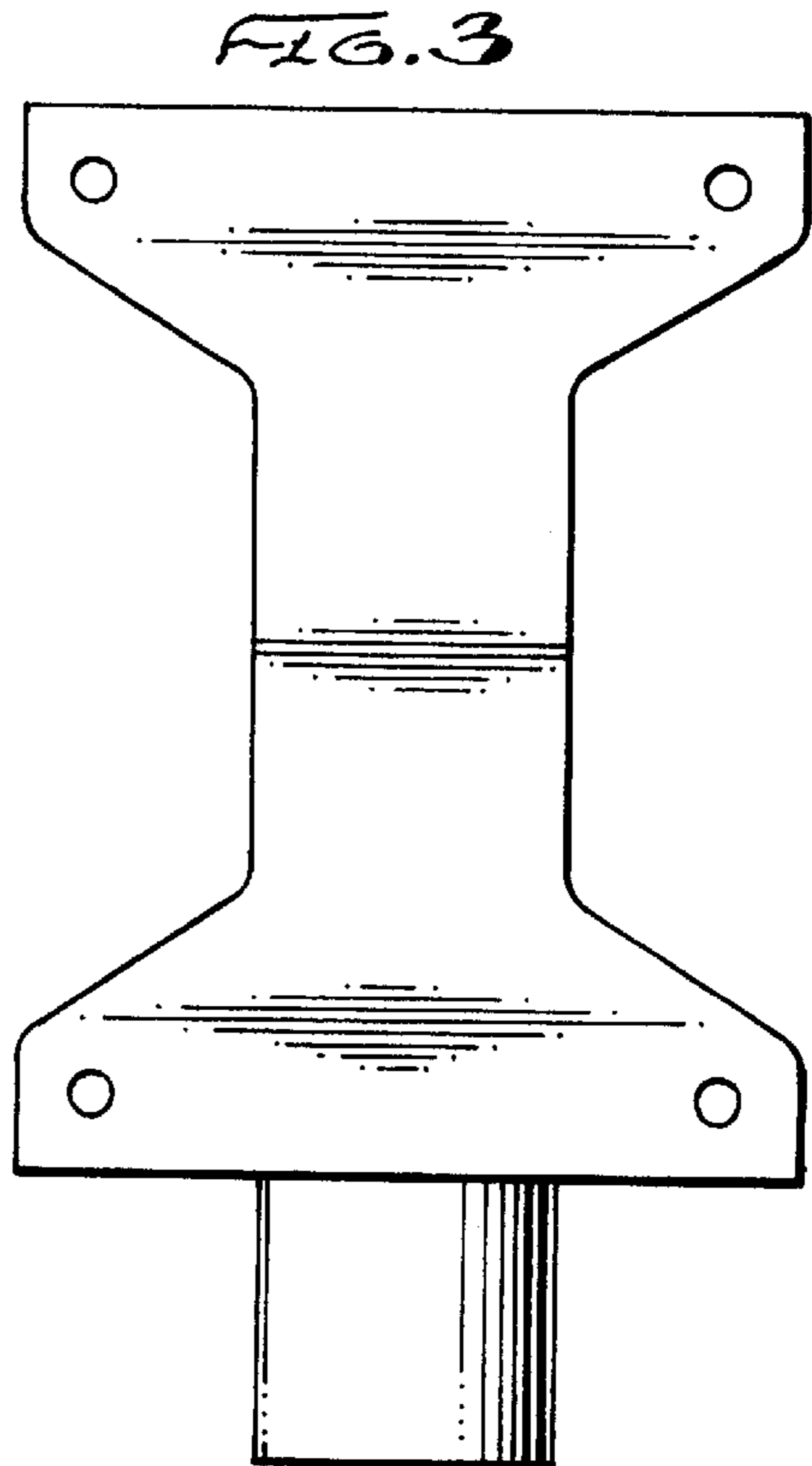
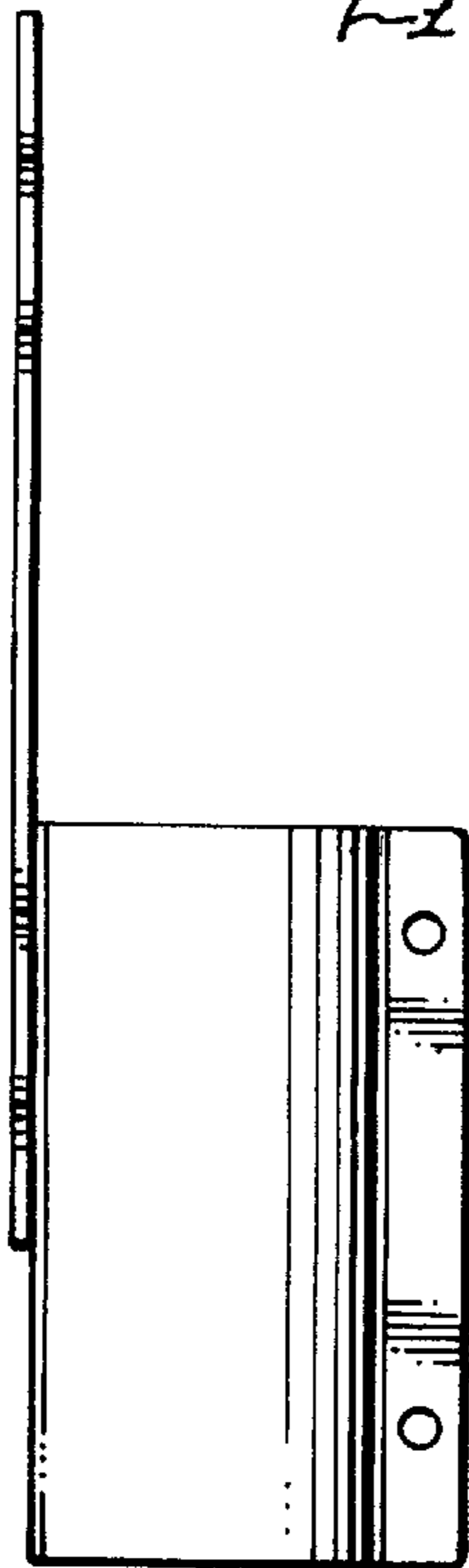
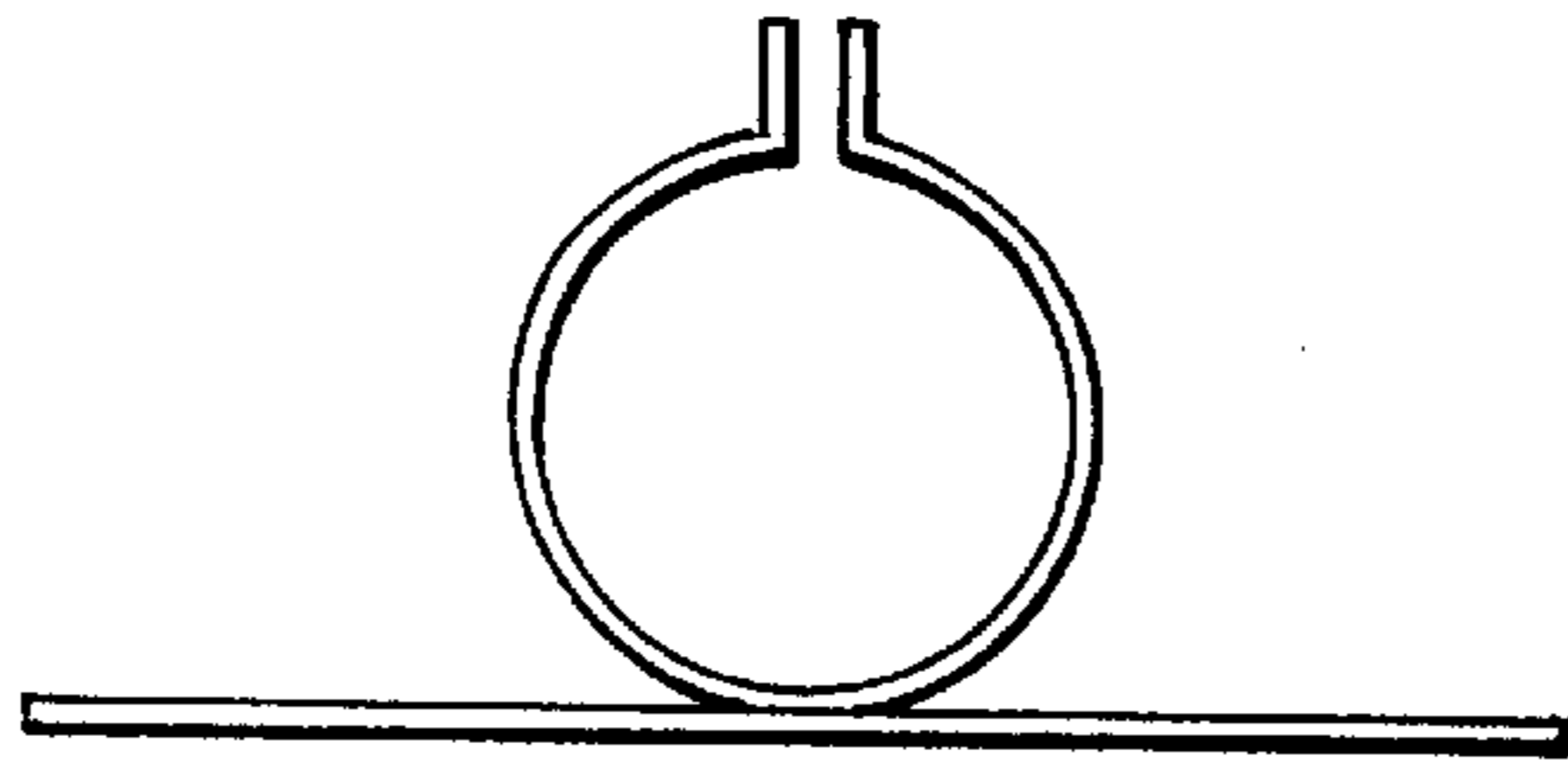
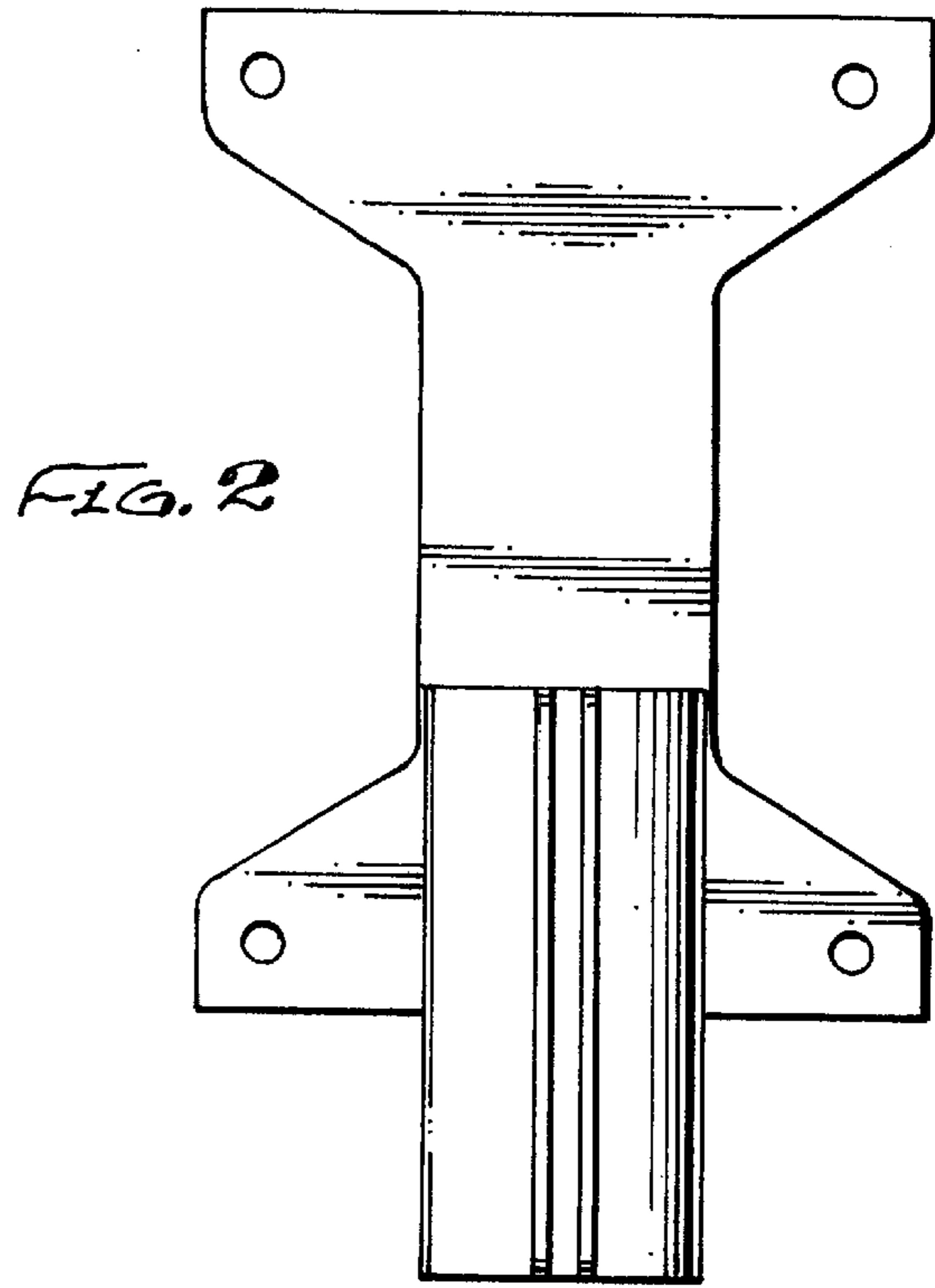
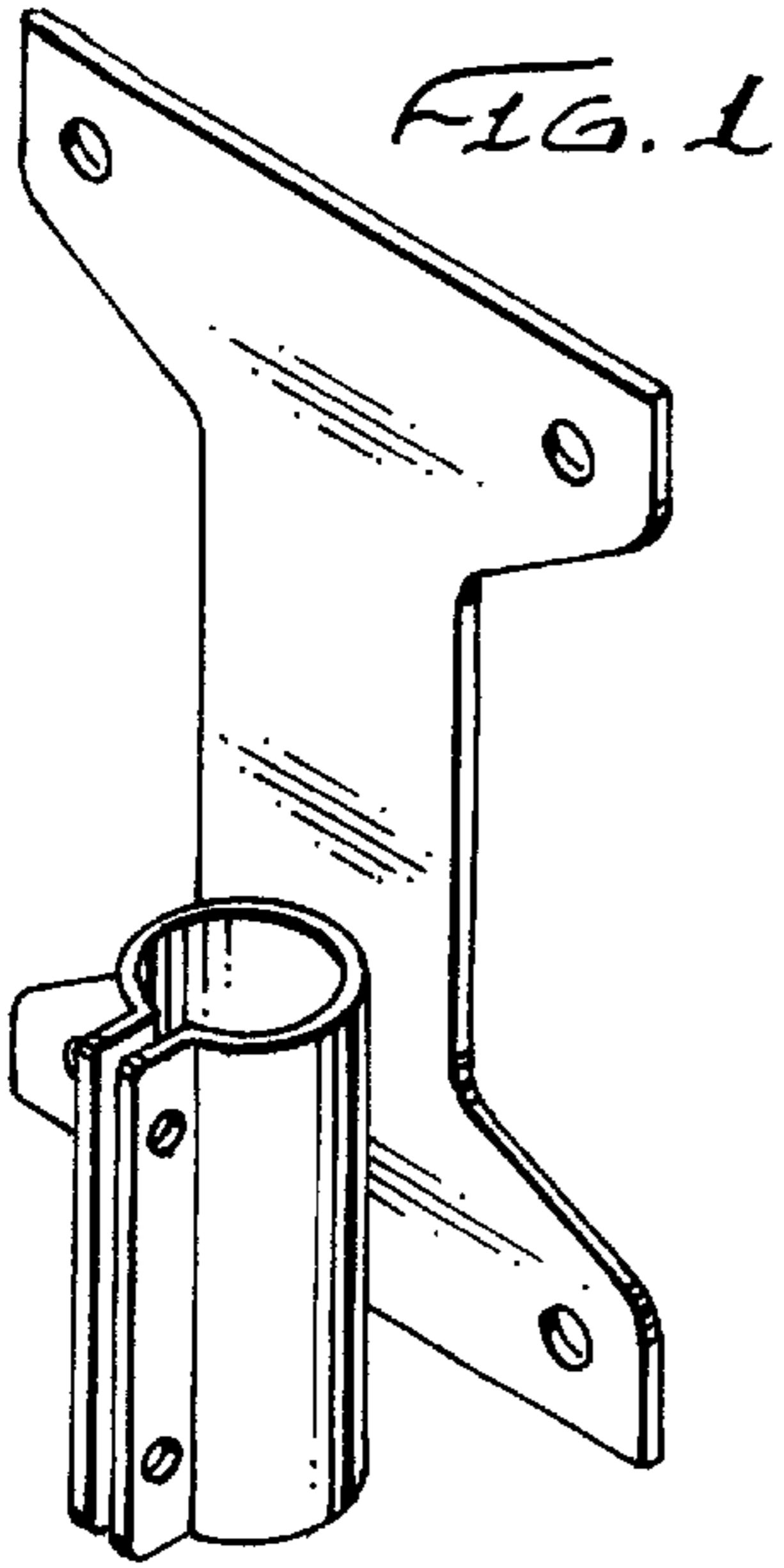


FIG. 5