



US00D439827S

(12) **United States Design Patent**
Wyers

(10) **Patent No.:** **US D439,827 S**

(45) **Date of Patent:** **** Apr. 3, 2001**

(54) **LOCKING ROD DEVICE**

(76) Inventor: **Philip W. Wyers**, 6476 S. Ivy Ct.,
Englewood, CO (US) 80111

(**) Term: **14 Years**

(21) Appl. No.: **29/125,816**

(22) Filed: **Jun. 27, 2000**

Related U.S. Application Data

(62) Division of application No. 29/078,962, filed on Oct. 27,
1997, now Pat. No. Des. 428,795.

(51) **LOC (7) Cl.** **08-07**

(52) **U.S. Cl.** **D8/341**

(58) **Field of Search** D8/330, 331, 336,
D8/339, 341, 343; 70/91, 14, 33, 34, 181;
292/41, 119, 156, 86, 259 R

(56) **References Cited**

U.S. PATENT DOCUMENTS

D. 388,686	1/1998	Goodwin et al. .
D. 396,797	8/1998	Sernoskie .
2,677,261	5/1954	Jacobi .
4,236,395	12/1980	Avaiusini .
4,576,021	3/1986	Holden .
4,619,122	10/1986	Simpson .
4,637,234	1/1987	Mielonen .
4,711,106	12/1987	Johnson .

4,732,019	3/1988	Tolar .
4,844,498	7/1989	Kerins et al. .
5,063,763	11/1991	Johnson .
5,284,038	2/1994	Johnson .
5,540,065 *	7/1996	Wyers 70/34 X
5,664,445	9/1997	Chang .
5,676,258	10/1997	Leyden et al. .

* cited by examiner

Primary Examiner—Susan J. Lucas
Assistant Examiner—Jennifer Rivard
(74) *Attorney, Agent, or Firm*—Timothy J. Martin; Michael
R. Henson; Mark H. Weygandt

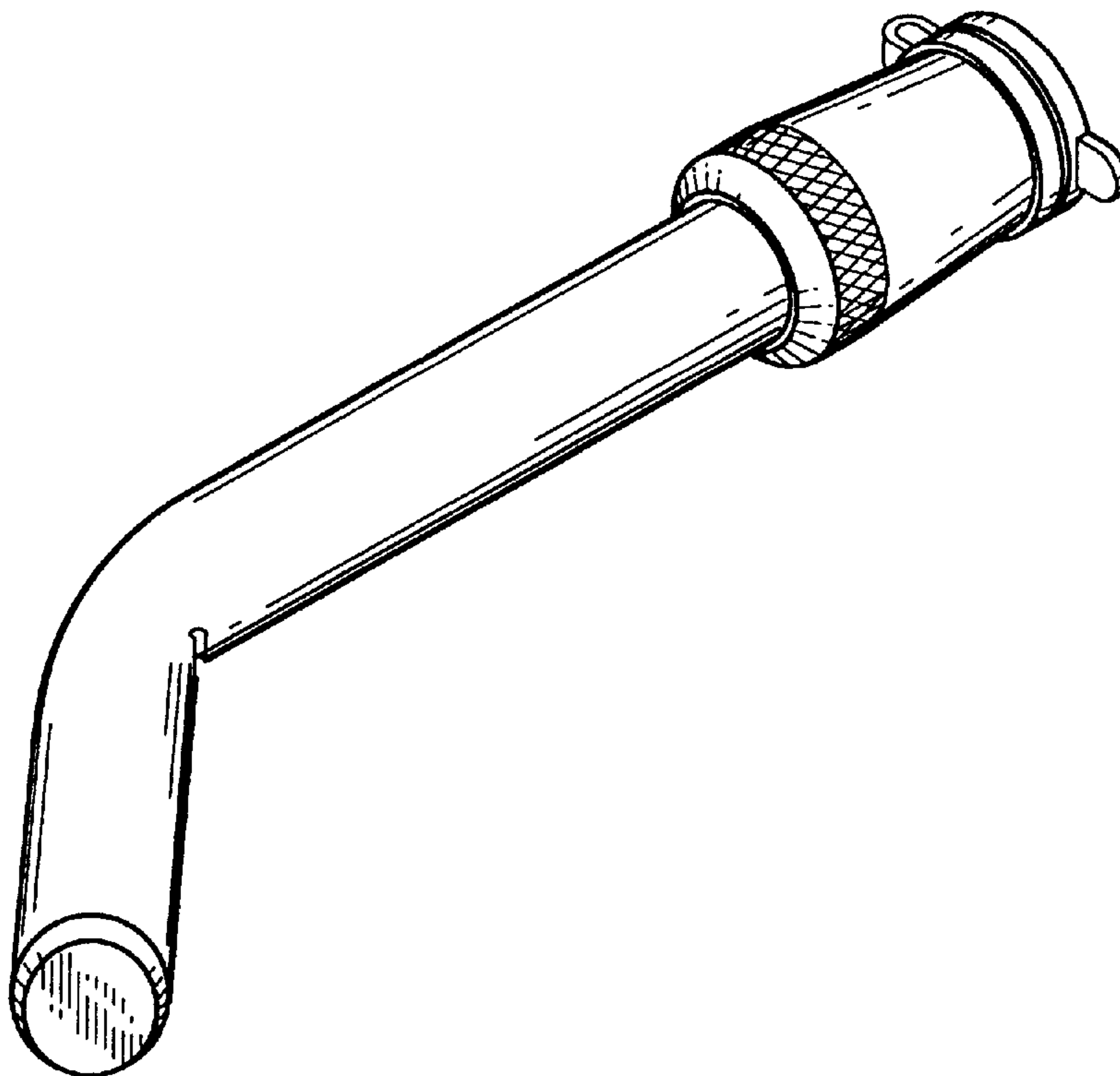
(57) **CLAIM**

The ornamental design for a locking rod device, as shown
and described.

DESCRIPTION

FIG. 1 is an end perspective view of a locking rod device
showing the new design;
FIG. 2 is an opposite end perspective view thereof;
FIG. 3 is a front elevational view thereof, the rear elevational
view is a mirror image; and,
FIG. 4 is a front elevational view of the locking rod device
shown in an open position, with the locking rod device's
ring and keys shown in broken lines for illustrative purposes
only so that it forms no part of the claimed design, the rear
elevational view is a mirror image.

1 Claim, 2 Drawing Sheets



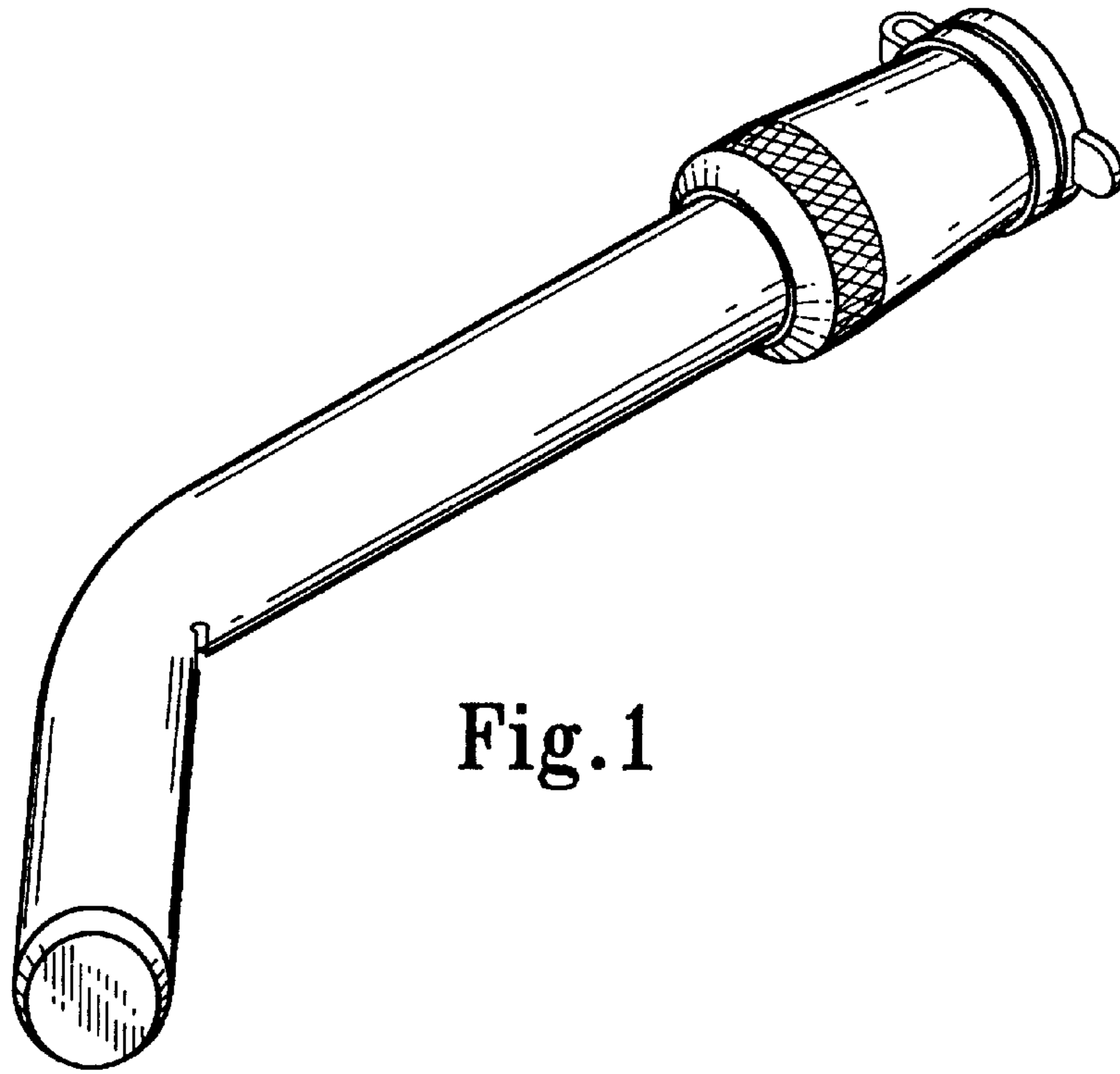


Fig. 1

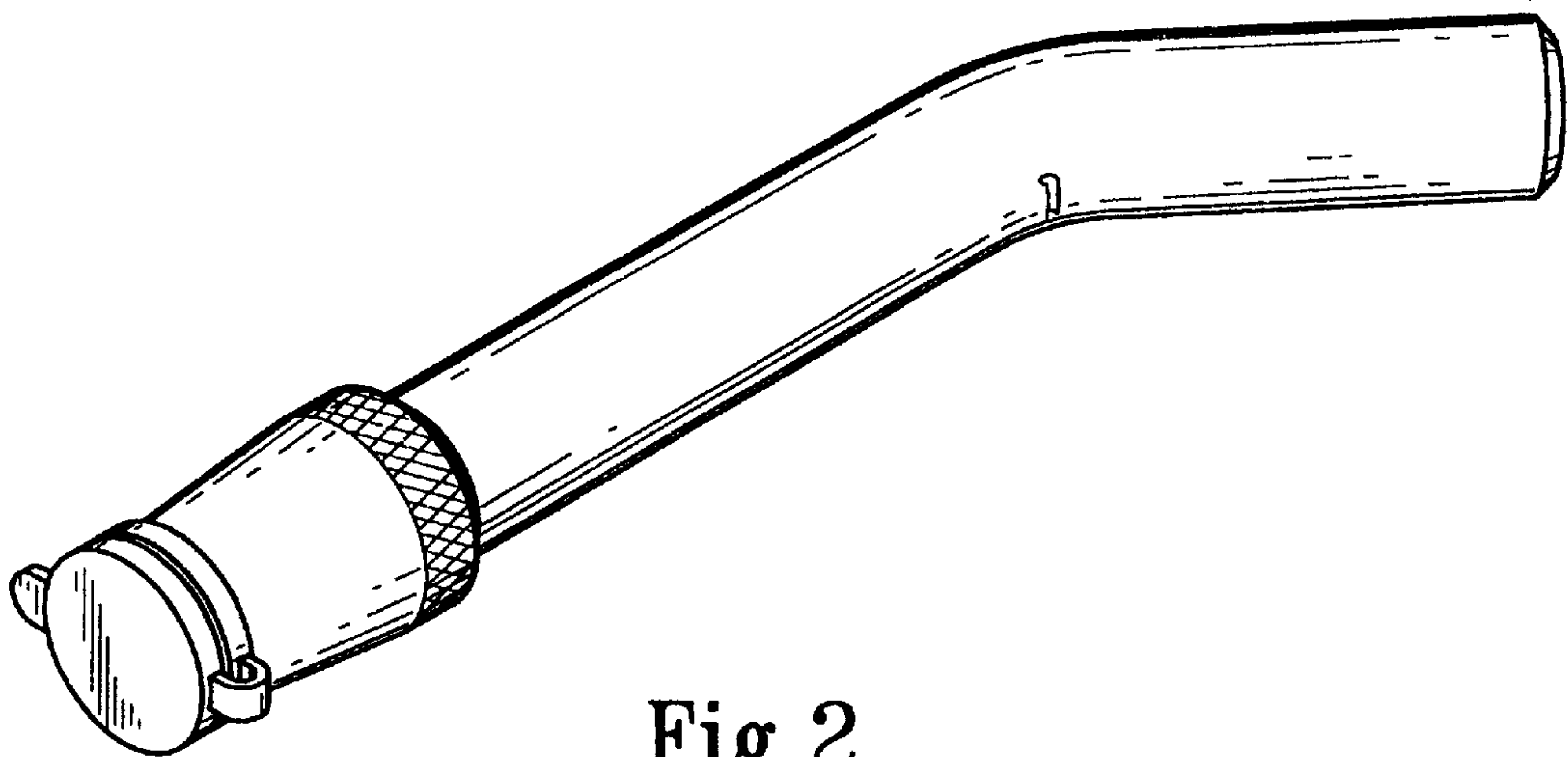


Fig. 2

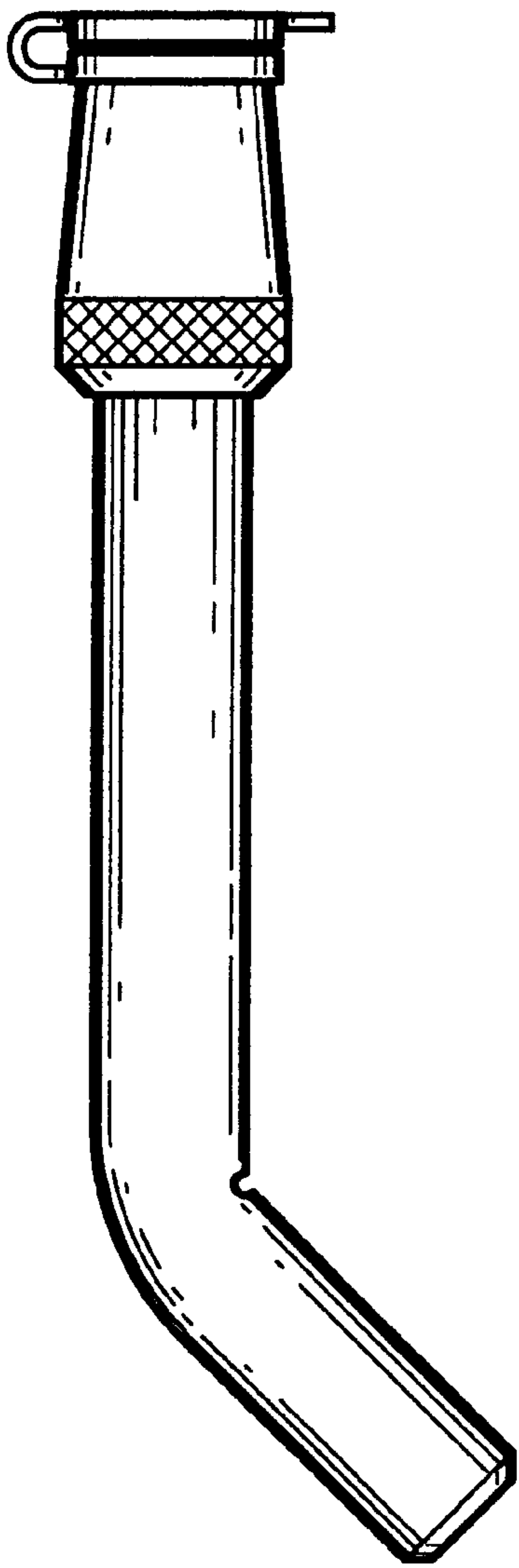


Fig.3

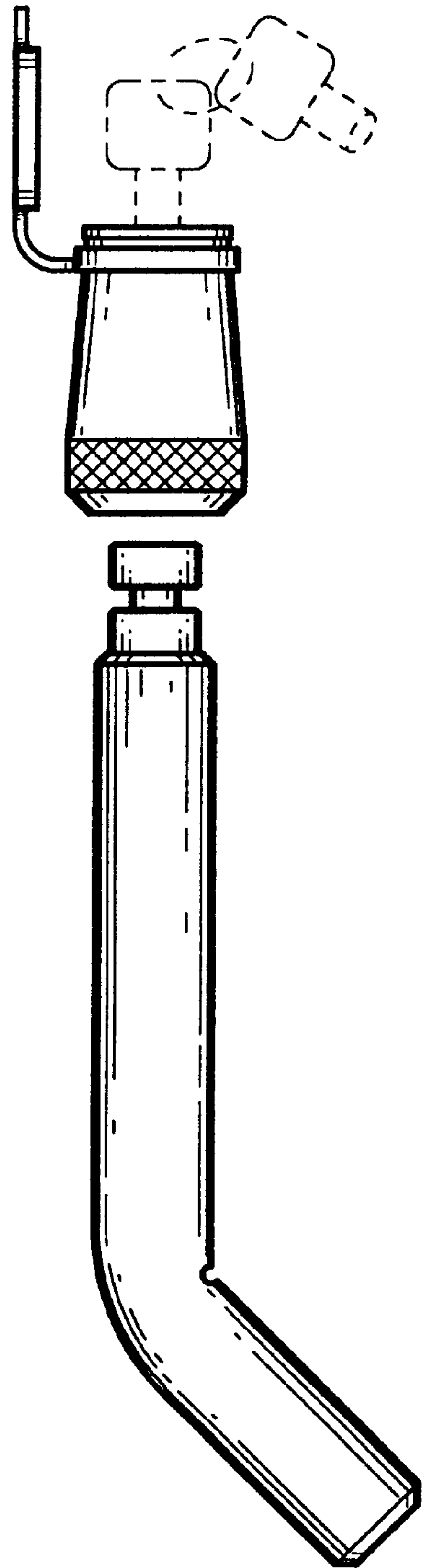


Fig.4