



US00D439822S

(12) **United States Design Patent** (10) **Patent No.:** **US D439,822 S**
Webber et al. (45) **Date of Patent:** **** Apr. 3, 2001**

(54) **ADJUSTER LATCH**

(75) Inventors: **Randall T. Webber**, San Diego;
George M. Zink, Escondido;
Christopher E. Brennan, El Cajon, all
of CA (US)

(73) Assignee: **Hoist Fitness Systems**, San Diego, CA
(US)

(**) Term: **14 Years**

(21) Appl. No.: **29/117,967**

(22) Filed: **Feb. 1, 2000**

(51) **LOC (7) Cl.** **08-07**

(52) **U.S. Cl.** **D8/331**

(58) **Field of Search** 482/908; D21/694;
292/242, 229, 175, 80, 86, 87, 89; D8/330,
331, 336, 343

(56) **References Cited**

U.S. PATENT DOCUMENTS

3,499,674 * 3/1970 Voran et al. 292/87
3,606,423 * 9/1971 McCarthy D8/330 X
5,882,283 3/1999 Stevens .
5,975,593 * 11/1999 Cress 292/86

OTHER PUBLICATIONS

HR1 Recumbent Exercise Bike, Hoist, 1994.
Hammer Strength Seated Bicep Machine, Hammer Bro-
chure, 1993.

Hammer Brochure, 1993.
Nautilus Brochure, 1980's.
Nautilus 2ST Super Smooth Technology, Nautilus Brochure,
1990's.
Bicep Curl/Tricep Extension, Hoist Fitness Owner's
Manual, 1996.
Seat Back Adjustment, Hoist Fitness Brochure, 1989.
Twist N Lift Seat, Hoist Fitness Brochure, 1989.
Pacific Fitness Brochure, 1998.
Regular Plate Load Supine Bench Press, Magnum Fitness
Brochure, 1997.

* cited by examiner

Primary Examiner—Susan J. Lucas
Assistant Examiner—Jennifer Rivard
(74) *Attorney, Agent, or Firm*—Brown, Martin, Haller &
McClain, LLP

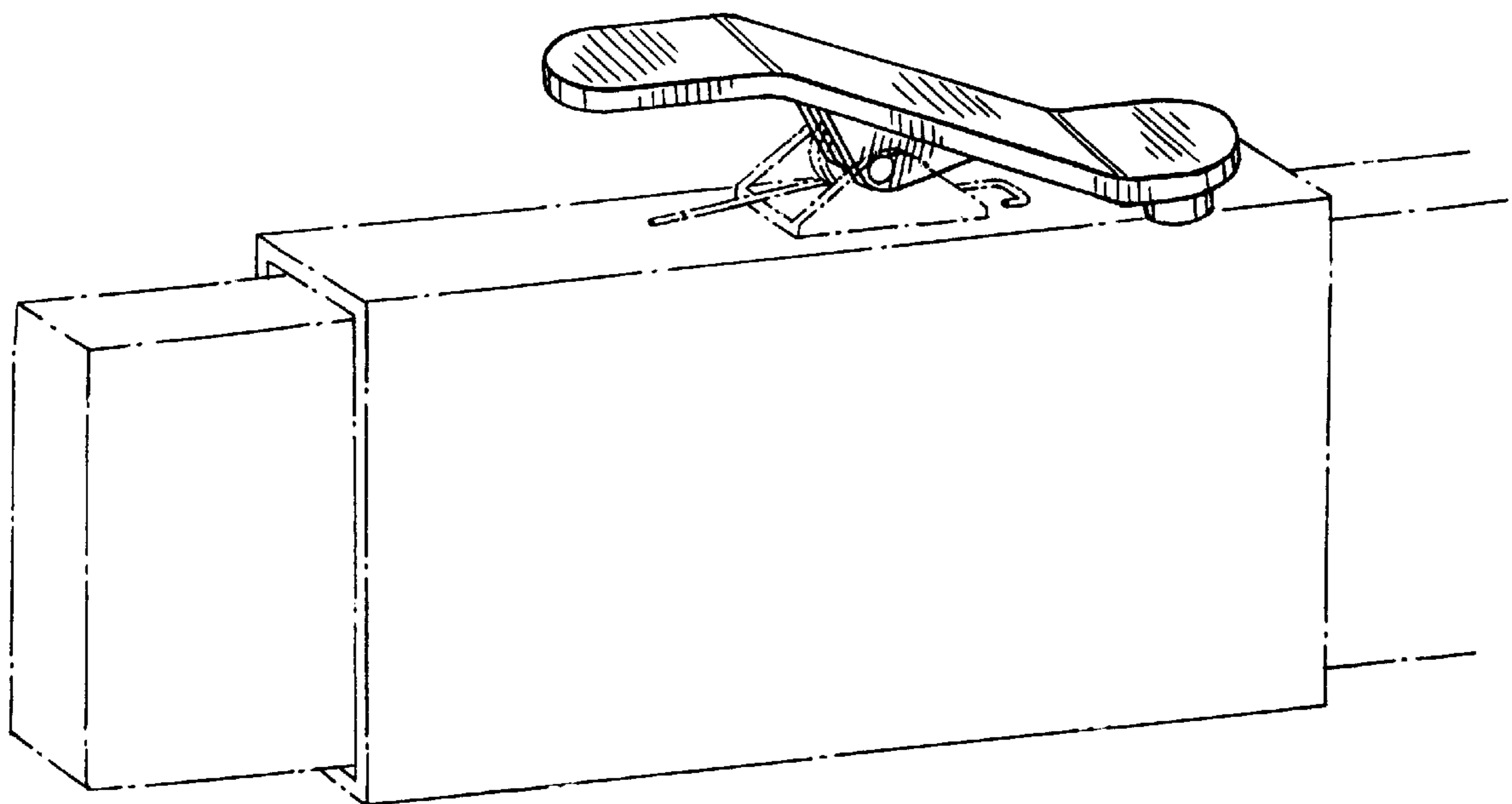
(57) **CLAIM**

The ornamental design for an adjuster latch, as shown.

DESCRIPTION

FIG. 1 is a perspective view of an adjuster latch showing our
new design, the related adjustable structure being indicated
in broken line;
FIG. 2 is a top perspective view thereof; and,
FIG. 3 is a bottom perspective view thereof.
The broken lines are shown for illustrative purposes only
and form no part of the claimed design.

1 Claim, 1 Drawing Sheet



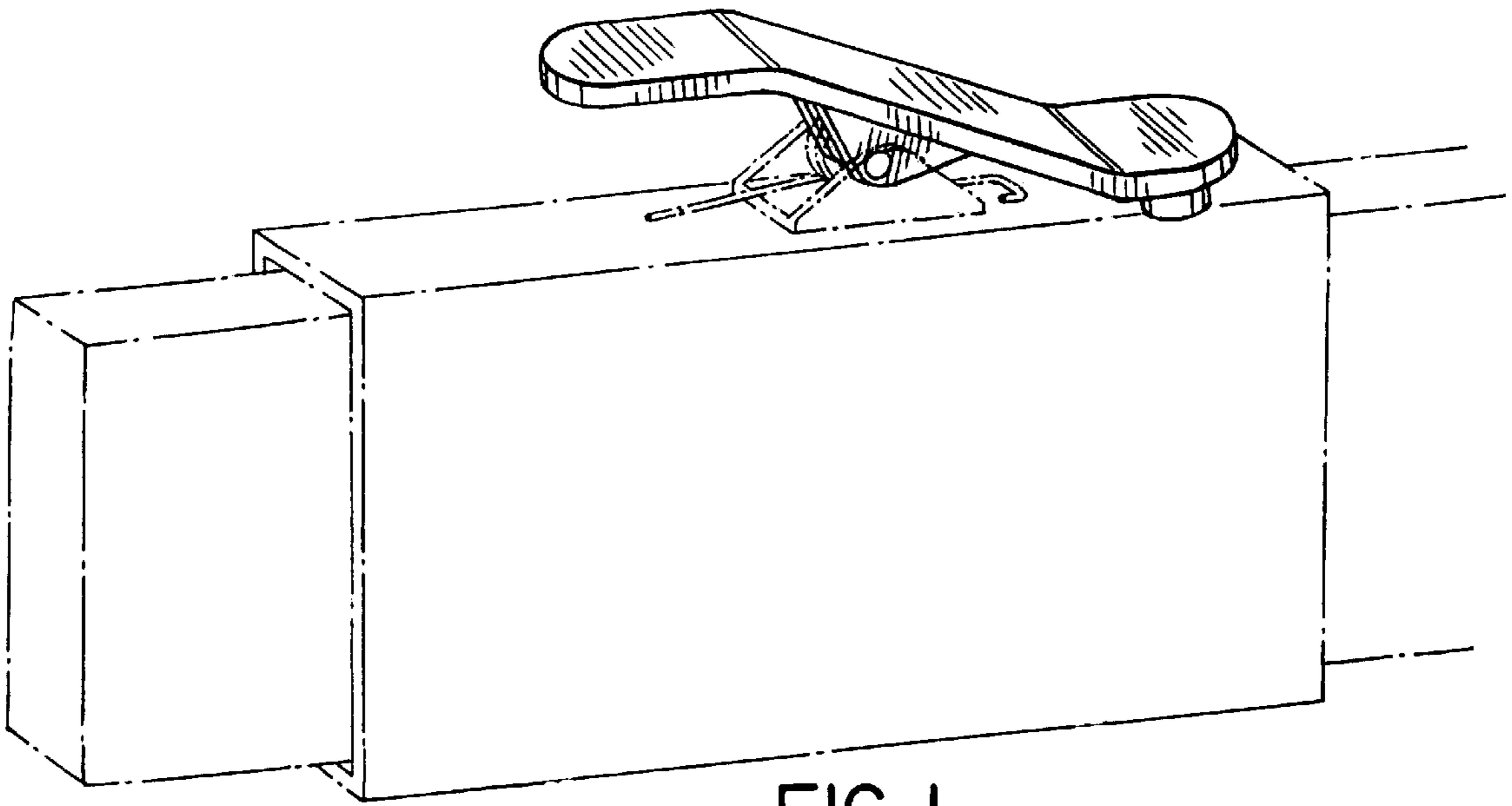


FIG. 1

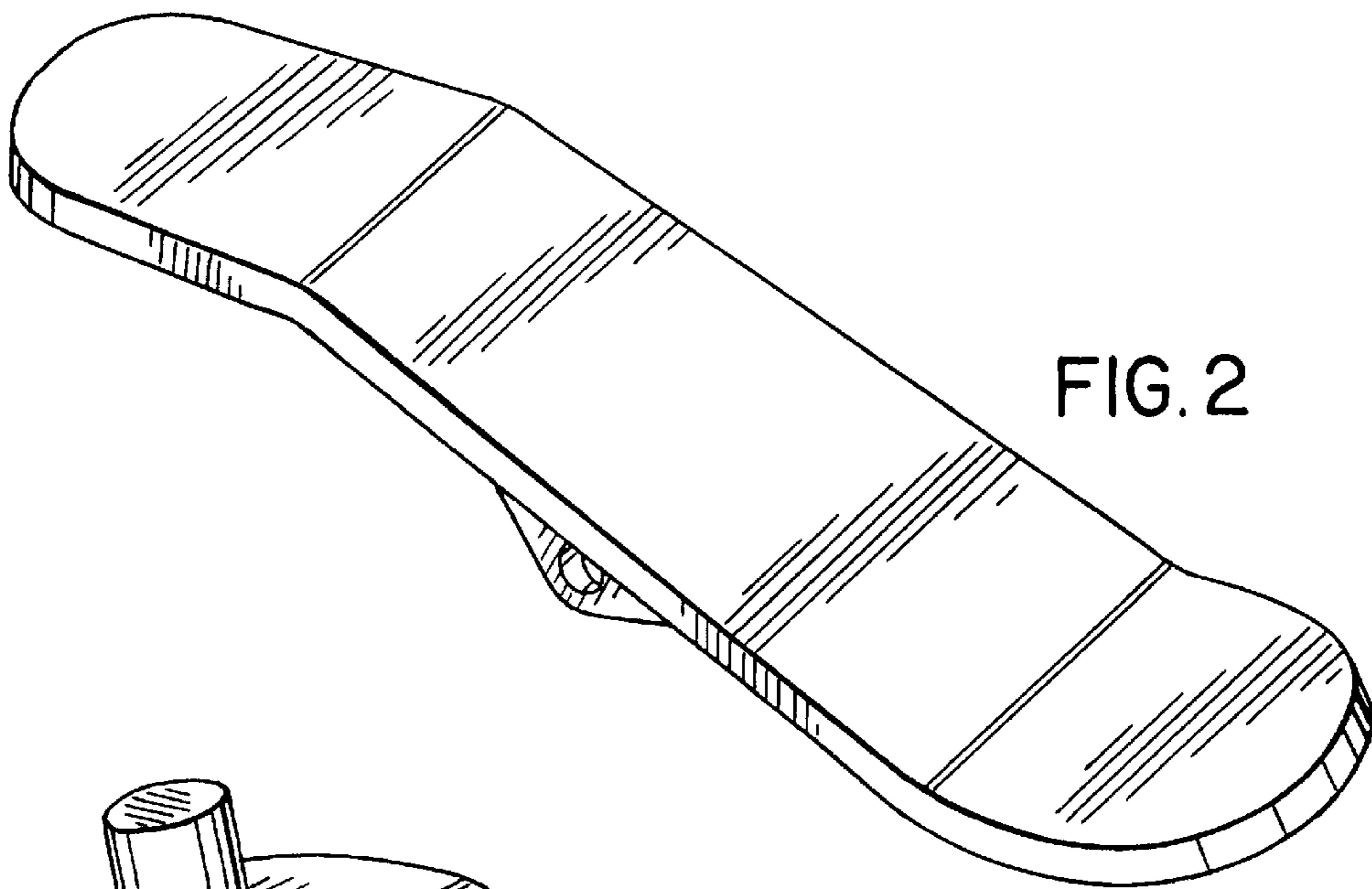


FIG. 2

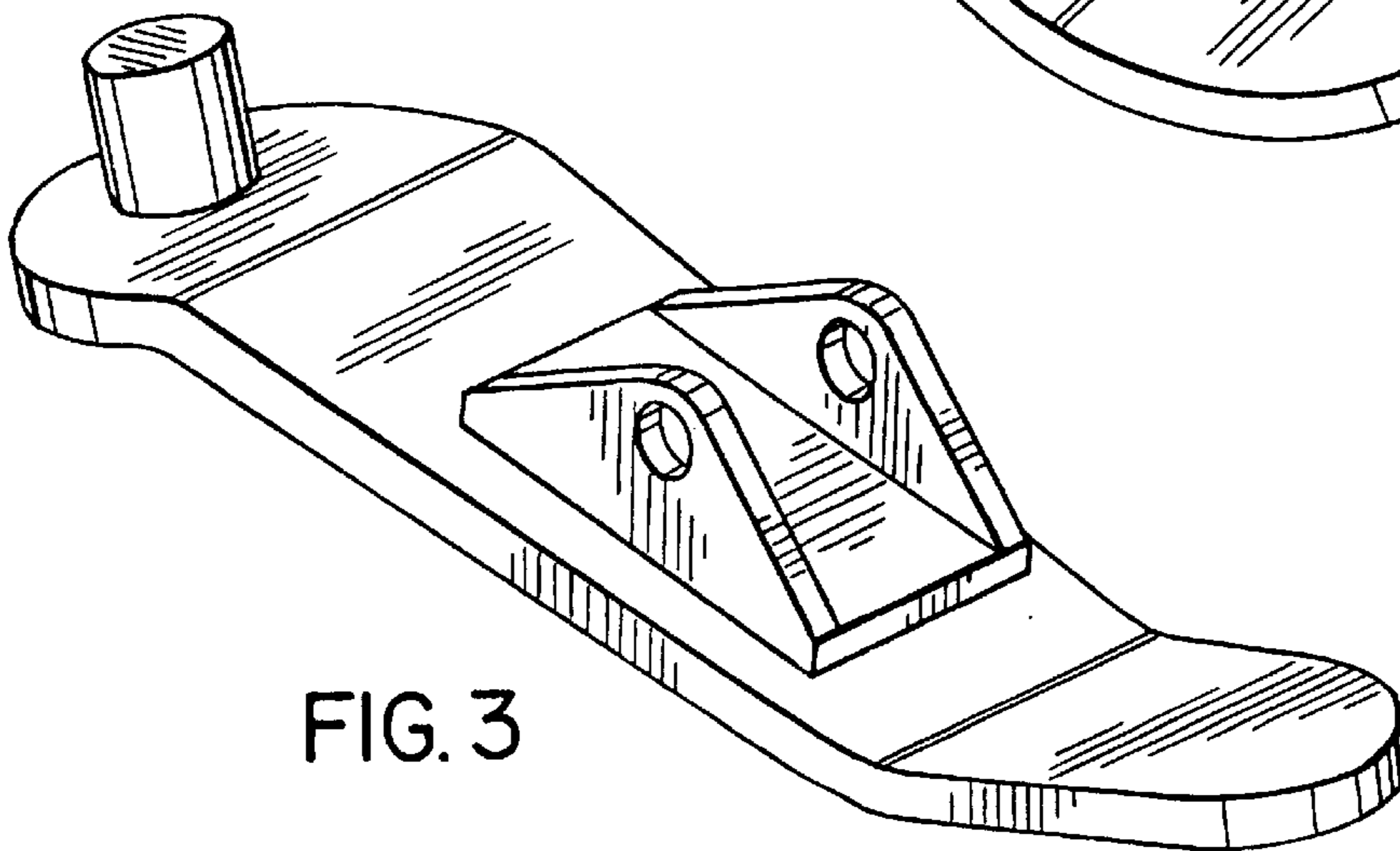


FIG. 3