



US00D439819S

(12) **United States Design Patent**  
**Bass et al.**

(10) **Patent No.: US D439,819 S**

(45) **Date of Patent: \*\* Apr. 3, 2001**

(54) **GUARD FOR A CUT-OFF TOOL**

(75) Inventors: **Gary S. Bass**, Independence, KY (US);  
**Ronald J. Mulford**, Aurora, IN (US)

(73) Assignee: **Campbell Hausfeld/Scott Fetzer Company**, Harrison, OH (US)

(\*\*) Term: **14 Years**

(21) Appl. No.: **29/128,122**

(22) Filed: **Aug. 18, 2000**

(51) **LOC (7) Cl. .... 08-05**

(52) **U.S. Cl. .... D8/70**

(58) **Field of Search** ..... D8/61-70; 81/57.11,  
81/54, 57.42; 173/170, 104; 451/358, 359,  
390, 451; 30/391

(56) **References Cited**

**U.S. PATENT DOCUMENTS**

D. 168,901	*	2/1953	Maclay	.....	D8/62
D. 323,100	*	1/1992	Pastore	.....	D8/70
D. 337,500	*	7/1993	Hutchings, II	.....	D8/70
D. 344,879	*	3/1994	Chan	.....	D8/70
D. 382,780	*	8/1997	Meisner et al.	.....	D8/8
D. 400,417	*	11/1998	Moran, II	.....	D8/70
D. 407,617	*	4/1999	Cooper et al.	.....	D8/70
D. 421,703	*	3/2000	Isaksen	.....	D8/70
4,059,930	*	11/1977	Alessio	.....	451/451
4,891,915	*	1/1990	Yasuda	.....	451/359
5,005,321	*	4/1991	Barth et al.	.....	451/359
5,031,325	*	7/1991	Walter et al.	.....	30/390
5,637,035	*	6/1997	Yee	.....	451/358
5,737,843	*	4/1998	Fringer et al.	.....	30/391
5,766,062	*	6/1998	Edling	.....	451/451
5,911,281	*	6/1999	Treskog et al.	.....	173/104

**OTHER PUBLICATIONS**

Copies of the front cover, rear cover and pp. 22-23 of a Campbell Hausfeld "Powered Equipment" catalog dated Jul. 2000, labeled "SL955400AV", showing prior art designs. Prior to Aug. 18, 2000.

Four pages (1-4) which together show an entire undated fanfold Chicago Pneumatic catalog, labeled "AL149710(R1)", showing prior art designs. Prior to Aug. 18, 2000.

Copies of both sides of an undated tri-fold Husky "Product Guide" catalog, showing prior art designs. Prior to Aug. 18, 2000.

Copies of the front cover and pp. 110 and 112 of a Sears Craftsman catalog dated "2000-2001", showing prior art designs. Prior to Aug. 18, 2000.

Copies of the front cover and p. 5 of an undated Florida Pneumatic "Air Tools" catalog, showing prior art designs. Prior to Aug. 18, 2000.

Copies of the front cover, title page, and p. 27 of a Chicago Pneumatic "Air Tools" catalog, copyright 1995, showing prior art designs. Prior to Aug. 18, 2000.

Copies of the front cover and pp. 9 and 10 of a Chicago Pneumatic catalog dated Aug. 1988 and labeled "75 BP 8/88", showing prior art designs. Prior to Aug. 18, 2000.

(List continued on next page.)

*Primary Examiner*—Jeffrey Asch

(74) *Attorney, Agent, or Firm*—Jones, Day, Reavis & Pogue

(57) **CLAIM**

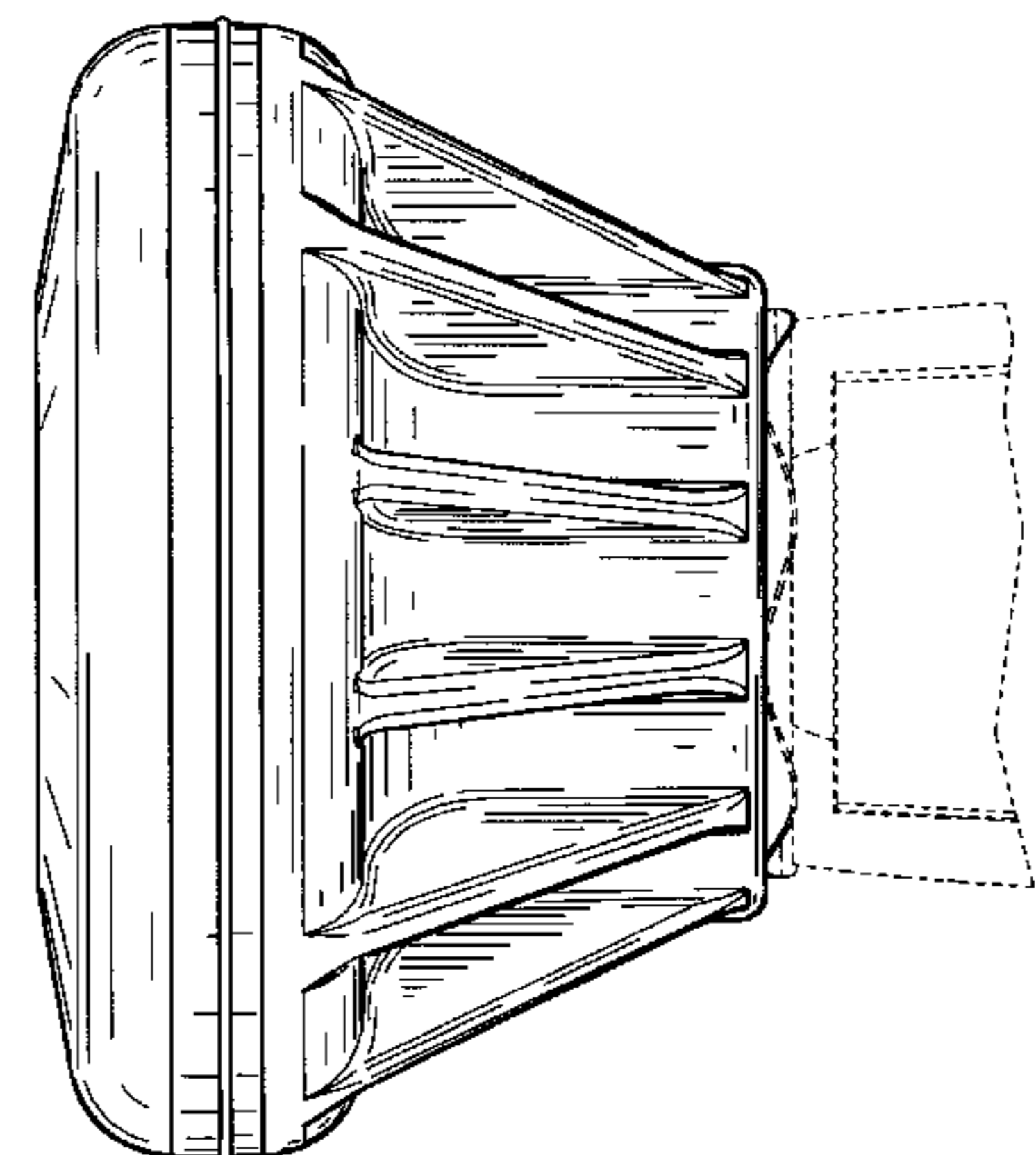
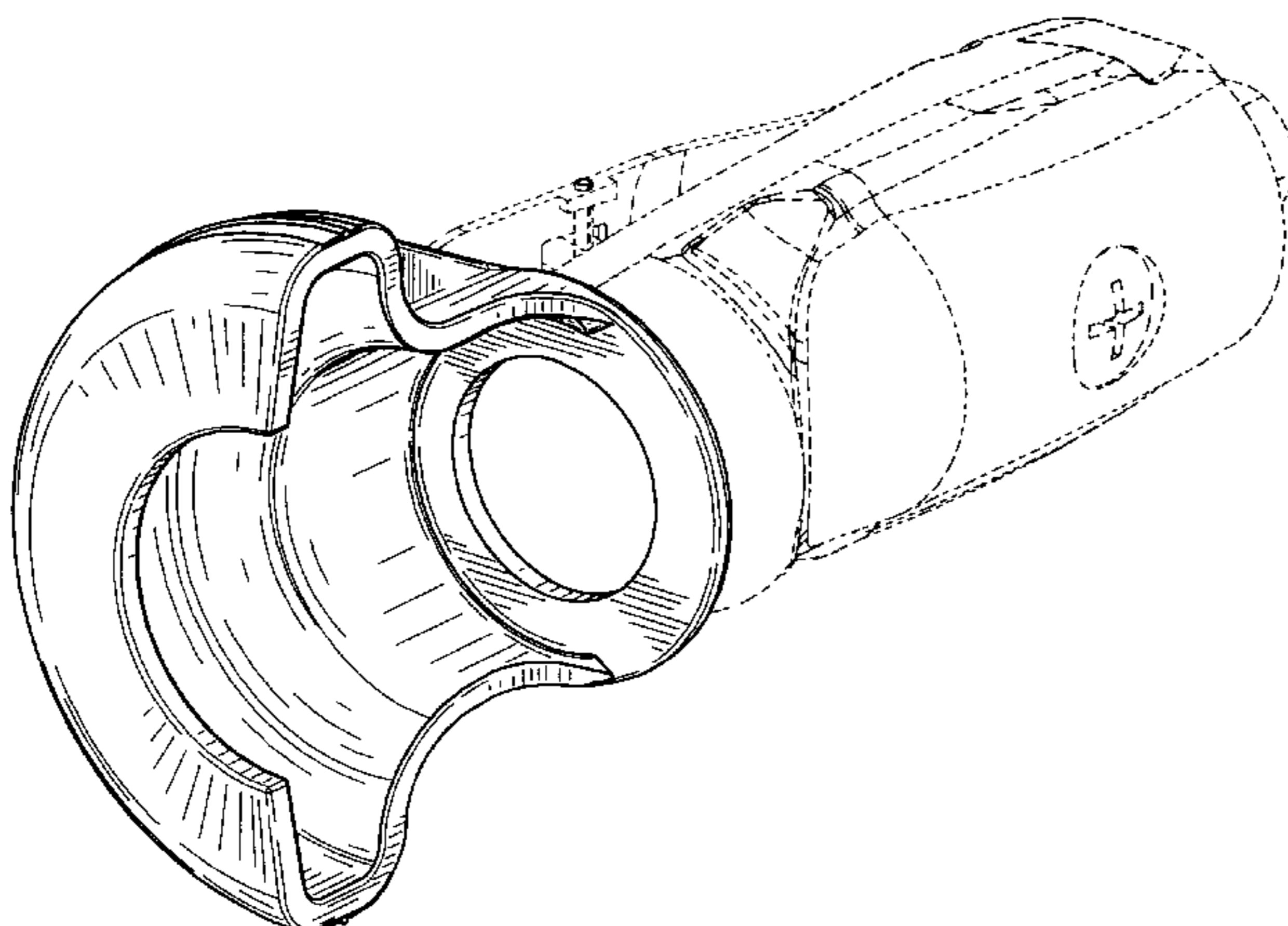
We claim the ornamental design for a guard for a cut-off tool, as shown and described.

**DESCRIPTION**

FIG. 1 is a perspective view of a guard for a cut-off tool, embodying the ornamental design of the present invention; FIG. 2 is a top view of the guard of FIG. 1; FIG. 3 is a bottom view of the guard of FIG. 1; FIG. 4 is a view of one side of the guard of FIG. 1; FIG. 5 is a view of an opposite side of the guard of FIG. 1; FIG. 6 is a front view of the guard of FIG. 1; and, FIG. 7 is a rear view of the guard of FIG. 1.

The broken line showings of FIGS. 1-7 are for illustrative purposes only and form no part of the claimed design.

**1 Claim, 4 Drawing Sheets**



**OTHER PUBLICATIONS**

Copy of a 1-page single-sided undated Campbell Hausfeld catalog sheet labeled "Air Powered Cut-Off Tool" and "TL1035", showing a prior art design. Prior to Aug. 18, 2000.

Copy of a 1-page single-sided undated Campbell Hausfeld catalog sheet labeled "Air Powered Cut-Off Tool" and "PL2535", showing a prior art design. Prior to Aug. 18, 2000.

\* cited by examiner

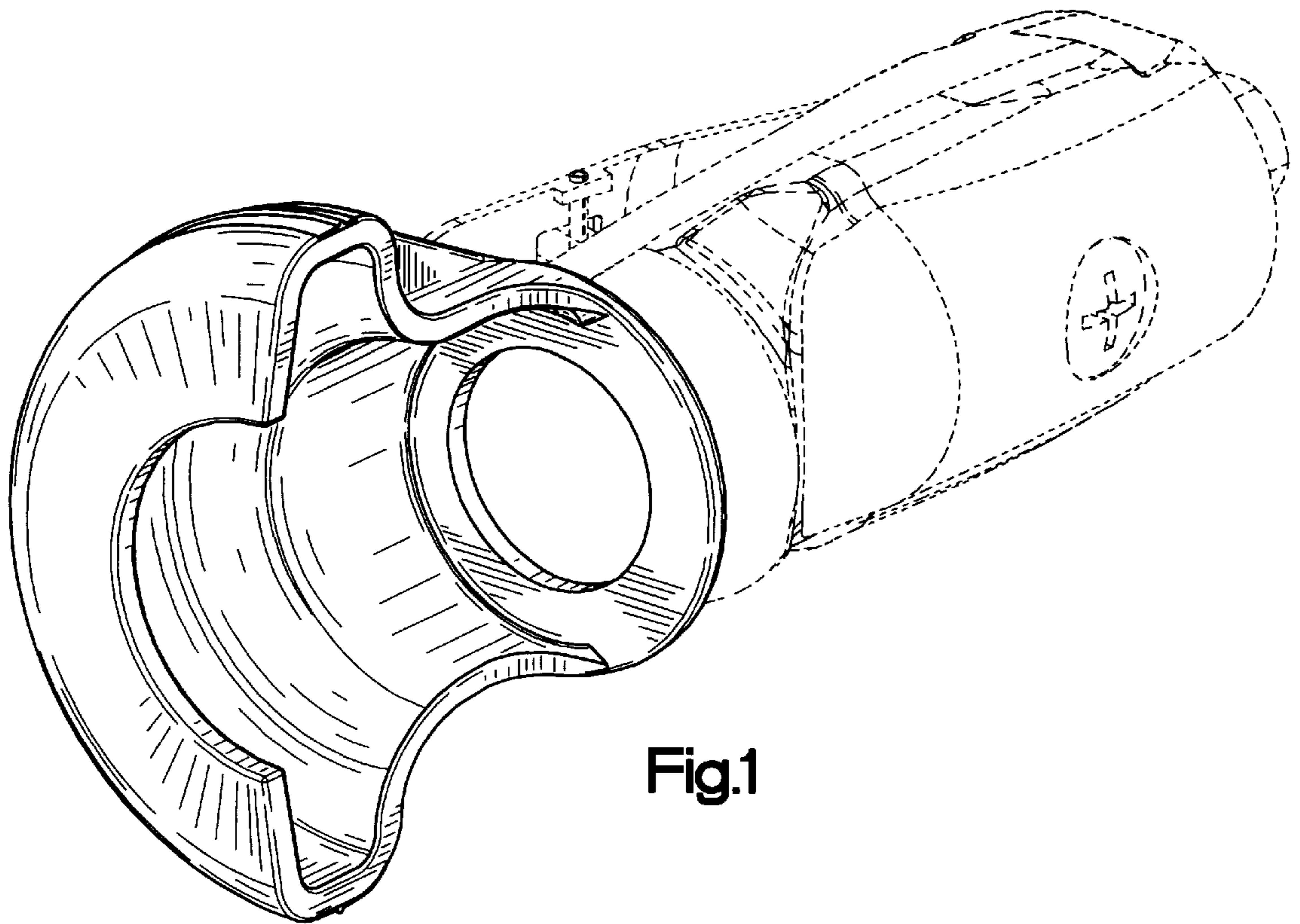


Fig.1

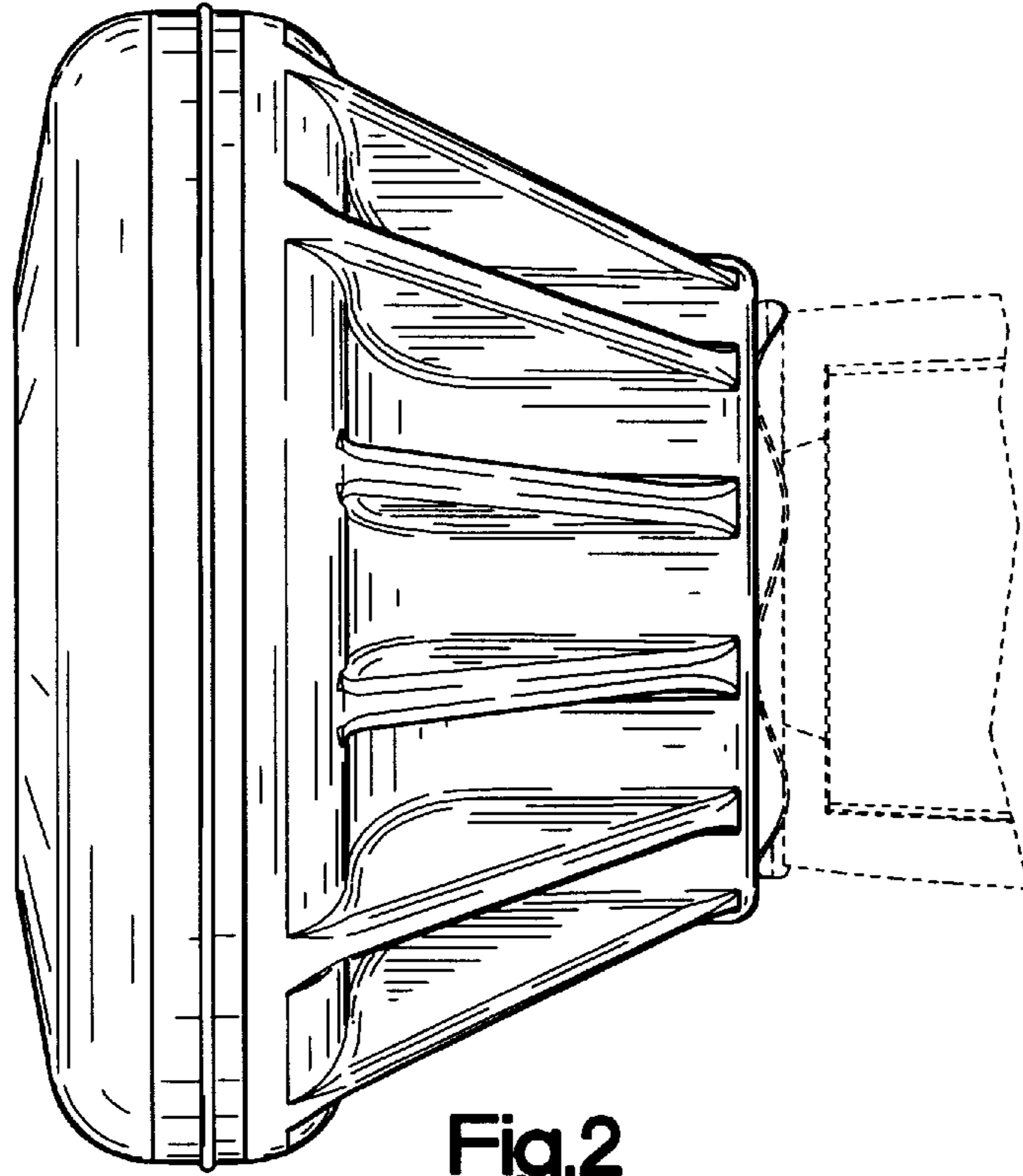


Fig.2

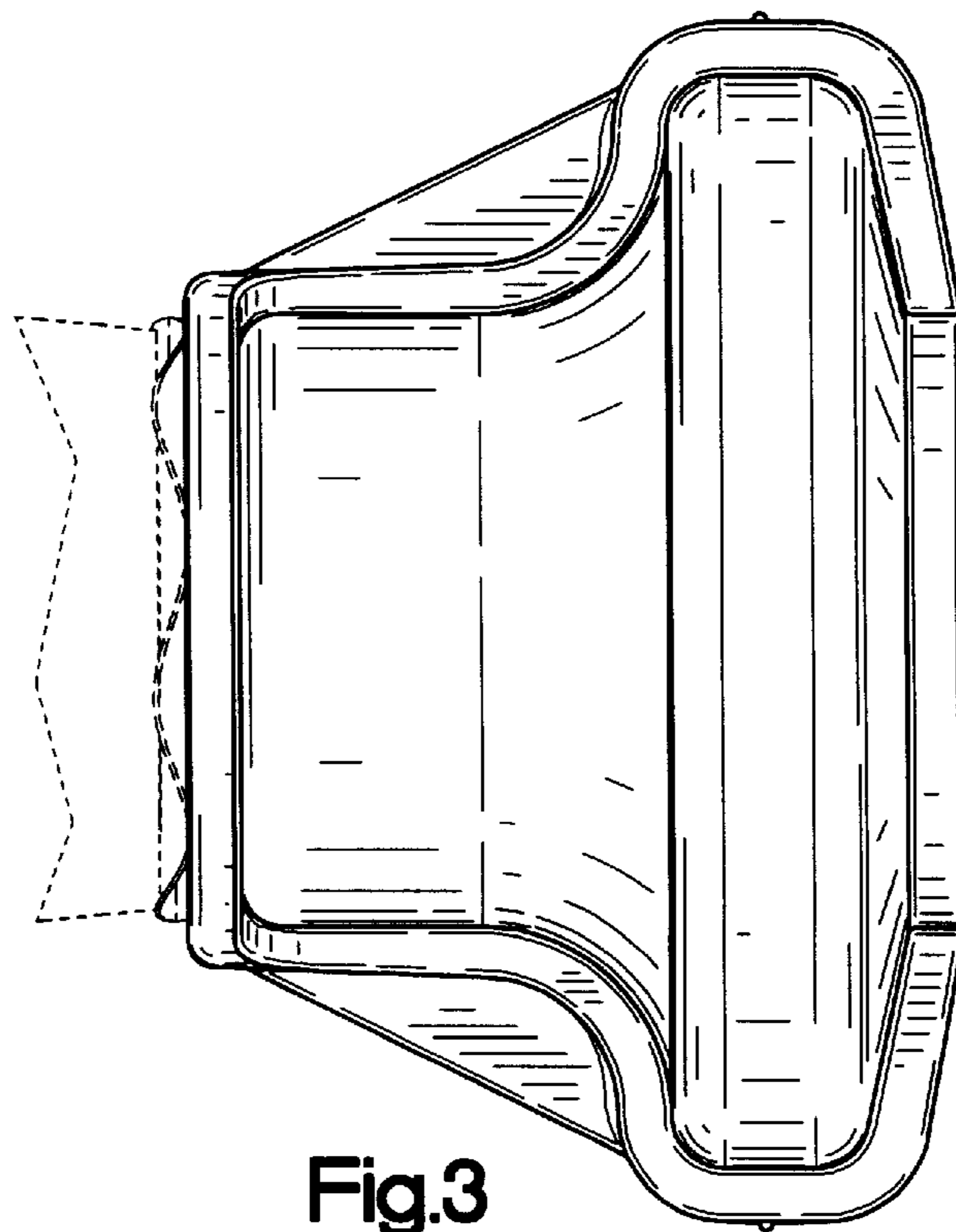


Fig.3

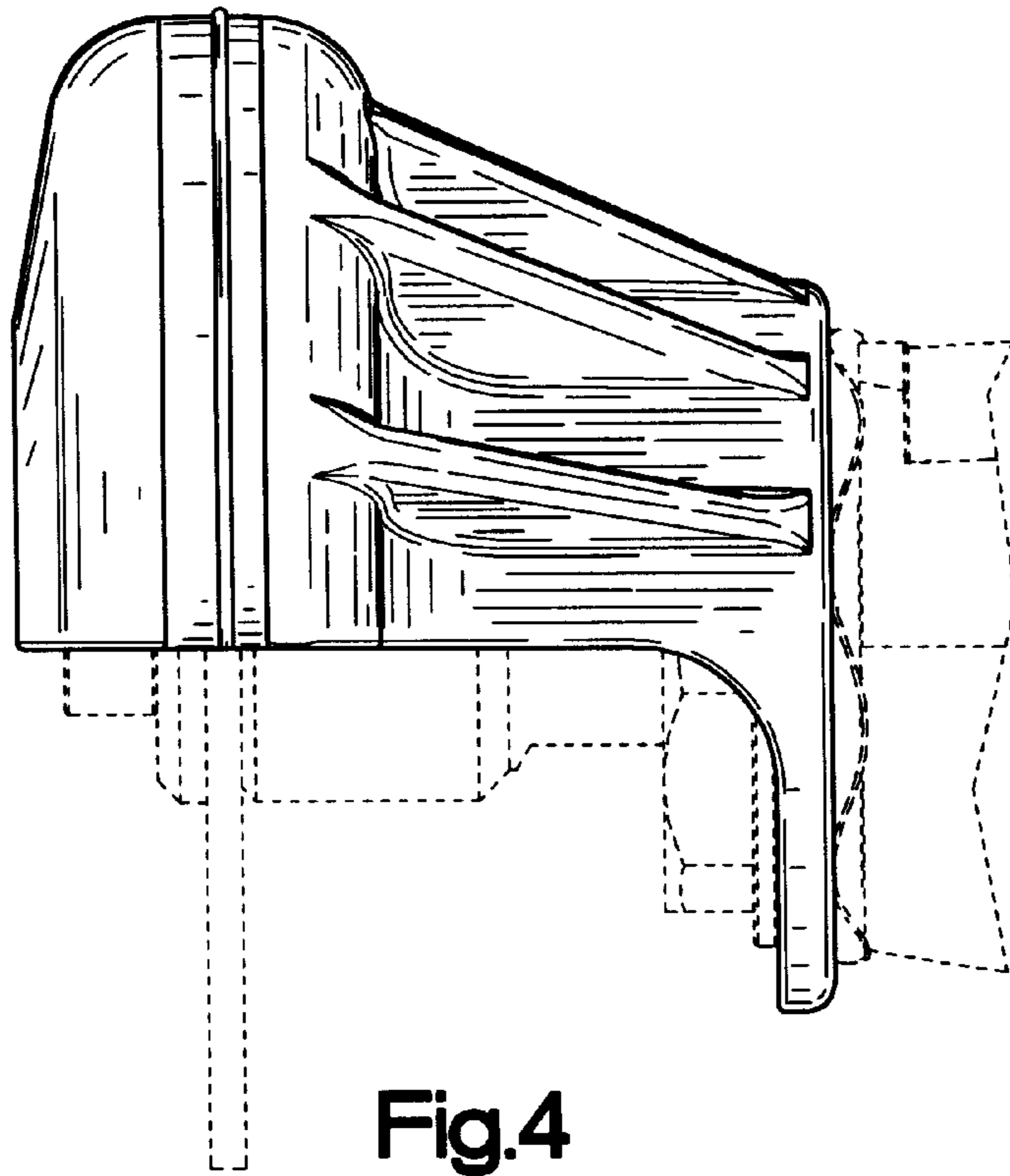


Fig.4

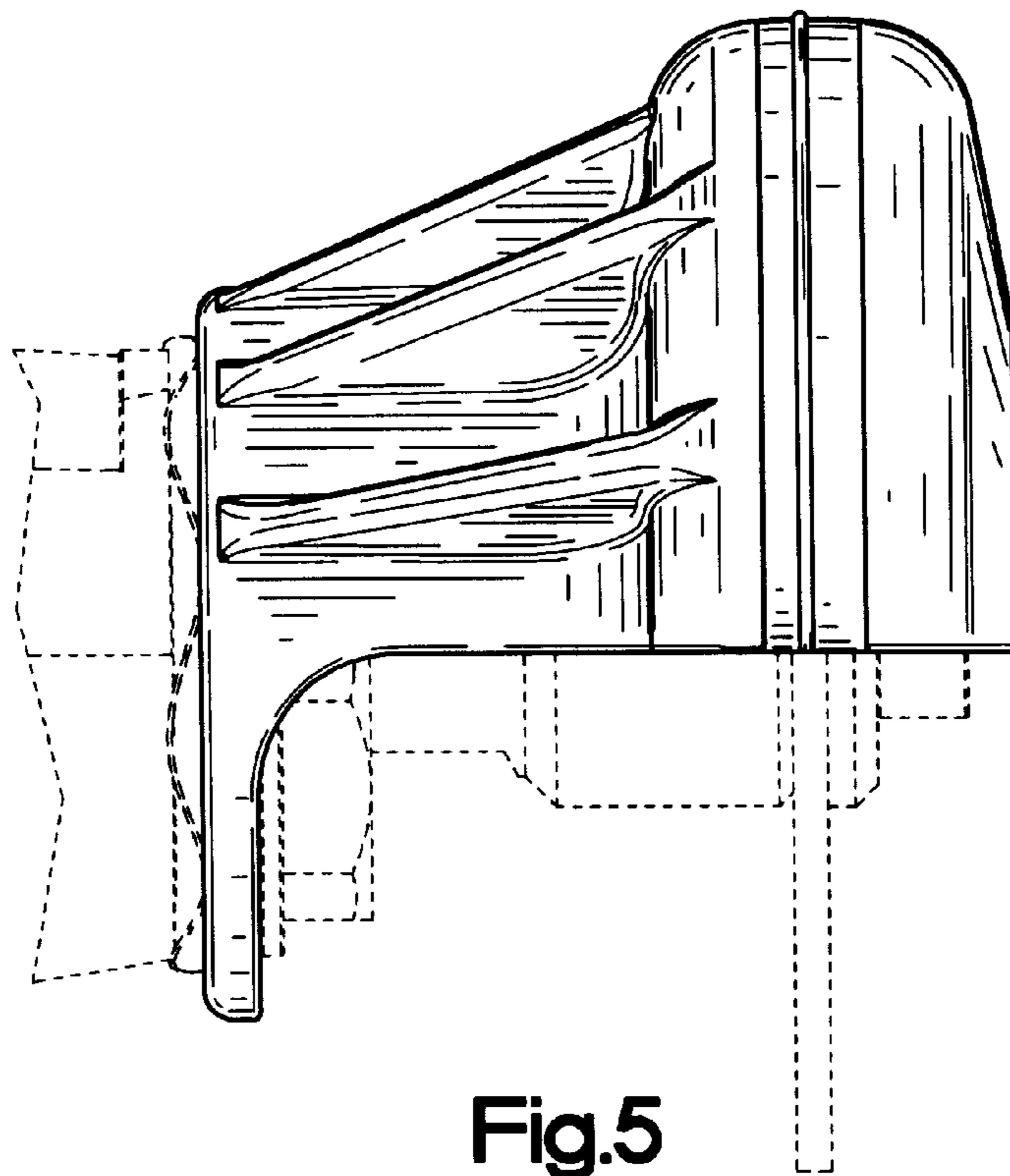


Fig.5

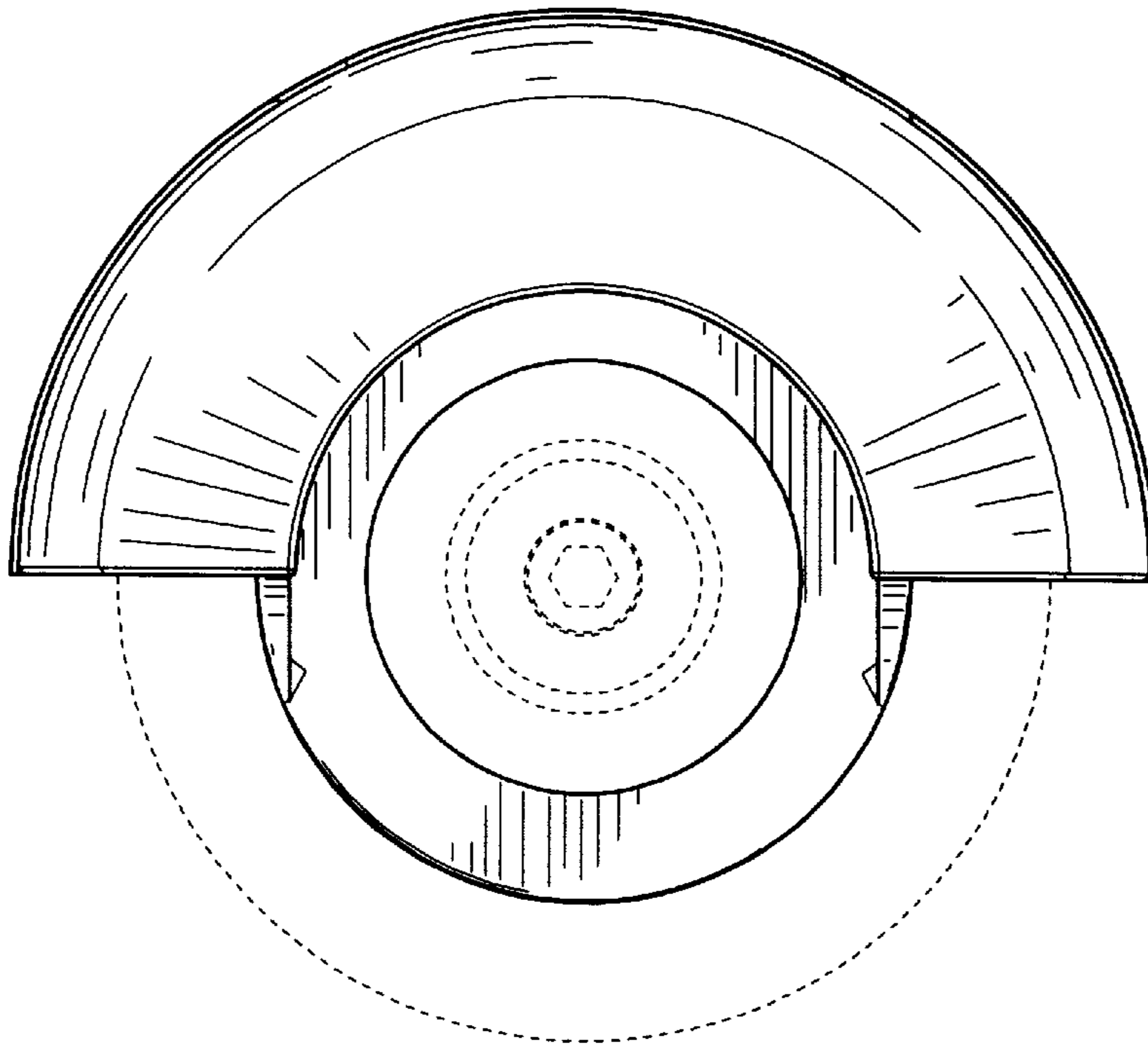


Fig.6

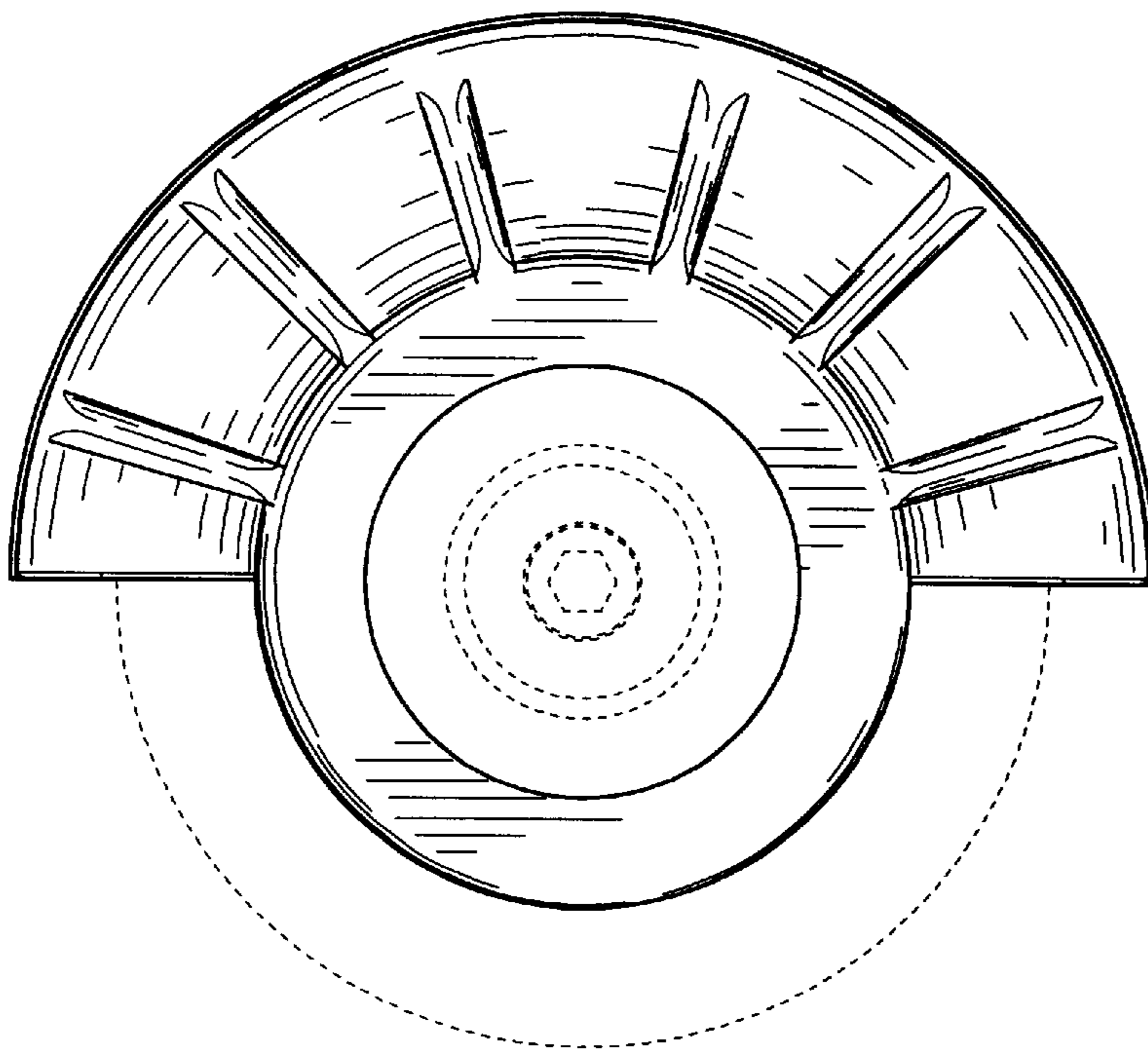


Fig.7