



US00D439818S

(12) **United States Design Patent**
Price

(10) **Patent No.:** **US D439,818 S**

(45) **Date of Patent:** **** Apr. 3, 2001**

(54) **IMPACT TOOL BODY PORTION**

(75) **Inventor:** **Scott D. Price**, Lebanon, NJ (US)

(73) **Assignee:** **Ingersoll-Rand Company**, Woodcliff Lake, NJ (US)

(**) **Term:** **14 Years**

(21) **Appl. No.:** **29/107,647**

(22) **Filed:** **Jul. 9, 1999**

(51) **LOC (7) Cl.** **08-05**

(52) **U.S. Cl.** **D8/70; D8/68**

(58) **Field of Search** D8/68, 70; 81/54,
81/57.13, 57.14; 173/169, 170; 408/124,
125

(56) **References Cited**

U.S. PATENT DOCUMENTS

D. 215,407	9/1969	Hackerman et al.	D8/61	
D. 223,134	*	3/1972	Bunyes	D8/61
D. 327,829		7/1992	Mochida	D8/61
3,352,368	*	11/1967	Maffey, Jr.	D8/61
4,063,601		12/1977	Blek	173/93.5

OTHER PUBLICATIONS

P. 81 of Design Catalog "Industrial Professional Tools and Equipment", received by Japanese Patent Office on Sep. 16, 1997, entitled "Portable Impact Wrench".

* cited by examiner

Primary Examiner—Antoine Duval Davis

(74) *Attorney, Agent, or Firm*—Leon Nigohosian, Jr.

(57) **CLAIM**

The ornamental design of an impact tool body portion, as shown and described.

DESCRIPTION

FIG. 1 is an isometric view of an impact tool body portion showing my design;

FIG. 2 is a left side view of FIG. 1;

FIG. 3 is a right side view of FIG. 1;

FIG. 4 is a front view of FIG. 1;

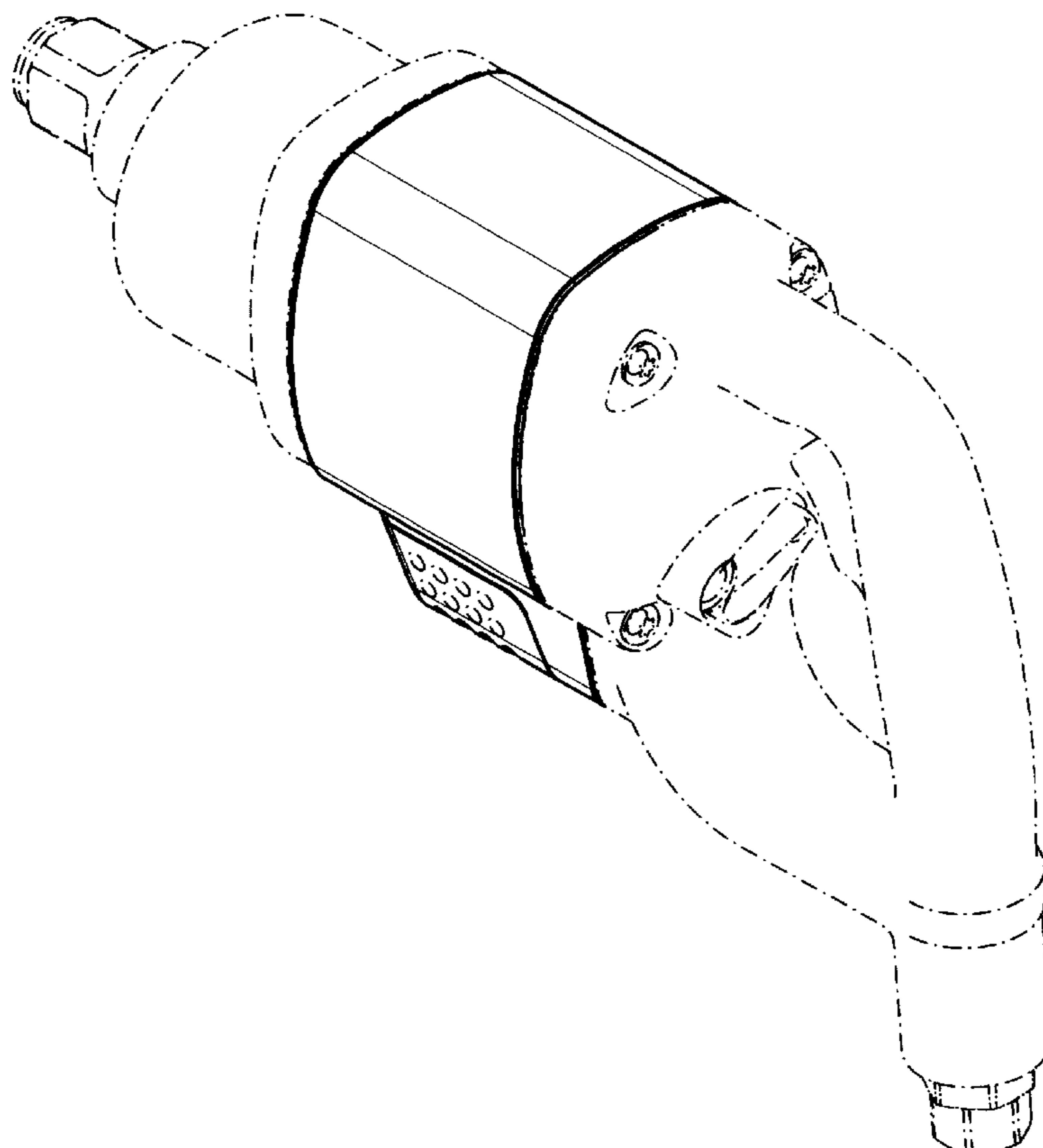
FIG. 5 is a top view of FIG. 1; and,

FIG. 6 is a bottom view of FIG. 1.

The broken lines which define the bounds of the claimed design form no part thereof.

The surface(s) or portion(s) of the article not shown in the drawing or described in the specification form(s) no part of the claimed design.

1 Claim, 3 Drawing Sheets



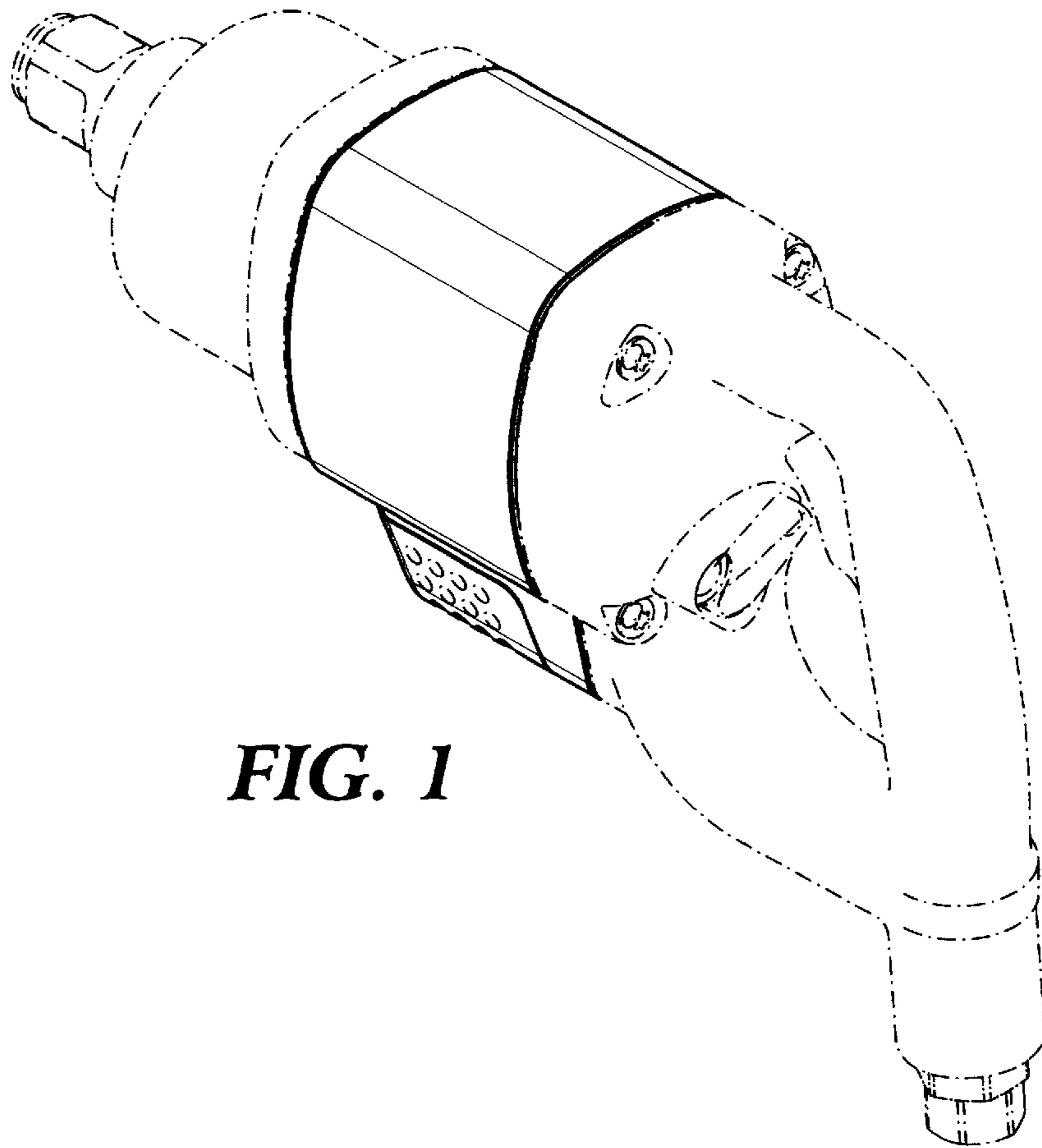


FIG. 1

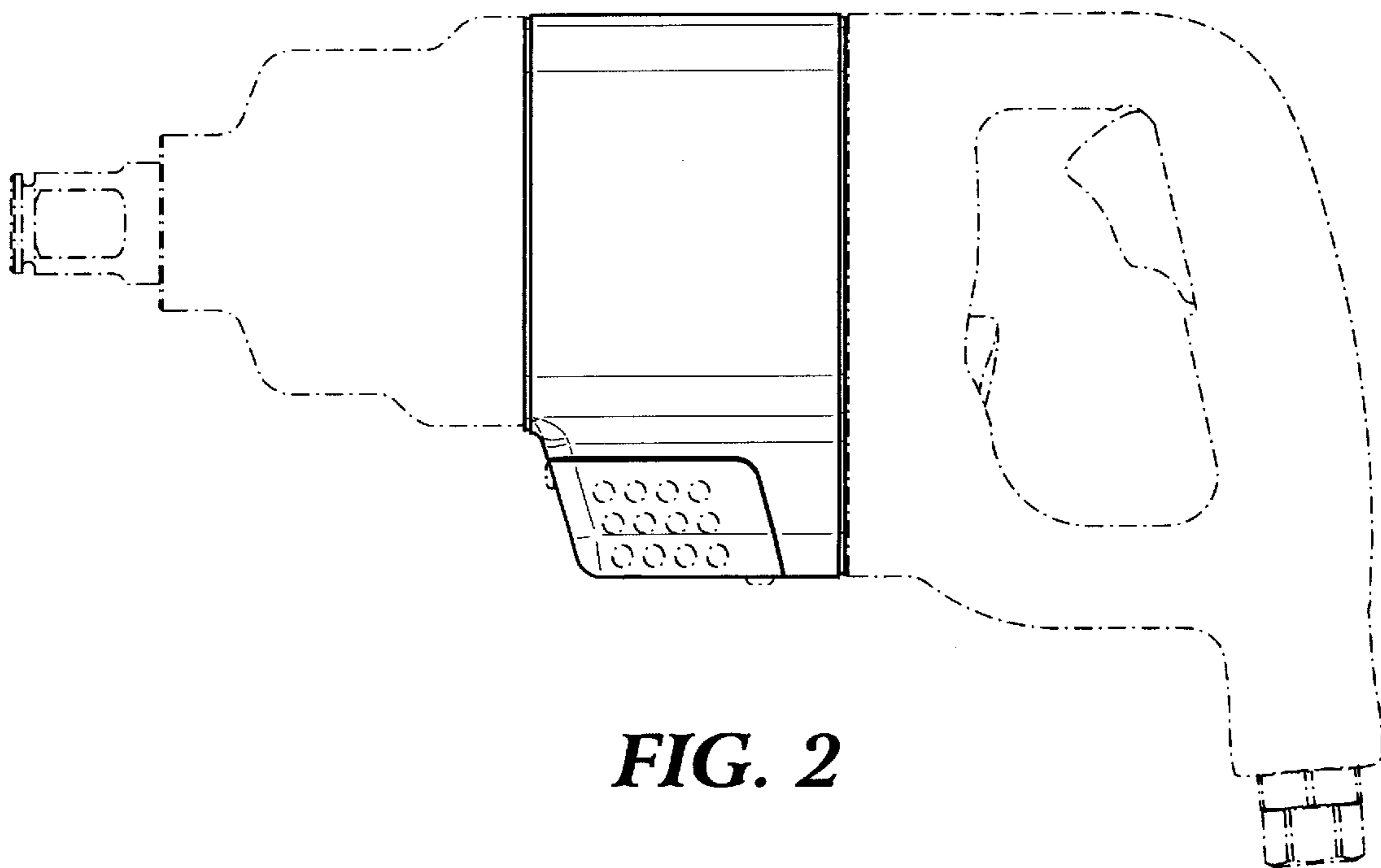


FIG. 2

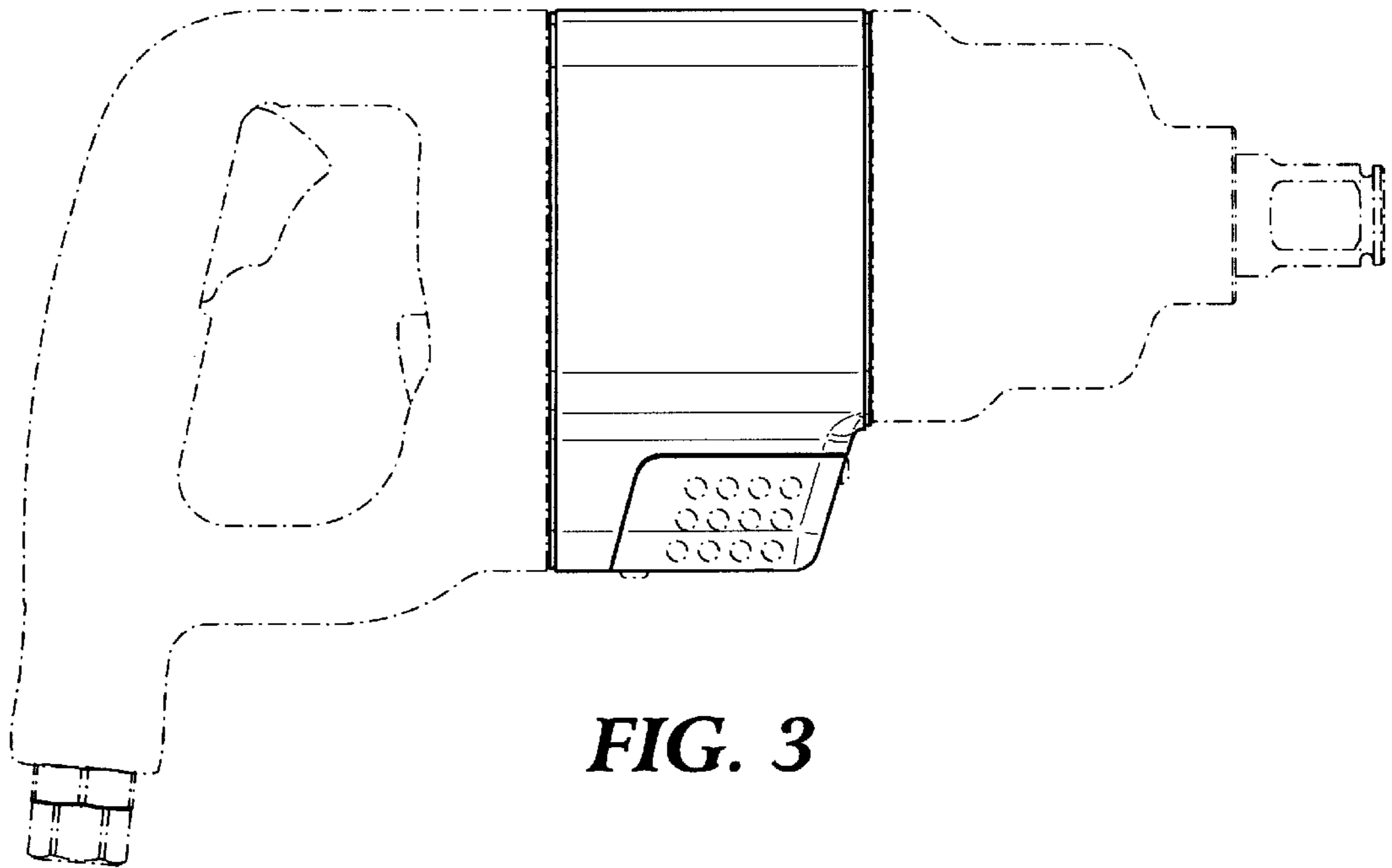


FIG. 3

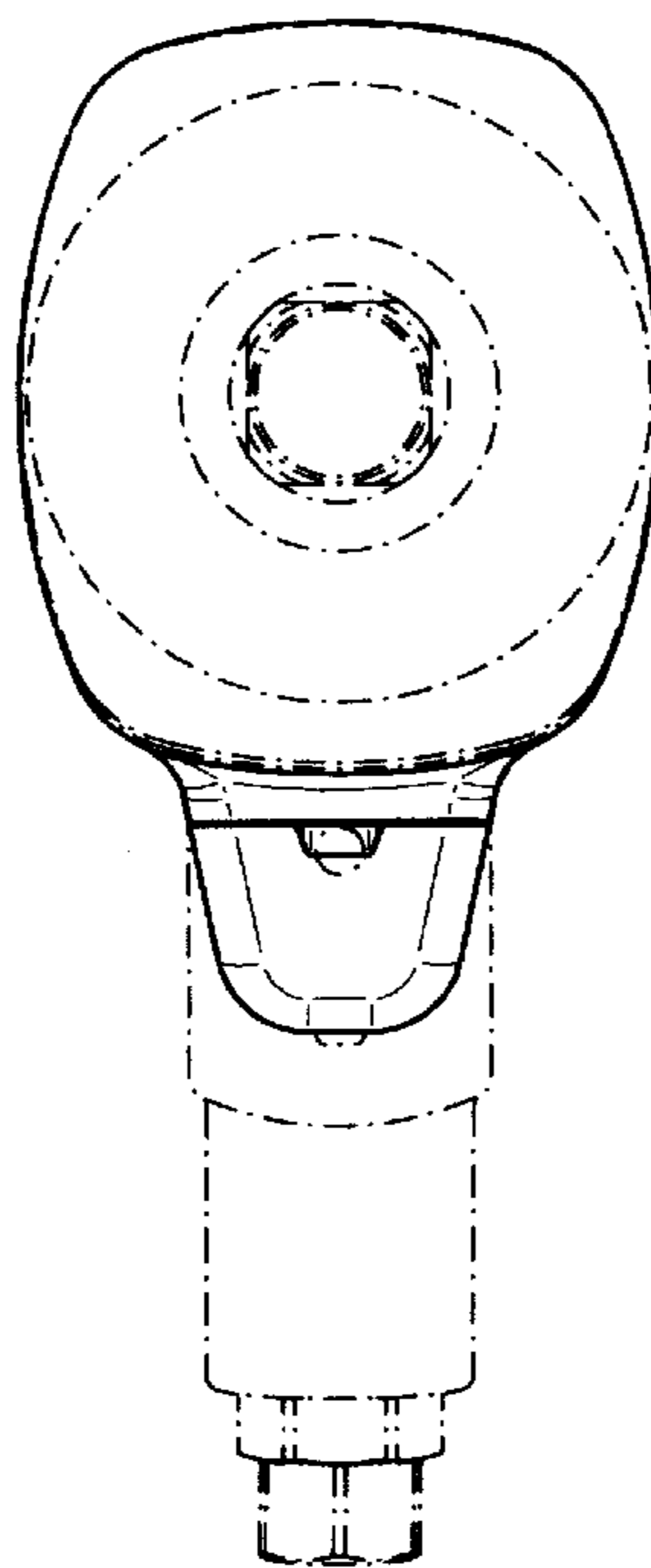


FIG. 4

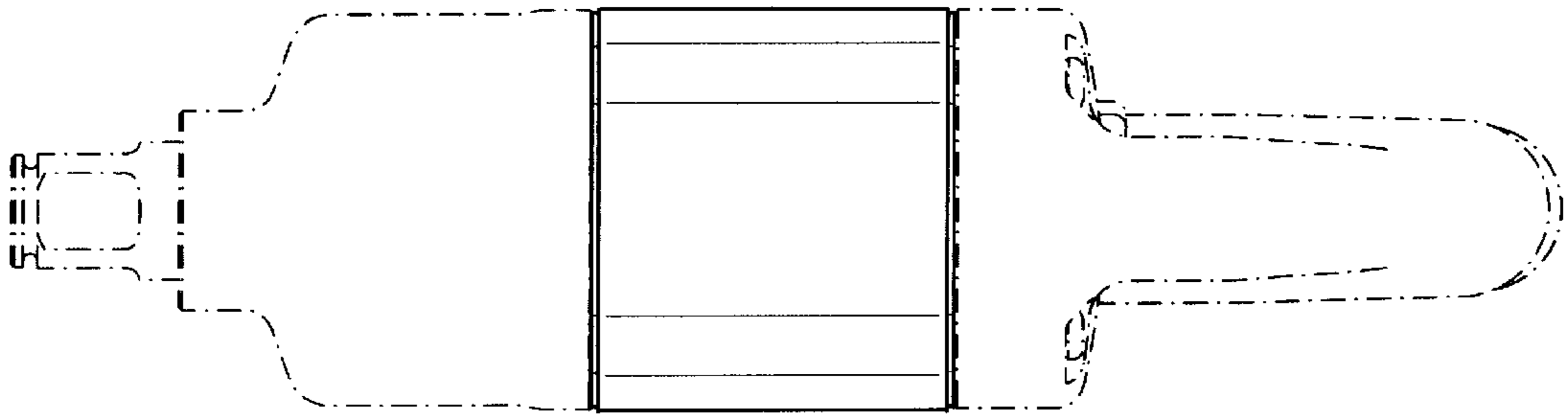


FIG. 5

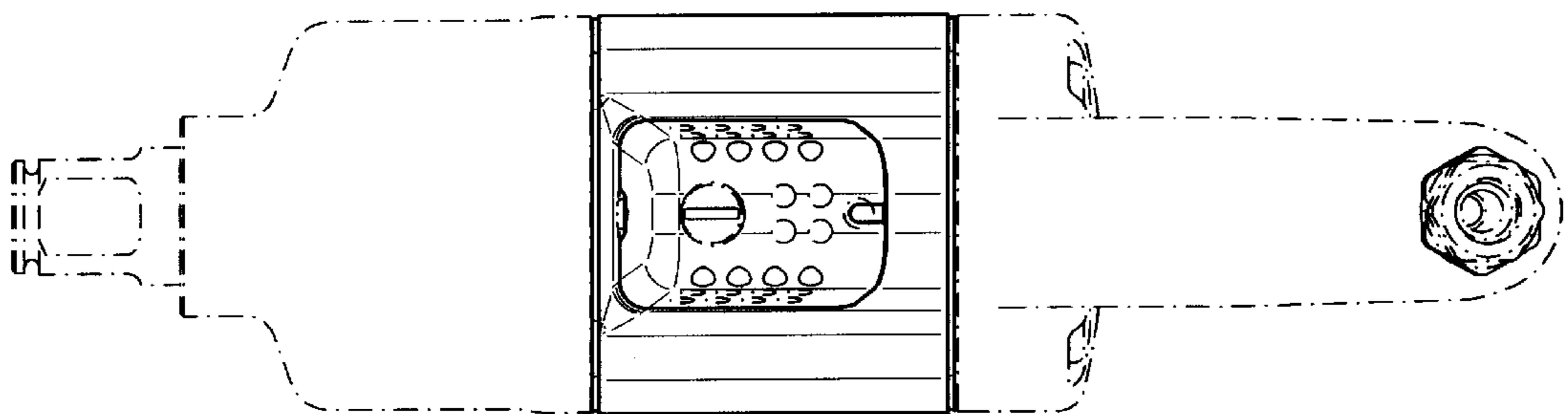


FIG. 6