



US00D439810S

(12) **United States Design Patent**
Lambrecht et al.

(10) **Patent No.:** **US D439,810 S**

(45) **Date of Patent:** **** Apr. 3, 2001**

(54) **PASTA TONGS**

(75) Inventors: **Anke Lambrecht**, Hamburg (DE);
Victor J. J. Cautereels, Ranst (BE)

(73) Assignee: **Dart Industries Inc**, Orlando, FL (US)

(**) Term: **14 Years**

(21) Appl. No.: **29/125,306**

(22) Filed: **Jun. 21, 2000**

(51) **LOC (7) Cl.** **07-06**

(52) **U.S. Cl.** **D7/686**

(58) **Field of Search** D7/686, 687; 294/3,
294/8.5, 11, 16, 99.1, 99.2, 118, 119

(56) **References Cited**

U.S. PATENT DOCUMENTS

- D. 168,289 12/1952 David .
- D. 171,988 4/1954 Rossman .
- 221,152 * 11/1879 Burgess 294/11
- D. 236,416 * 8/1975 Davis D7/686

- D. 291,763 9/1987 Dunn et al. .
- D. 341,996 * 12/1993 Tanfoglio D7/686
- D. 341,998 12/1993 Tanfoglio .
- D. 406,734 3/1999 Doherty et al. D7/686

* cited by examiner

Primary Examiner—Terry A. Wallace

(74) *Attorney, Agent, or Firm*—Taylor J. Ross

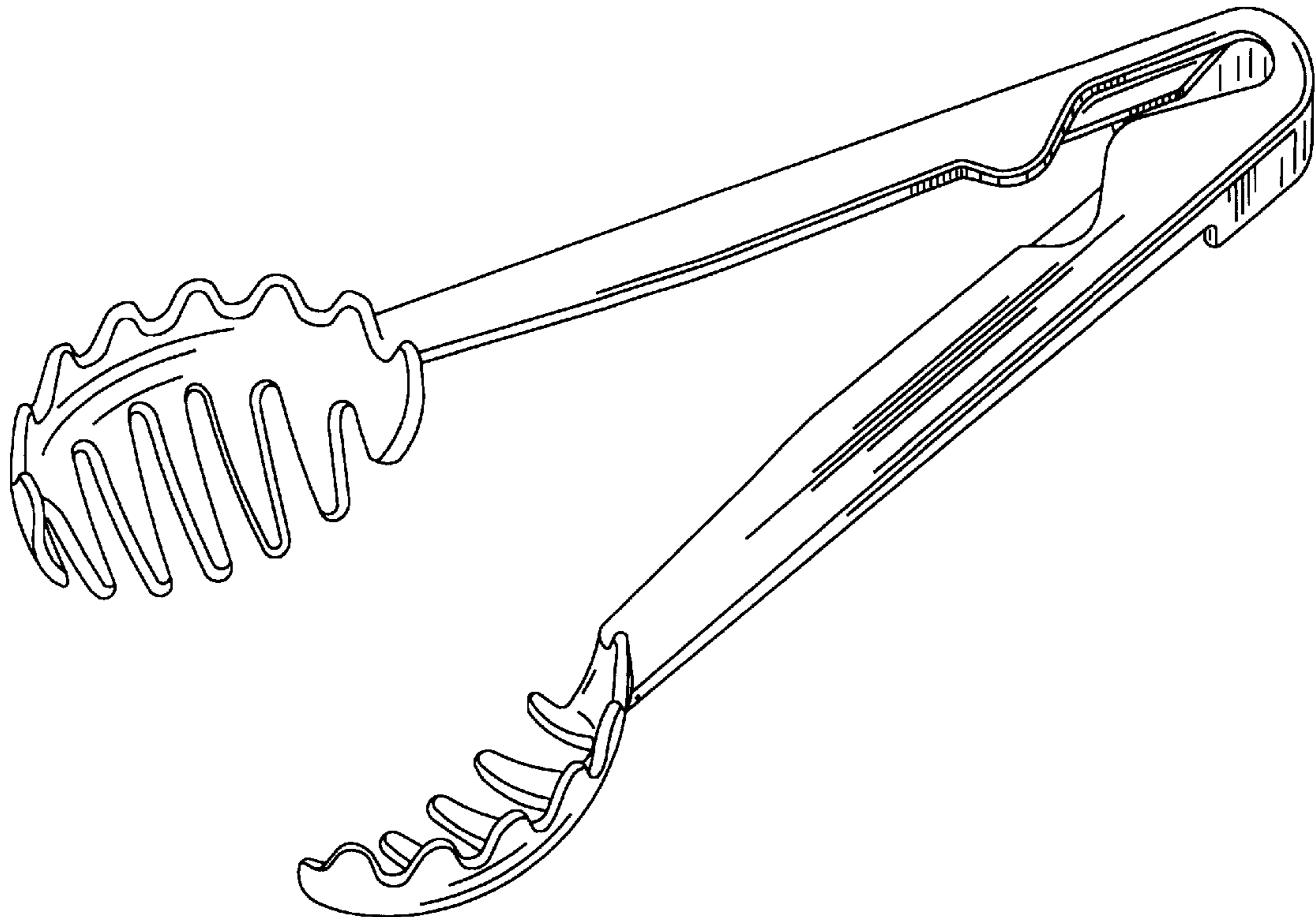
(57) **CLAIM**

The ornamental design for pasta tongs, as shown and described.

DESCRIPTION

FIG. 1 is a top, side and front perspective view of a pasta tongs showing the new design;
 FIG. 2 is a right side elevation view thereof;
 FIG. 3 is a left side elevation view thereof;
 FIG. 4 is a rear elevation view thereof;
 FIG. 5 is a front elevation view thereof;
 FIG. 6 is a top plan view thereof; and,
 FIG. 7 is a bottom plan view thereof.

1 Claim, 3 Drawing Sheets



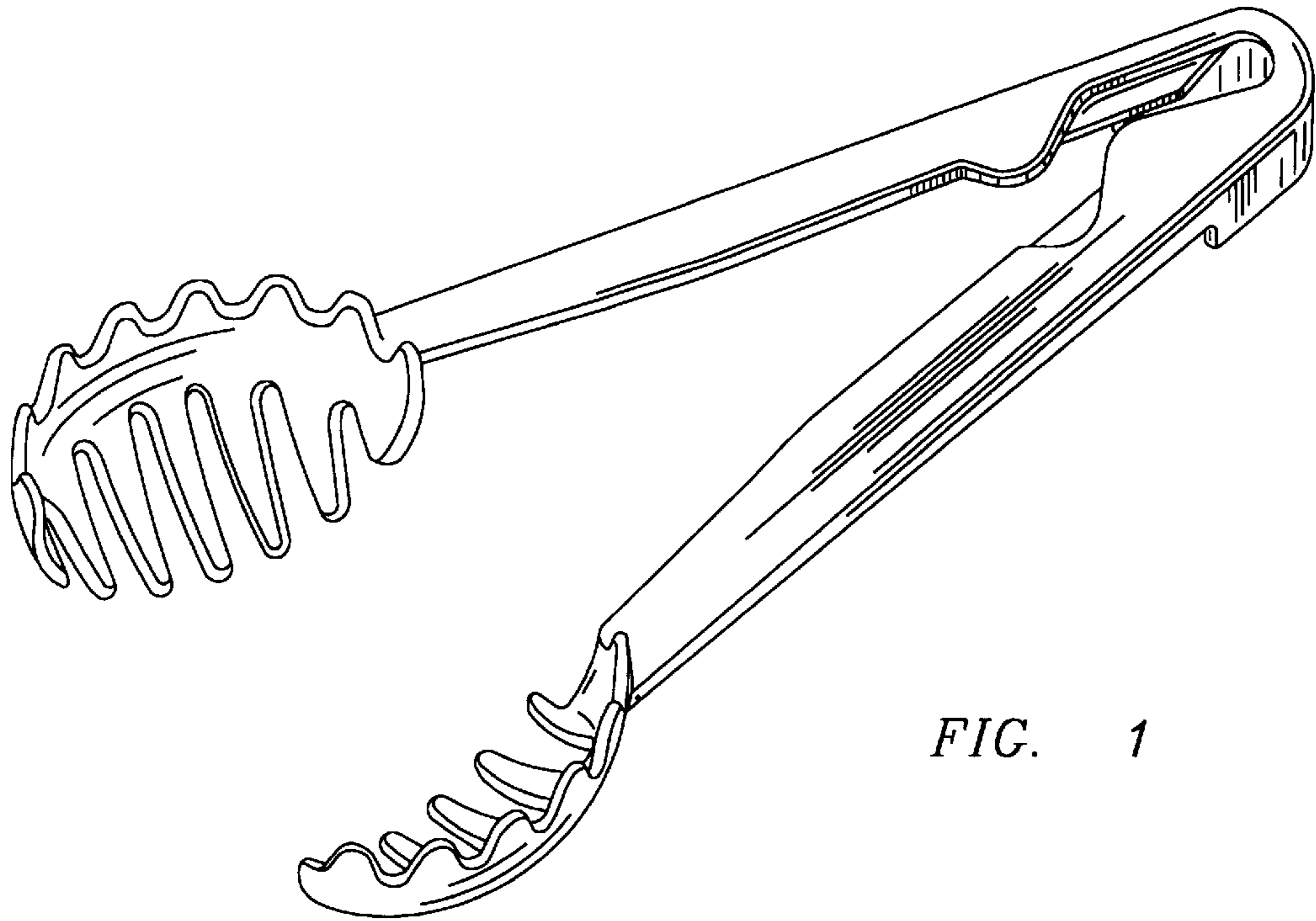


FIG. 1

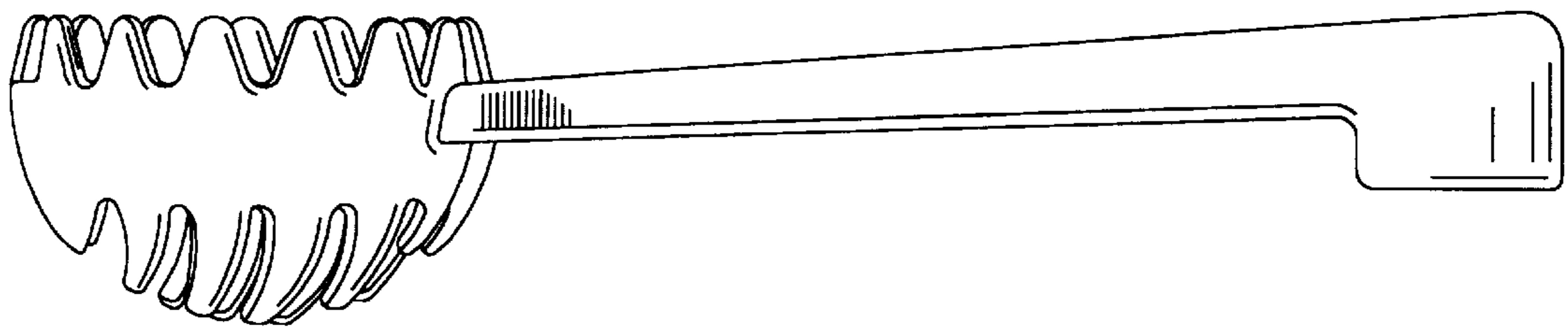


FIG. 2

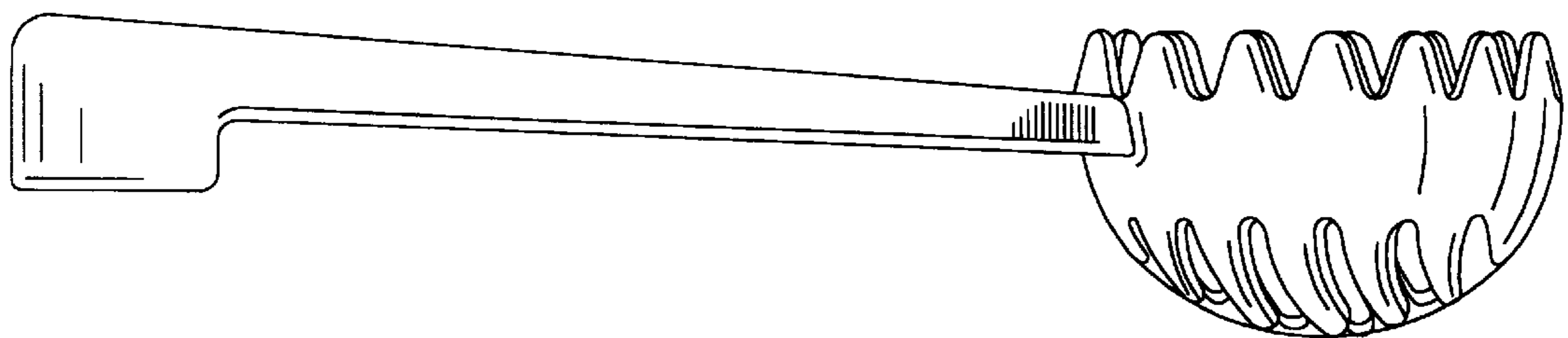


FIG. 3

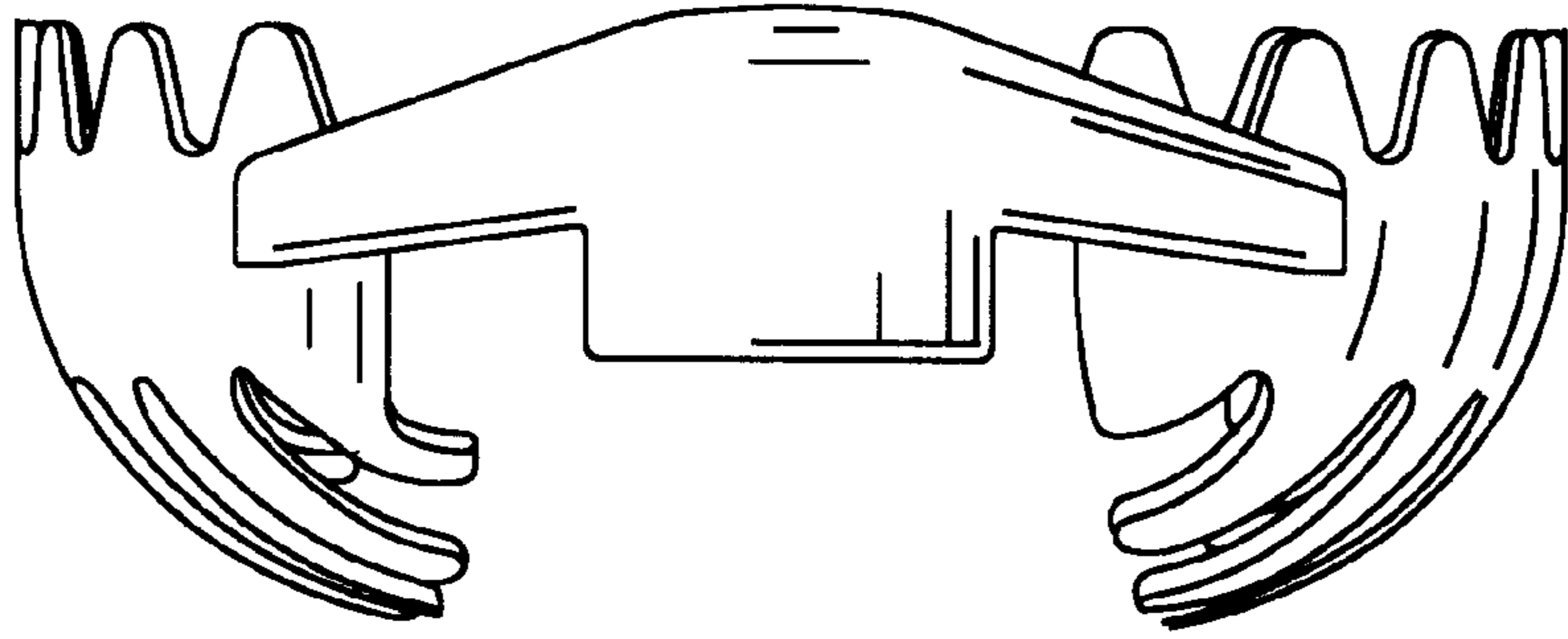


FIG. 4

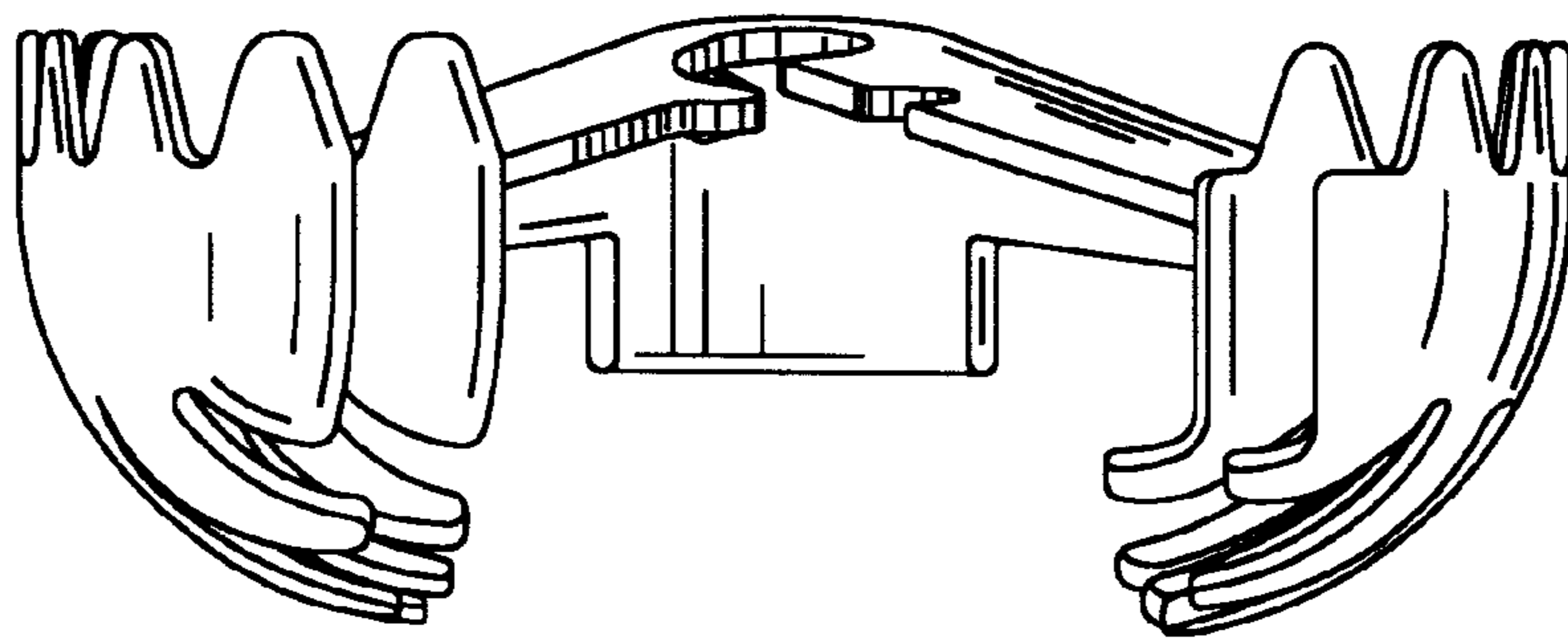


FIG. 5

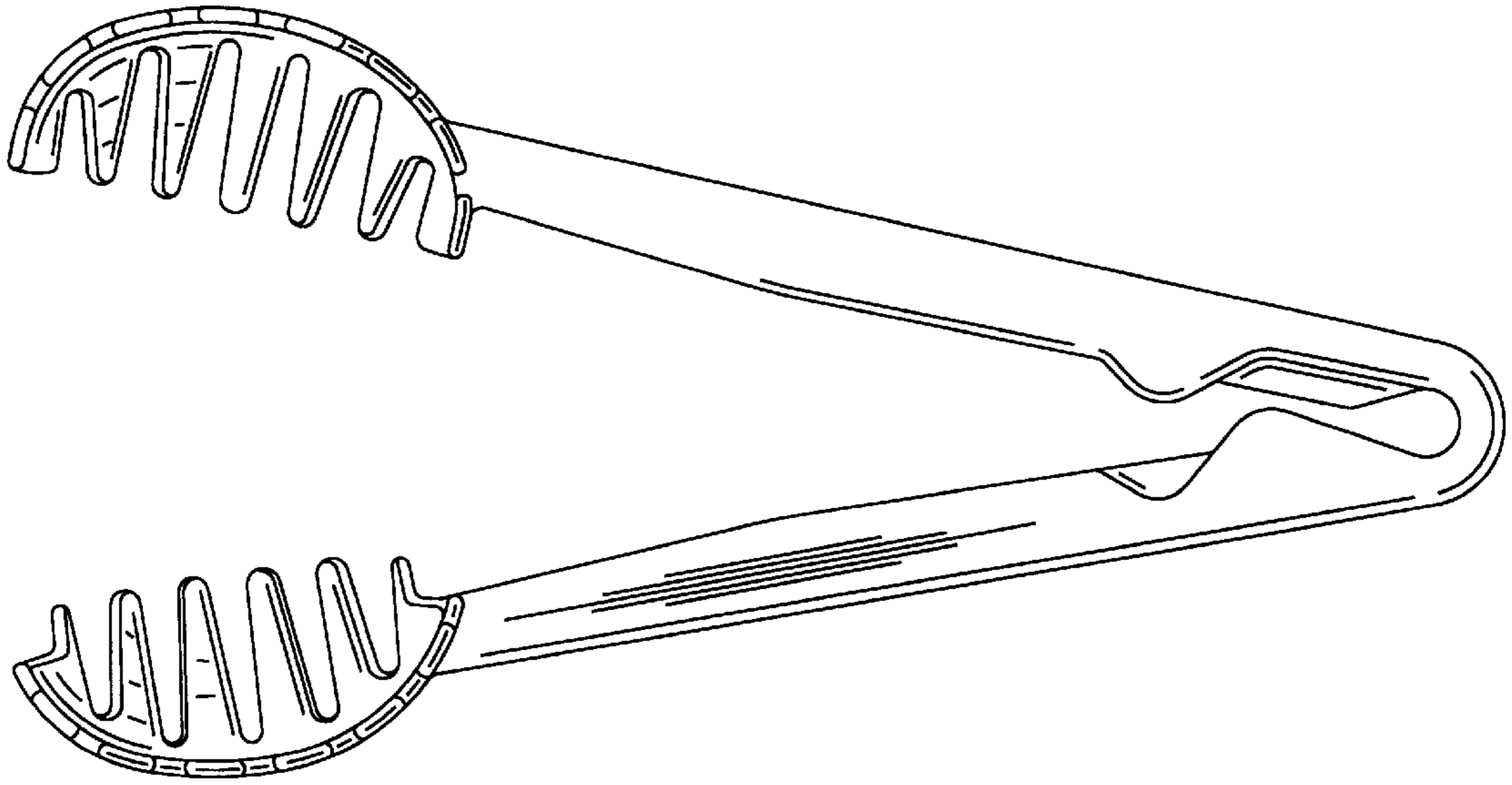


FIG. 6

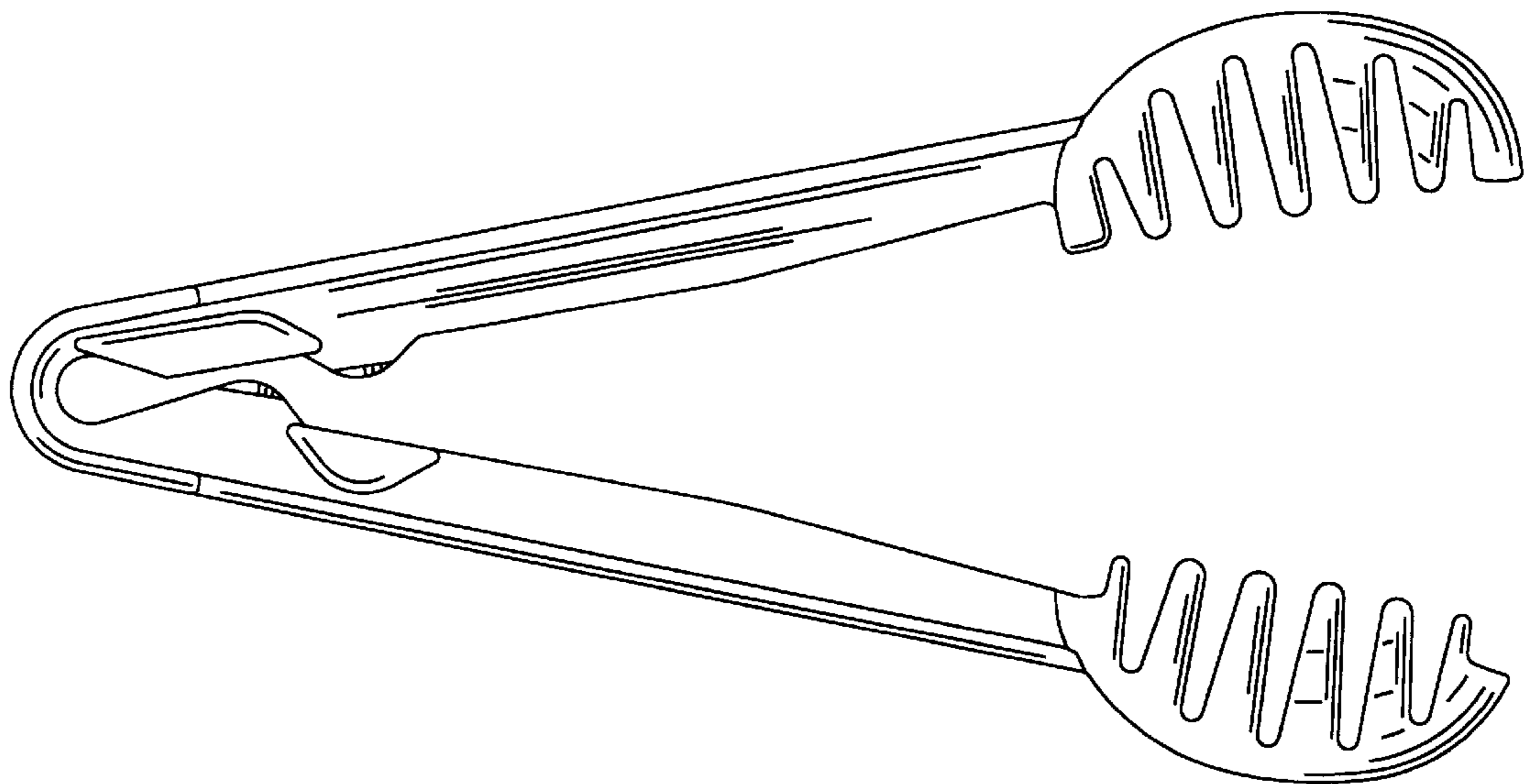


FIG. 7