



US00D439808S

(12) **United States Design Patent**
McClellan et al.

(10) **Patent No.:** **US D439,808 S**

(45) **Date of Patent:** **** Apr. 3, 2001**

(54) **JUICER**

4,941,403 7/1990 Cimenti .

(75) Inventors: **Stephen J. McClellan**, Narwee; **Richard W. Yallop**, Loftus, both of (AU)

OTHER PUBLICATIONS

One page photograph of potential prior art "juicer" device (undated).

(73) Assignee: **Breville Pty Ltd (AU)**

* cited by examiner

(**) Term: **14 Years**

Primary Examiner—Terry A. Wallace

(21) Appl. No.: **29/121,887**

(74) *Attorney, Agent, or Firm*—Dority & Manning

(22) Filed: **Apr. 14, 2000**

(57) **CLAIM**

(51) **LOC (7) Cl.** **31-00**

The ornamental design for a juicer, as shown and described.

(52) **U.S. Cl.** **D7/665**

DESCRIPTION

(58) **Field of Search** D7/665, 666, 373, D7/374, 381, 384; 99/495, 499, 501-506, 509-513; 241/33, 36, 37, 282.2

FIG. 1 is a front elevation view of a juicer showing our new design;

FIG. 2 is a right side elevation view thereof;

FIG. 3 is a rear elevation view thereof;

FIG. 4 is a left side elevation view thereof;

FIG. 5 is a top plan view thereof; and,

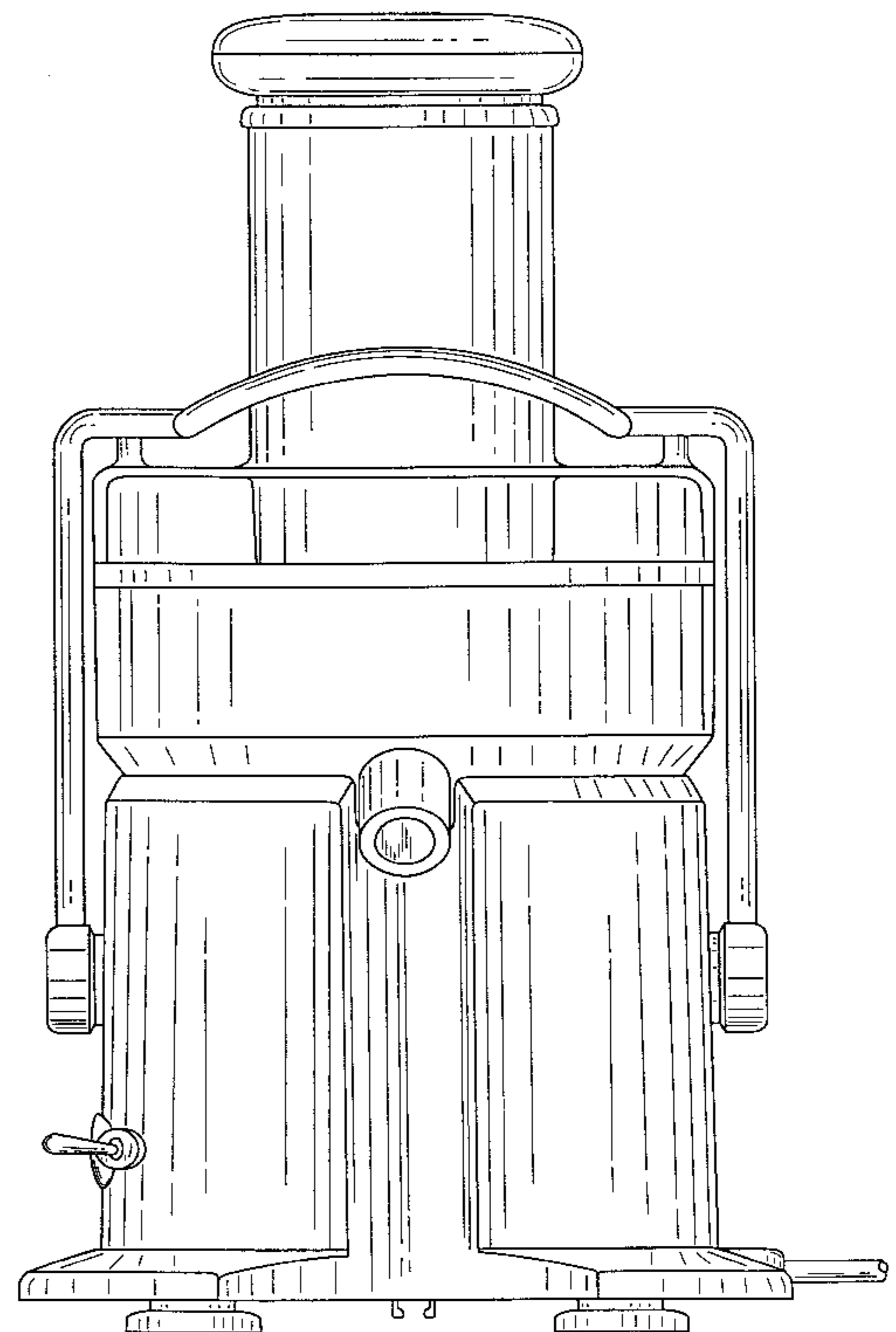
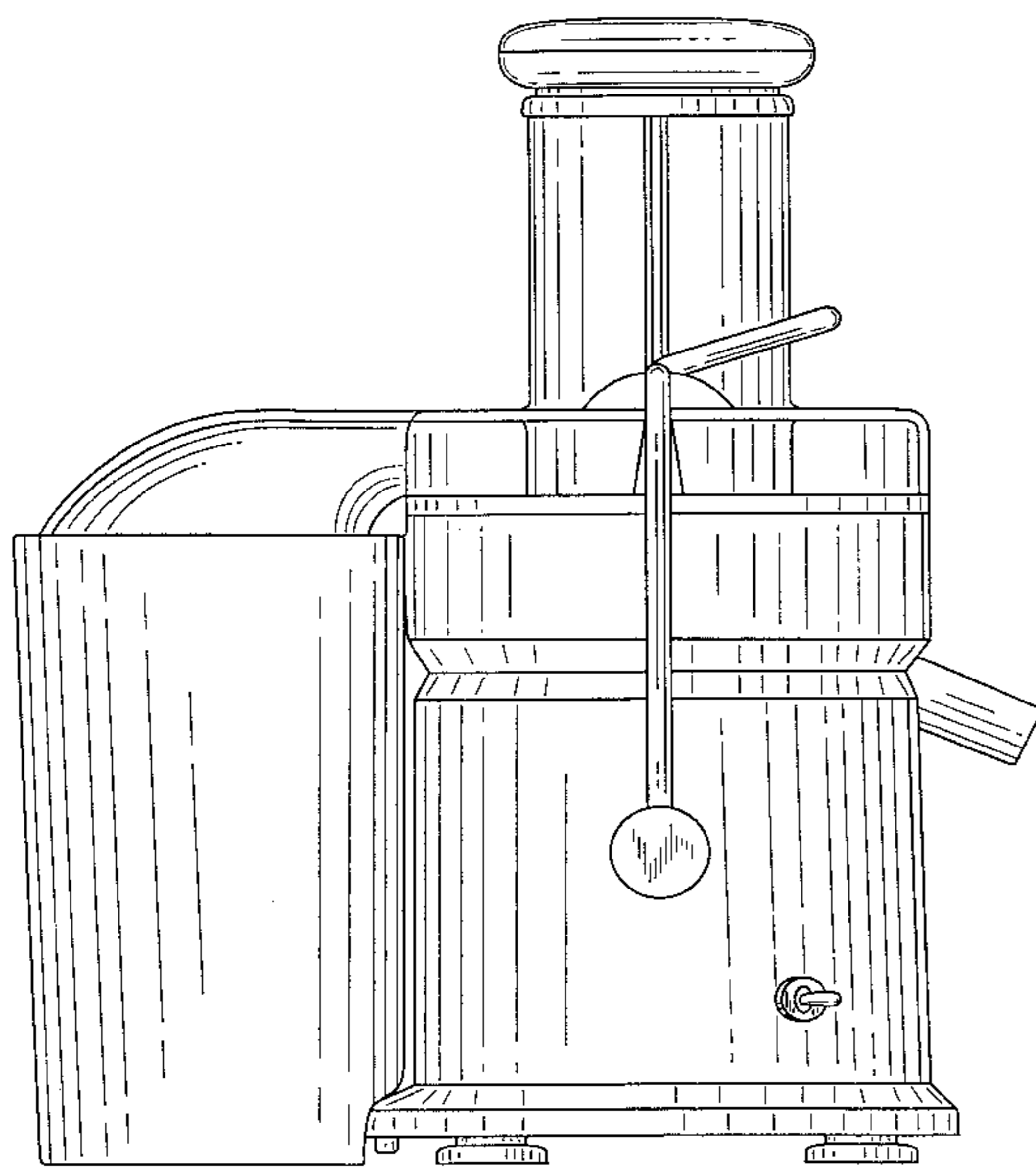
FIG. 6 is a bottom plan view thereof.

(56) **References Cited**

U.S. PATENT DOCUMENTS

- D. 333,595 * 3/1993 Lamson et al. D7/665
- D. 343,097 * 1/1994 Cesari et al. D7/665
- 4,440,074 * 4/1984 Ihara et al. 99/510

1 Claim, 5 Drawing Sheets



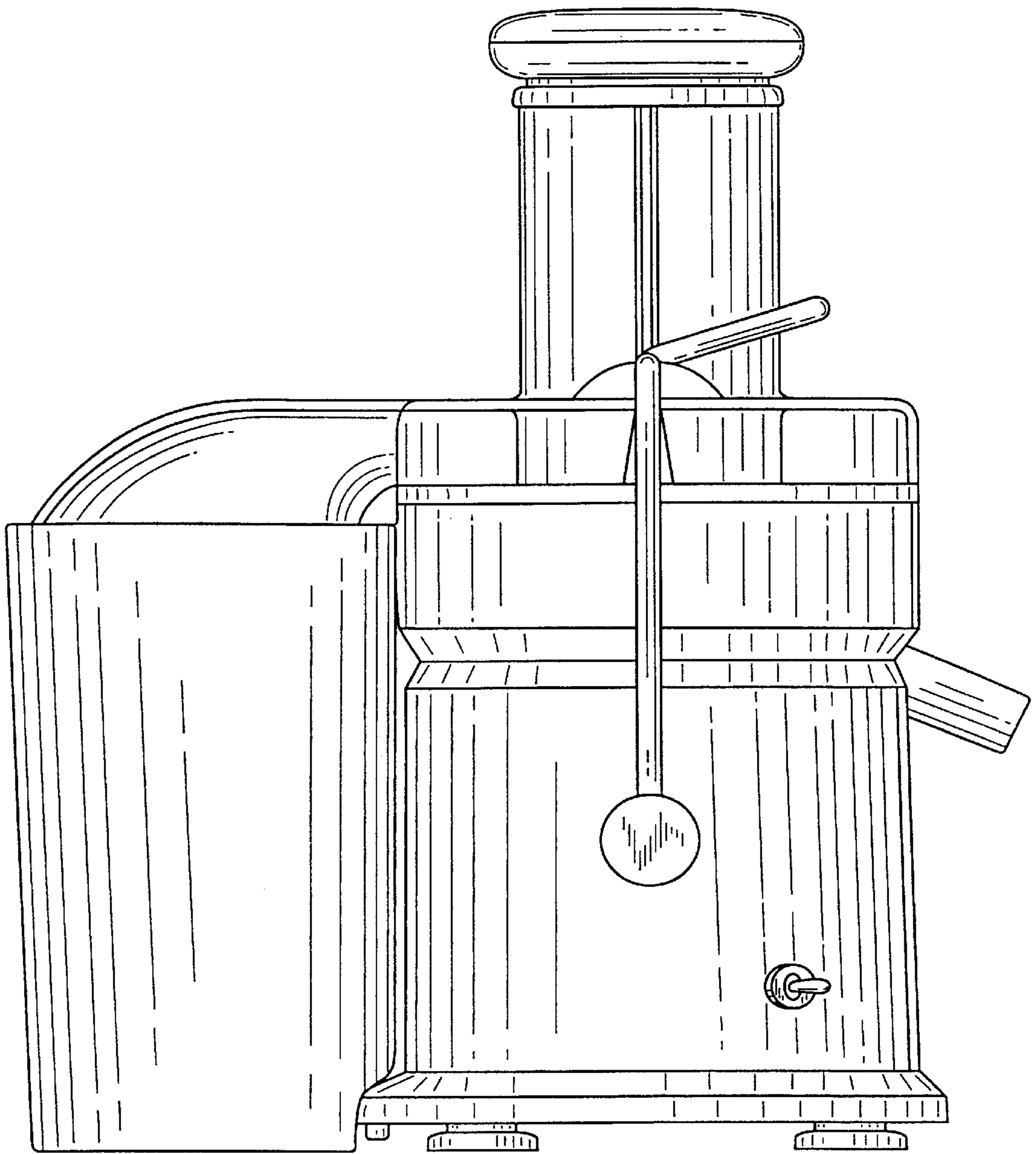


FIG. 1

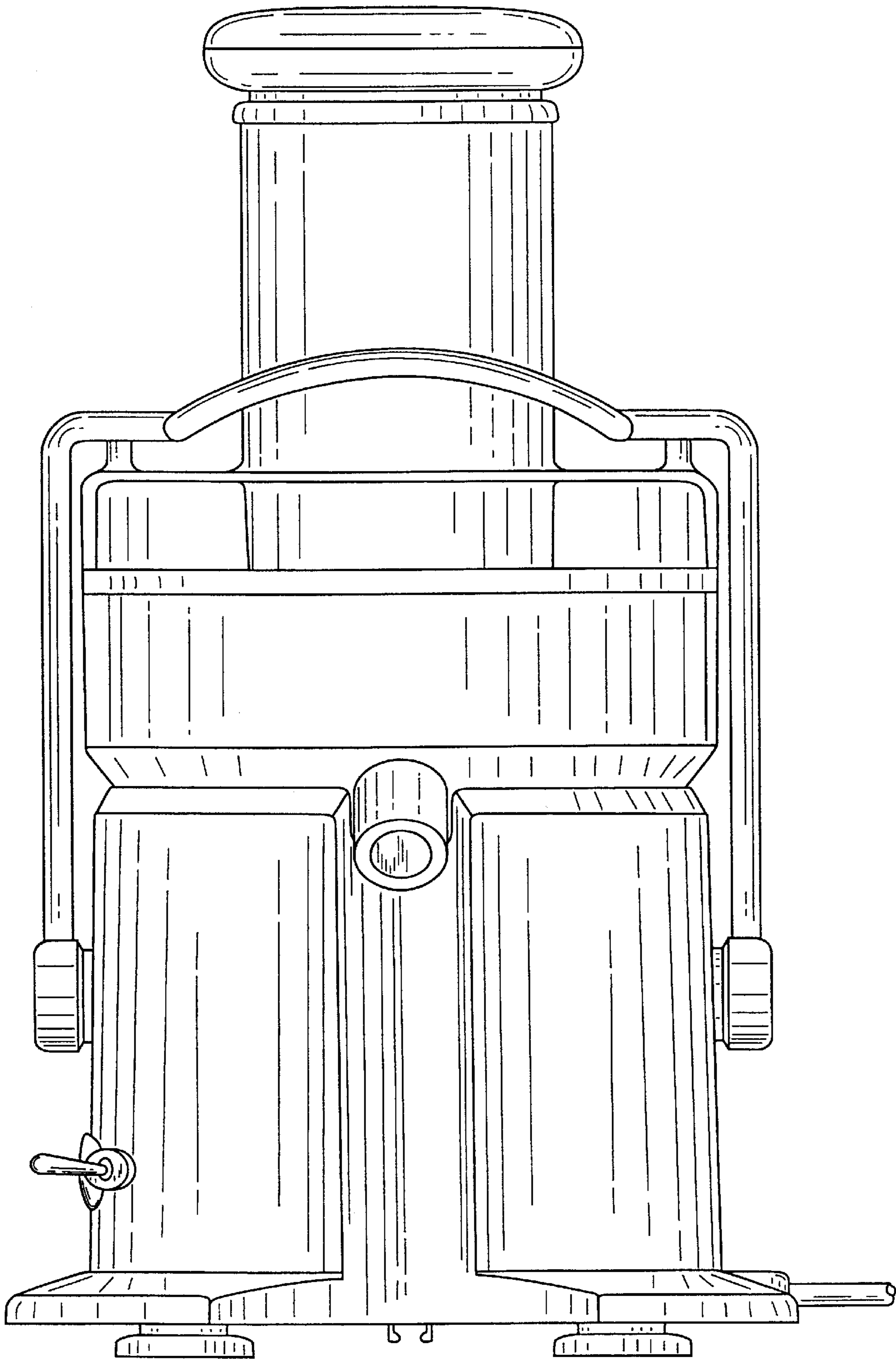


FIG. 2

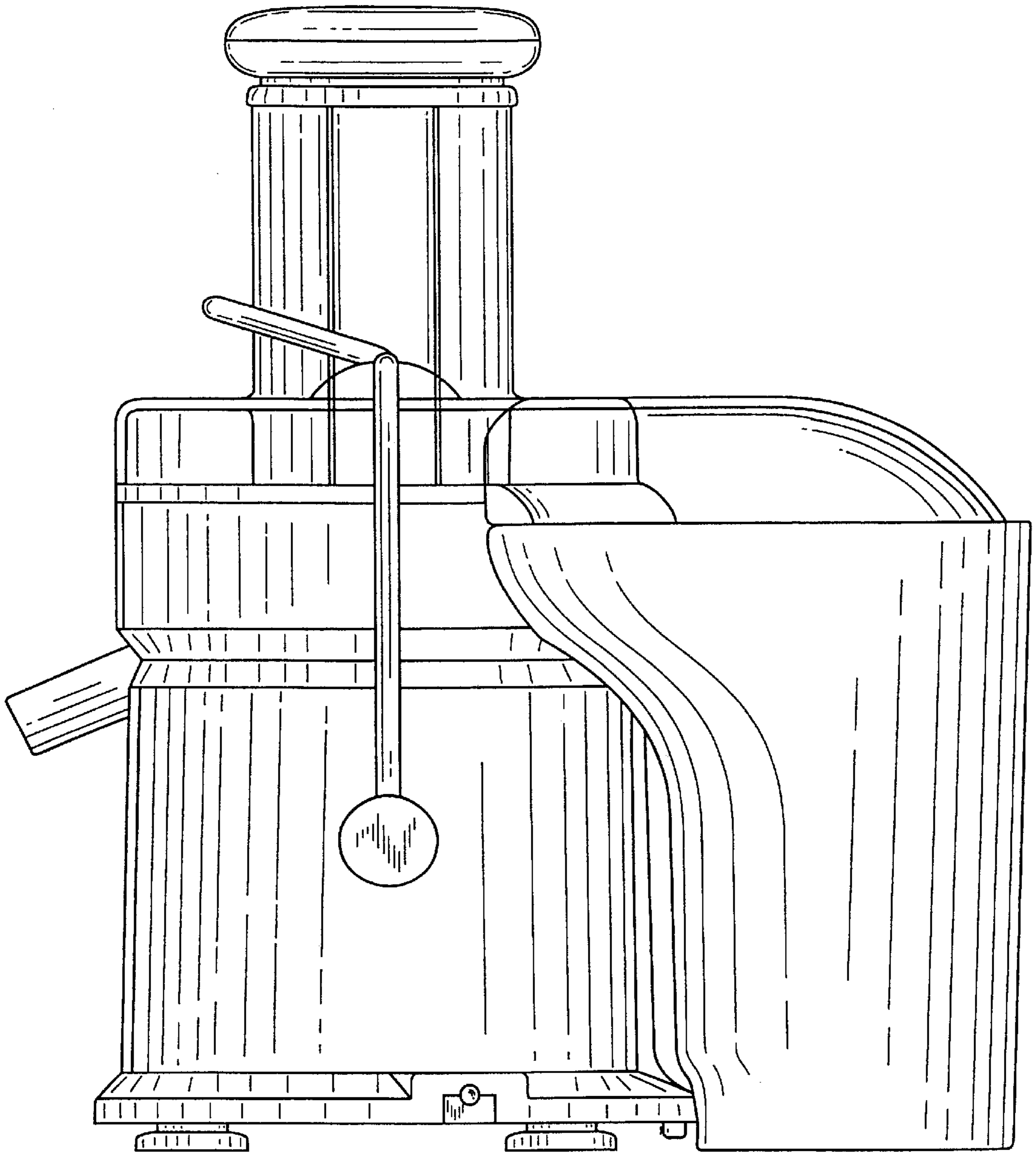


FIG. 3

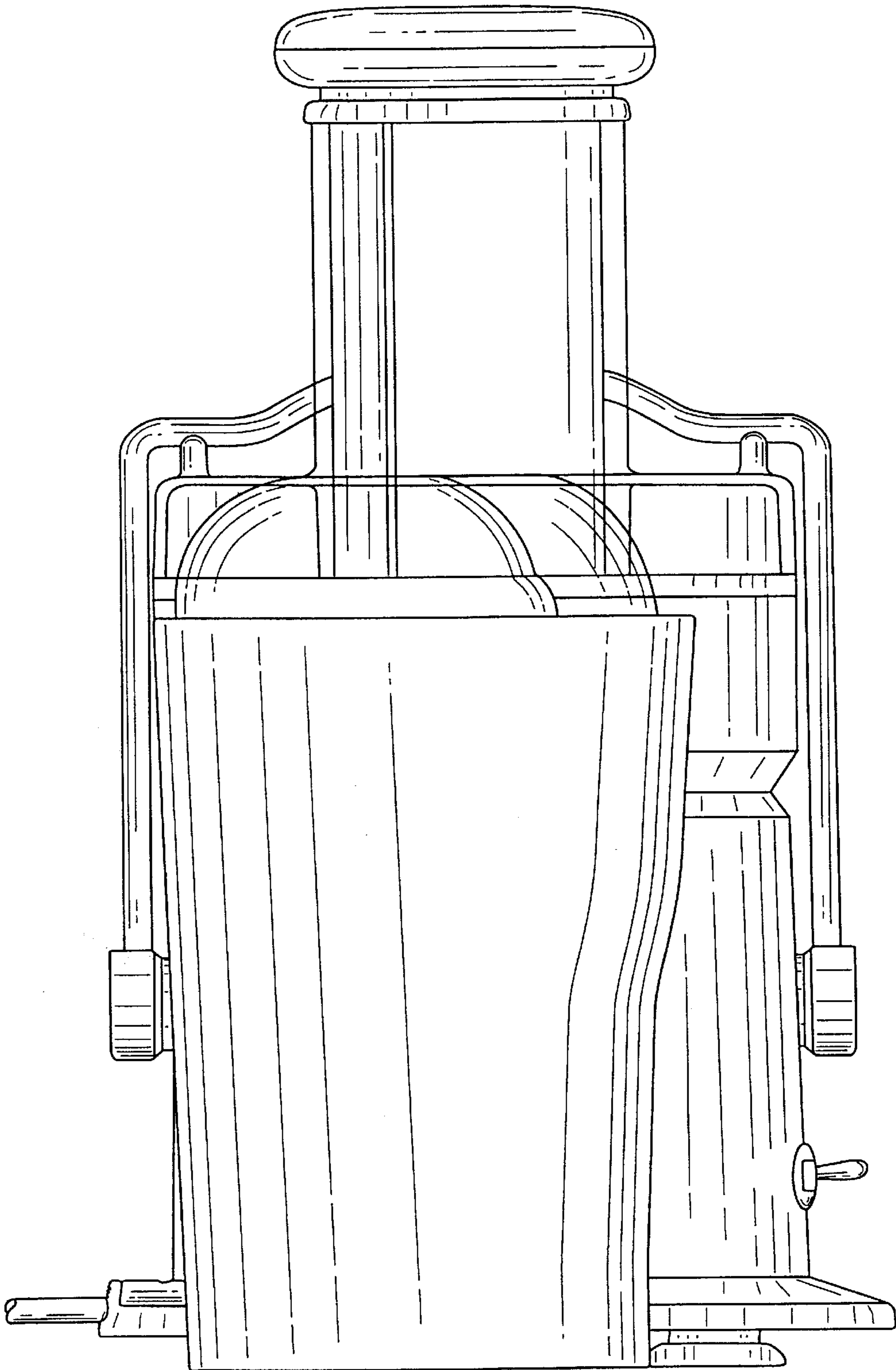


FIG. 4

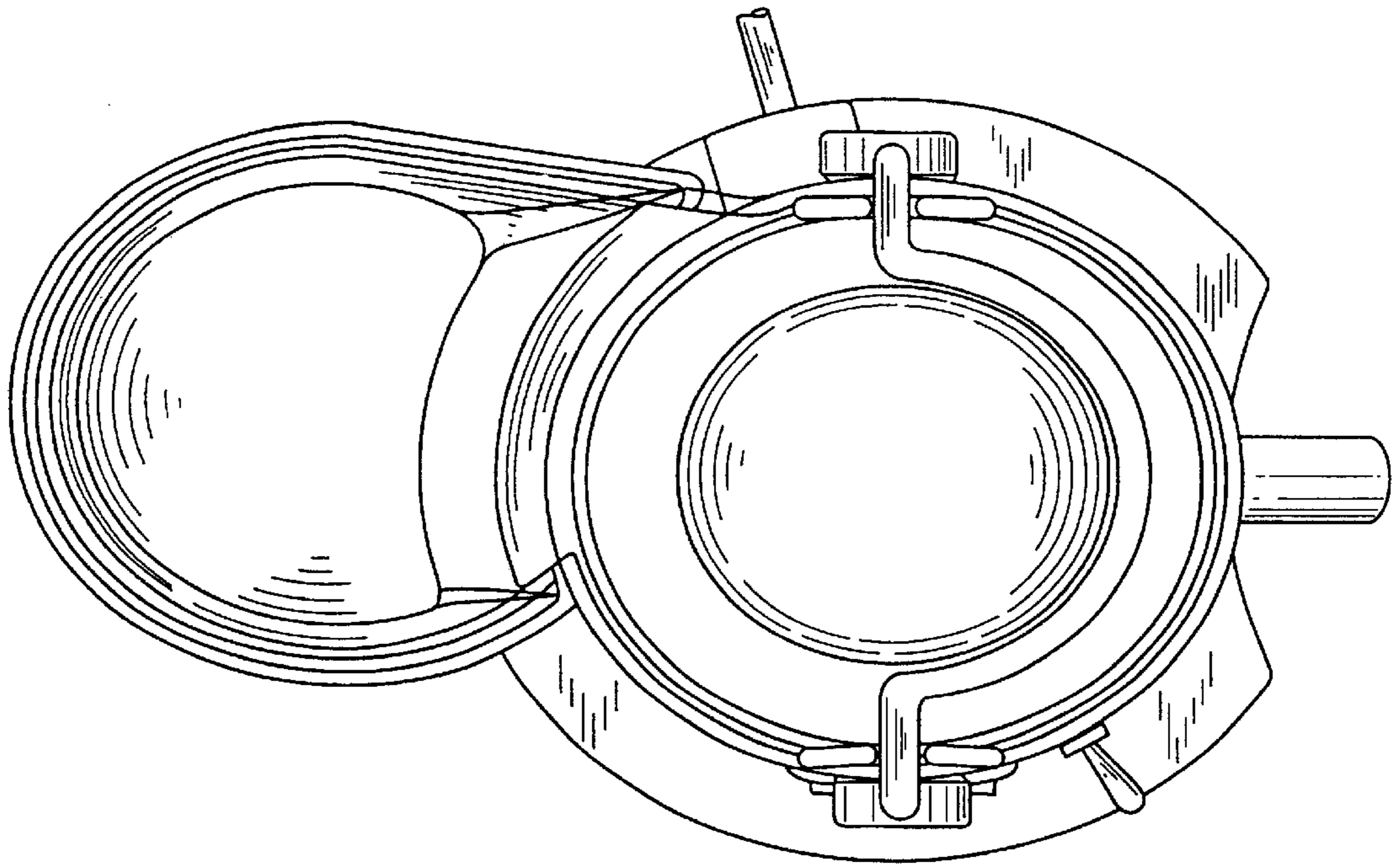


FIG. 5

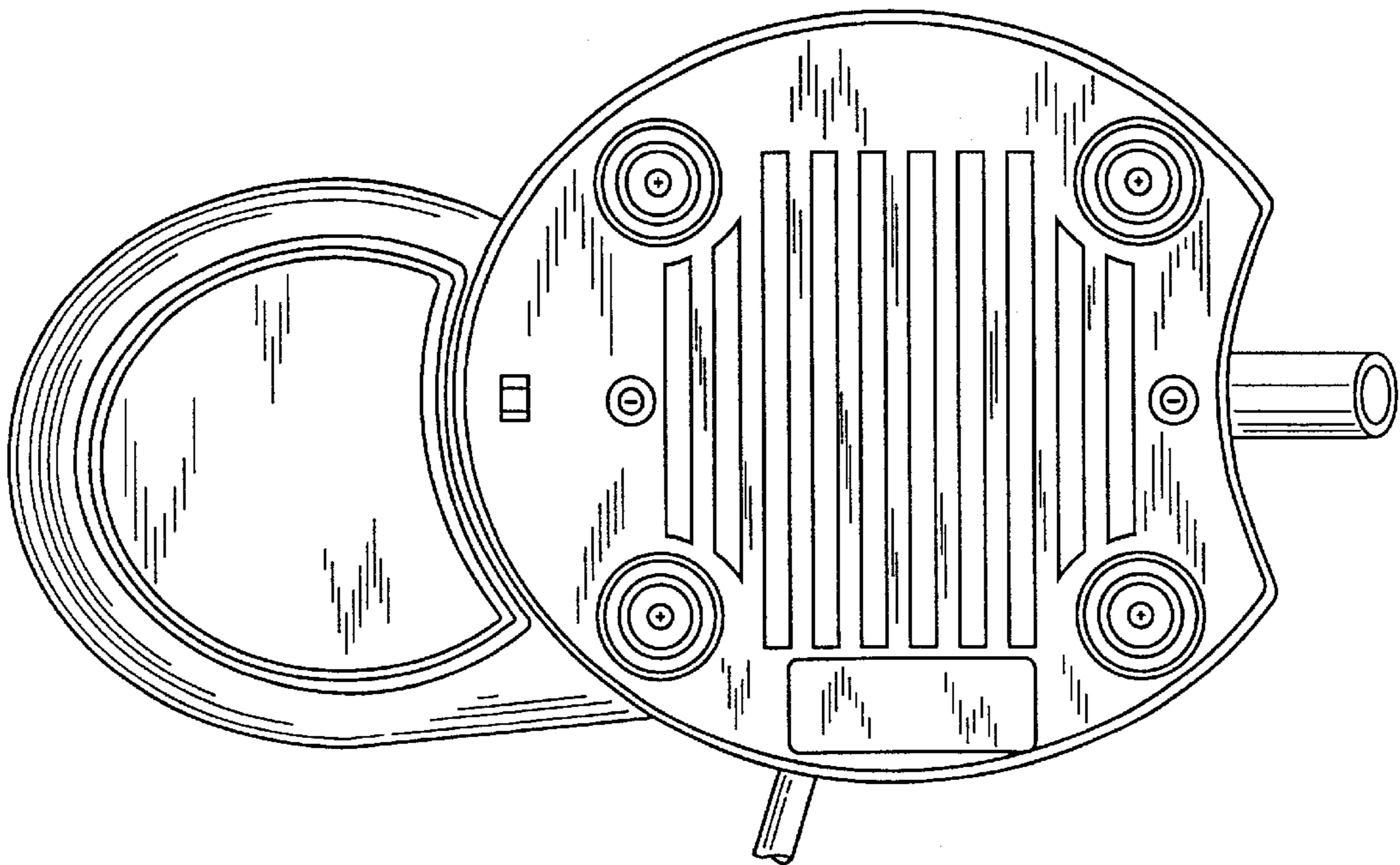


FIG. 6