



US00D439804S

(12) **United States Design Patent**
Pulitano

(10) **Patent No.:** **US D439,804 S**

(45) **Date of Patent:** **** Apr. 3, 2001**

(54) **TABLE TOP ORGANIZER FOR CONDIMENT CONTAINERS, MENUS AND NAPKINS**

3,318,454 * 5/1967 Donlin 211/43

* cited by examiner

(76) **Inventor:** **Frank Pulitano**, 163 Summer St.,
Stratford, CT (US) 06497

Primary Examiner—Terry A. Wallace

(**) **Term:** **14 Years**

(74) *Attorney, Agent, or Firm*—Haverstock, Garrett &
Roberts

(21) **Appl. No.:** **29/072,499**

(57) **CLAIM**

(22) **Filed:** **Jun. 19, 1997**

The ornamental design for a table top organizer for condiment containers, menus and napkins, as shown and described.

(51) **LOC (7) Cl.** **07-06**

(52) **U.S. Cl.** **D7/590; D7/601; D7/632;**
D19/90

DESCRIPTION

(58) **Field of Search** D7/590, 601, 631,
D7/632; D19/34.1, 34.2, 65, 75, 86, 90-92;
211/13.1, 43, 45, 49.1, 51, 71, 126.1, 126.12,
85.4

FIG. 1 is a perspective view of a table top organizer for condiment containers, menus and napkins showing my new design;

FIG. 2 is a left side elevational view thereof;

FIG. 3 is a right side elevational view thereof;

FIG. 4 is a front elevational view thereof;

FIG. 5 is a top plan view thereof;

FIG. 6 is a bottom plan view thereof; and,

FIG. 7 is a rear elevation view thereof.

(56) **References Cited**

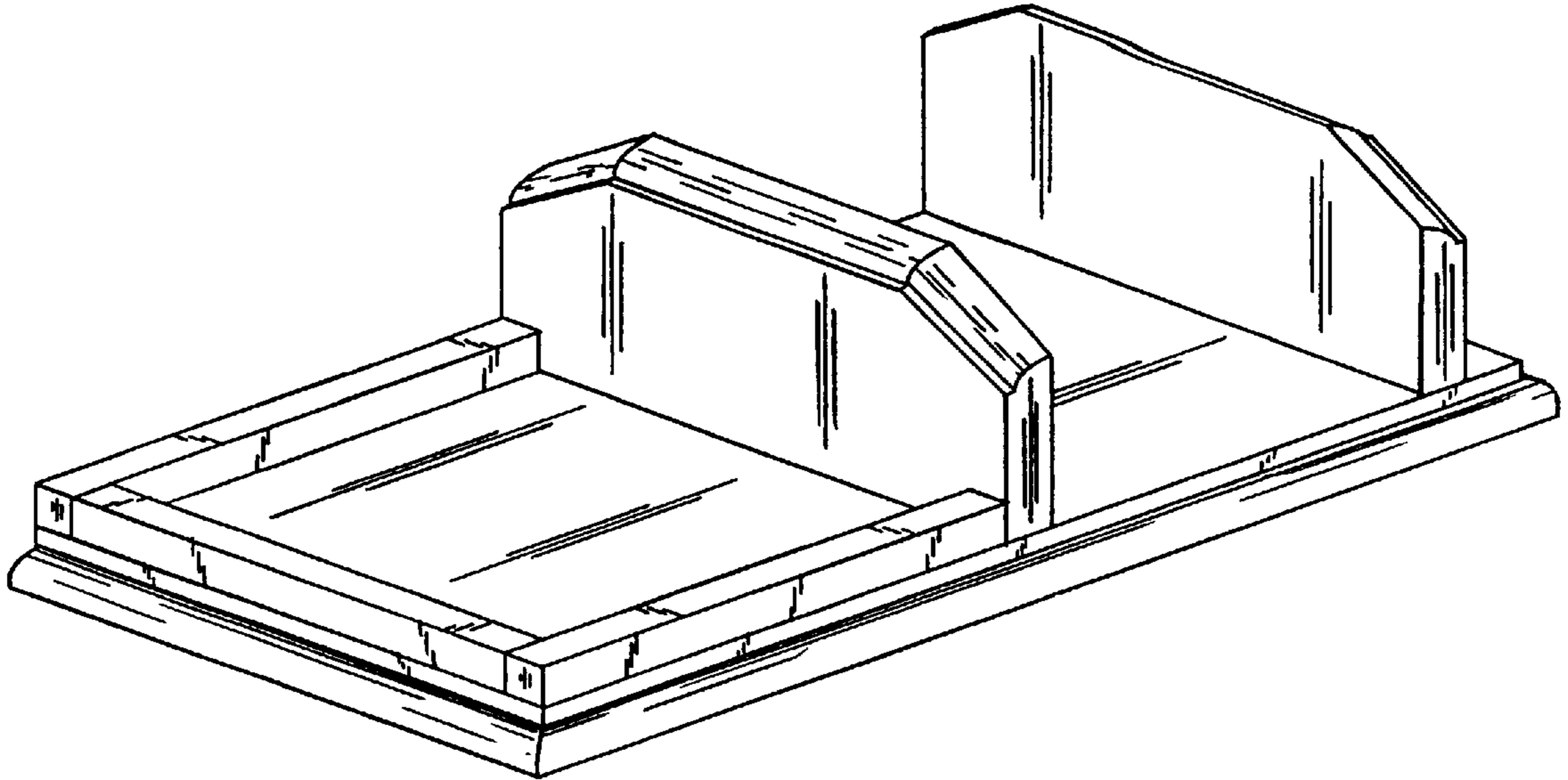
U.S. PATENT DOCUMENTS

D. 55,266 * 5/1920 Fuller D19/78 X

D. 156,670 * 12/1949 Runnels D7/592

D. 324,155 * 2/1992 Hyman D7/632

1 Claim, 2 Drawing Sheets



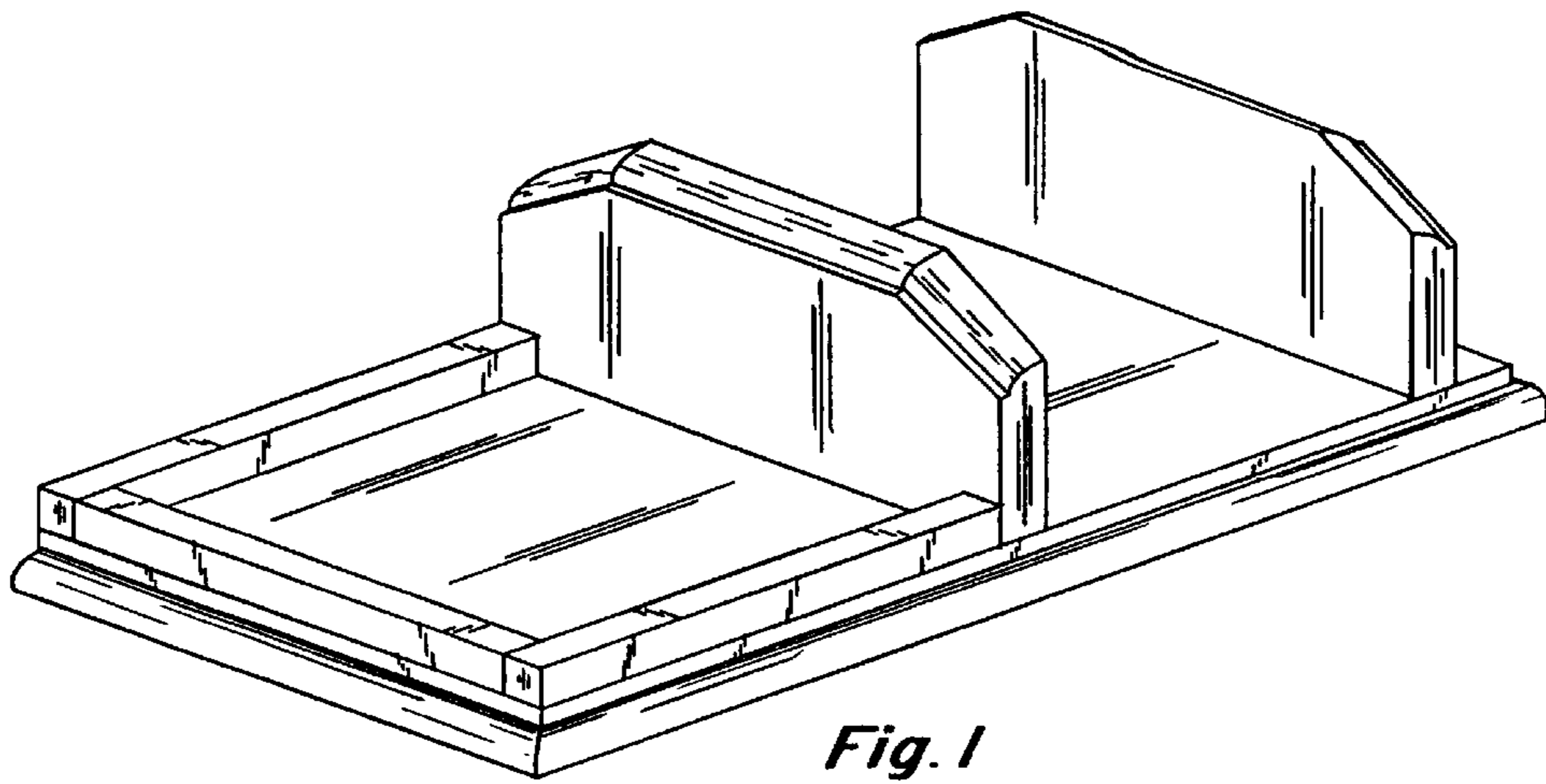


Fig. 1

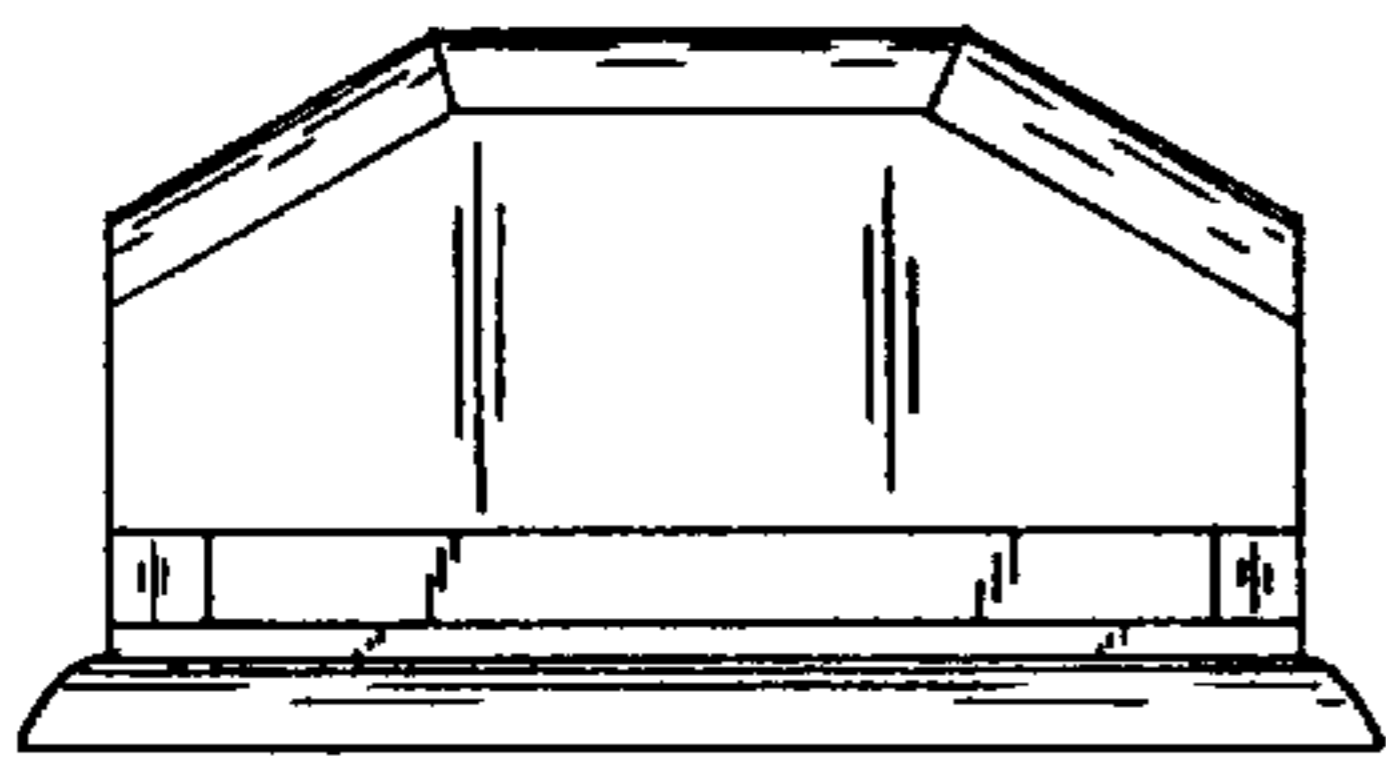


Fig. 2

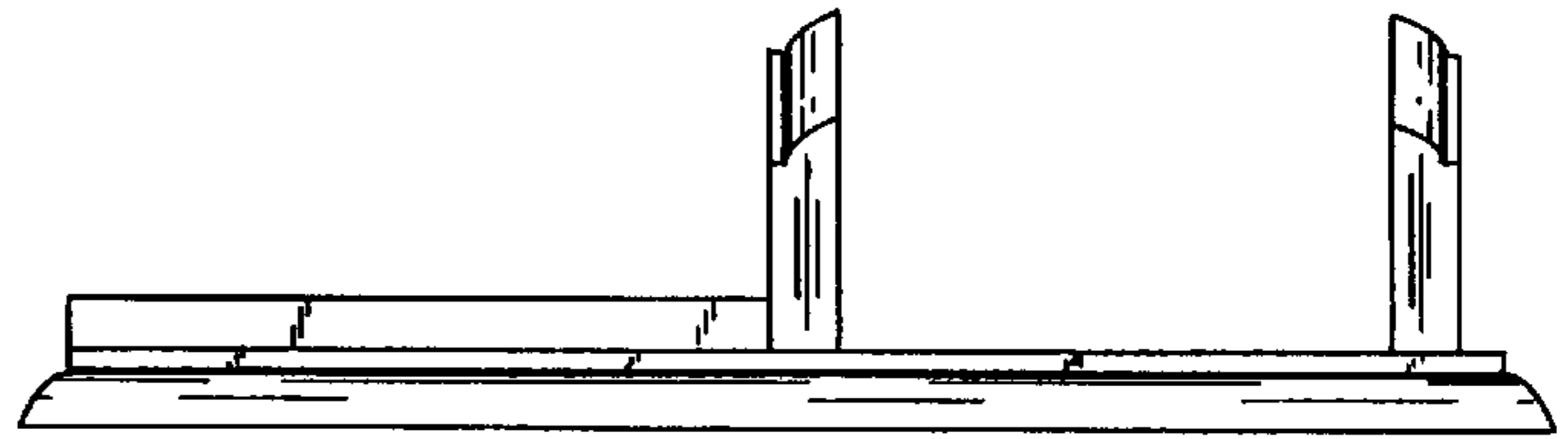


Fig. 3

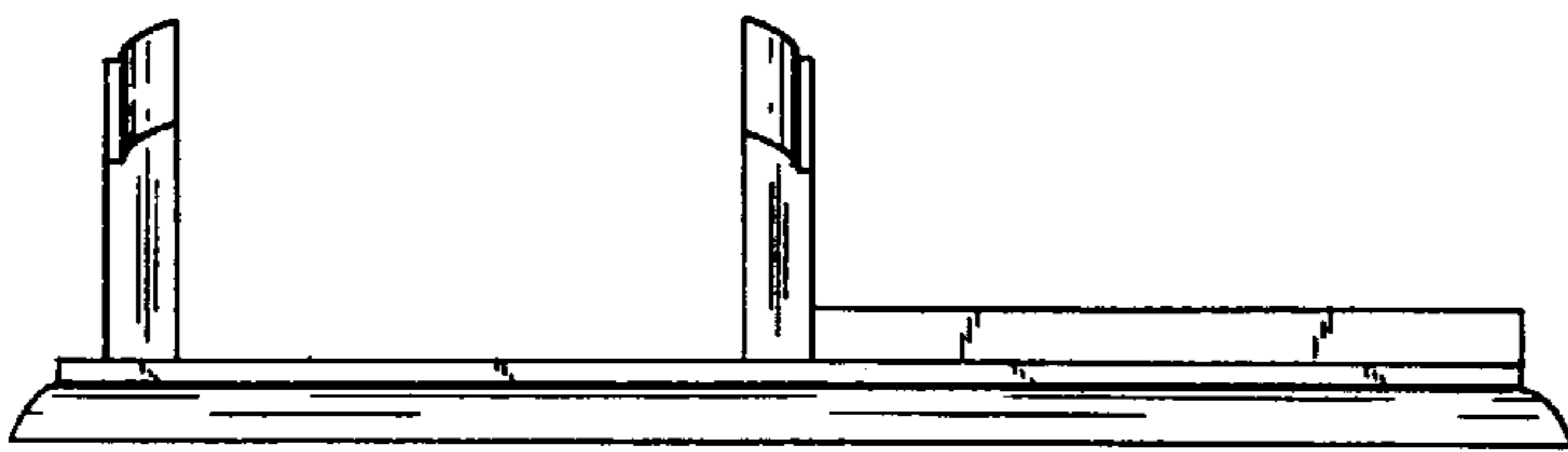


Fig. 4

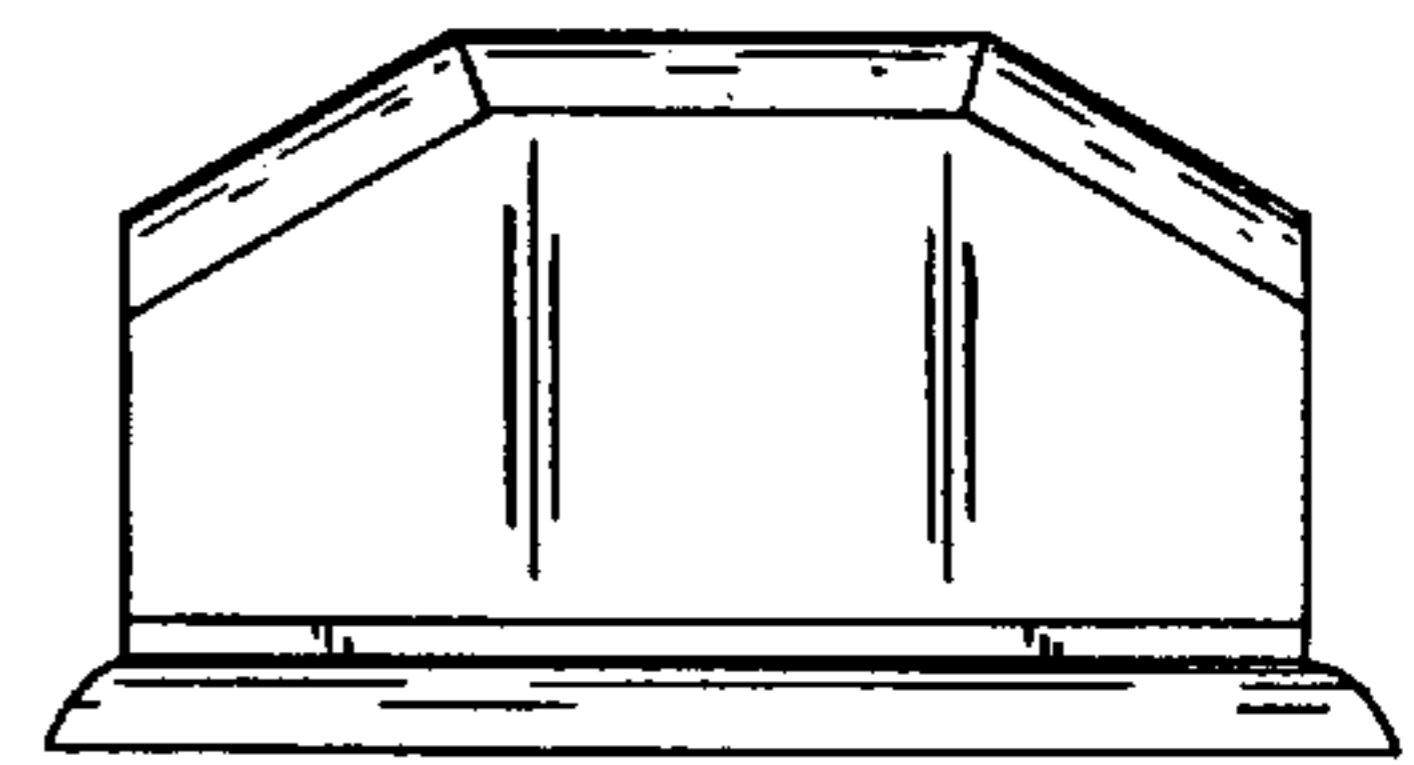


Fig. 5

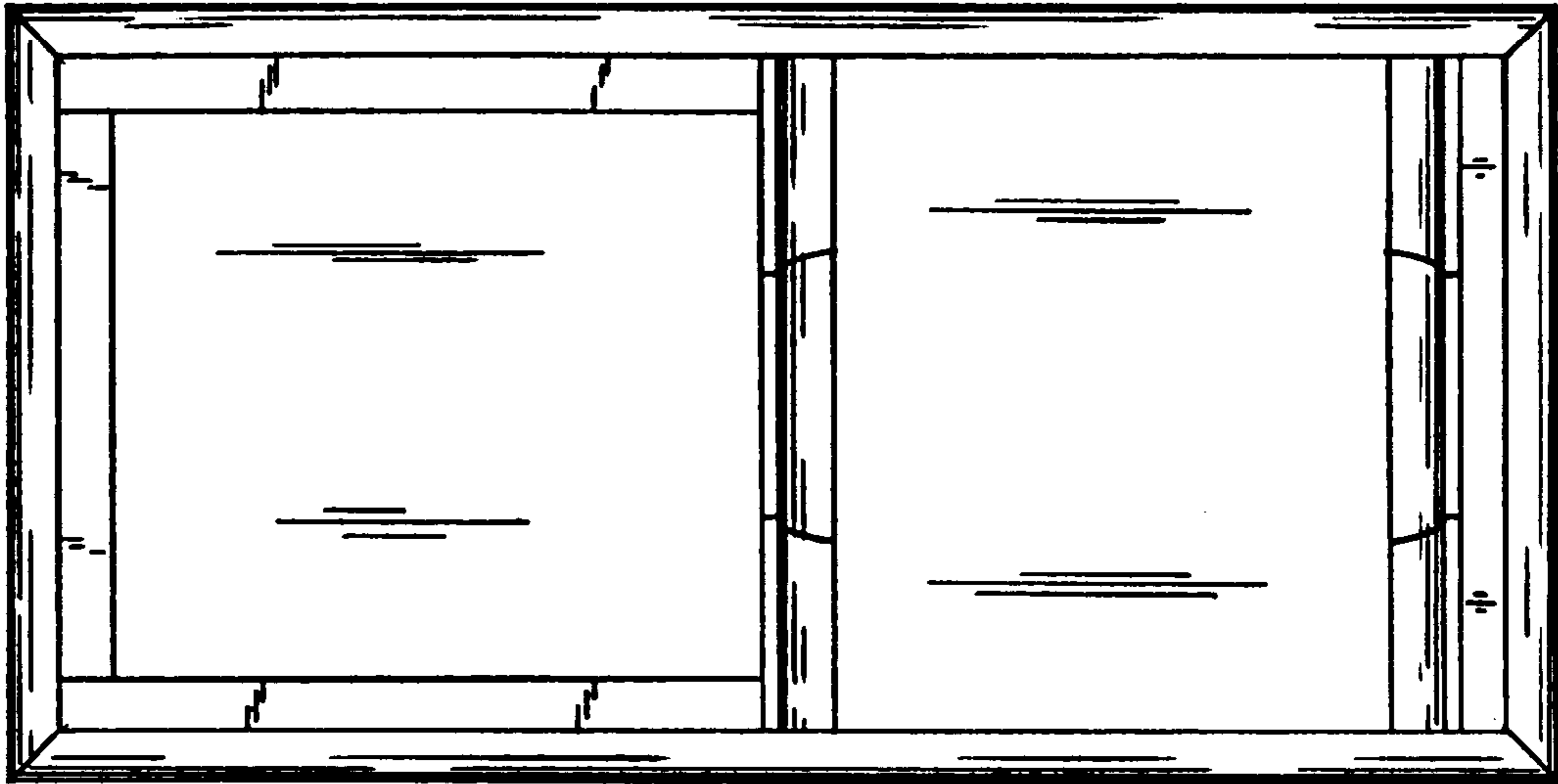


Fig. 6

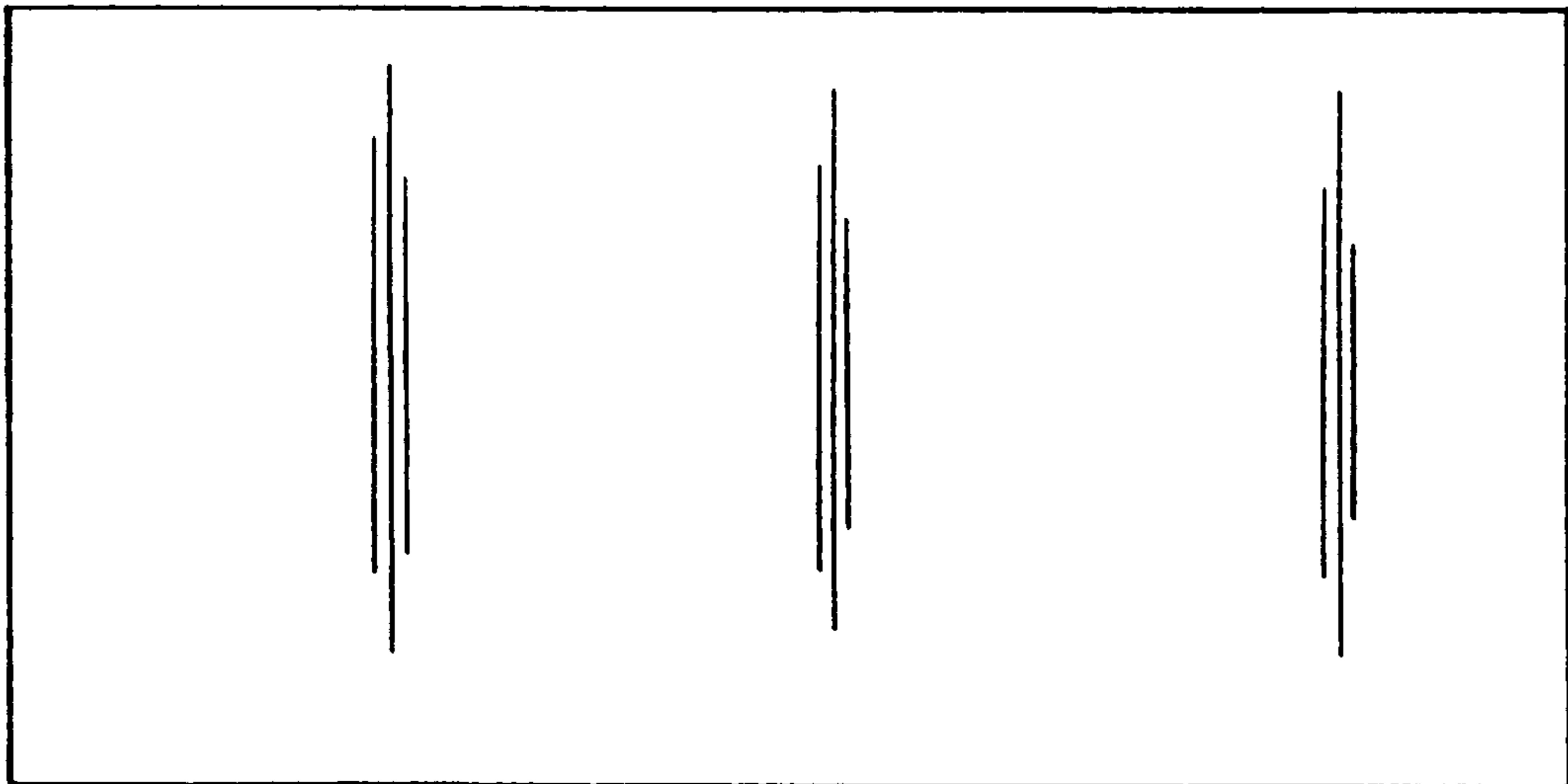


Fig. 7