



US00D439796S

(12) **United States Design Patent**
Edwards et al.

(10) **Patent No.:** **US D439,796 S**

(45) **Date of Patent:** **** Apr. 3, 2001**

(54) **CONTACT GRILL**

(75) Inventors: **Mark Edwards; Robin Chu**, both of San Francisco, CA (US); **Martin Brady**, Chesterfield, VA (US)

(73) Assignee: **Hamilton Beach/Proctor-Silex, Inc.**, Glen Allen, VA (US)

(**) Term: **14 Years**

(21) Appl. No.: **29/122,558**

(22) Filed: **Apr. 28, 2000**

(51) **LOC (7) Cl.** **07-02**

(52) **U.S. Cl.** **D7/352**

(58) **Field of Search** D7/323, 352, 362, D7/363; 99/331, 336, 372, 375, 385, 403, 410-413, 425, 426

(56) **References Cited**

U.S. PATENT DOCUMENTS

D. 346,304	4/1994	Naft et al.	D7/352
D. 347,548	6/1994	Boehm et al.	D7/352
D. 366,390	1/1996	Vitantonio	D7/363
D. 367,993	3/1996	McClellan	D7/352
D. 367,994	3/1996	Bloom et al.	D7/352
D. 383,353	9/1997	Piret	D7/352
D. 389,372	1/1998	Saltet	D7/352
D. 394,584	5/1998	Weber	D7/363
D. 405,312	2/1999	Hoare	D7/352
D. 407,598	4/1999	Deni et al.	D7/352
D. 409,041	5/1999	Barker	D7/363
D. 409,876	5/1999	Gruaz	D7/352
D. 411,937	7/1999	Siegler et al.	D7/352
D. 412,808	8/1999	Hinton et al.	D7/363
D. 413,759	9/1999	Carrere	D7/352
D. 413,760	9/1999	Tsai et al.	D7/352
D. 415,927	11/1999	Weber	D7/363
D. 427,480 *	7/2000	Brady	D7/354

* cited by examiner

Primary Examiner—Caron D. Veynar

(74) *Attorney, Agent, or Firm*—Darby & Darby

(57) **CLAIM**

The ornamental design for a contact grill, as shown and described.

DESCRIPTION

FIG. 1 is a perspective view of a preferred embodiment of the contact grill.

FIG. 2 is a rear end view of the contact grill shown in FIG. 1.

FIG. 3 is a front end view of the contact grill shown in FIG. 1.

FIG. 4 is a right side view of the contact grill shown in FIG. 1.

FIG. 5 is a left side view of the contact grill shown in FIG. 1.

FIG. 6 is a top plan view of the contact grill shown in FIG. 1.

FIG. 7 is a perspective view of another preferred embodiment of the contact grill.

FIG. 8 is a rear end view of the contact grill shown in FIG. 7.

FIG. 9 is a front end view of the contact grill shown in FIG. 7.

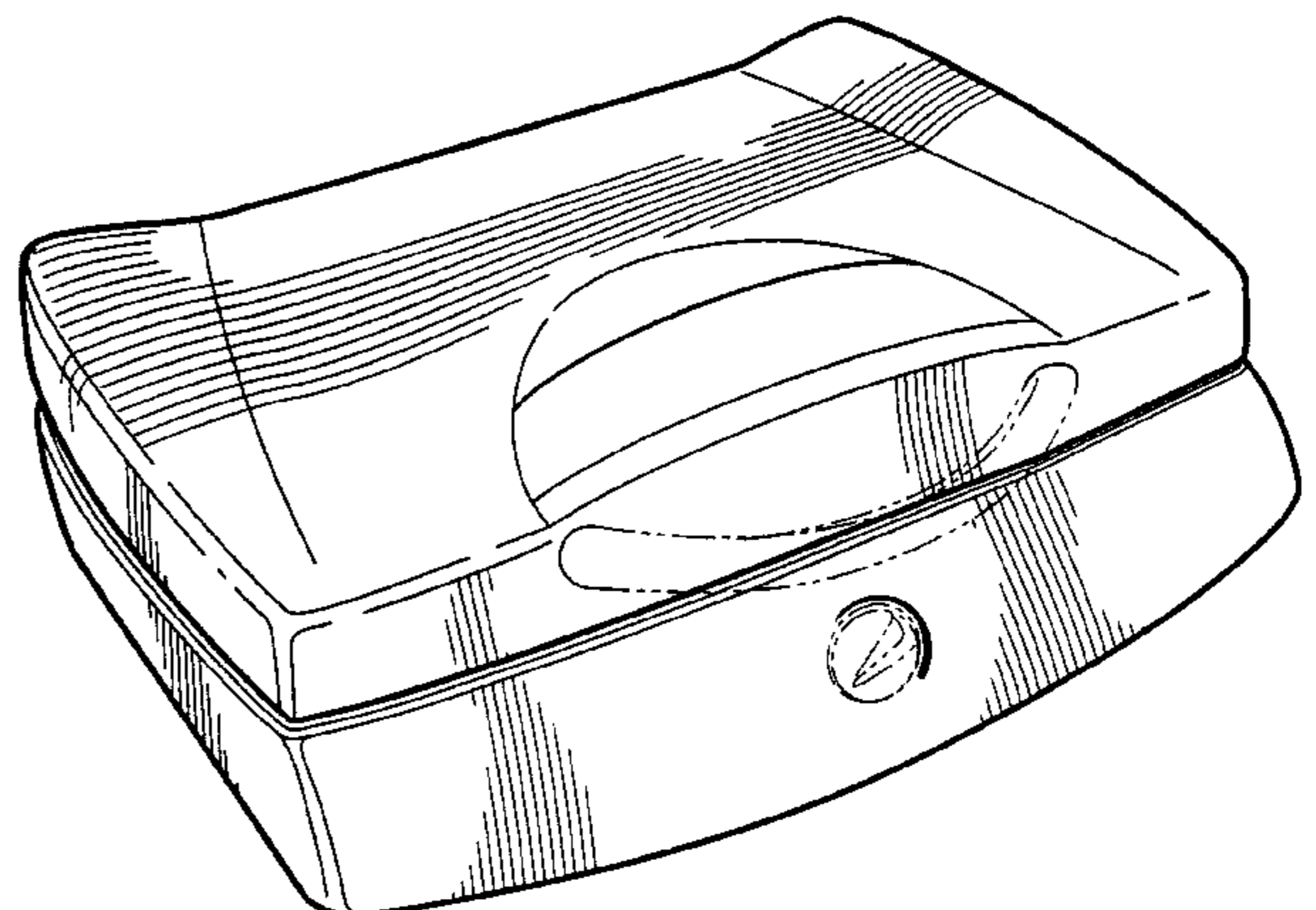
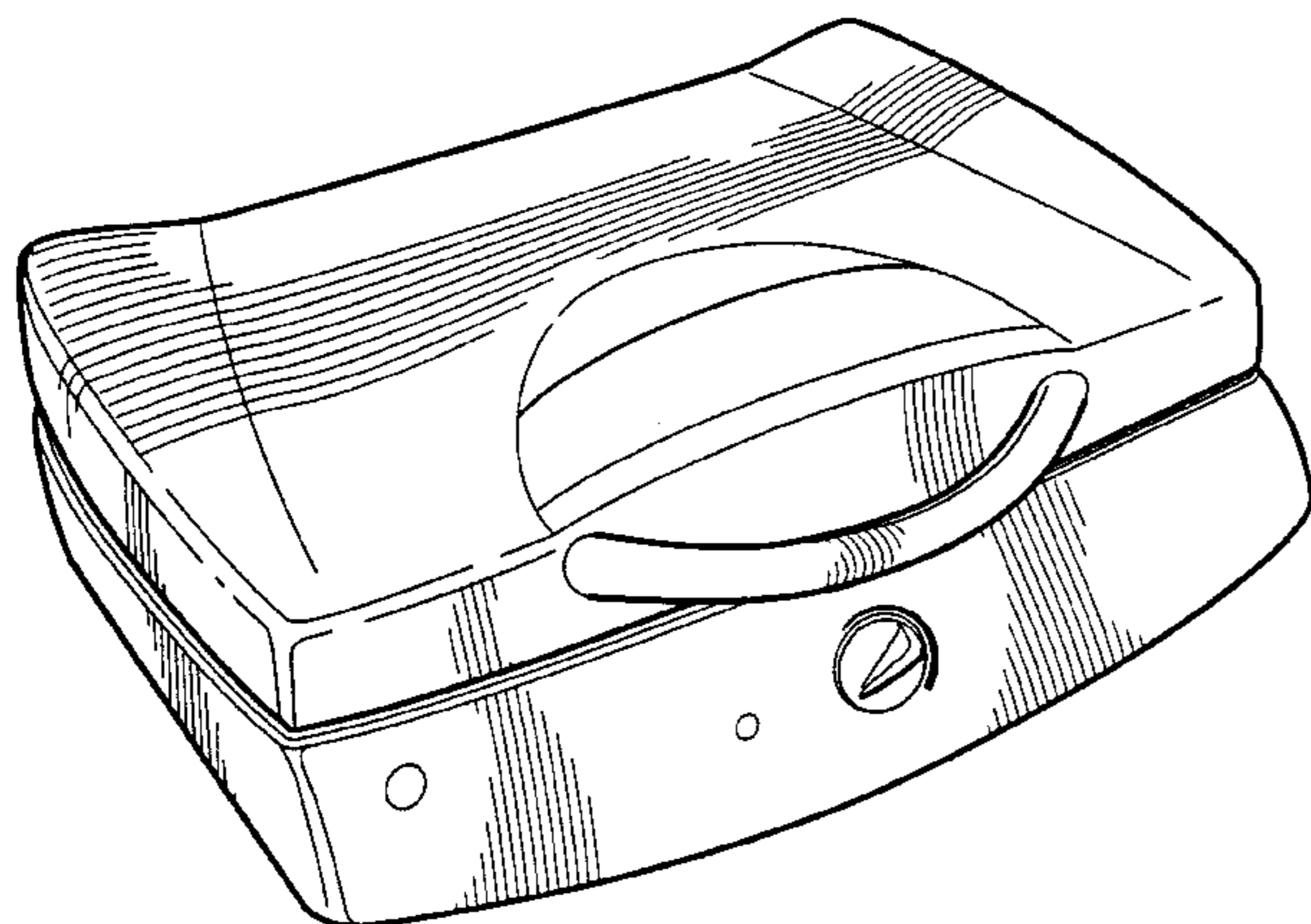
FIG. 10 is a right side view of the contact grill shown in FIG. 7.

FIG. 11 is a left side view of the contact grill shown in FIG. 7; and,

FIG. 12 is a top plan view of the contact grill shown in FIG. 7.

The broken line showing a handle and control knob on FIGS. 7 and 9-12 are for illustrative purposes only and form no part of the claimed design.

1 Claim, 8 Drawing Sheets



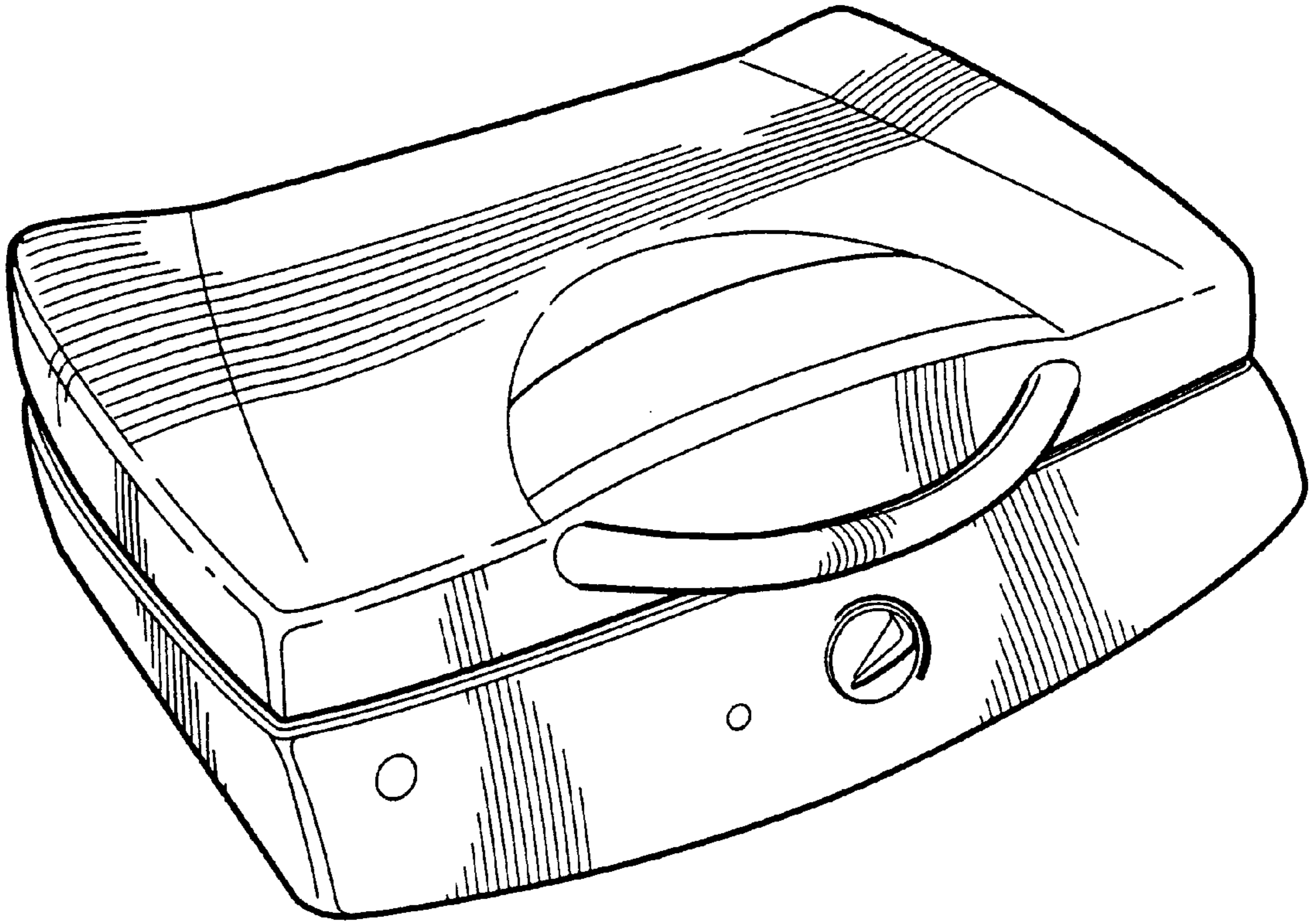


Fig. 1

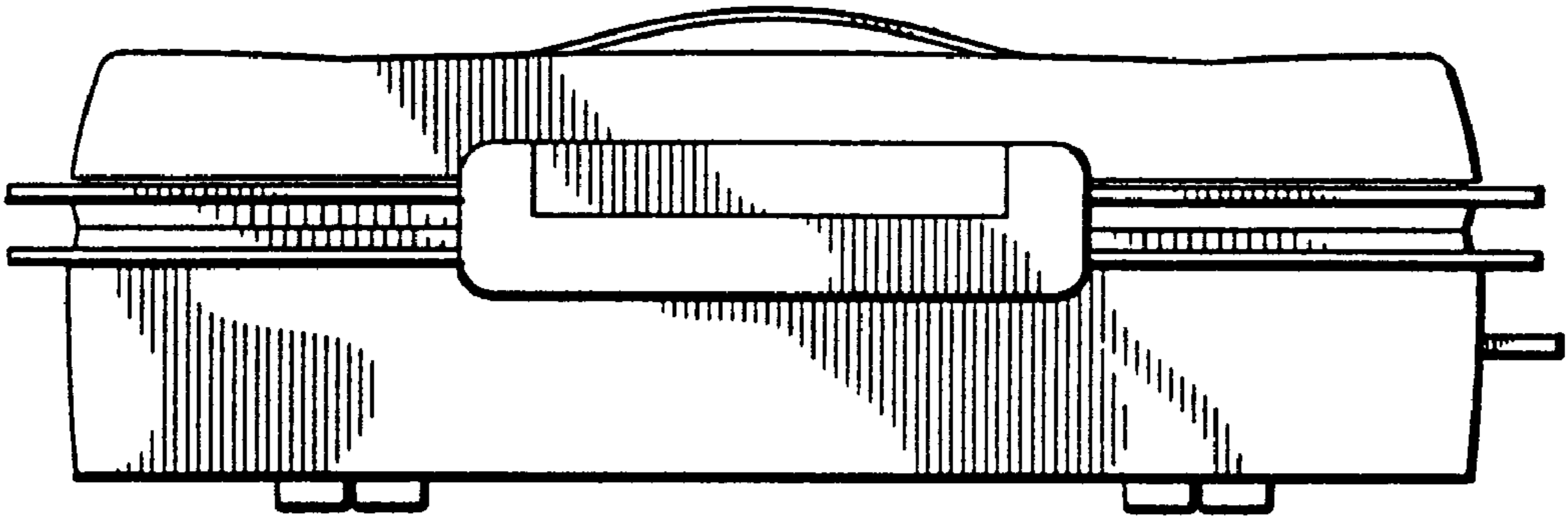


Fig. 2

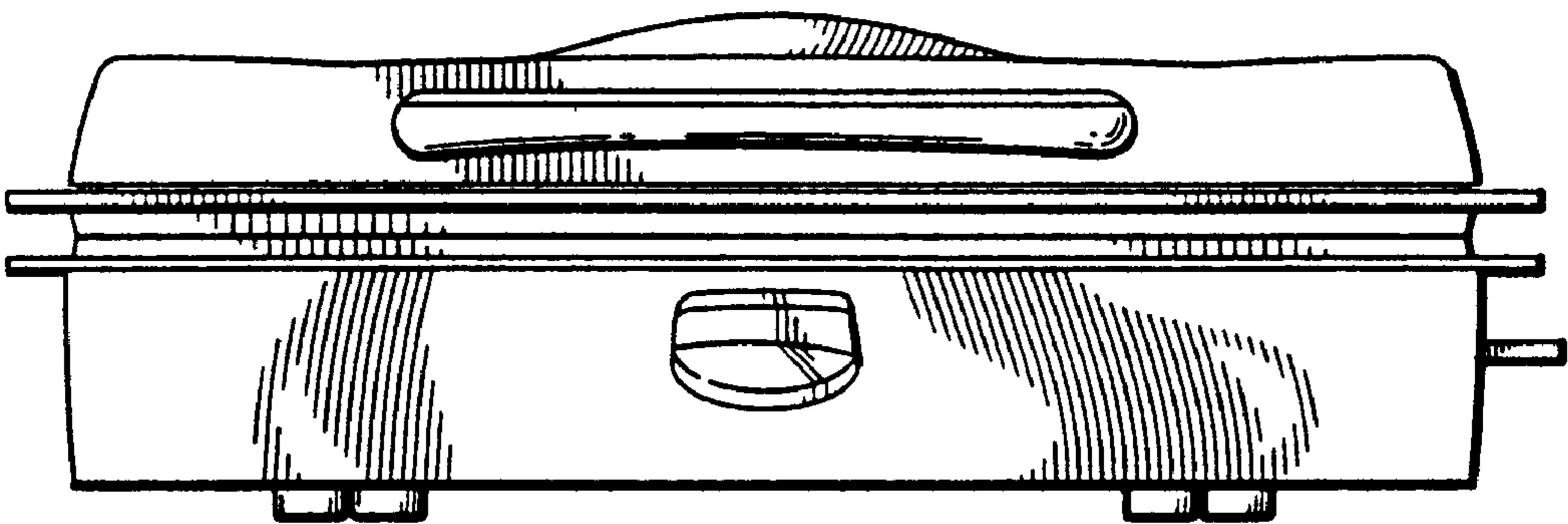


Fig. 3

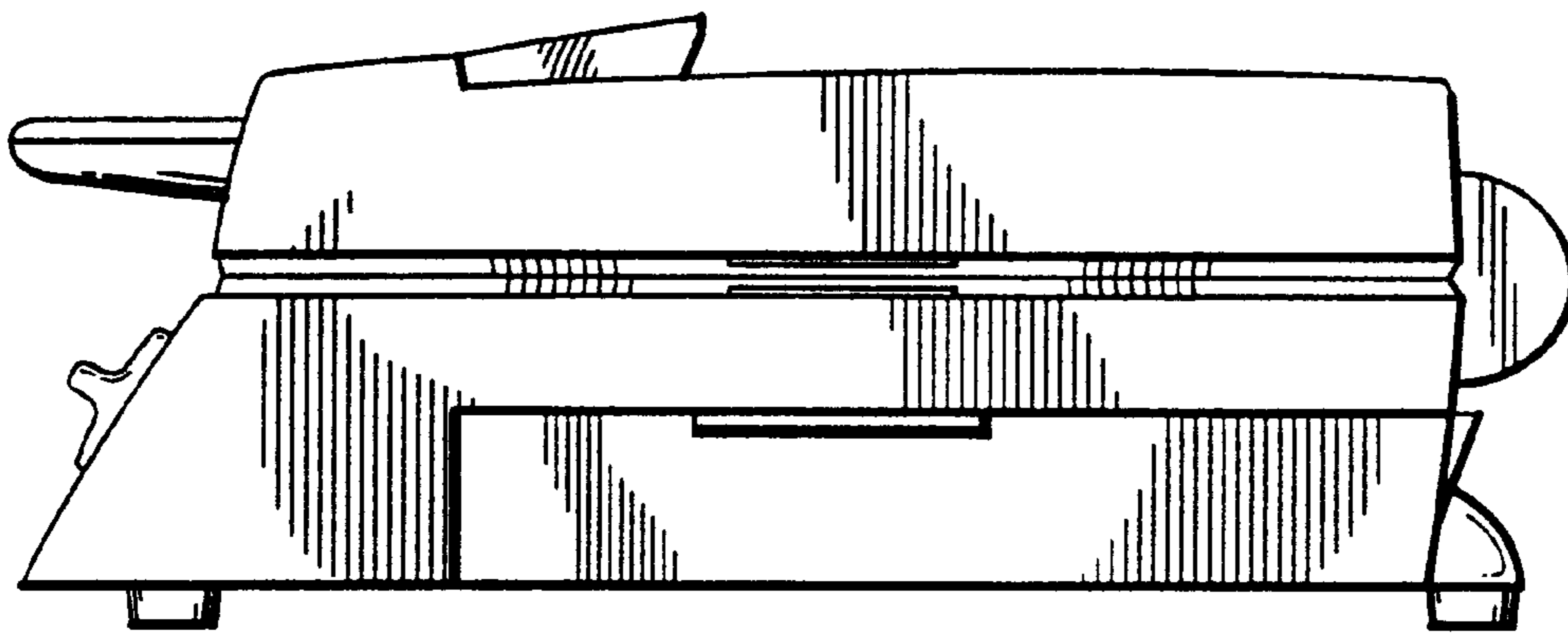


Fig. 4

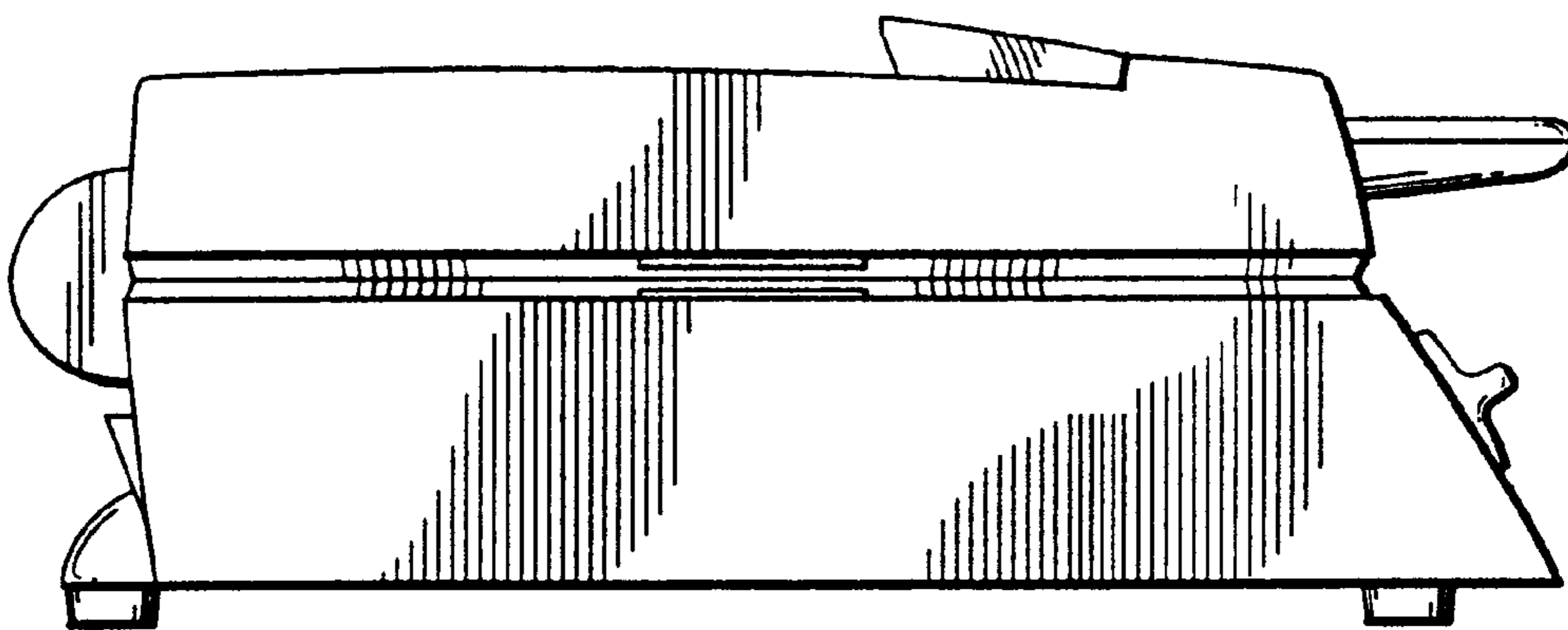


Fig. 5

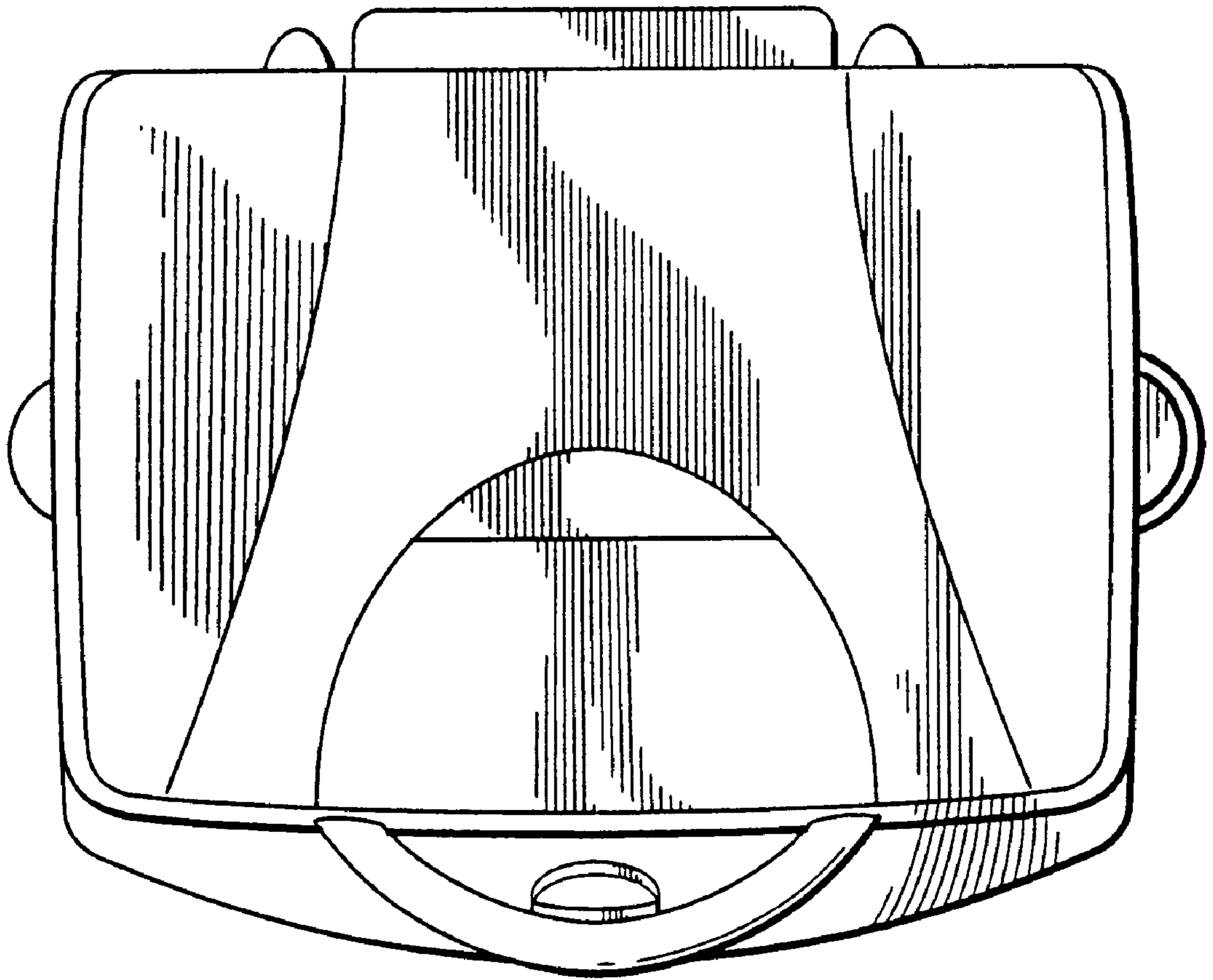


Fig. 6

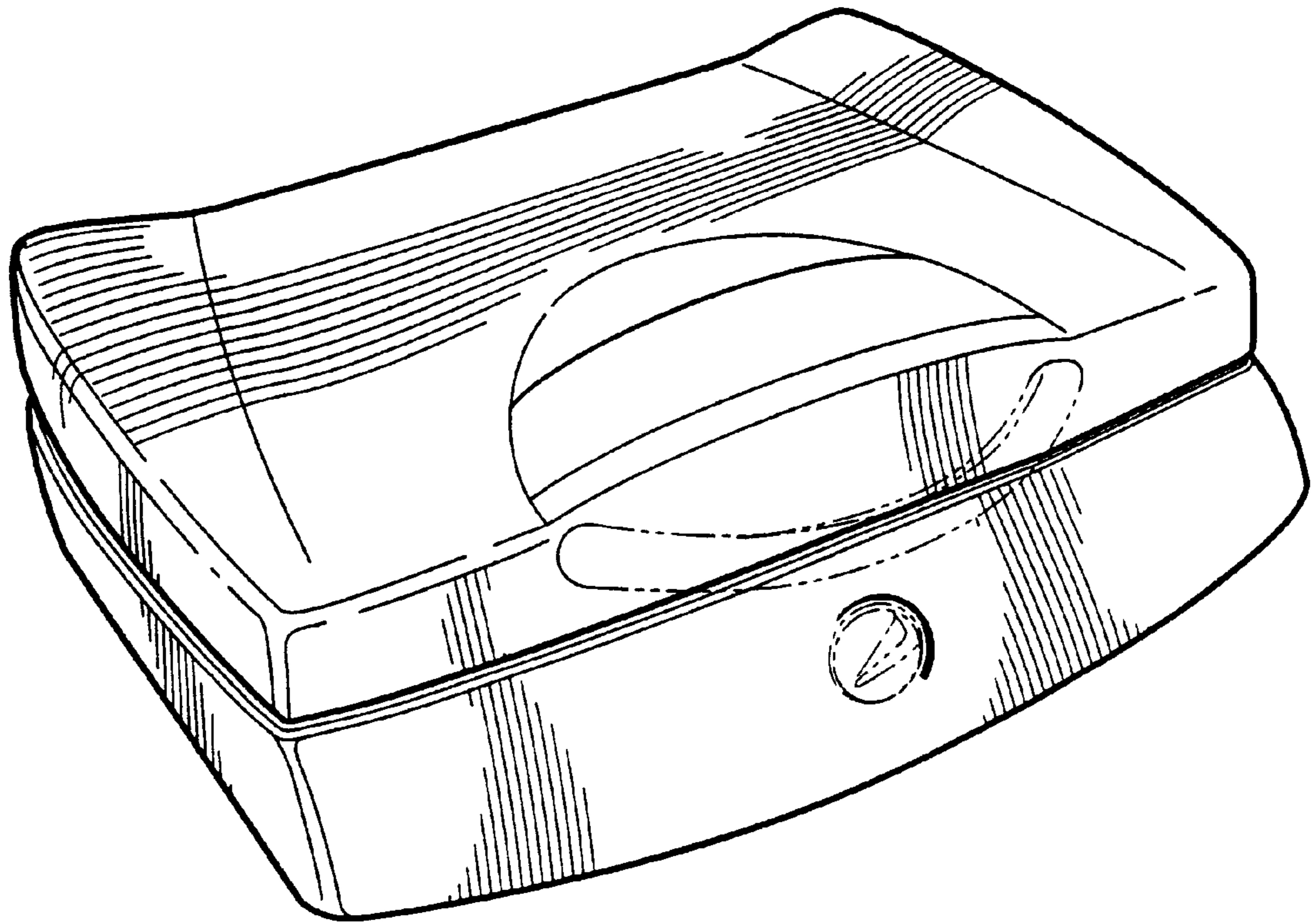


Fig. 7

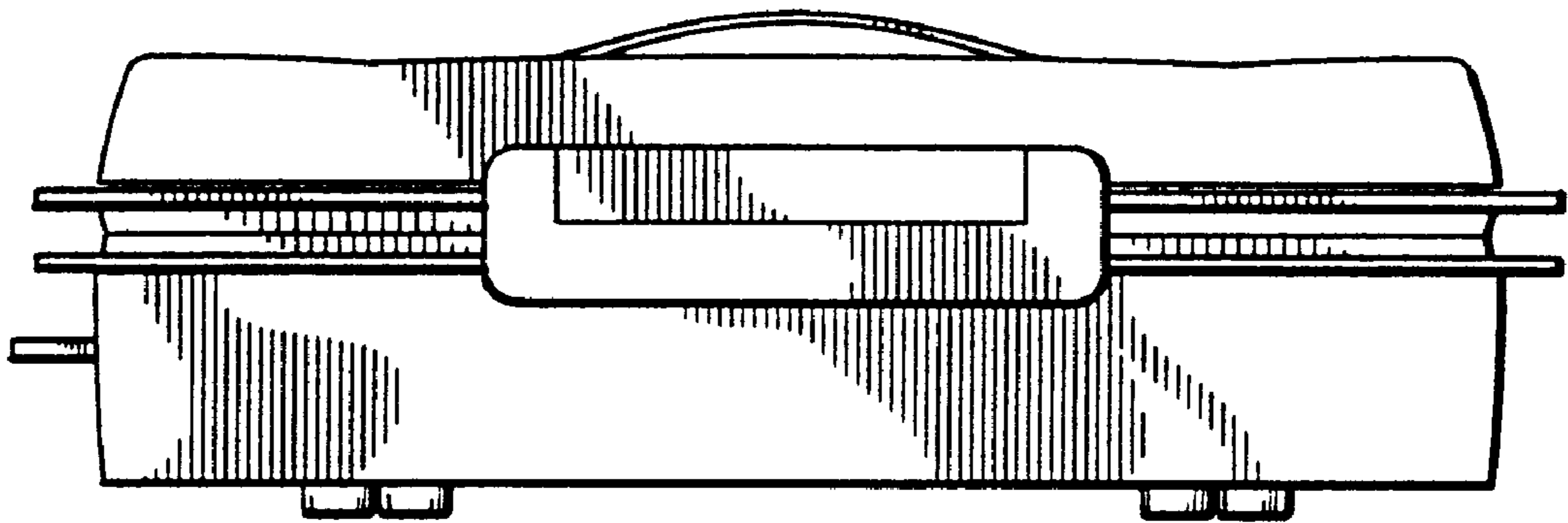


Fig. 8

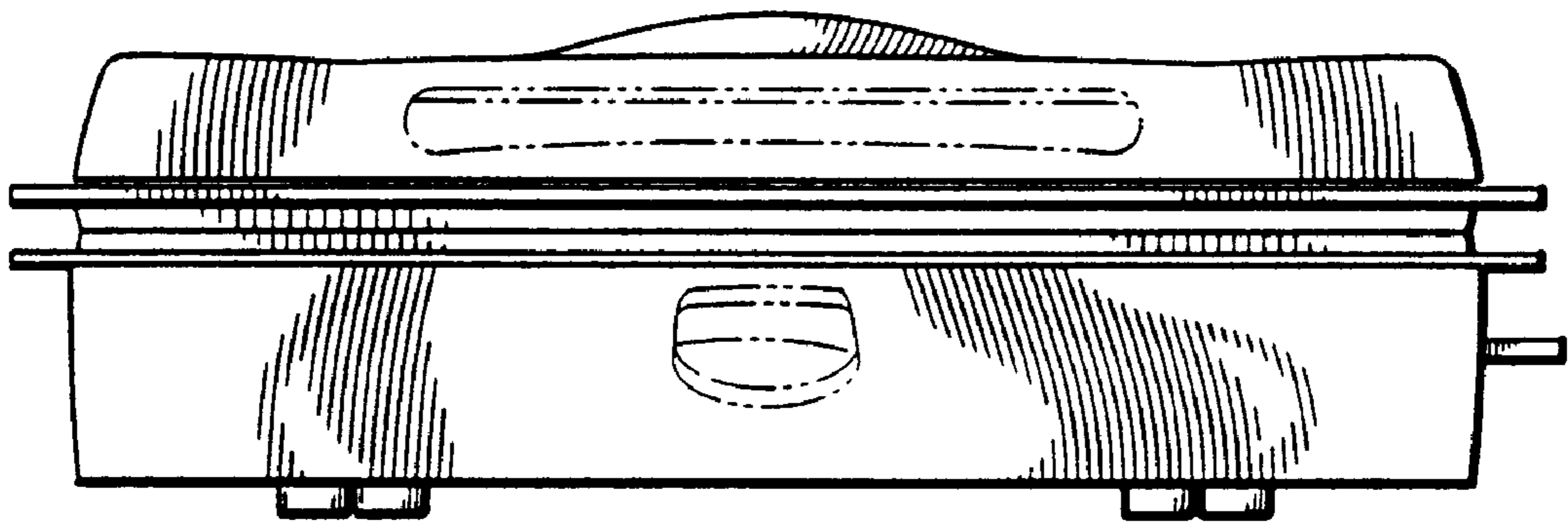


Fig. 9

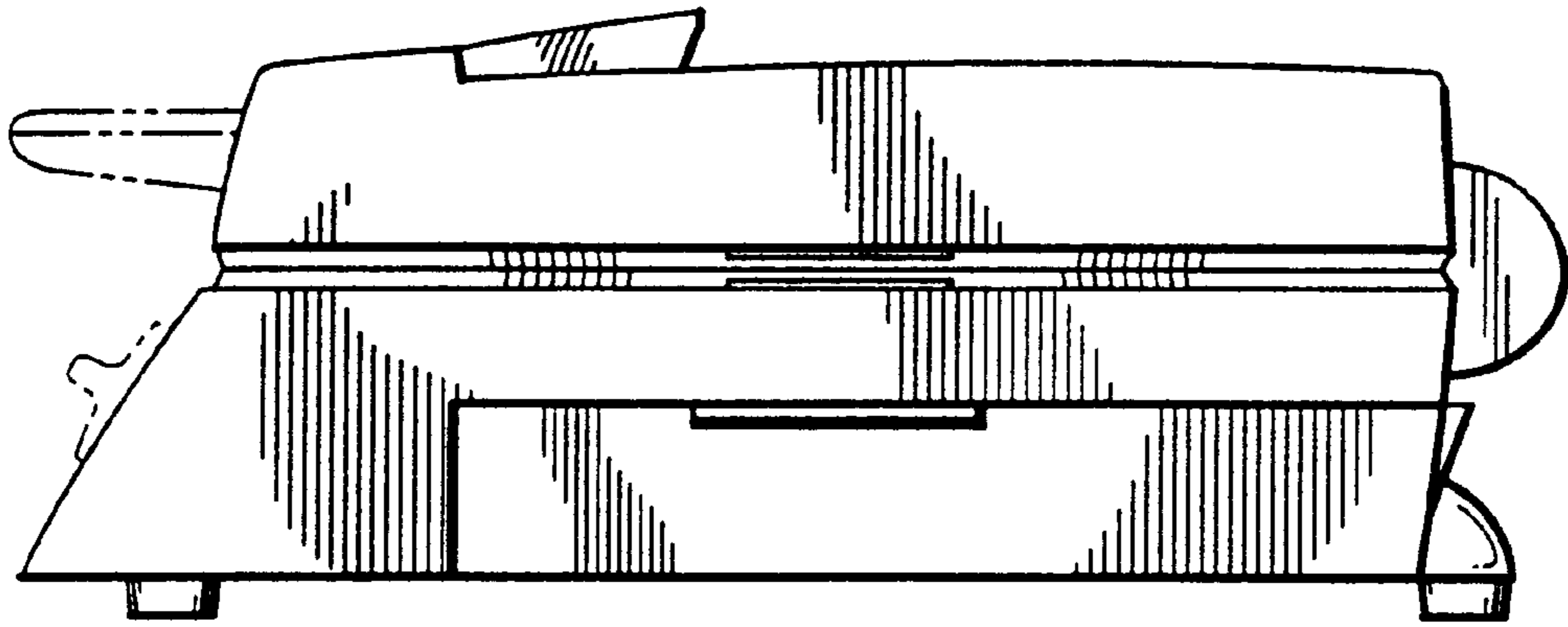


Fig. 10

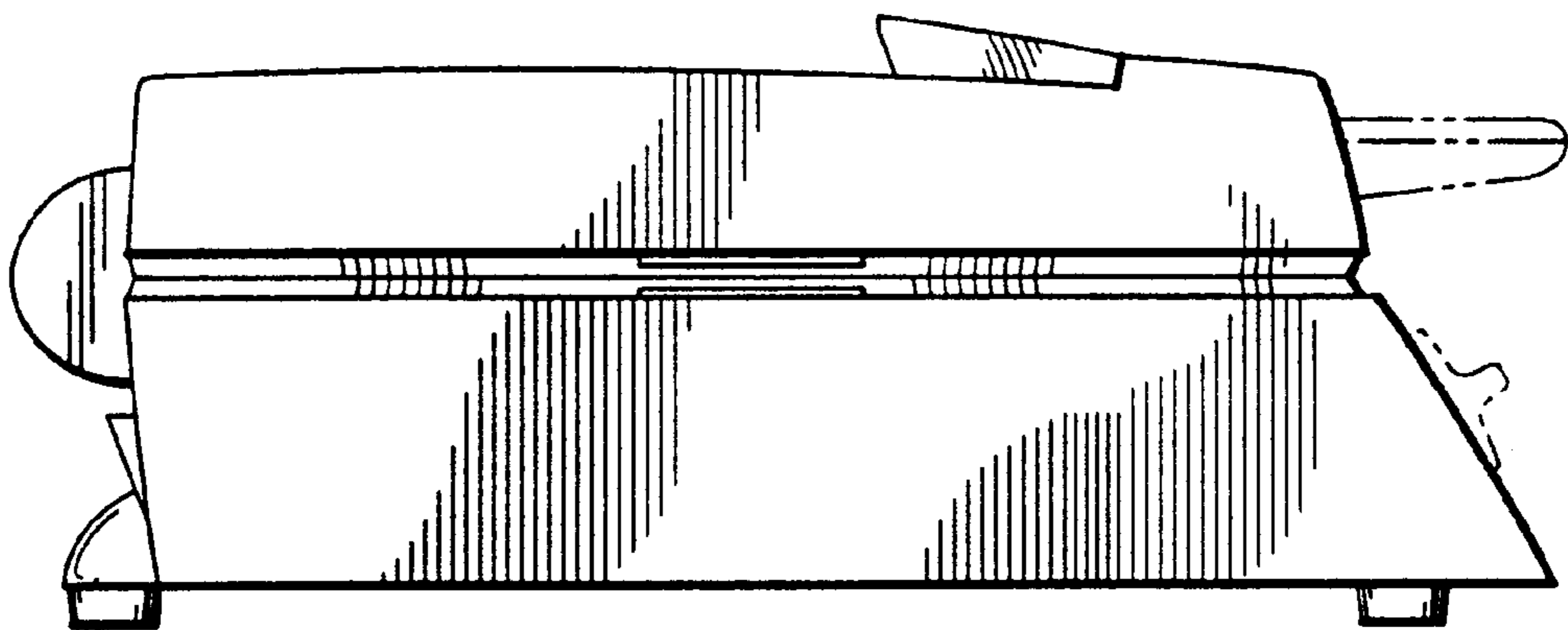


Fig. 11

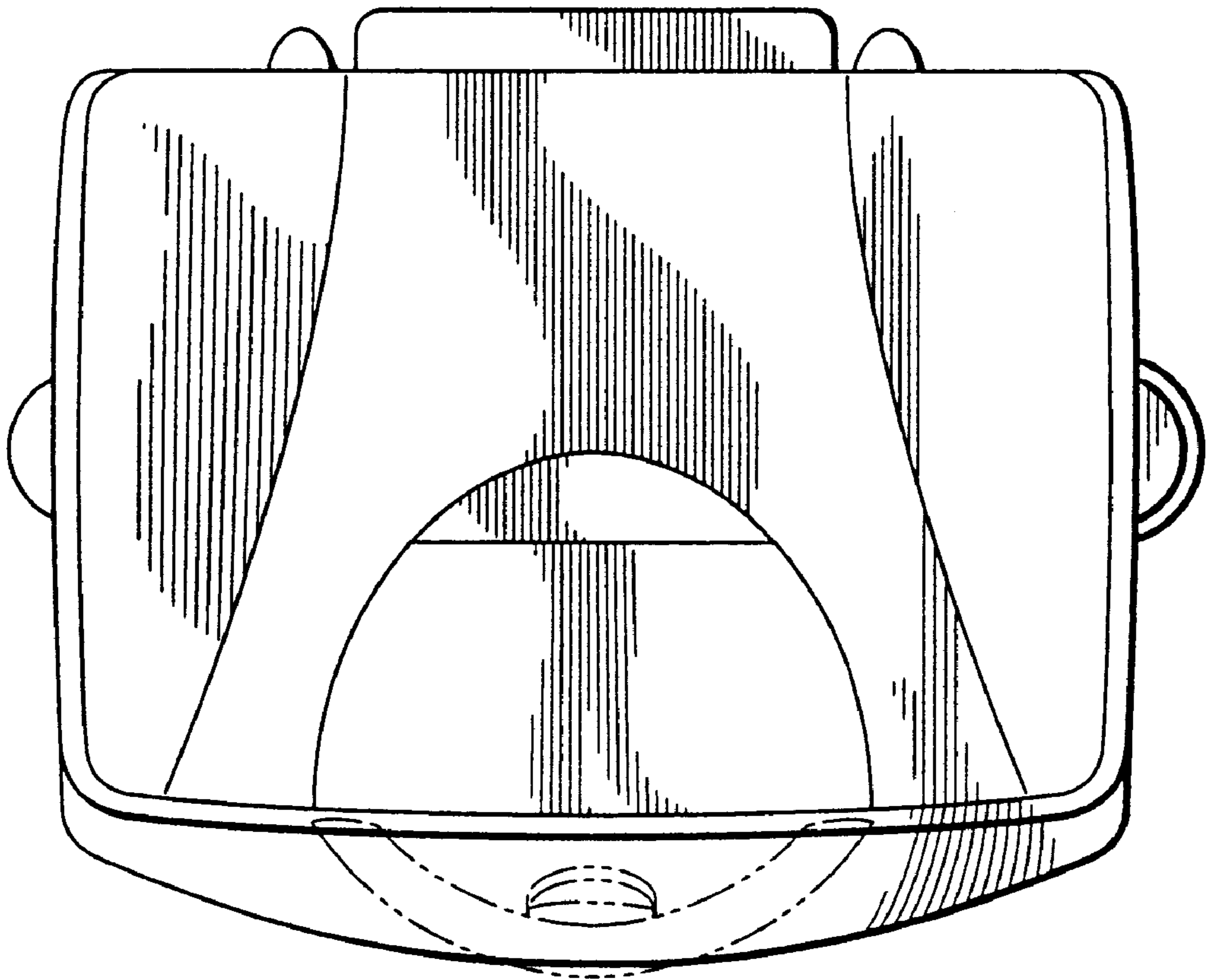


Fig. 12