



US00D439792S

(12) **United States Design Patent**
Hedrington et al.

(10) **Patent No.: US D439,792 S**

(45) **Date of Patent: ** Apr. 3, 2001**

(54) **PIZZA OVEN**

(75) Inventors: **James Alan Hedrington**, Chippewa Falls; **Lawrence A. Kalina**, Eau Claire; **Richard C. Schoenert**, Altoona, all of WI (US)

(73) Assignee: **National Presto Industries, Inc.**, Eau Claire, WI (US)

(**) Term: **14 Years**

(21) Appl. No.: **29/114,887**

(22) Filed: **Dec. 2, 1999**

(51) **LOC (7) Cl. 07-02**

(52) **U.S. Cl. D7/323; D7/350**

(58) **Field of Search** 99/392, 399, 401, 99/423, 443 R, 427, 338, 331, 442, 445-446, 450, 341, 395, 386; 219/450.1, 532-533, 429, 432, 443.1; D7/352, 357, 362-367, 323, 337, 402, 338, 350

(56) **References Cited**

U.S. PATENT DOCUMENTS

- D. 244,444 * 5/1977 Bessier et al. D7/365
- D. 272,509 * 2/1984 Hirose et al. D7/365
- D. 286,368 * 10/1986 Henke et al. D7/338
- D. 374,790 * 10/1996 Hsu D7/352
- D. 379,733 * 6/1997 Liu et al. D7/337
- D. 429,441 * 8/2000 Garber et al. D7/352
- 563,032 6/1896 Hadaway, Jr. .
- 1,054,321 2/1913 Sinks .
- 1,477,343 12/1923 Griffin .
- 2,047,046 7/1936 Wade .
- 2,168,773 8/1939 Parr .
- 2,317,225 * 4/1943 Schara 99/332
- 2,542,406 2/1951 Flajole .
- 2,646,495 7/1953 Dornbush .

- 2,920,177 1/1960 Brane .
- 3,277,813 10/1966 Luscher .
- 3,604,338 9/1971 Fiedler .
- 3,610,885 * 10/1971 Zingg 219/461
- 4,487,116 * 12/1984 Routhier 99/339
- 4,506,652 3/1985 Baker et al. .
- 4,664,025 * 5/1987 Martinez 99/331
- 4,683,813 * 8/1987 Schultz 99/353
- 4,960,977 10/1990 Alden .
- 5,398,666 3/1995 Smith et al. .
- 5,404,798 4/1995 Omarini .
- 5,441,035 * 8/1995 Liang-Chieh 126/21 R
- 5,586,488 12/1996 Liu .
- 5,845,563 * 12/1998 Haring et al. 99/419
- 6,089,144 * 7/2000 Garber et al. 99/331
- 6,125,740 10/2000 Hedrington et al. .

FOREIGN PATENT DOCUMENTS

709916 6/1966 (IT) .

* cited by examiner

Primary Examiner—Ruth McInroy

(74) *Attorney, Agent, or Firm*—Merchant & Gould P.C.

(57) **CLAIM**

The ornamental design for a pizza oven, as shown and described.

DESCRIPTION

FIG. 1 is a perspective view of a pizza oven showing our new design;
FIG. 2 is a top plan view thereof;
FIG. 3 is a bottom plan view thereof;
FIG. 4 is a front elevational view thereof;
FIG. 5 is a back elevational view thereof; and,
FIG. 6 is a right elevational side view thereof, the left side being a mirror image.

1 Claim, 6 Drawing Sheets

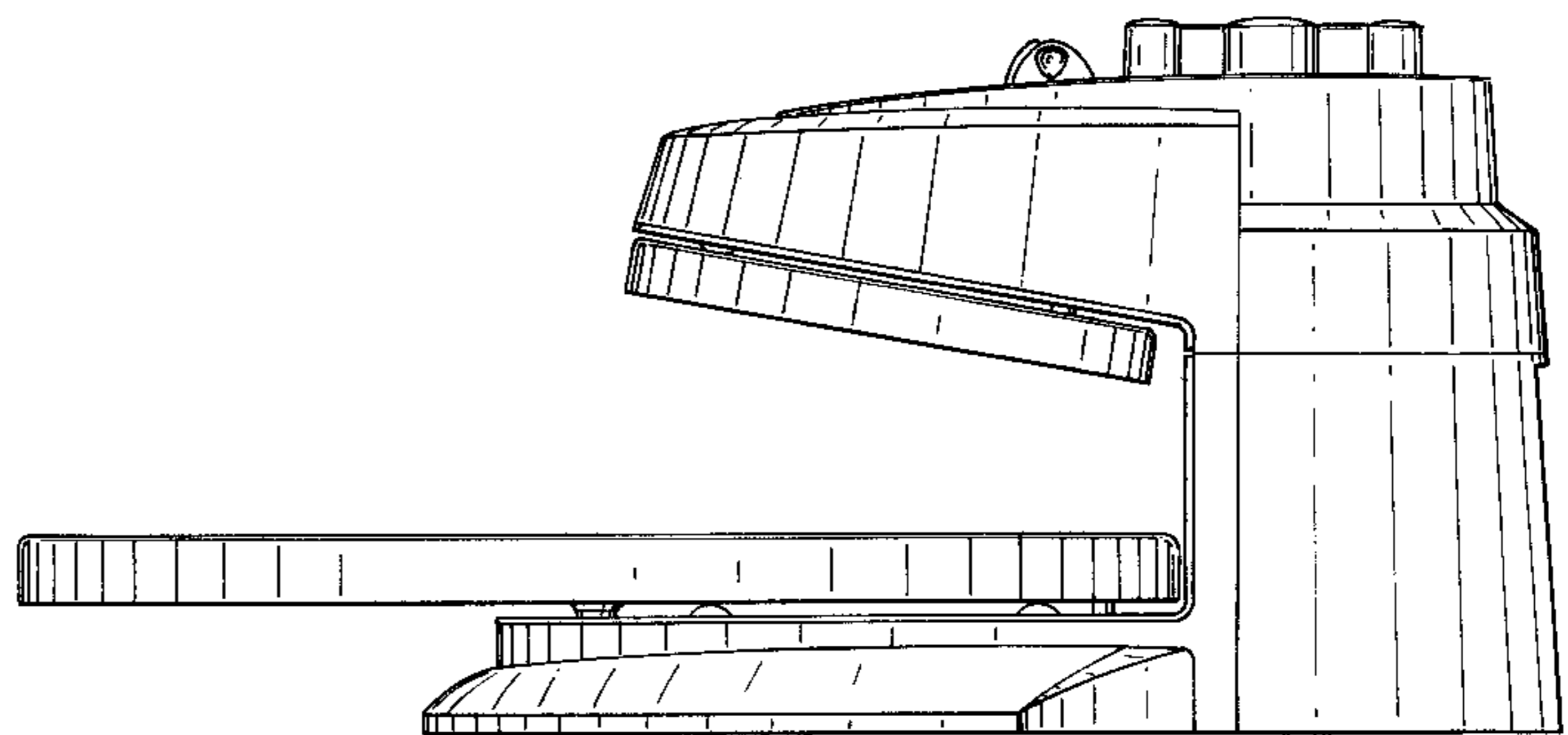
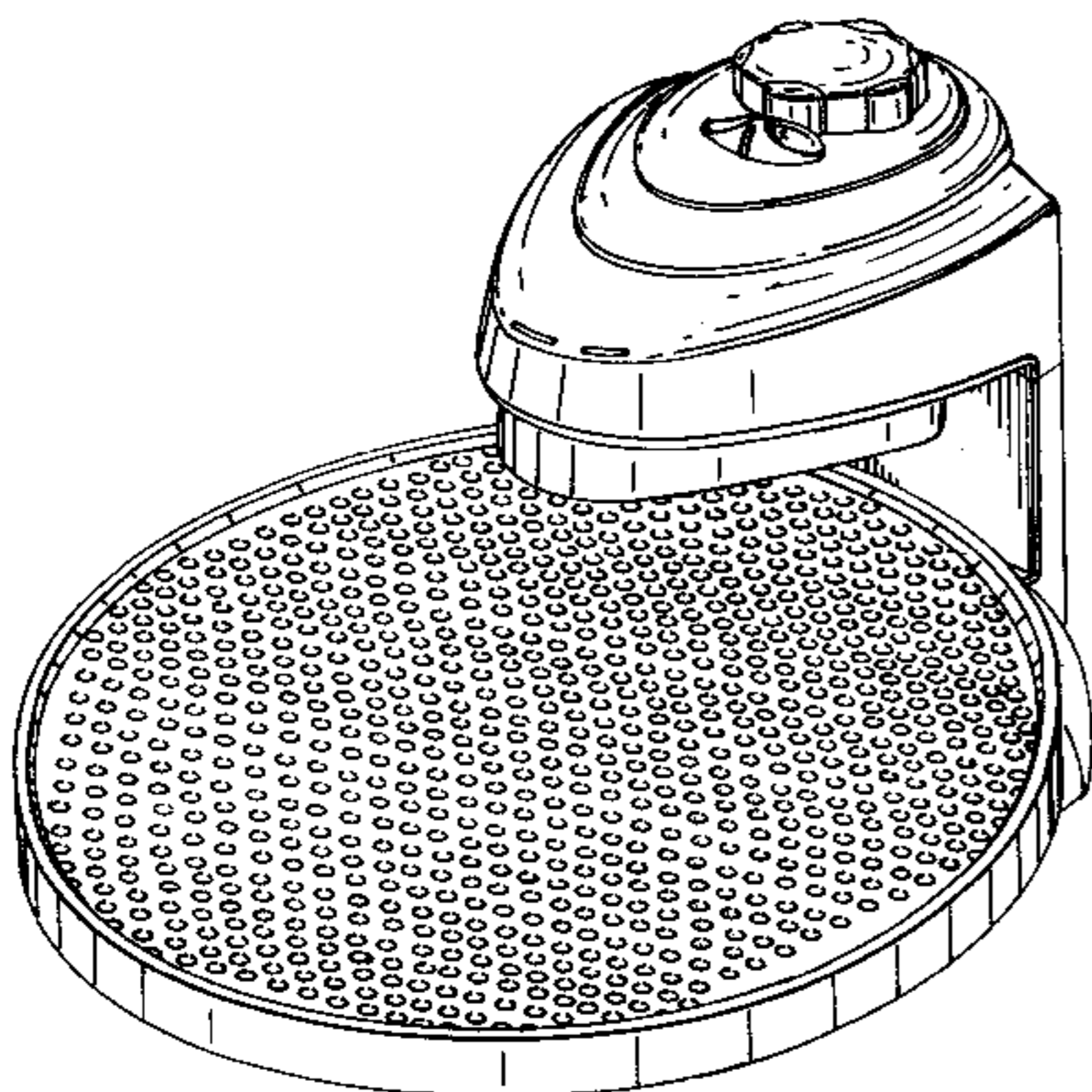


FIG. 1

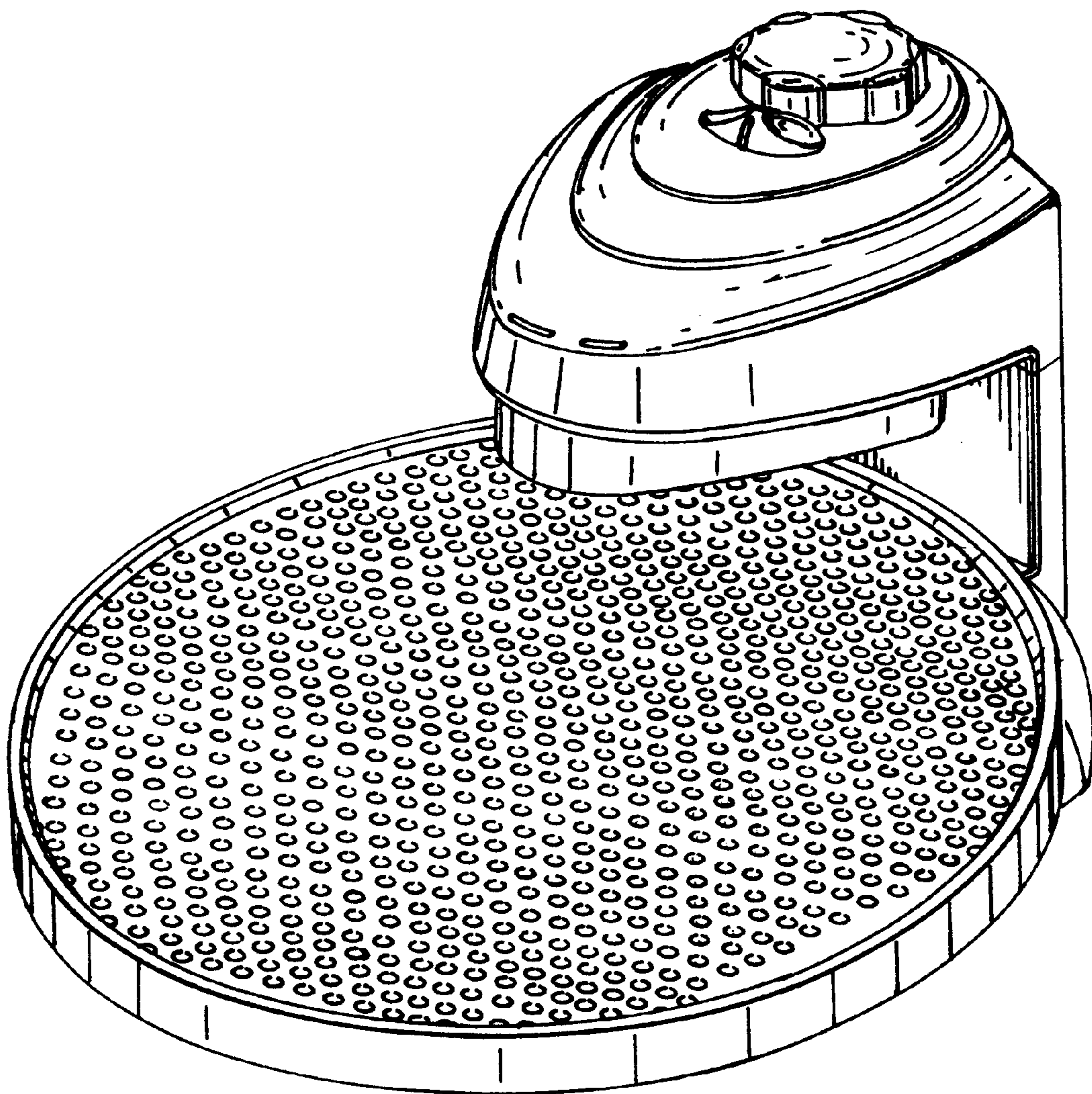


FIG. 2

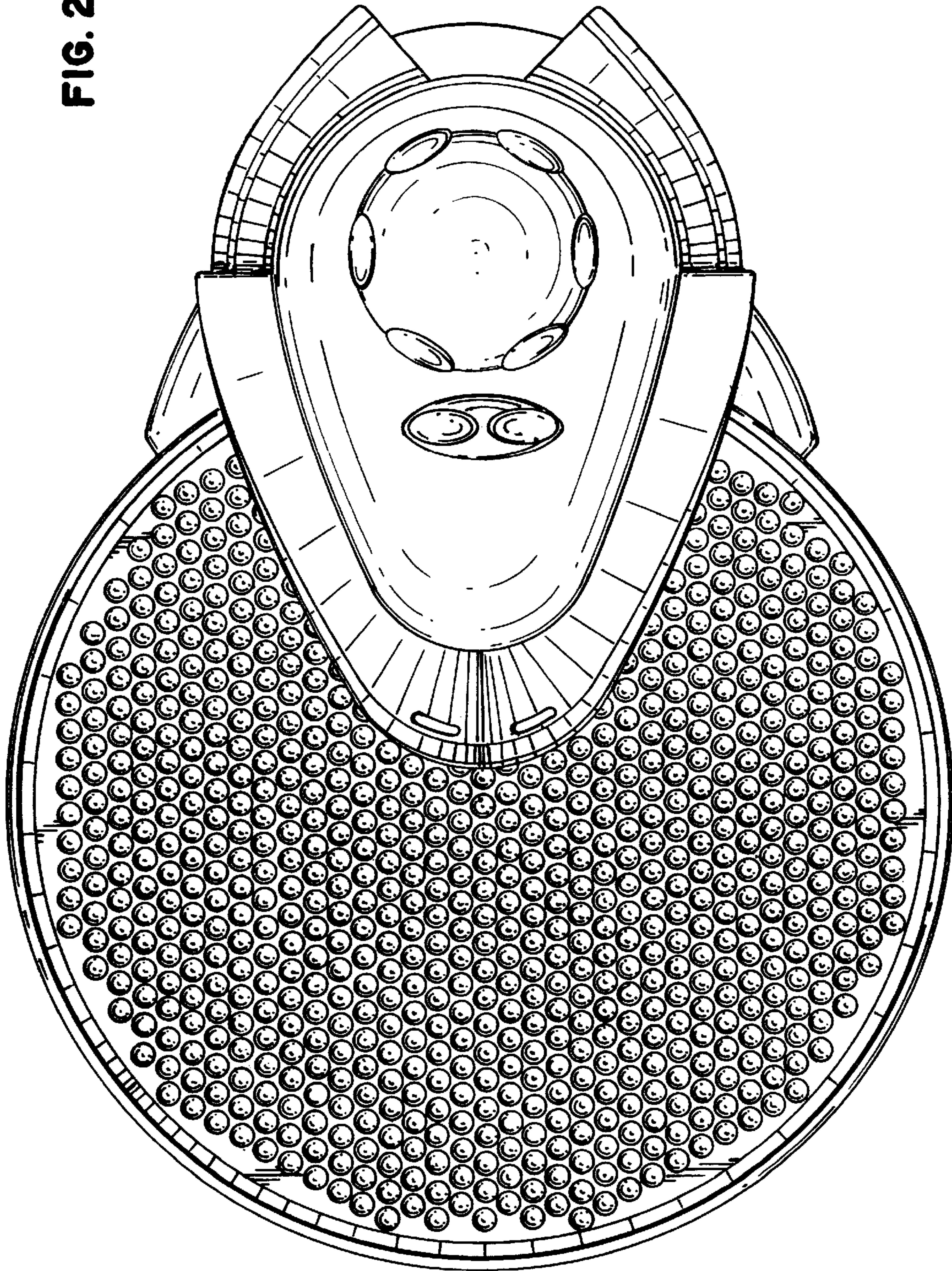


FIG. 3

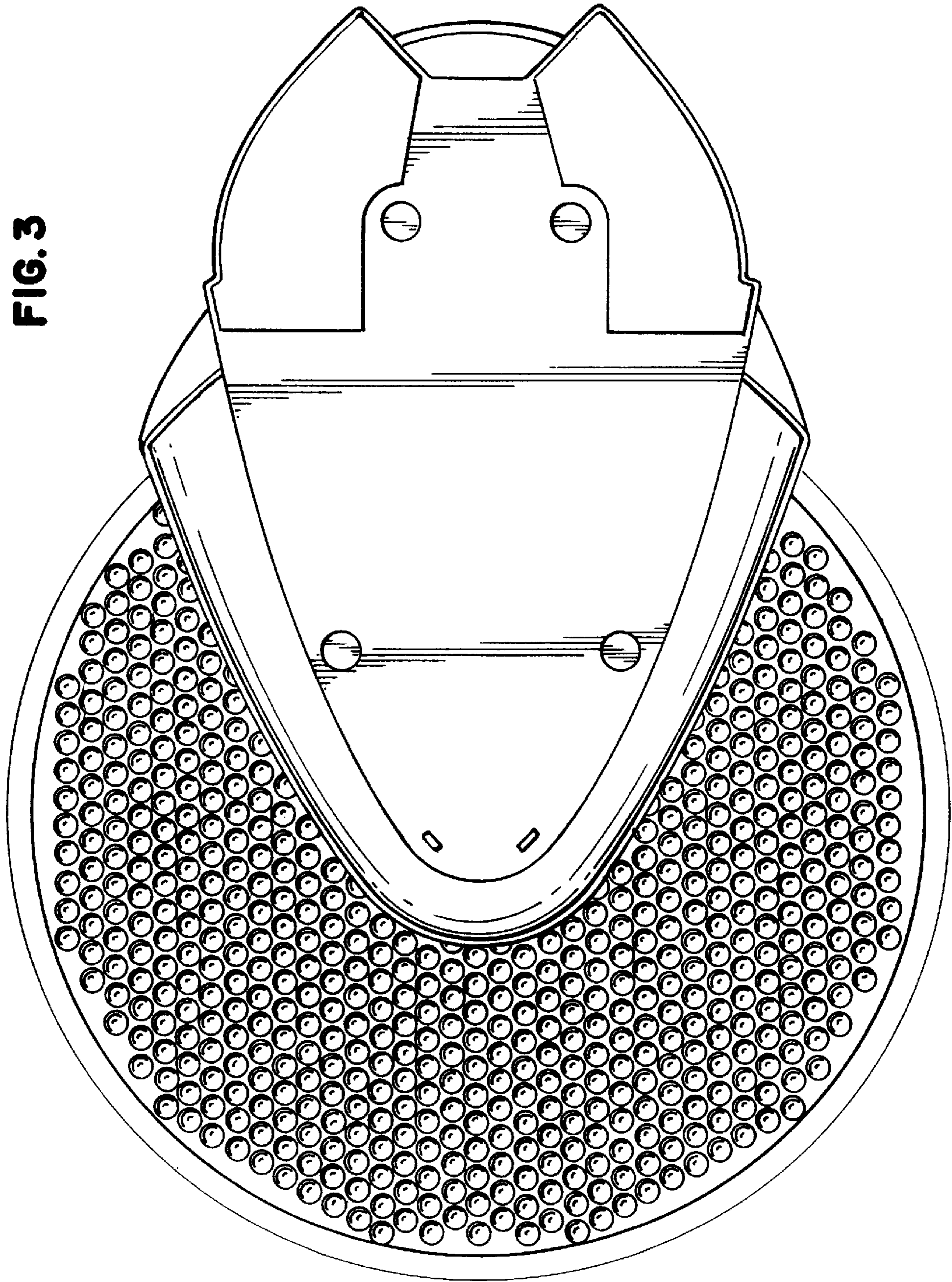


FIG. 4

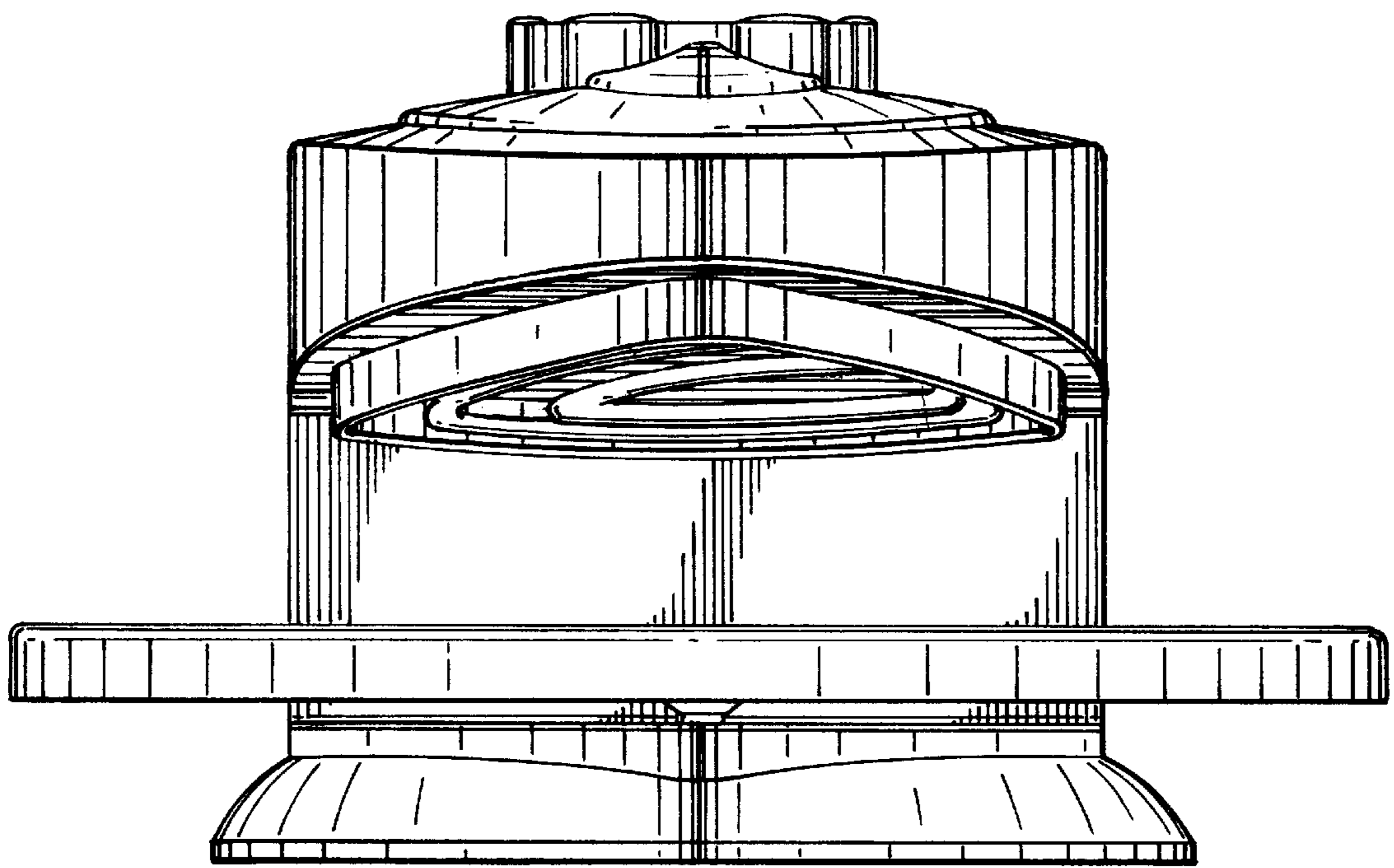


FIG. 5

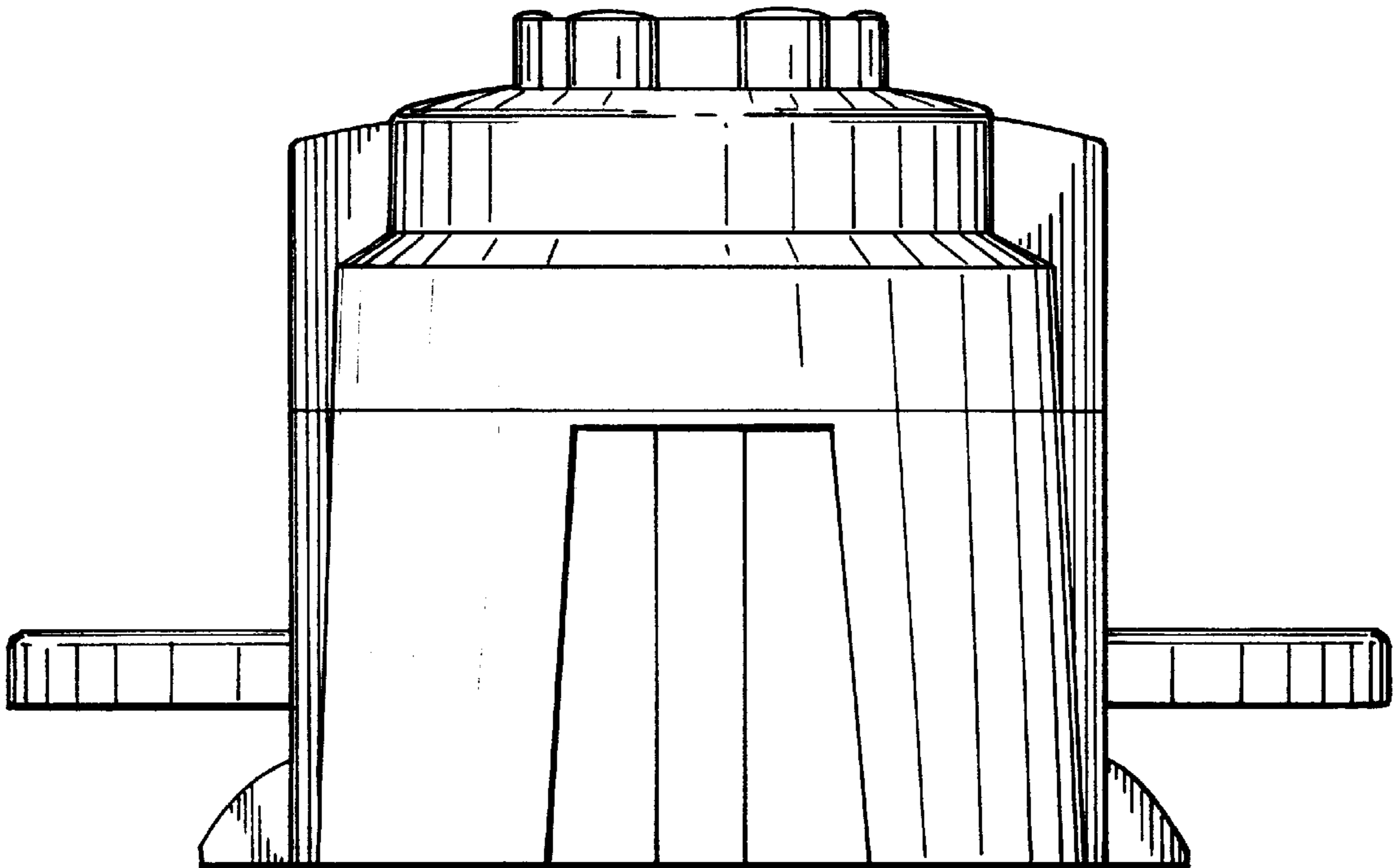


FIG. 6

