



US00D439790S

(12) **United States Design Patent**  
**Matsushita et al.**

(10) **Patent No.:** **US D439,790 S**

(45) **Date of Patent:** **\*\* Apr. 3, 2001**

(54) **WATER PITCHER**

(75) Inventors: **Roy Matsushita, Sunderland; Paul Serenko, Allenford, both of (CA)**

(73) Assignee: **Matscorp Ltd., Markham (CA)**

(\*\*) Term: **14 Years**

(21) Appl. No.: **29/112,221**

(22) Filed: **Oct. 14, 1999**

(30) **Foreign Application Priority Data**

Apr. 16, 1999 (CA) ..... 1999-0944

(51) **LOC (7) Cl.** ..... **07-01**

(52) **U.S. Cl.** ..... **D7/319; D7/317**

(58) **Field of Search** ..... D7/322, 312, 300,  
D7/316, 317, 318, 319, 321, 600; 220/504,  
374; 215/398; 210/282; 222/144, 144.5,  
475.1

(56) **References Cited**

**U.S. PATENT DOCUMENTS**

D. 350,255	*	9/1994	Daenen et al.	.....	D7/317
D. 367,201	*	2/1996	Joergensen	.....	D7/305
D. 383,351	*	9/1997	DeMore	.....	D7/319
D. 386,041	*	11/1997	Tanner et al.	.....	D7/319
D. 388,655	*	1/1998	Flom et al.	.....	D7/319
D. 389,004	*	1/1998	Hampshire et al.	.....	D7/319
D. 389,006	*	1/1998	Demore et al.	.....	D7/319
D. 393,175	*	4/1998	Chang	.....	D7/319
D. 398,184	*	9/1998	Silverberg et al.	.....	D7/319
D. 415,922	*	11/1999	Kawasaki et al.	.....	D7/317

D. 419,027	*	1/2000	Haslem et al.	.....	D7/319
D. 421,361	*	3/2000	Coulson et al.	.....	D7/319
D. 430,449	*	9/2000	Yeh	.....	D7/319
5,536,394		7/1996	Lund et al.	.....	210/87
5,882,507		3/1999	Tanner et al.	.....	210/85
5,989,424		11/1999	Serenko et al.	.....	210/266

**FOREIGN PATENT DOCUMENTS**

59013		7/1987	(CA)	.
74690		9/1994	(CA)	.

\* cited by examiner

*Primary Examiner*—M. N. Pandozzi

(74) *Attorney, Agent, or Firm*—Patrick J. Hofbauer

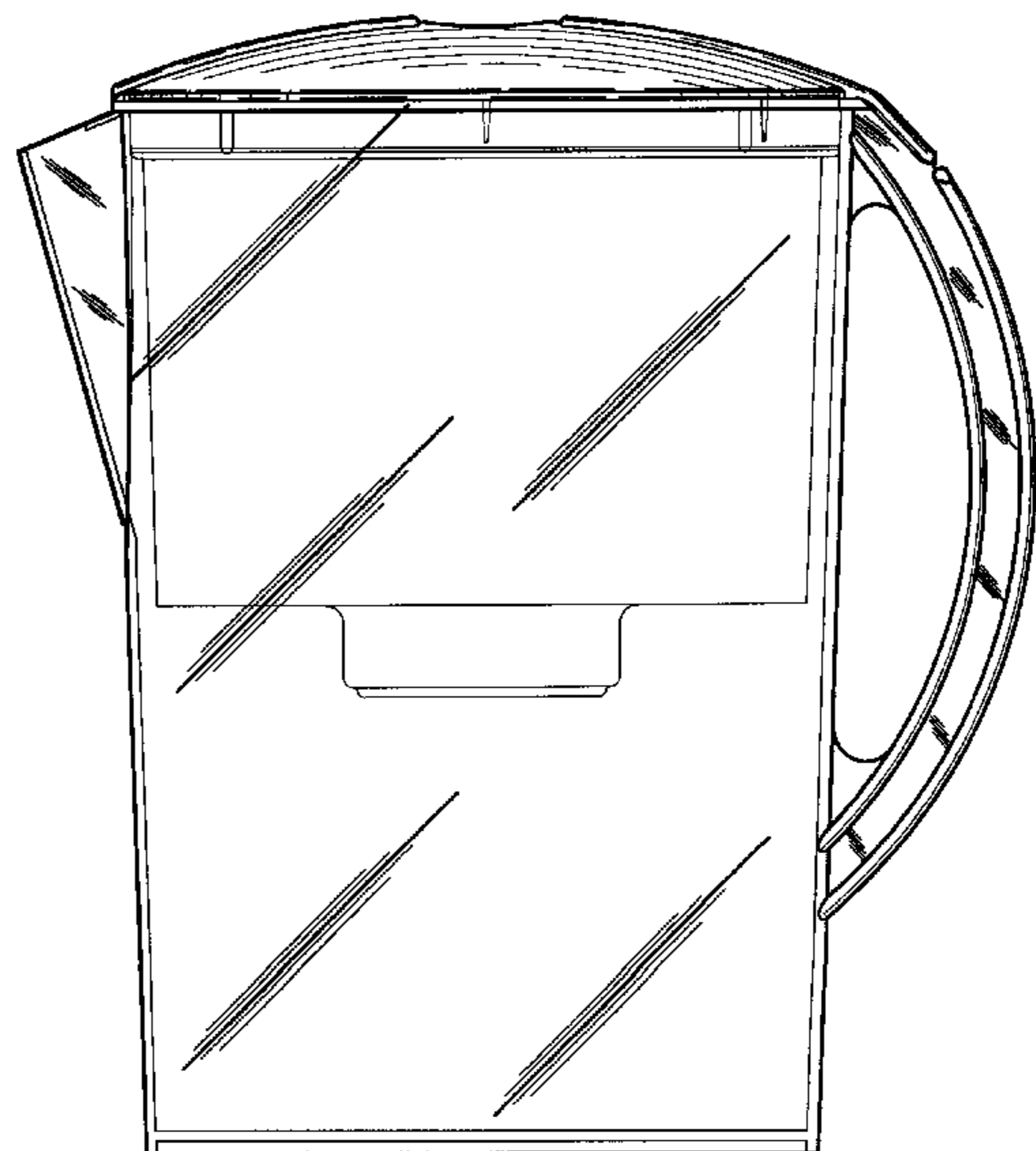
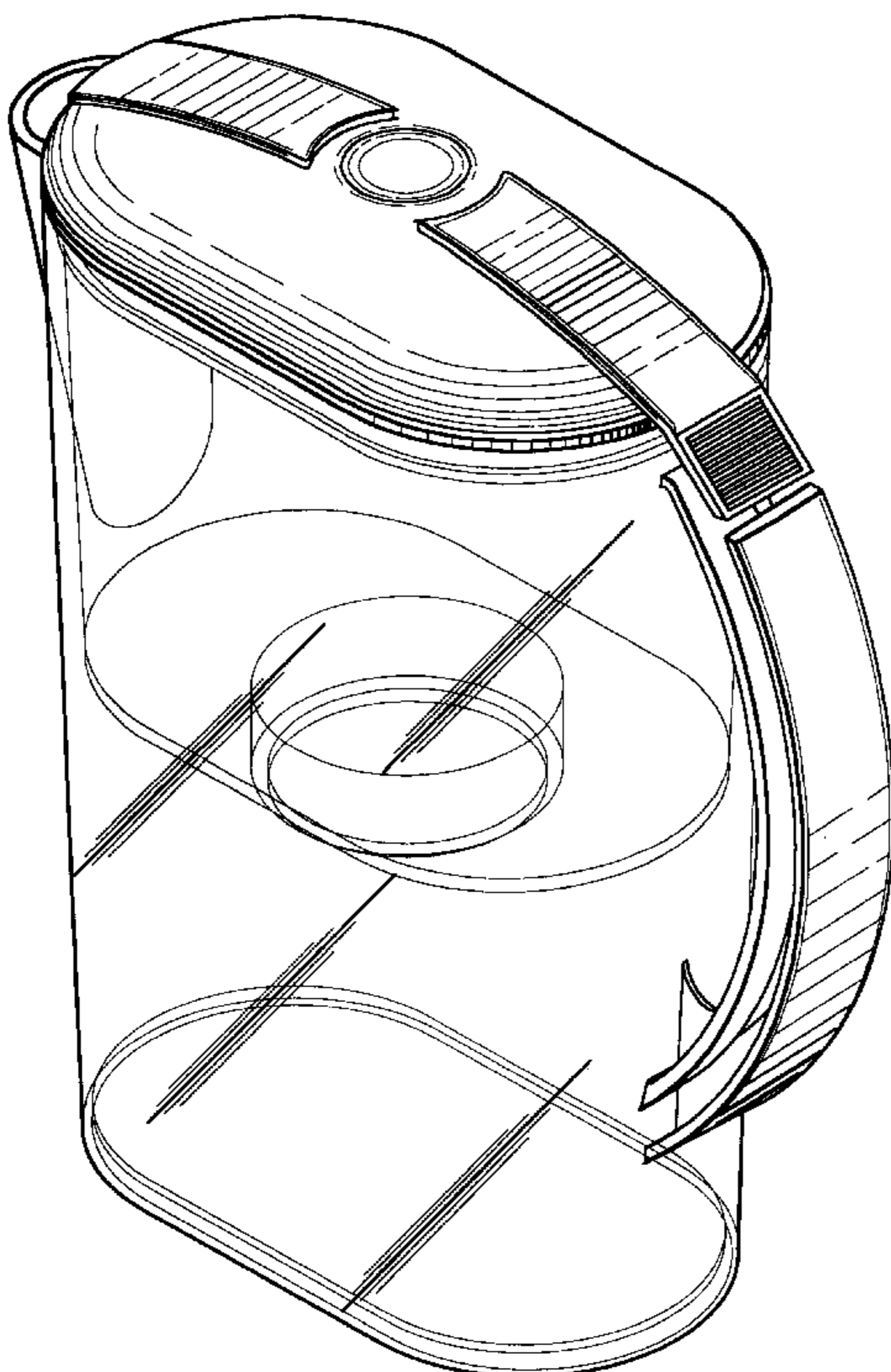
(57) **CLAIM**

The ornamental design for a water pitcher, as shown and described.

**DESCRIPTION**

FIG. 1 is a perspective view of the water pitcher embodying our design;  
 FIG. 2 is a side elevational view of the water pitcher of FIG. 1;  
 FIG. 3 is a front elevational view of the water pitcher of FIG. 1;  
 FIG. 4 is a back elevational view of the water pitcher of FIG. 1;  
 FIG. 5 is a bottom elevational view of the water pitcher of FIG. 1; and,  
 FIG. 6 is a top elevational view of the water pitcher of FIG. 1.

**1 Claim, 3 Drawing Sheets**



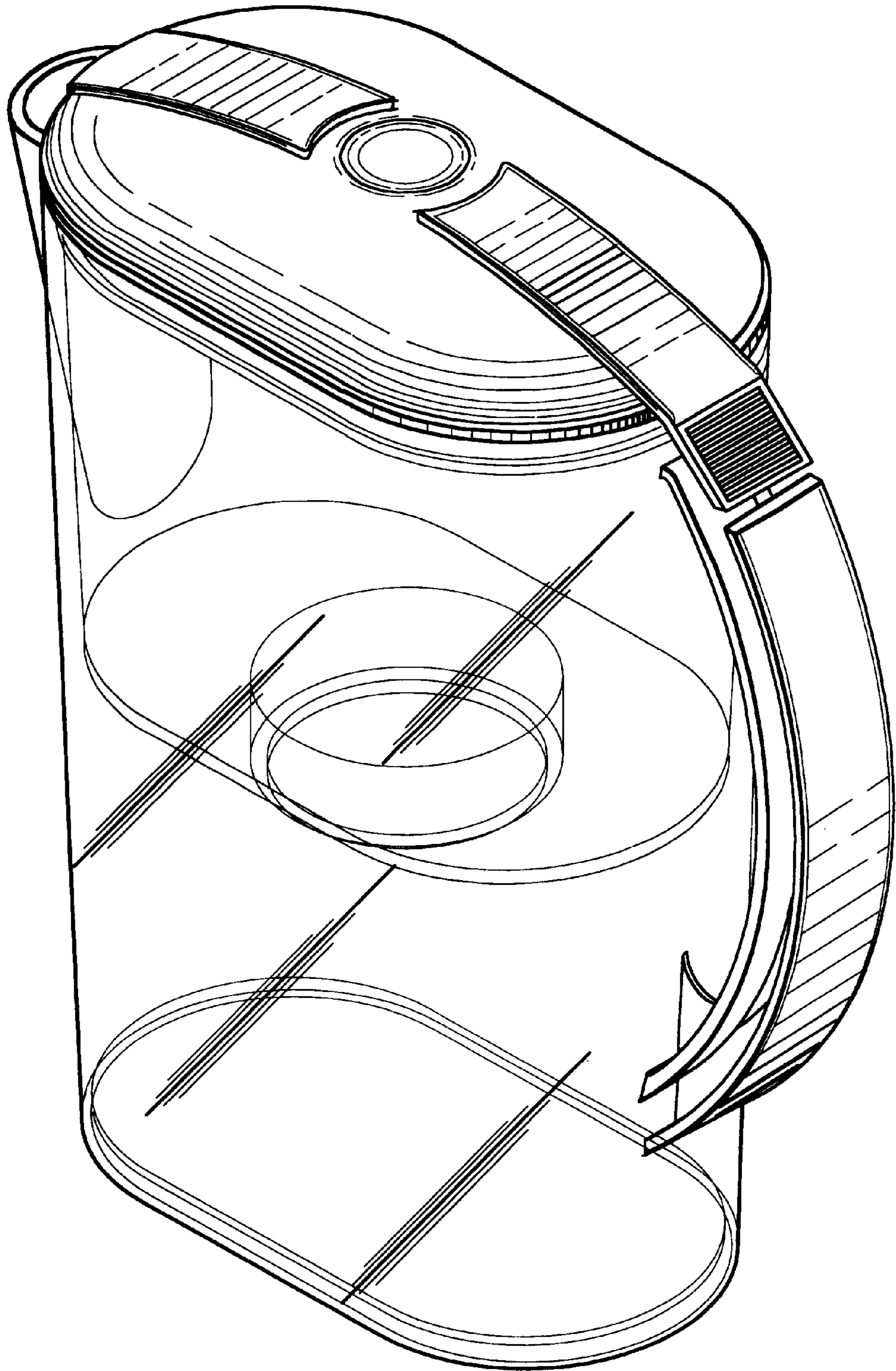


FIG. 1

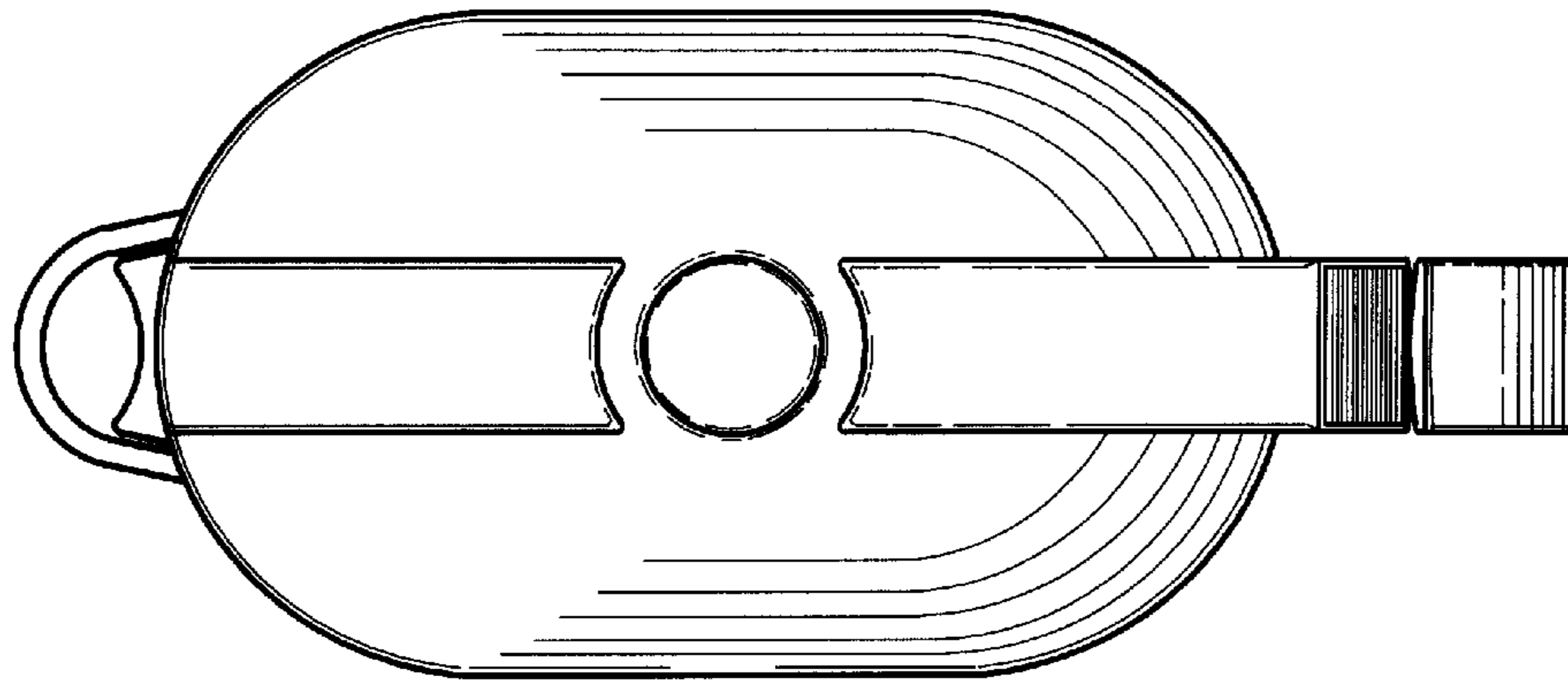


FIG. 6

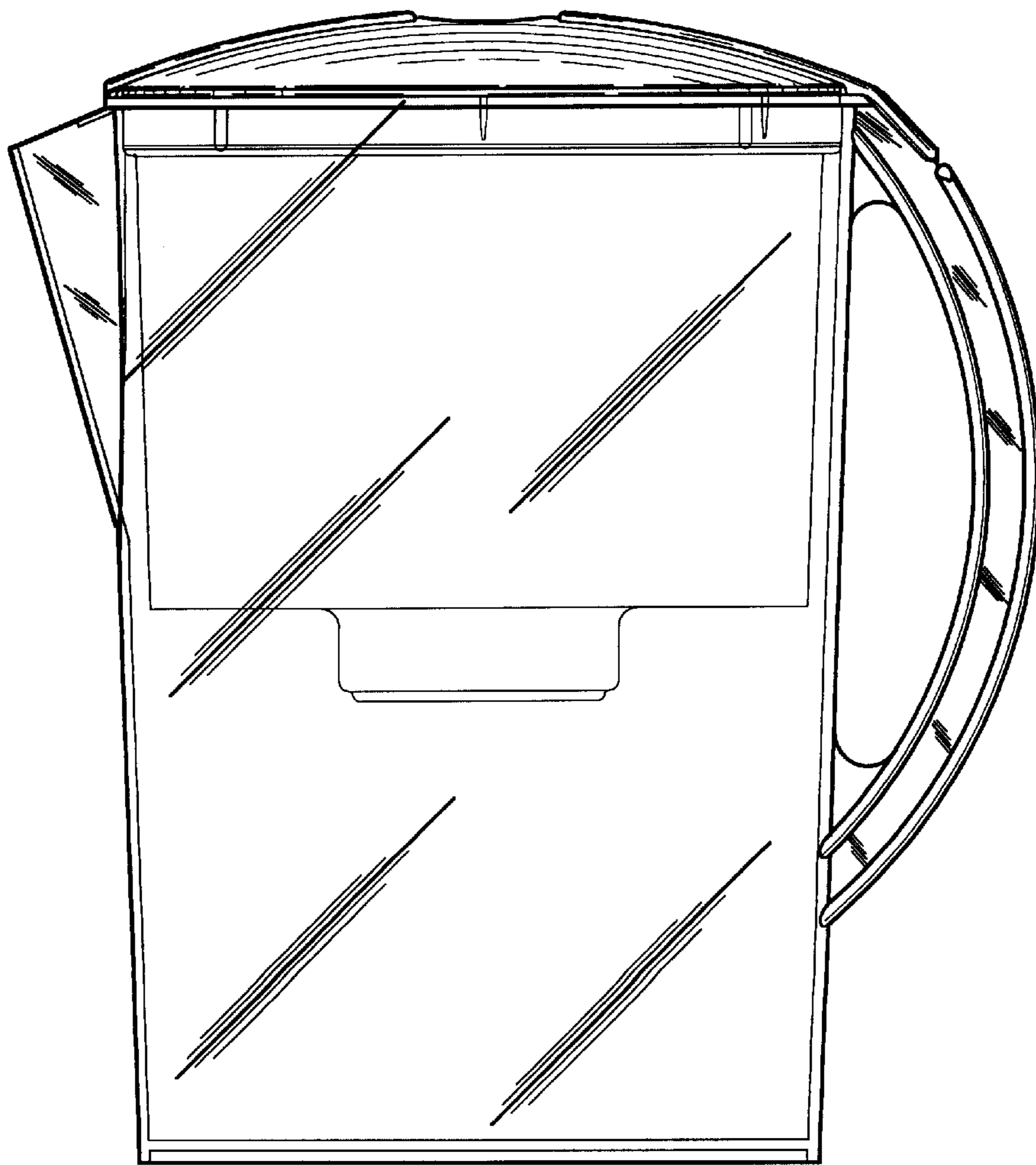


FIG. 2

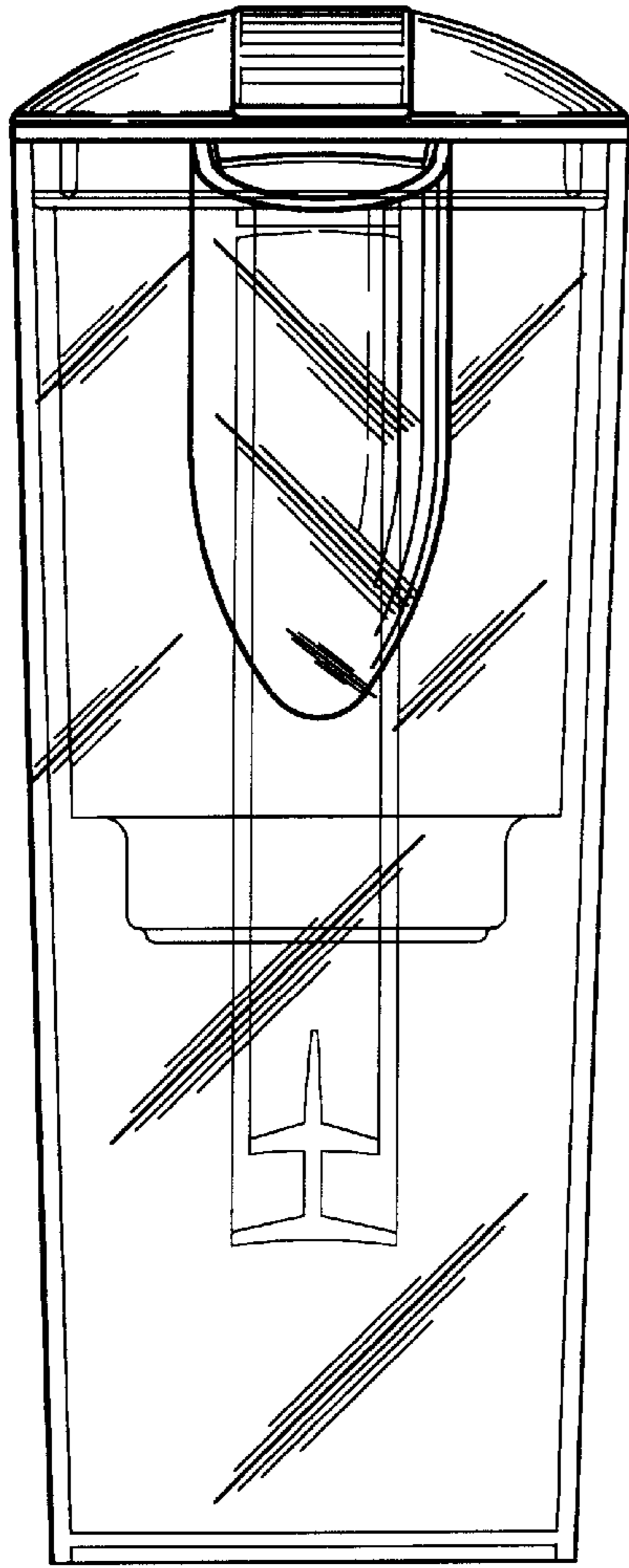


FIG. 3

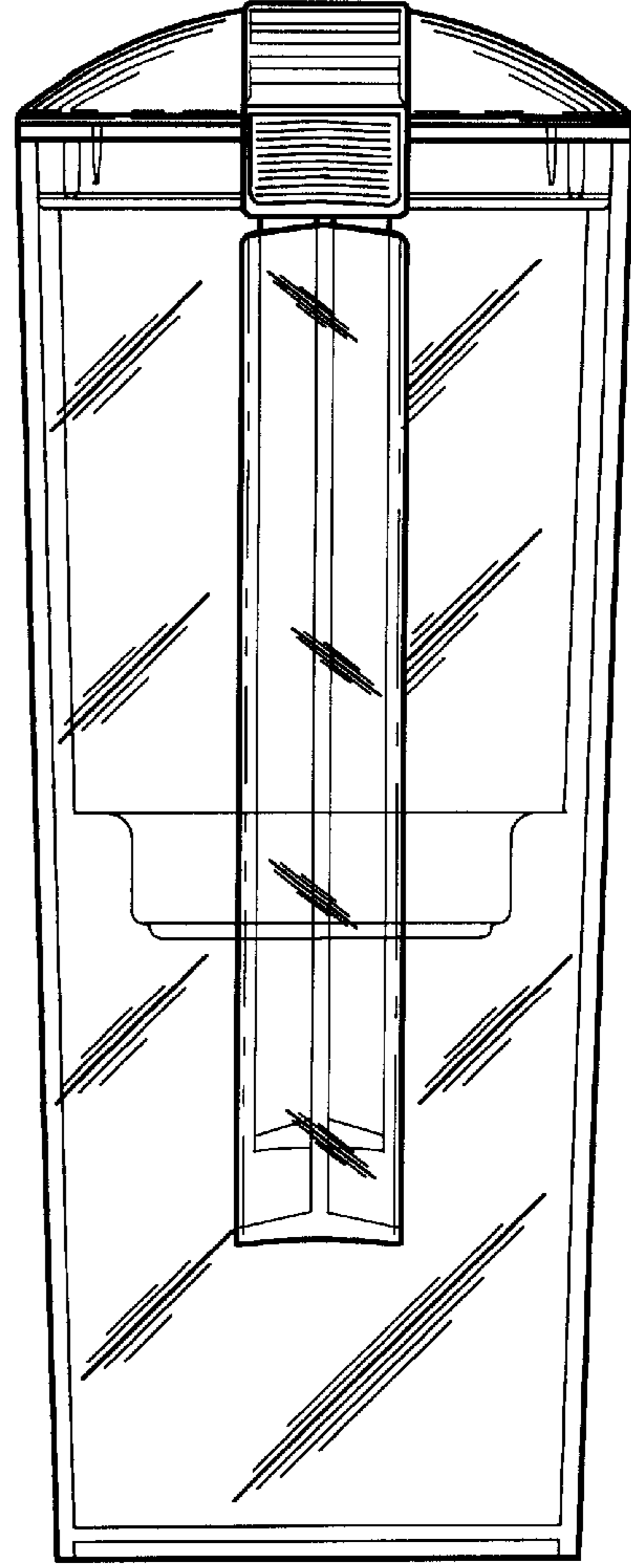


FIG. 4

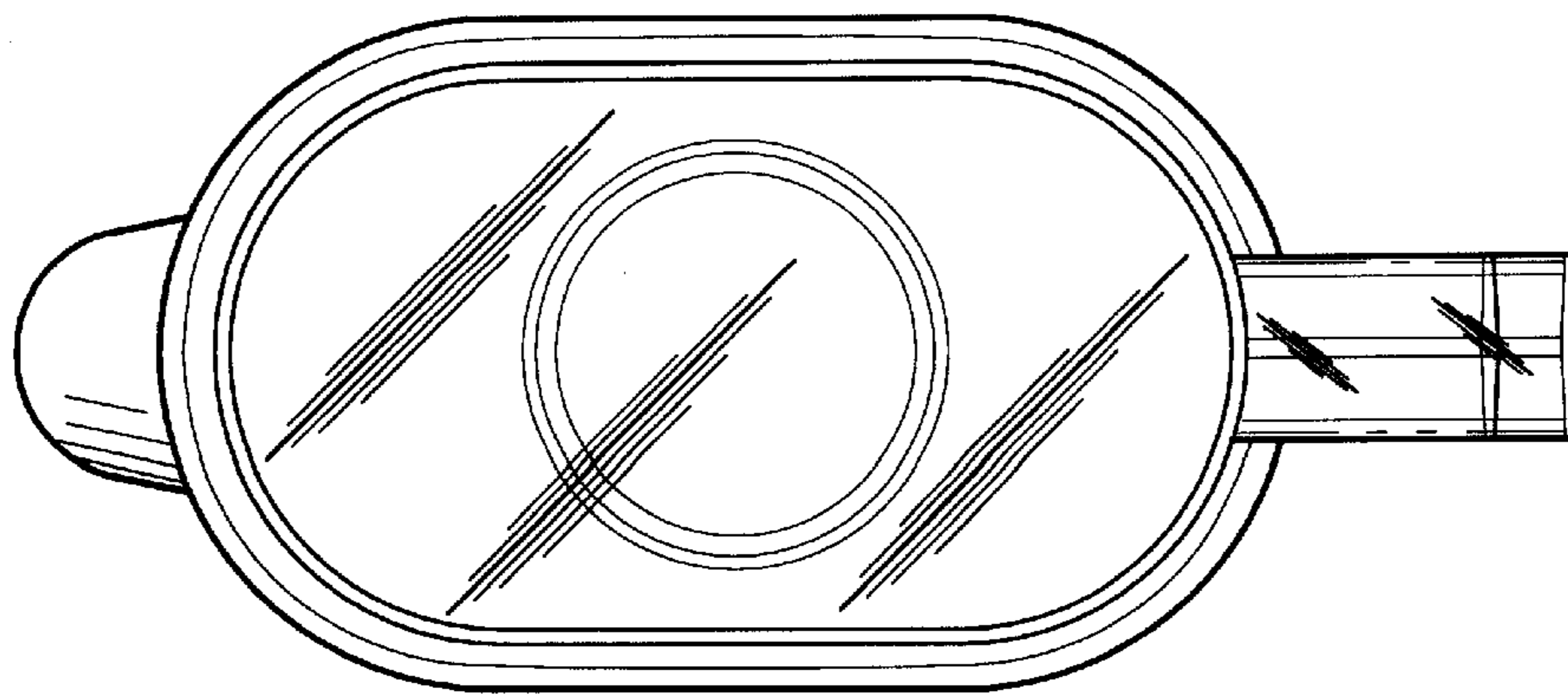


FIG. 5