



US00D439786S

(12) **United States Design Patent**  
**Myszka et al.**

(10) **Patent No.:** **US D439,786 S**

(45) **Date of Patent:** **\*\* Apr. 3, 2001**

(54) **STORAGE CONTAINER FOR DISC-SHAPED ITEM OF RECORDED MEDIA**

(75) Inventors: **Kevin E. Myszka**, Kent; **James M. Byrne**, Massillon; **James N. Peterson**, North Canton, all of OH (US)

(73) Assignee: **Nexpak Corporation**, North Canton, OH (US)

(\*\*) Term: **14 Years**

(21) Appl. No.: **29/124,332**

(22) Filed: **Jun. 2, 2000**

(51) **LOC (7) Cl.** ..... **06-11**

(52) **U.S. Cl.** ..... **D6/634; D6/407; D6/632**

(58) **Field of Search** ..... **D3/201; D6/407, D6/408, 626-635, 124; D14/26, 27; D19/32, 33, 74, 89; D27/340, 360; 40/626, 771, 775, 307; 150/149; 132/312; 206/307.1, 308.1, 308.3, 309, 311, 312, 313, 387.13, 396, 408, 232; 229/67.1, 68.1, 70-72**

(56) **References Cited**

**U.S. PATENT DOCUMENTS**

D. 362,367	*	9/1995	Olsson et al.	.....	D6/632
D. 387,217	*	12/1997	Lakoski et al.	.....	D6/407
D. 430,444	*	9/2000	Allsop et al.	.....	D6/632
1,626,842	*	5/1927	Kendall	.....	220/4.22
2,410,585	*	11/1946	Leitner	.....	220/4.22
4,149,729	*	4/1979	Peters	.....	206/309
4,387,807	*	6/1983	Rosa	.....	206/312
5,205,431	*	4/1993	Zinnbauer	.....	220/326
5,848,687	*	12/1998	Shultz	.....	206/308.1
6,065,593	*	5/2000	Howerton et al.	.....	206/310

\* cited by examiner

*Primary Examiner*—Celia Murphy

(74) *Attorney, Agent, or Firm*—Sand & Sebolt

(57) **CLAIM**

We claim the ornamental design for a storage container for a disc-shaped item of recorded media, as shown and described.

**DESCRIPTION**

FIG. 1 is a perspective view of a storage container for a disc-shaped item of recorded media showing our new design;

FIG. 2 is a top plan view of the storage container;

FIG. 3 is a front view of FIG. 2;

FIG. 4 is a right side elevational view of FIG. 2;

FIG. 5 is a left side elevational view of FIG. 2;

FIG. 6 is a rear elevational view of FIG. 2;

FIG. 7 is a bottom plan view of FIG. 2;

FIG. 8 is a top plan view of the first embodiment of the storage container in an open condition;

FIG. 9 is a perspective view of a second embodiment of the design shown in FIG. 1;

FIG. 10 is a top plan view of the second embodiment of the storage container;

FIG. 11 is a front elevational view of FIG. 10;

FIG. 12 is a right side elevational view of FIG. 10;

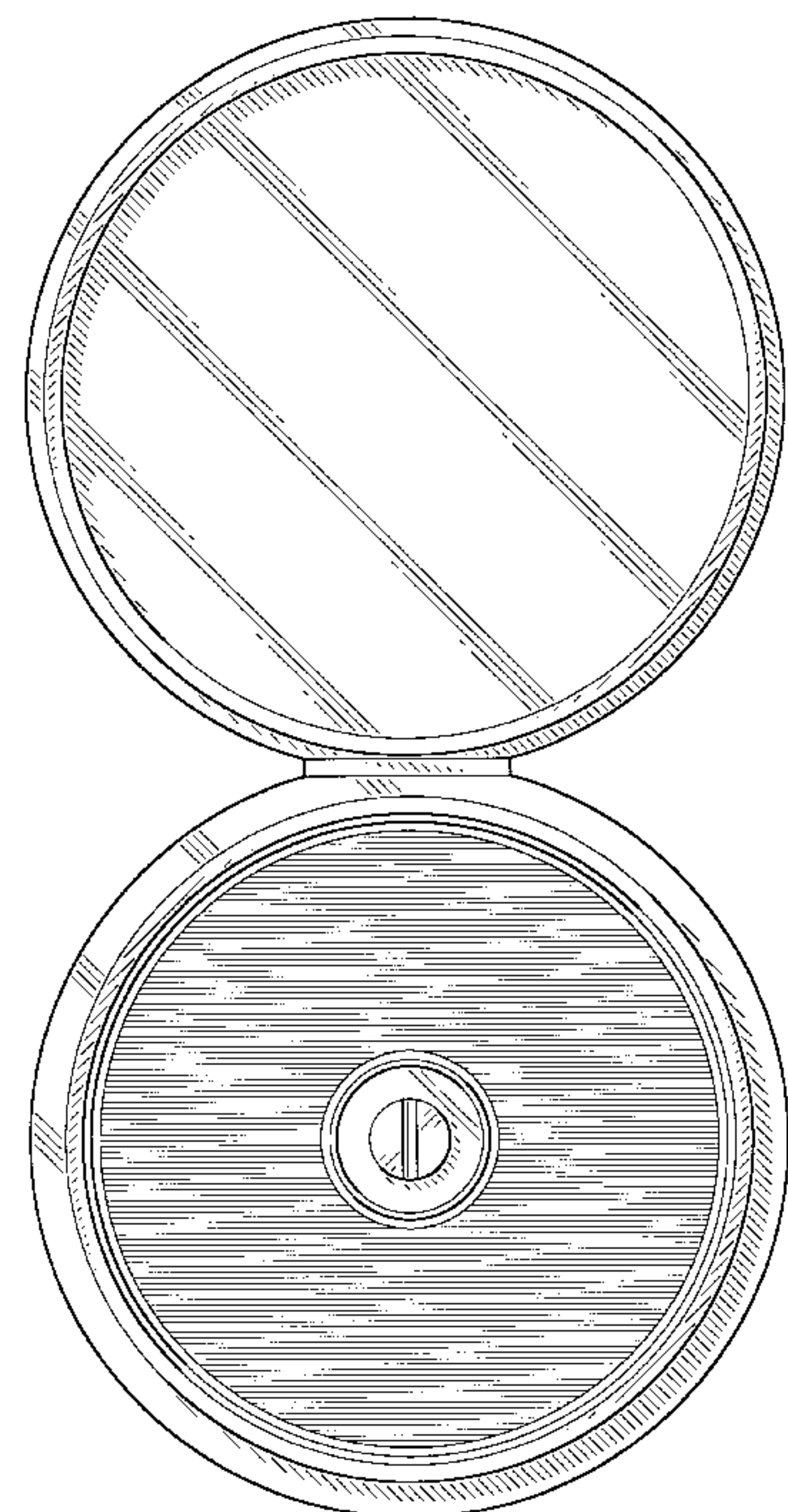
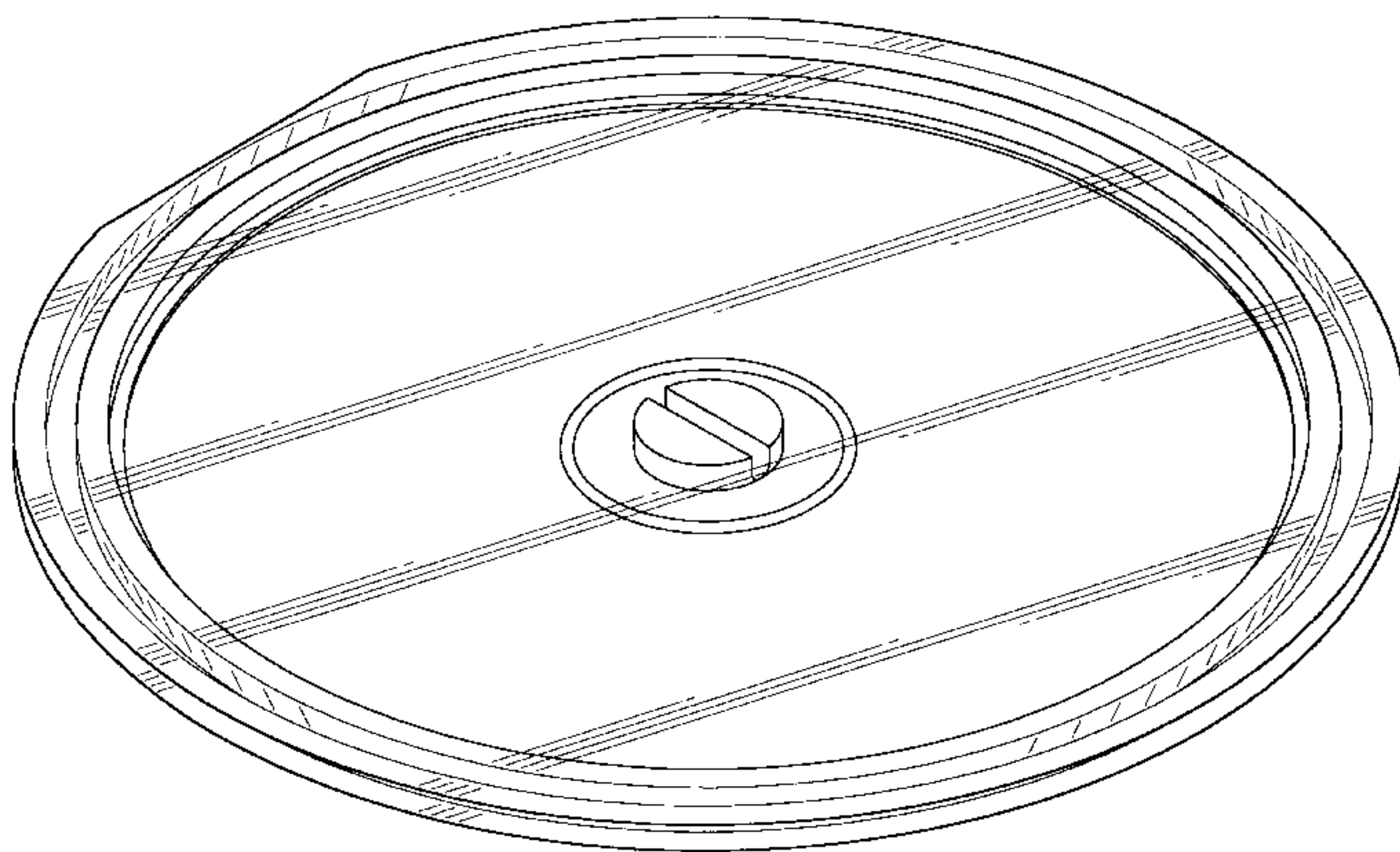
FIG. 13 is a left side elevational view of FIG. 10;

FIG. 14 is a rear elevational view of FIG. 10;

FIG. 15 is a bottom plan view of FIG. 10; and,

FIG. 16 is a top plan view of the second embodiment of the invention in an open condition.

**1 Claim, 8 Drawing Sheets**



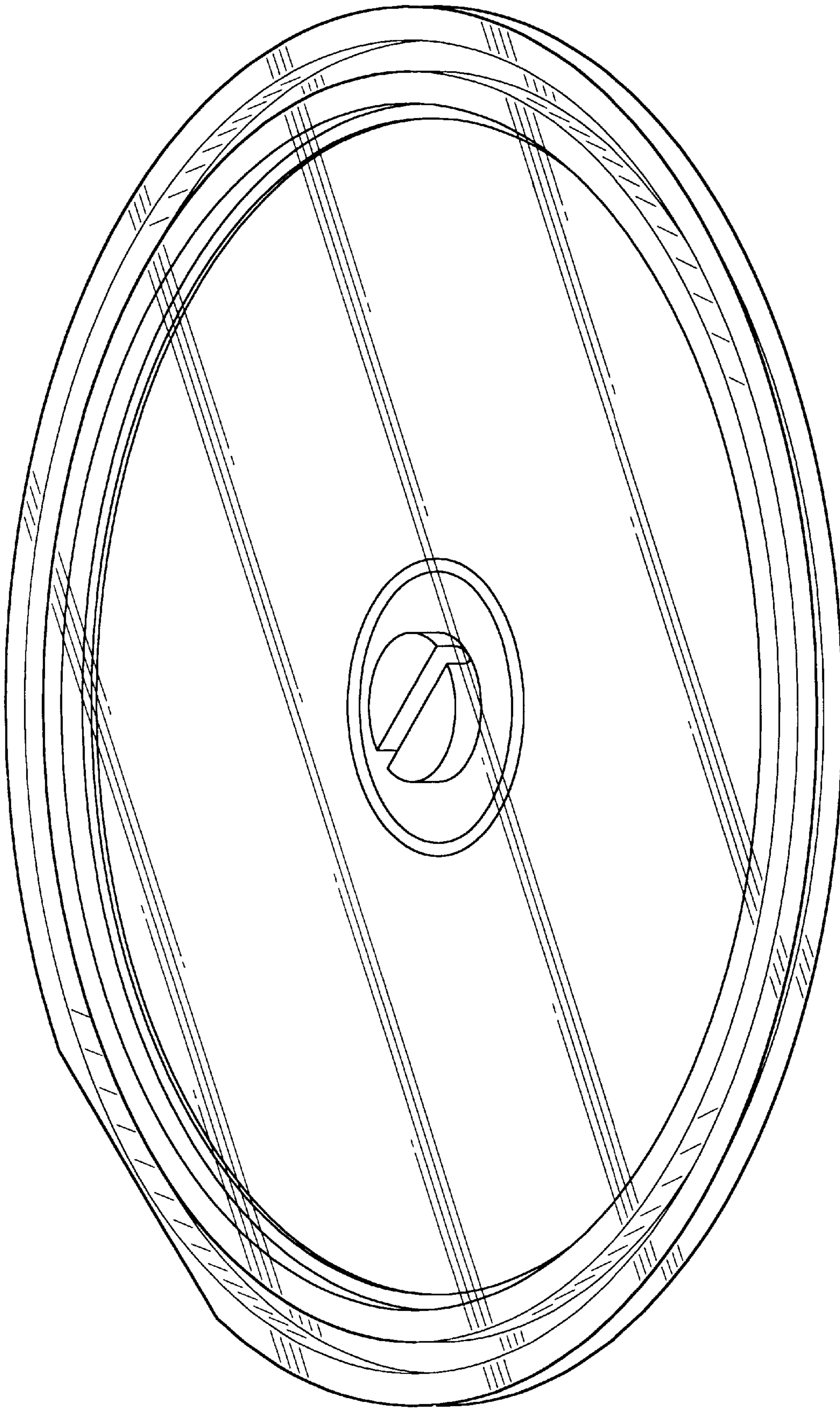


FIG-1



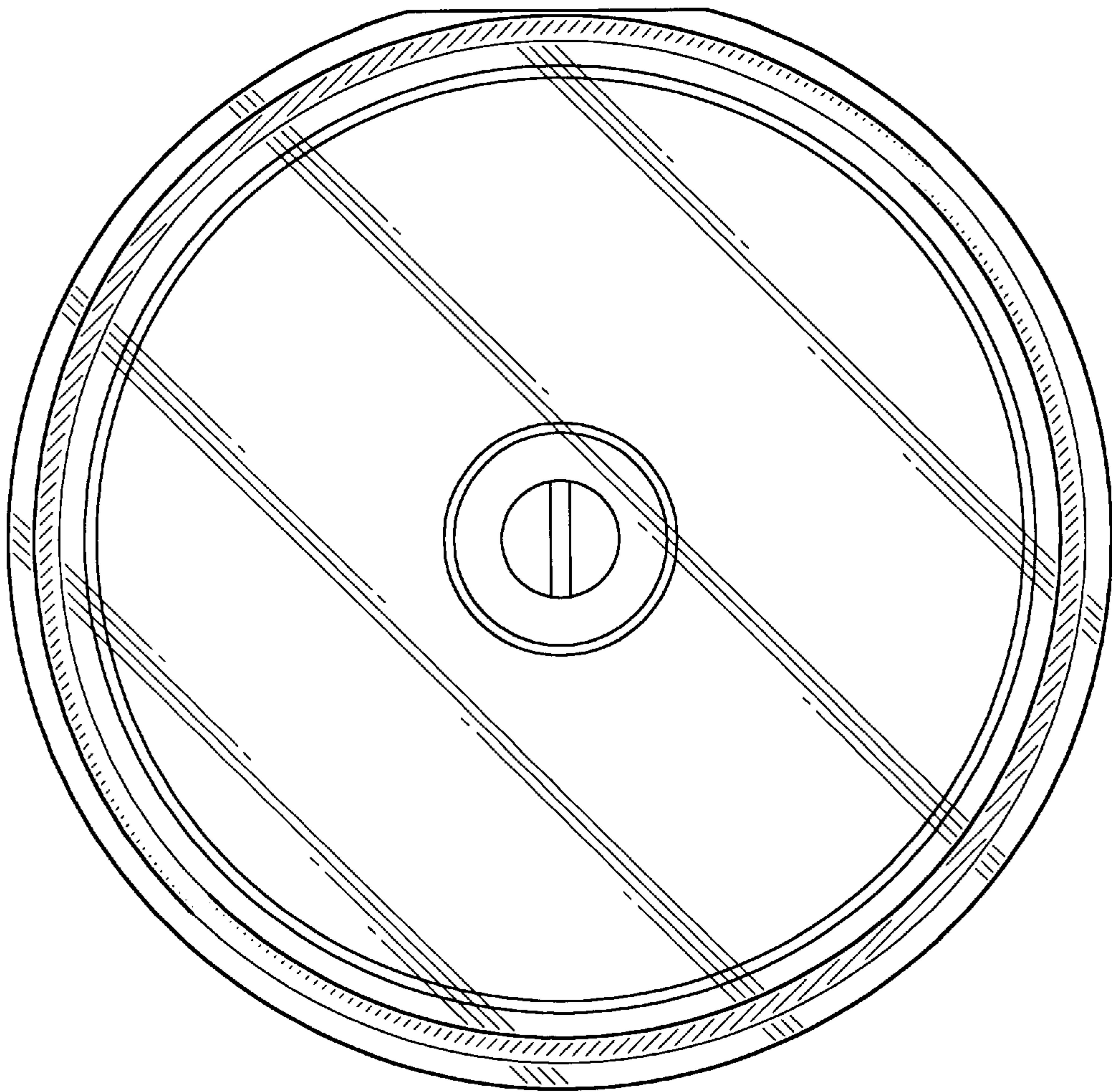


FIG-2

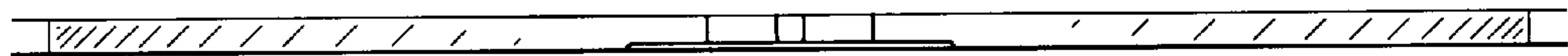


FIG-3

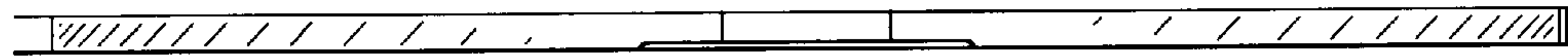


FIG-4

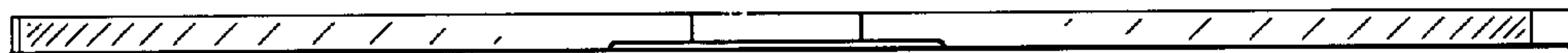


FIG-5



FIG-6

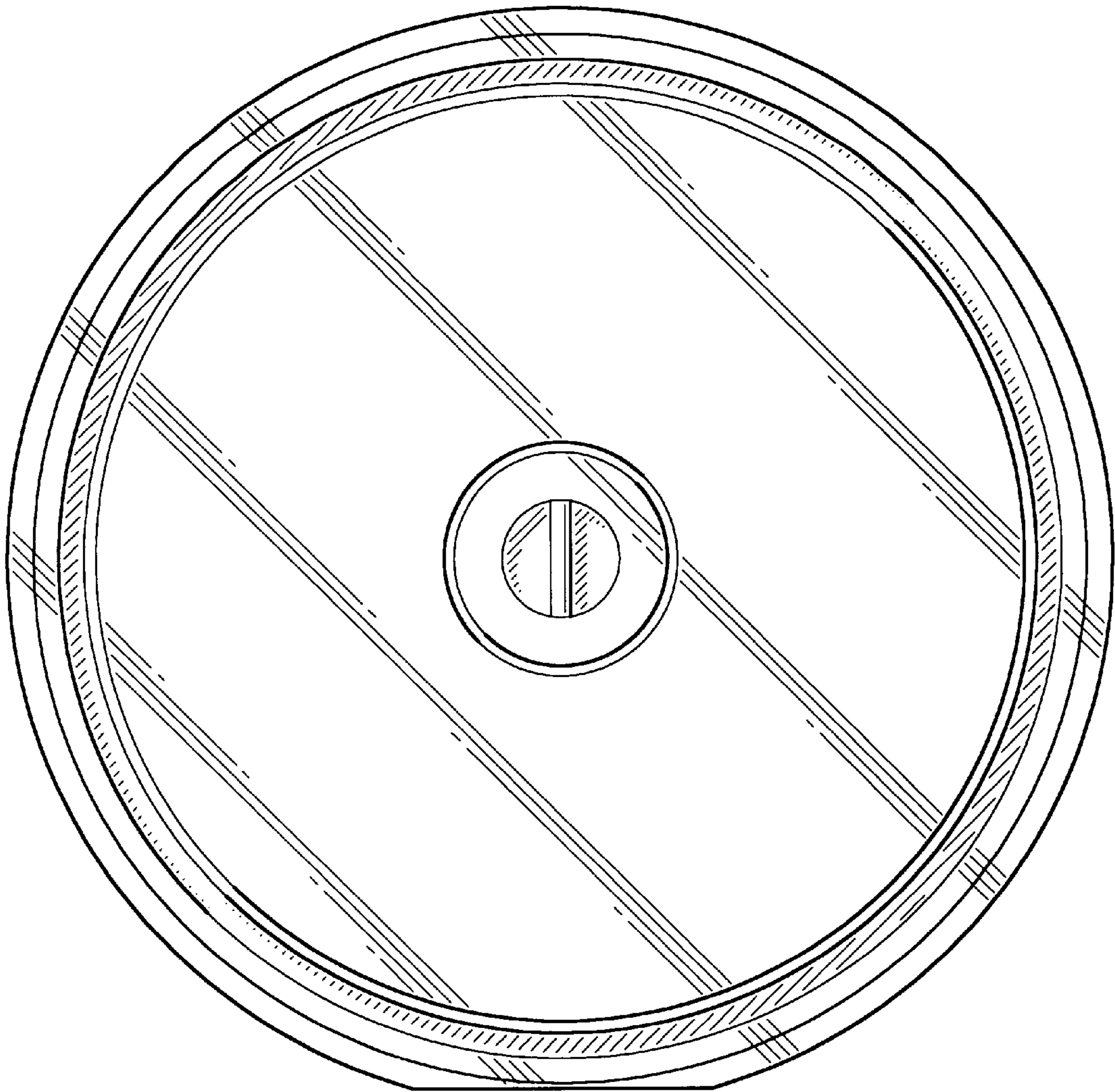


FIG-7

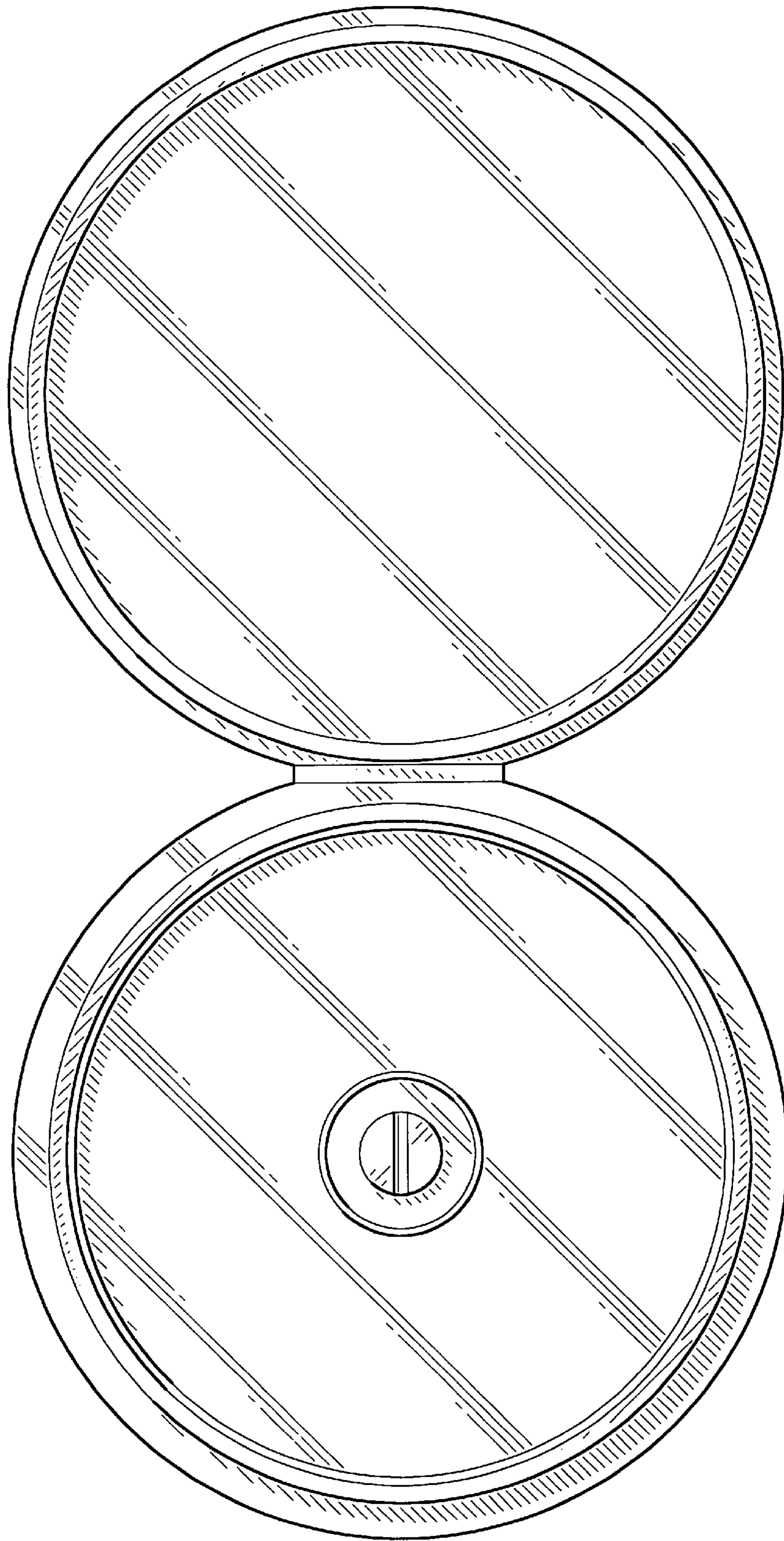


FIG-8



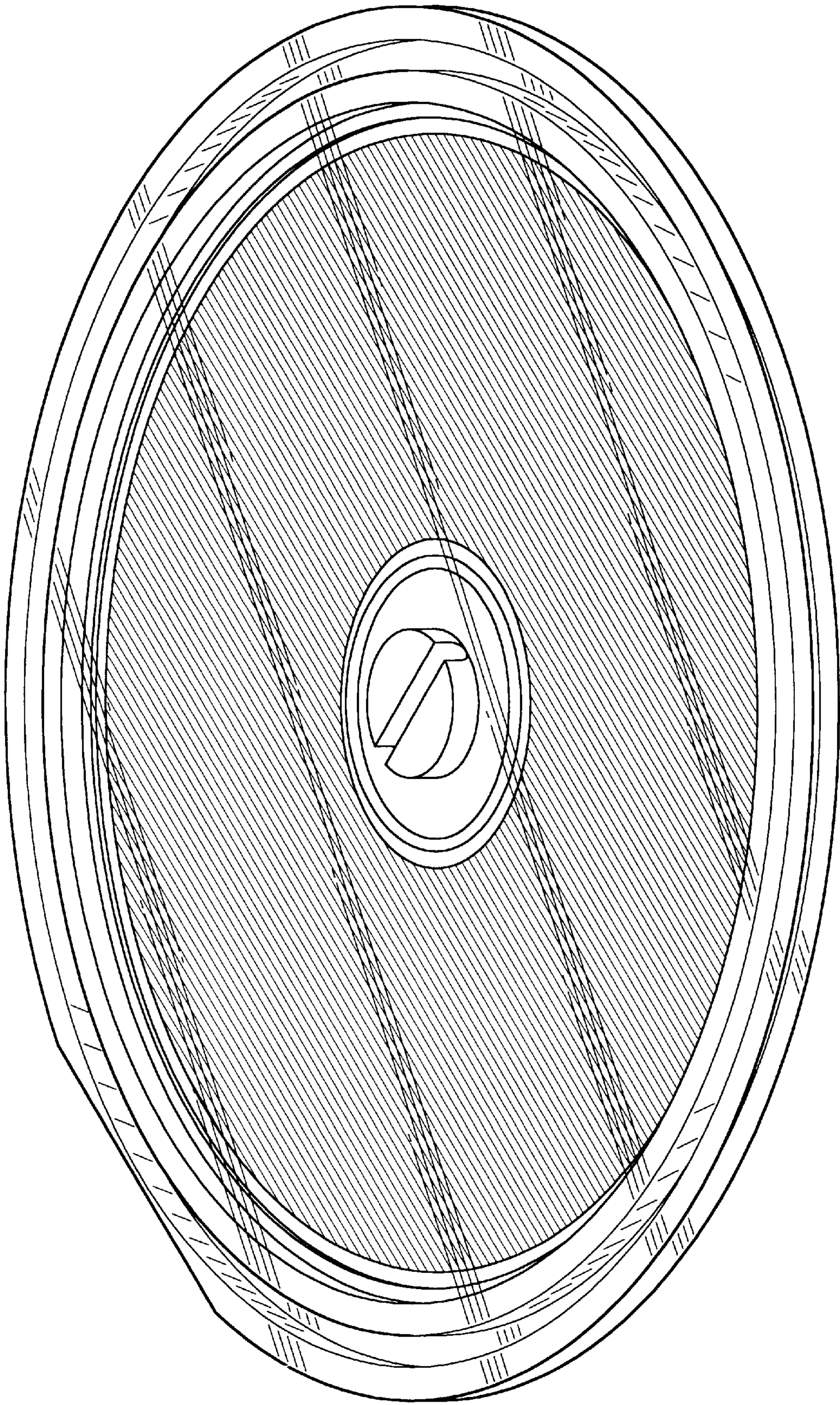


FIG-9



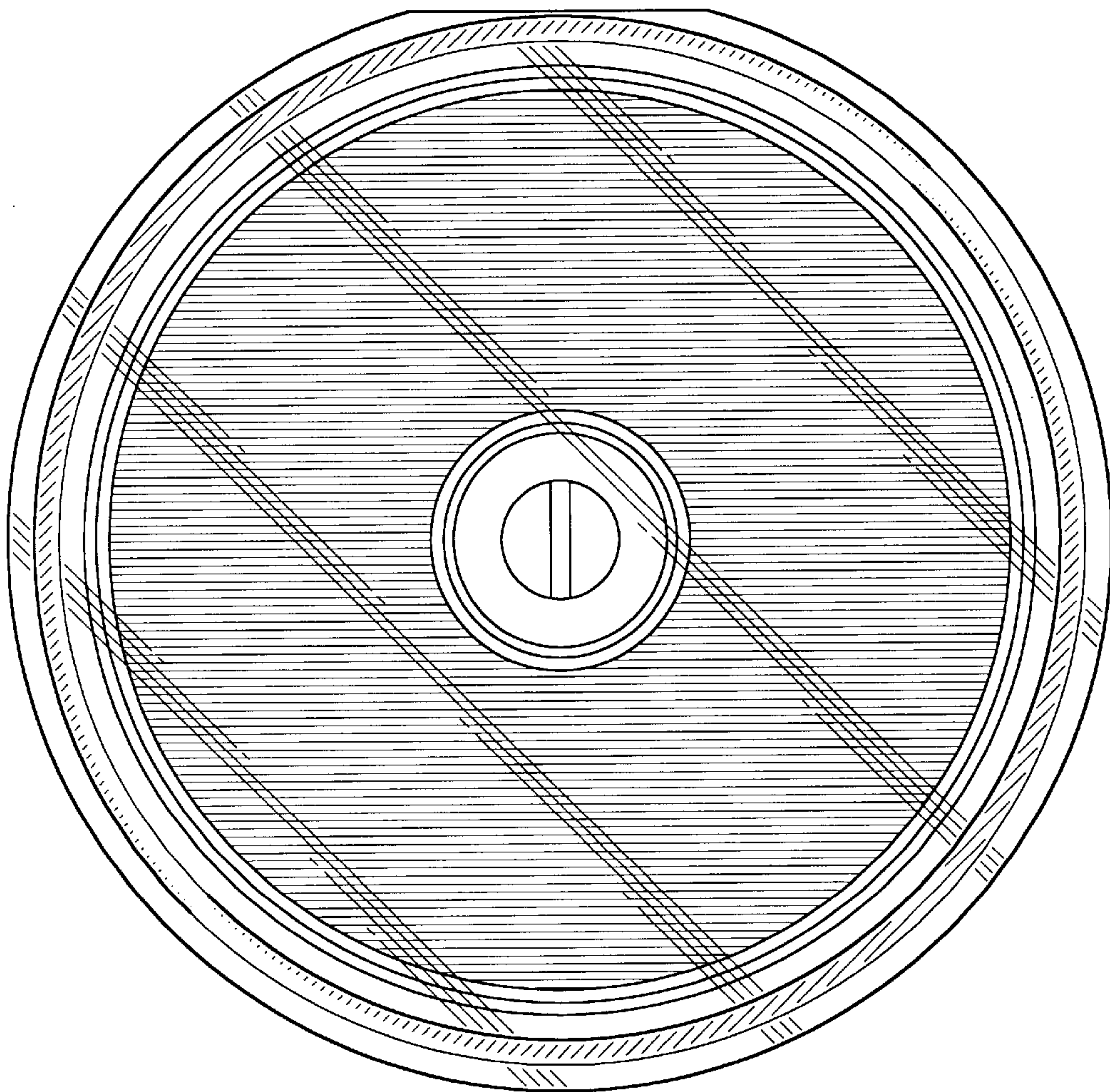


FIG-10

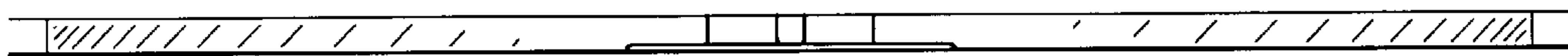


FIG-11

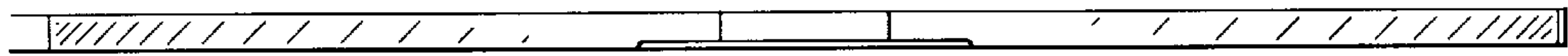


FIG-12

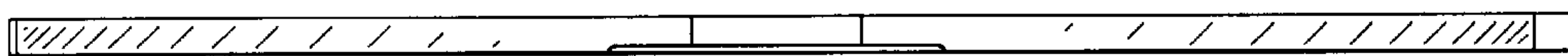
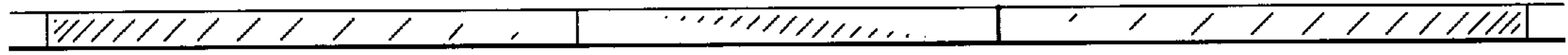
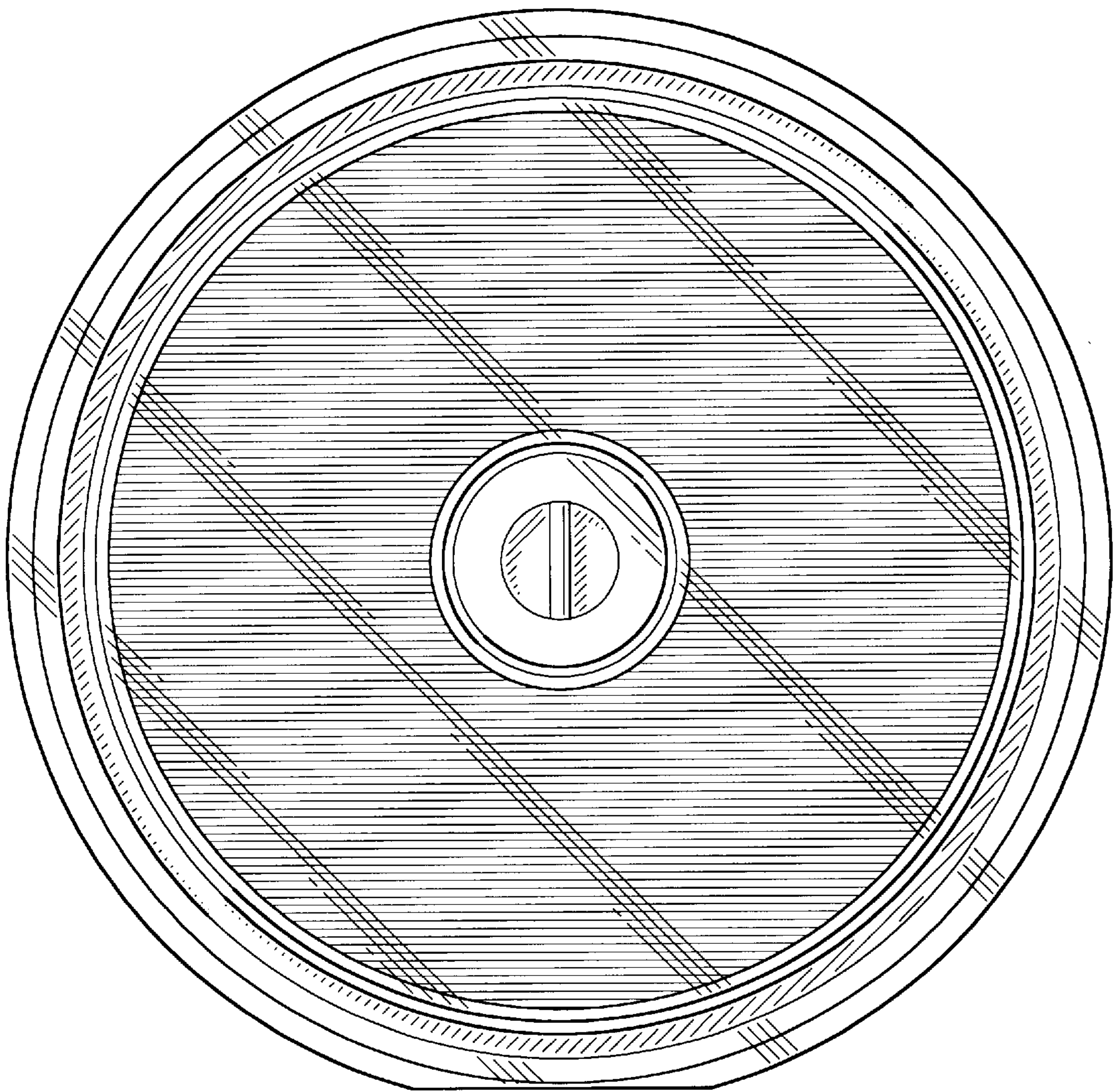


FIG-13



**FIG-14**



**FIG-15**



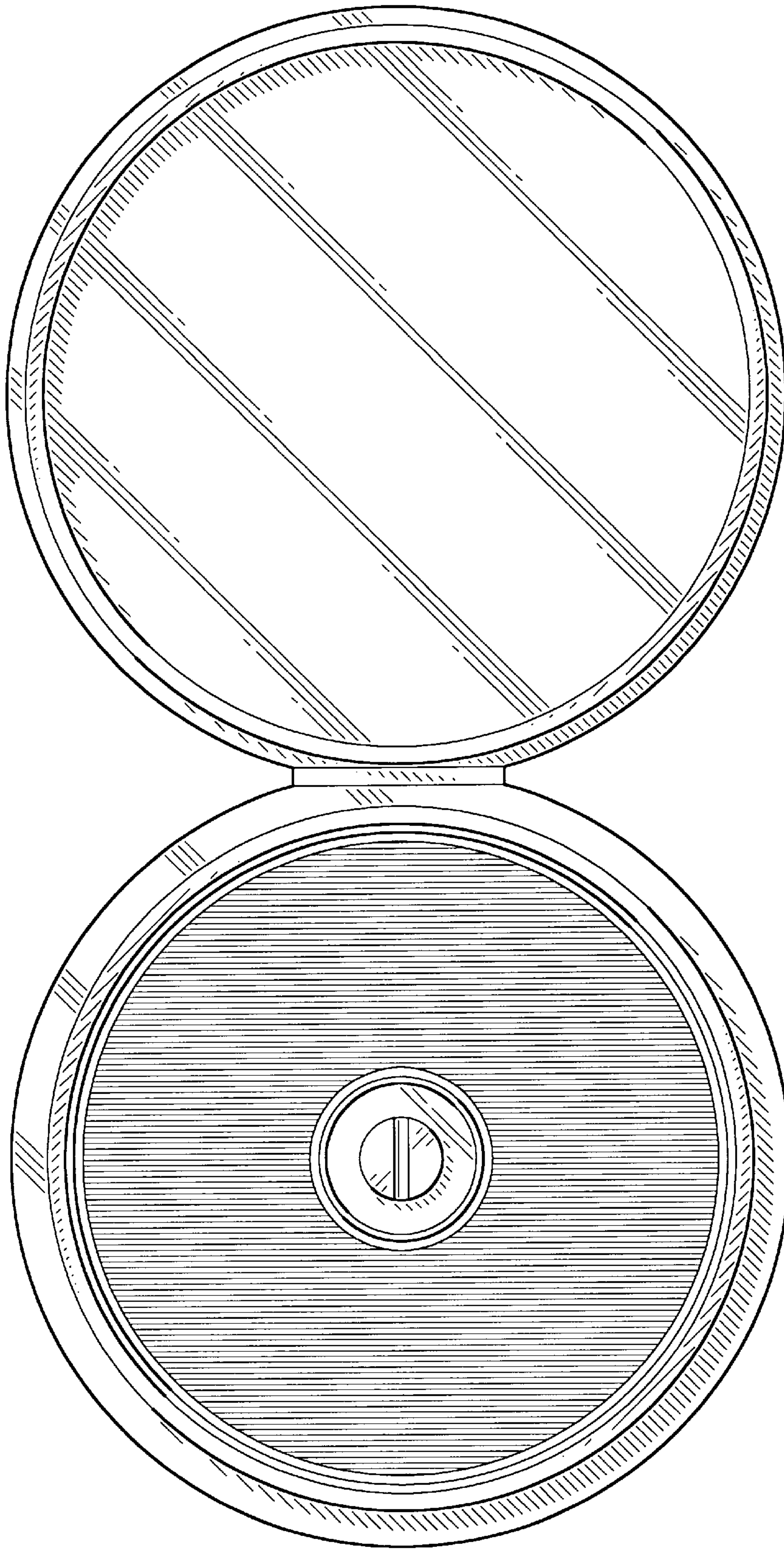


FIG-16