



US00D439781S

(12) **United States Design Patent**
Spore

(10) **Patent No.:** **US D439,781 S**

(45) **Date of Patent:** **** Apr. 3, 2001**

(54) **ELECTRIC TOOTHBRUSH BRUSH HOLDER**

3,371,260 2/1968 Jackson et al. .

4,362,174 12/1982 Baker et al. .

(76) Inventor: **Marcia Spore**, 267 Davis Ave., Kearny,
NJ (US) 07032

4,978,003 12/1990 Foster .

5,184,959 2/1993 Oryhon et al. .

(**) Term: **14 Years**

* cited by examiner

(21) Appl. No.: **29/117,743**

Primary Examiner—Brian N. Vinson

(22) Filed: **Jan. 31, 2000**

(57) **CLAIM**

(51) **LOC (7) Cl.** **23-02**

The ornamental design for an electric toothbrush brush holder, as shown and described.

(52) **U.S. Cl.** **D6/534**

DESCRIPTION

(58) **Field of Search** D6/534-540, 528-529,
D6/531, 524; 248/309.1; 206/77.1; 211/13.1,
86.01, 88.01, 126.1, 134

FIG. 1 is a top, front, and right side perspective view of an electric toothbrush holder showing my new design, the broken-line disclosure of an electric toothbrush is for illustrative purposes only and forms no part of the claimed design;

(56) **References Cited**

U.S. PATENT DOCUMENTS

D. 111,410	*	9/1938	Stanton	D6/534
D. 336,398		6/1993	Shafer	.	
D. 356,227	*	3/1995	Hay	D6/528
D. 389,686	*	1/1998	Drage	D6/528
2,117,459	*	5/1938	Stanton	D6/534 X
2,415,447		2/1947	Stanton	.	

FIG. 2 is a front elevational view thereof;

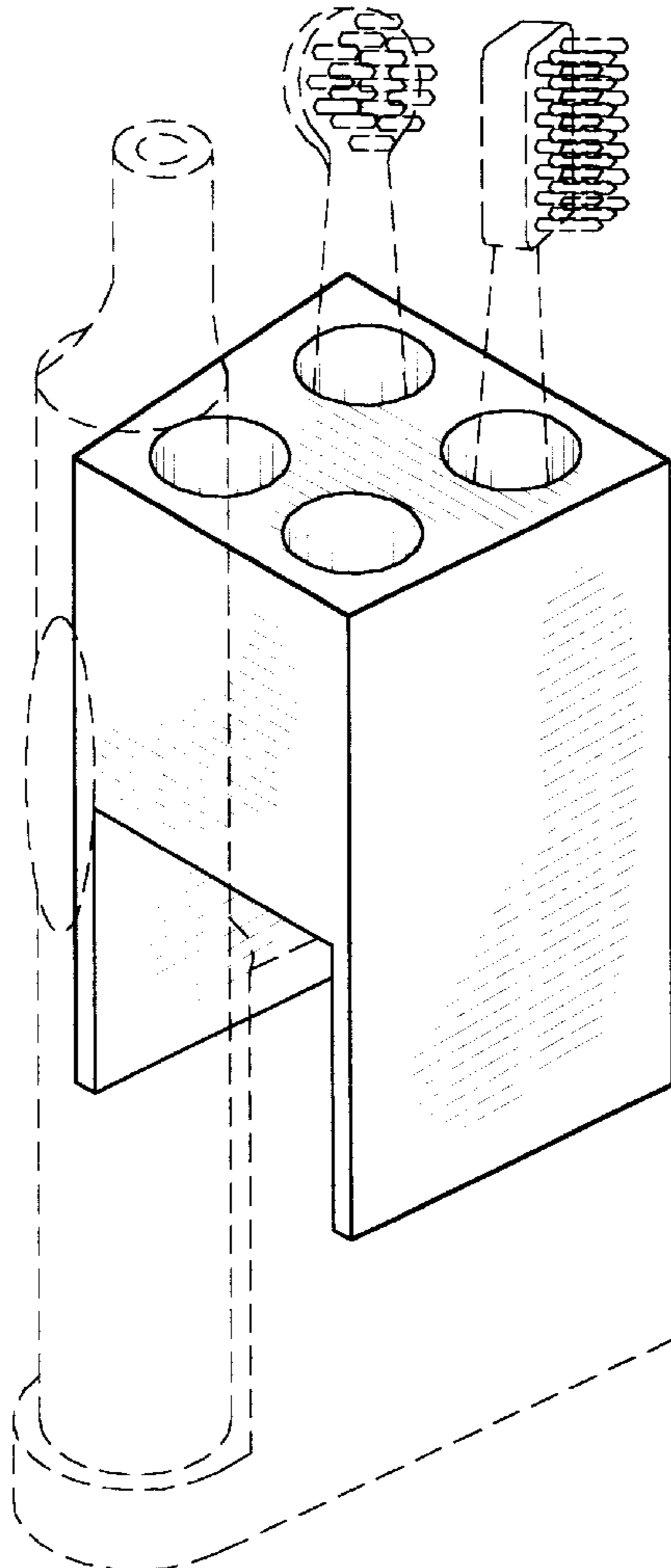
FIG. 3 is a rear elevational view thereof;

FIG. 4 is a left side elevational view thereof;

FIG. 5 is a top plan view thereof; and,

FIG. 6 is a bottom plan view thereof.

1 Claim, 2 Drawing Sheets



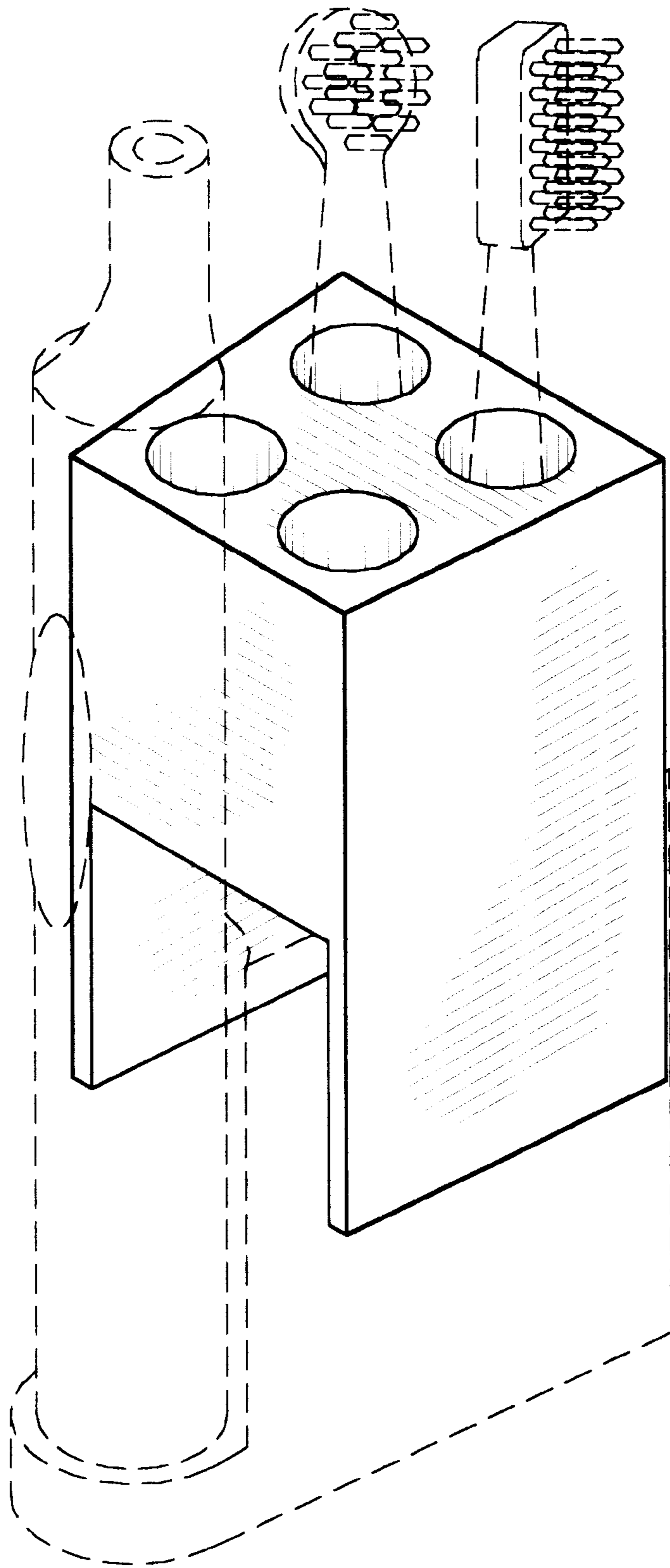


Fig. 1

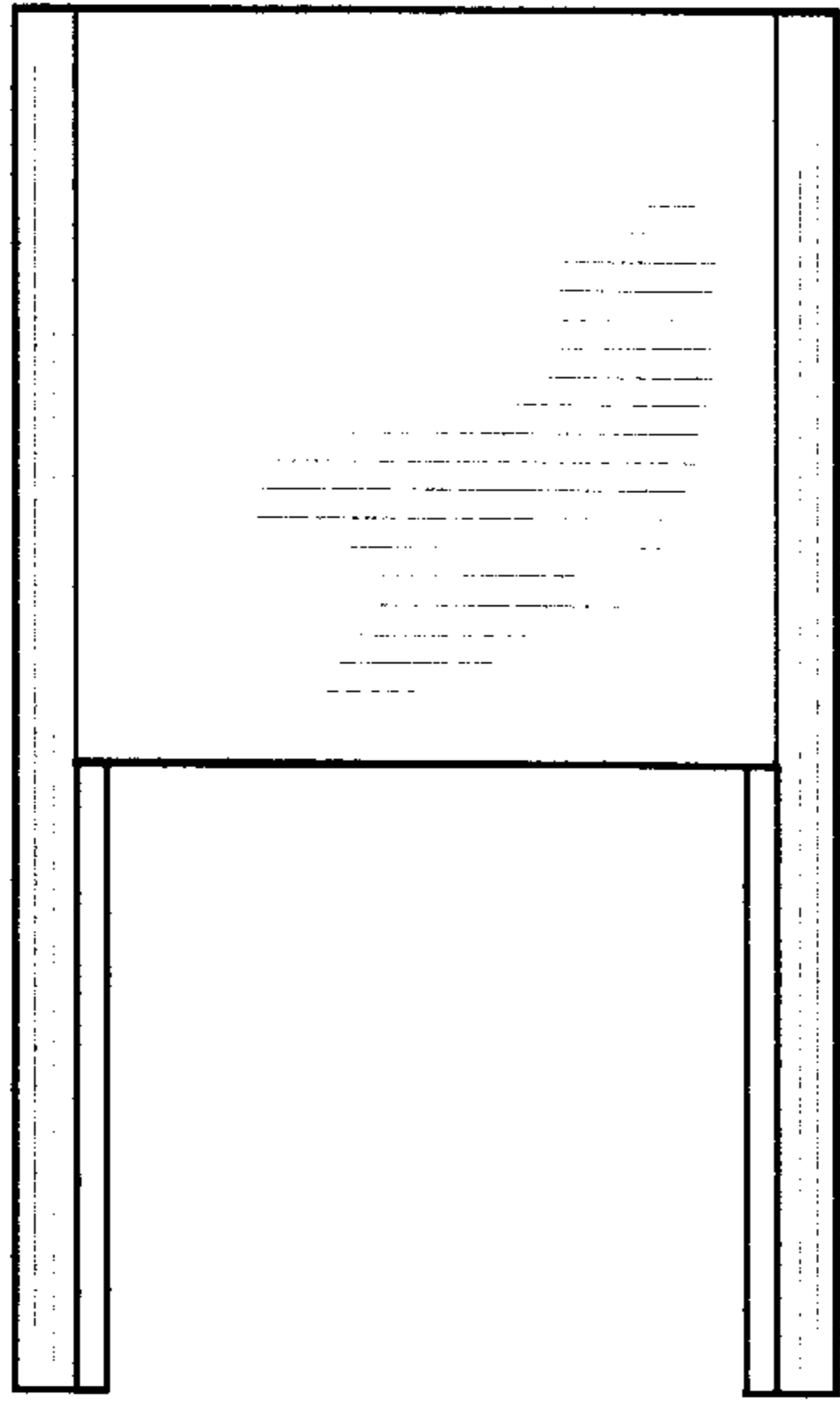


Fig. 2

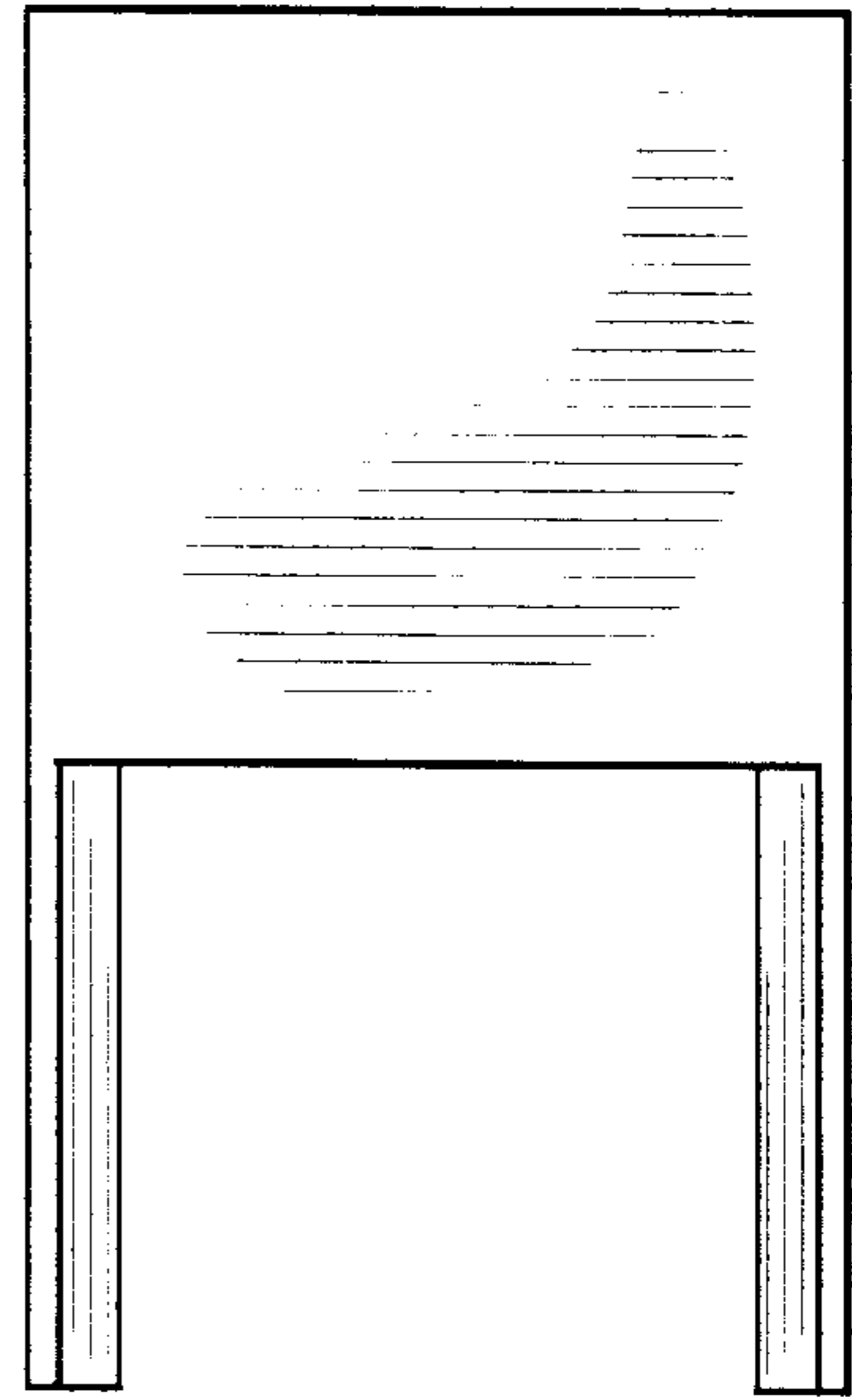


Fig. 3

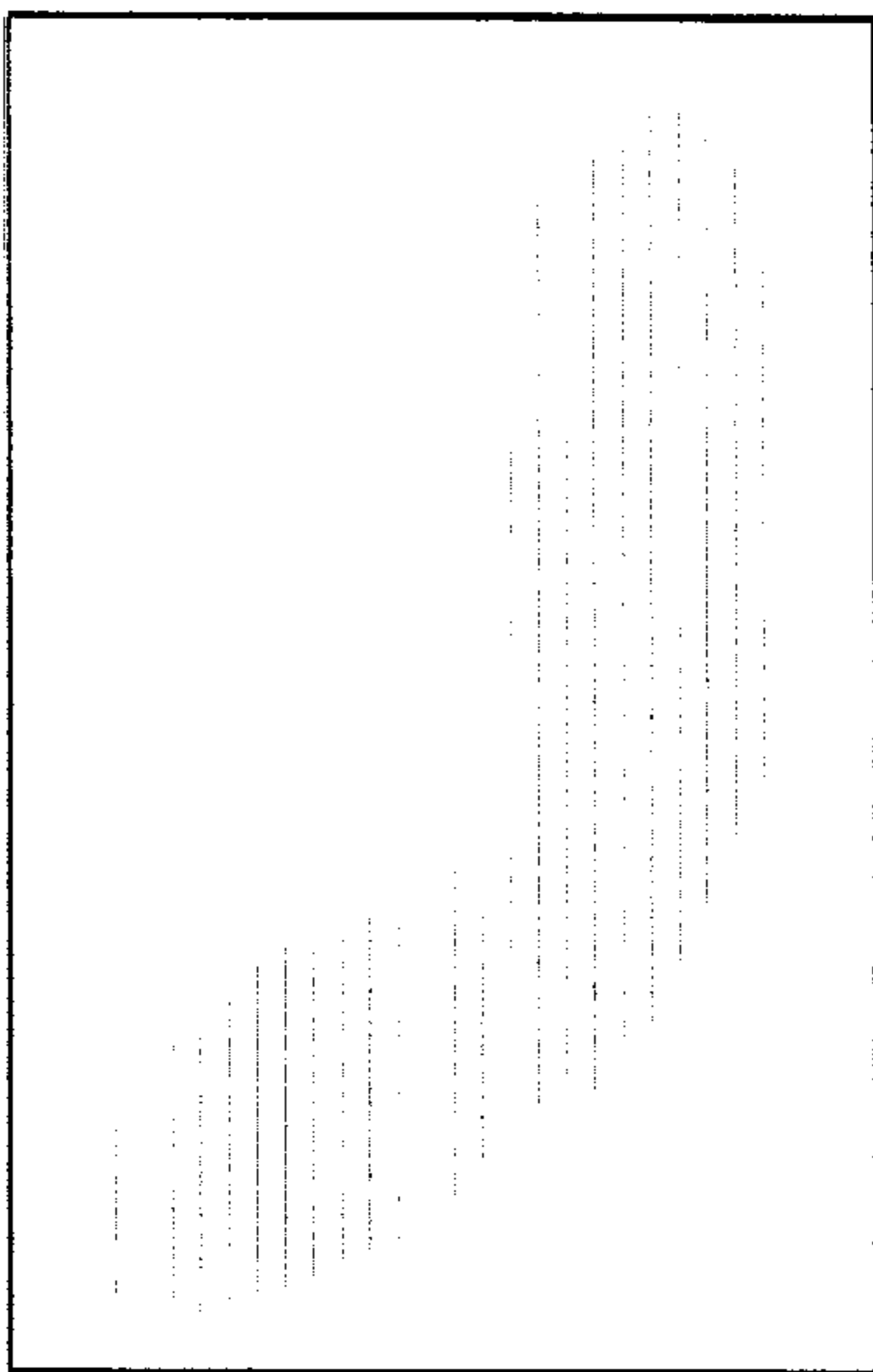


Fig. 4

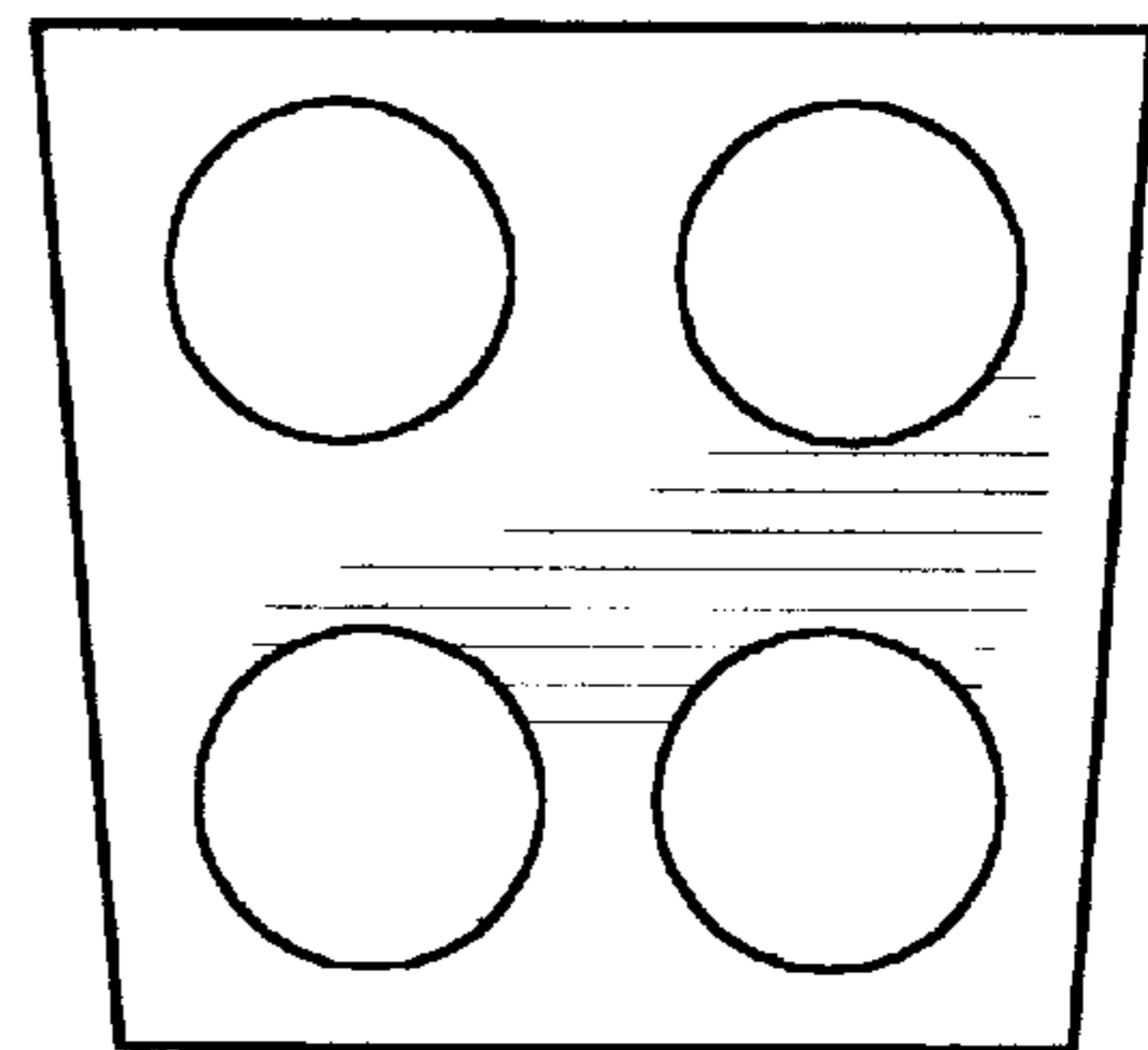


Fig. 5

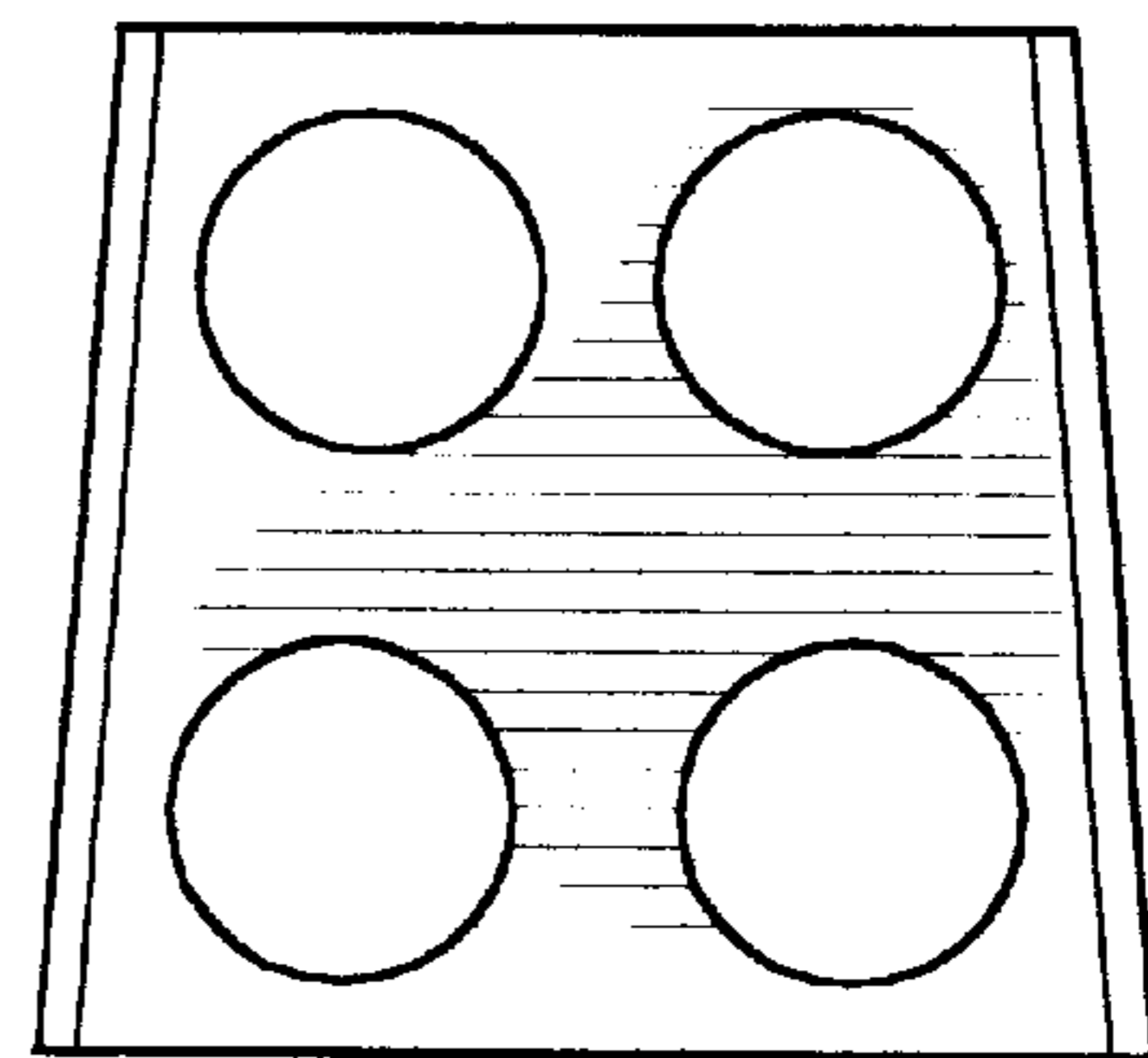


Fig. 6