



US00D439779S

(12) **United States Design Patent**  
**Wu**

(10) **Patent No.:** **US D439,779 S**

(45) **Date of Patent:** **\*\* Apr. 3, 2001**

(54) **TISSUE HOLDER**

4,836,462 \* 6/1989 Bruss ..... D6/523 X

(76) Inventor: **Pauli Wu**, 5F., No. 837, Pei An Rd.,  
Taipei (TW)

\* cited by examiner

(\*\*) Term: **14 Years**

*Primary Examiner*—Brian N. Vinson  
(74) *Attorney, Agent, or Firm*—Michael D. Bednarek;  
Shaw Pittman

(21) Appl. No.: **29/121,099**

(57) **CLAIM**

(22) Filed: **Apr. 3, 2000**

The ornamental design for a tissue holder, as shown and described.

(51) **LOC (7) Cl.** ..... **23-02**

(52) **U.S. Cl.** ..... **D6/523**

(58) **Field of Search** ..... D6/546–550, 522,  
D6/523; 242/590, 596, 597–598; 211/13.1,  
32, 35, 87.01, 88.04, 105.1, 105.2, 106,  
123, 181.1, 182; 248/49, 214, 251, 302

**DESCRIPTION**

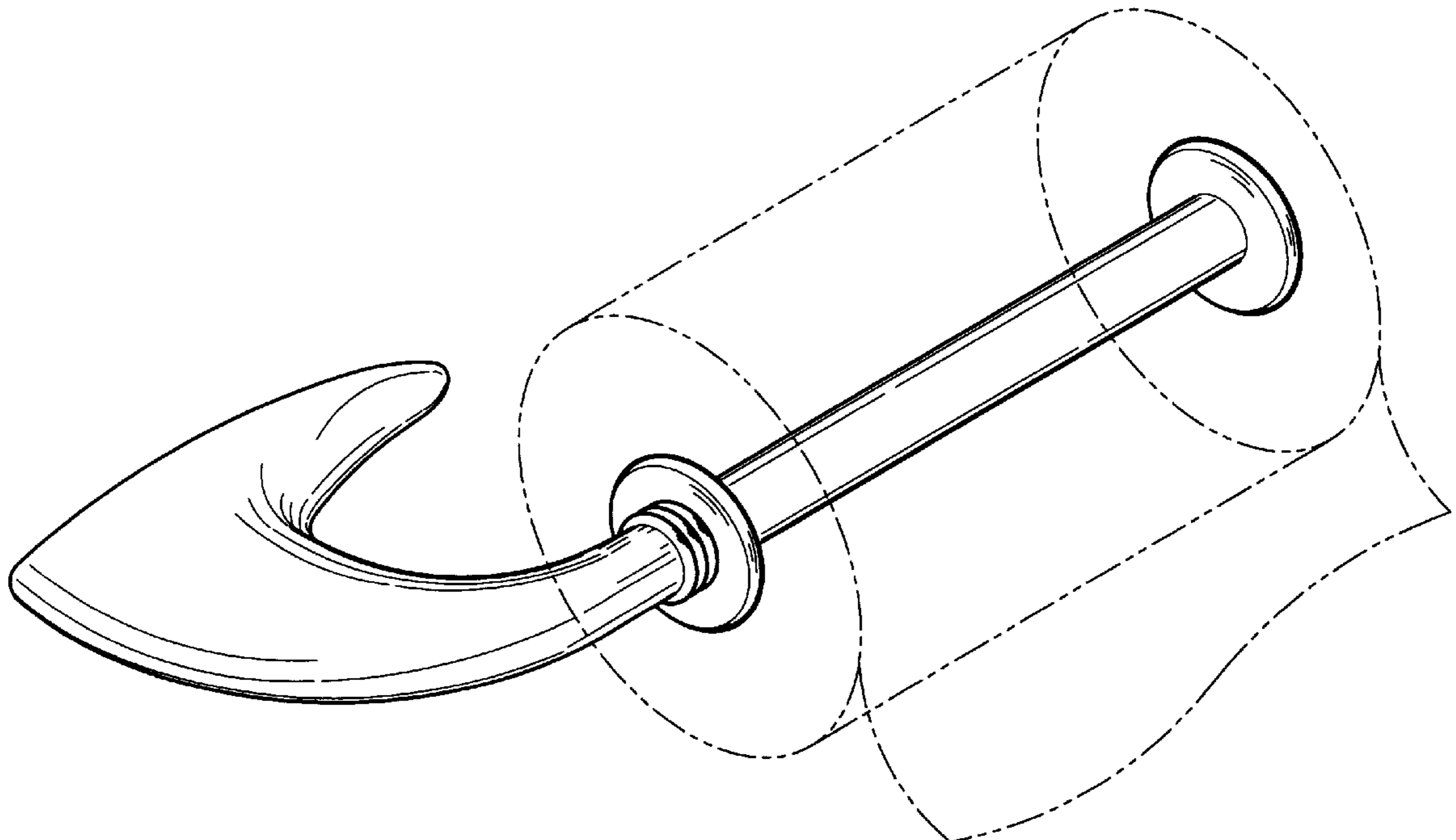
(56) **References Cited**

**U.S. PATENT DOCUMENTS**

- D. 304,402 \* 11/1989 Hoose ..... D6/523
- D. 383,343 \* 9/1997 Goodman ..... D6/522
- D. 383,630 \* 9/1997 Goodman ..... D6/523
- D. 409,423 \* 5/1999 Malik ..... D6/518
- 3,227,386 \* 1/1966 Pitcher ..... D6/550 X

FIG. 1 is a front elevation of a tissue holder;  
FIG. 2 is a rear elevation thereof;  
FIG. 3 is a left side elevation thereof;  
FIG. 4 is a right side elevation thereof;  
FIG. 5 is a top plan view thereof;  
FIG. 6 is a bottom plane view thereof;  
FIG. 7 is a perspective view thereof; and,  
FIG. 8 is an additional perspective view thereof, the broken-  
line disclosure of rolled tissue being for illustrative purposes  
and forming no part of the claimed design.

**1 Claim, 5 Drawing Sheets**



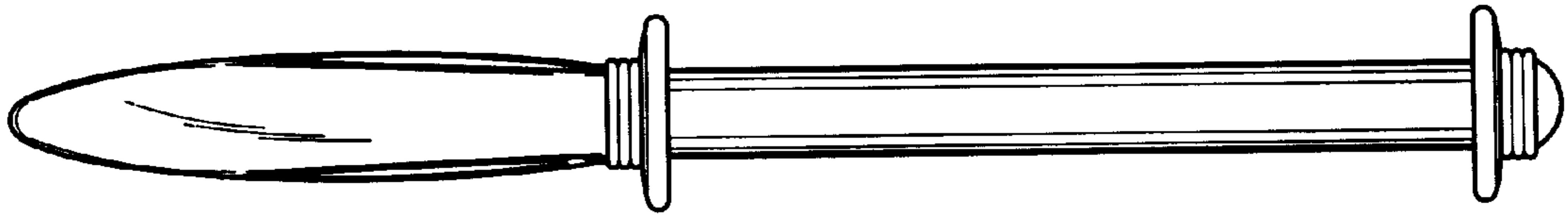


Fig. 1

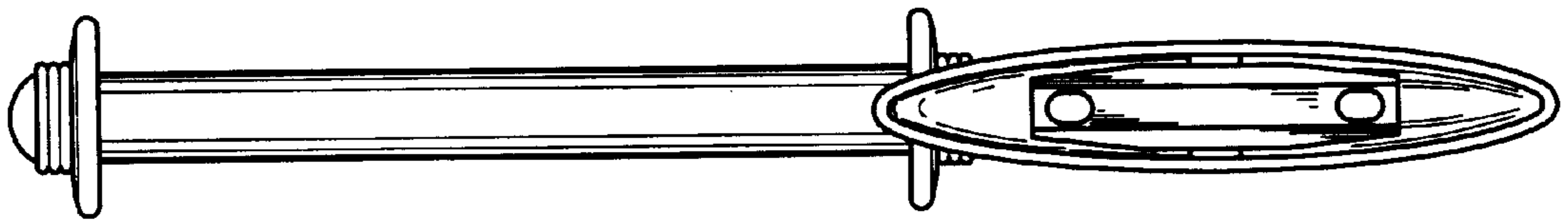


Fig. 2

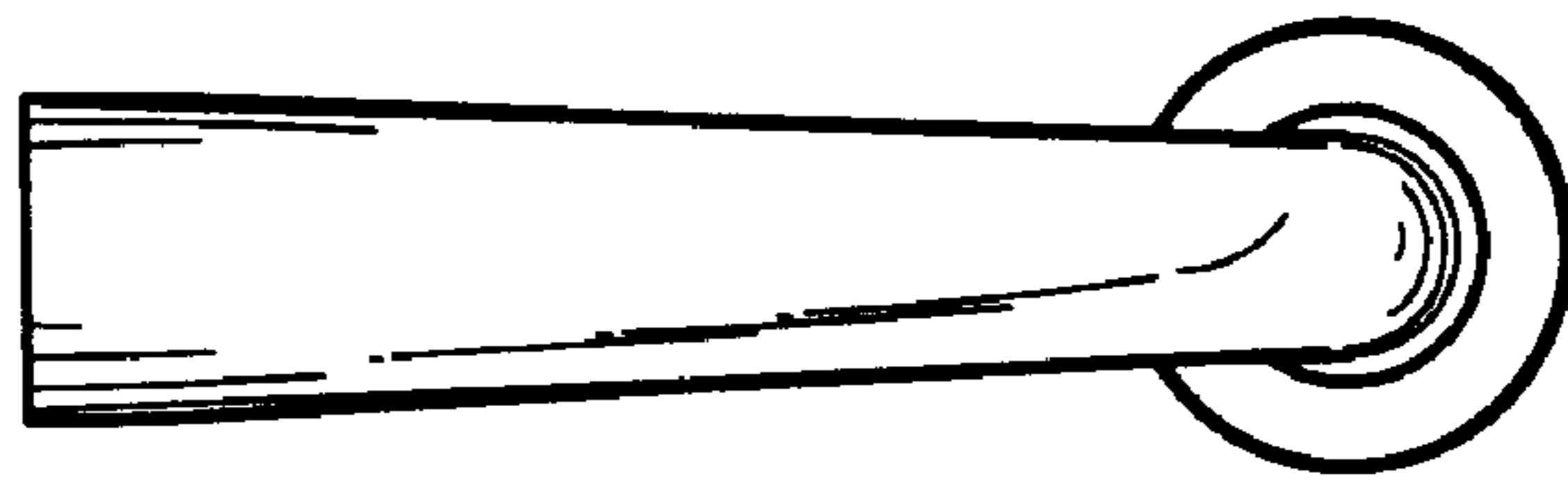


Fig. 3

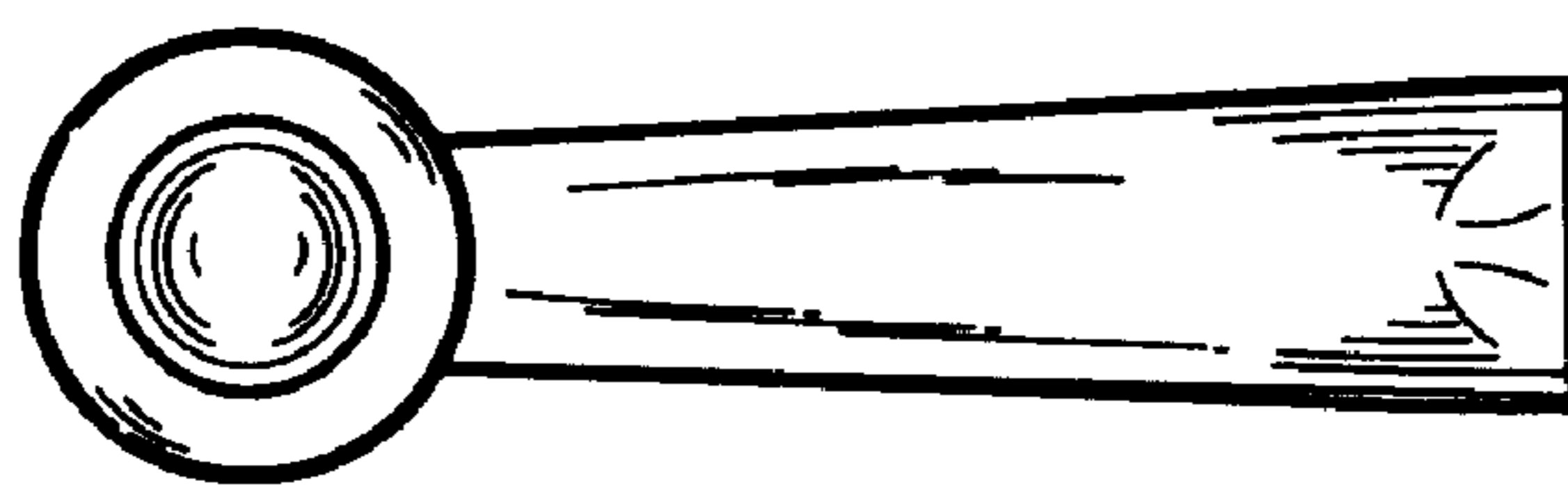


Fig. 4

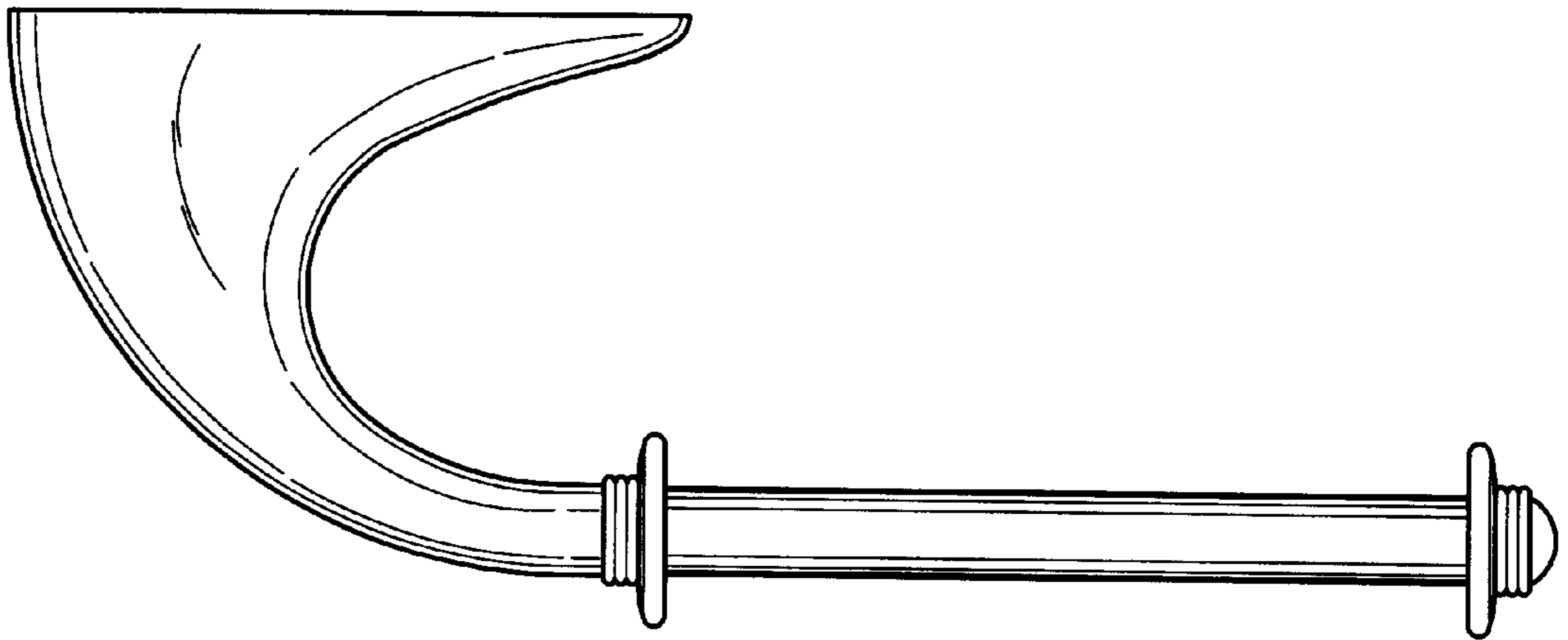


Fig. 5

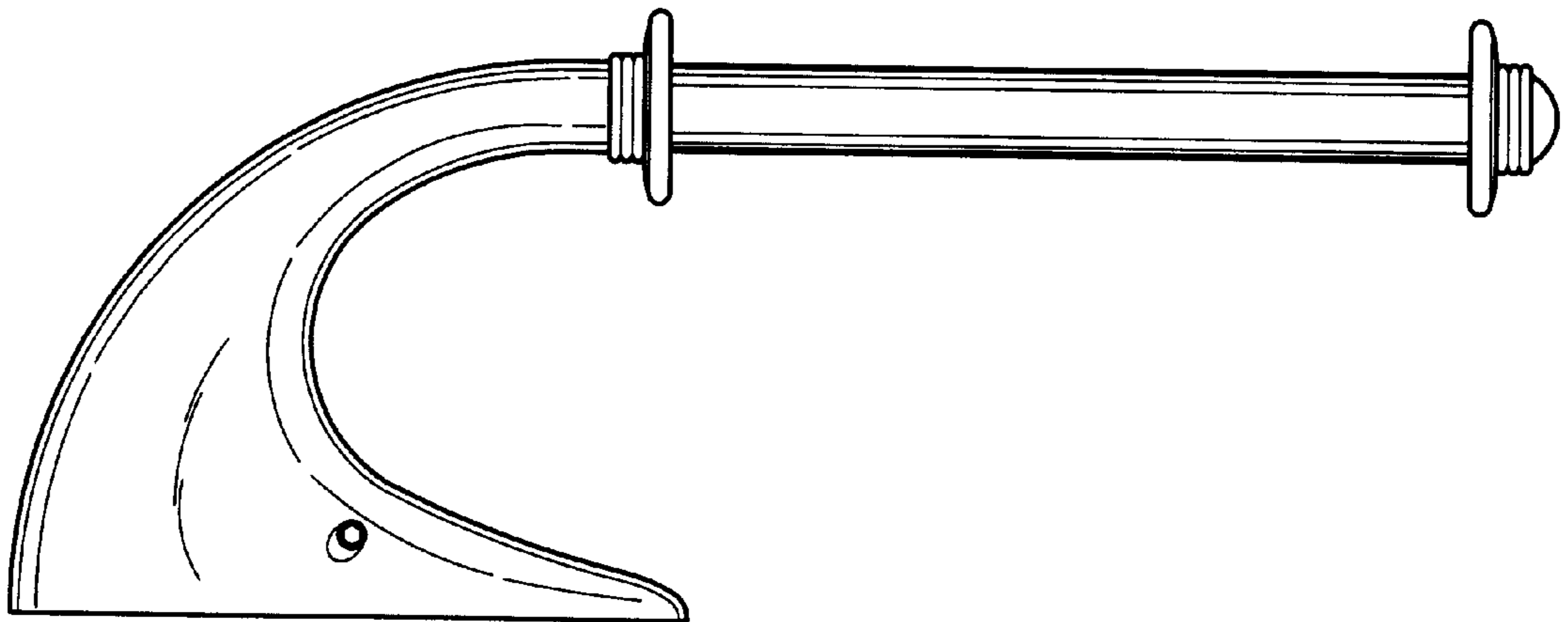


Fig. 6

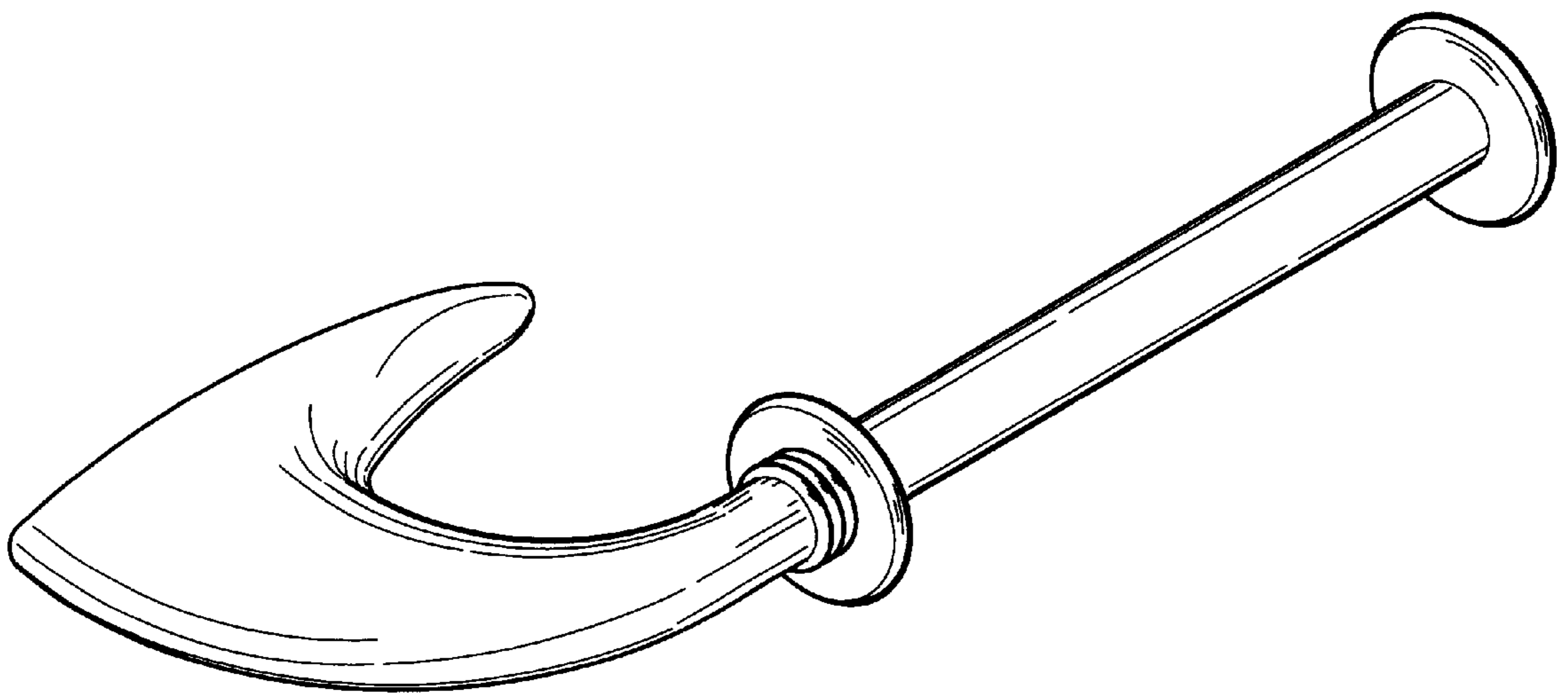


Fig. 7

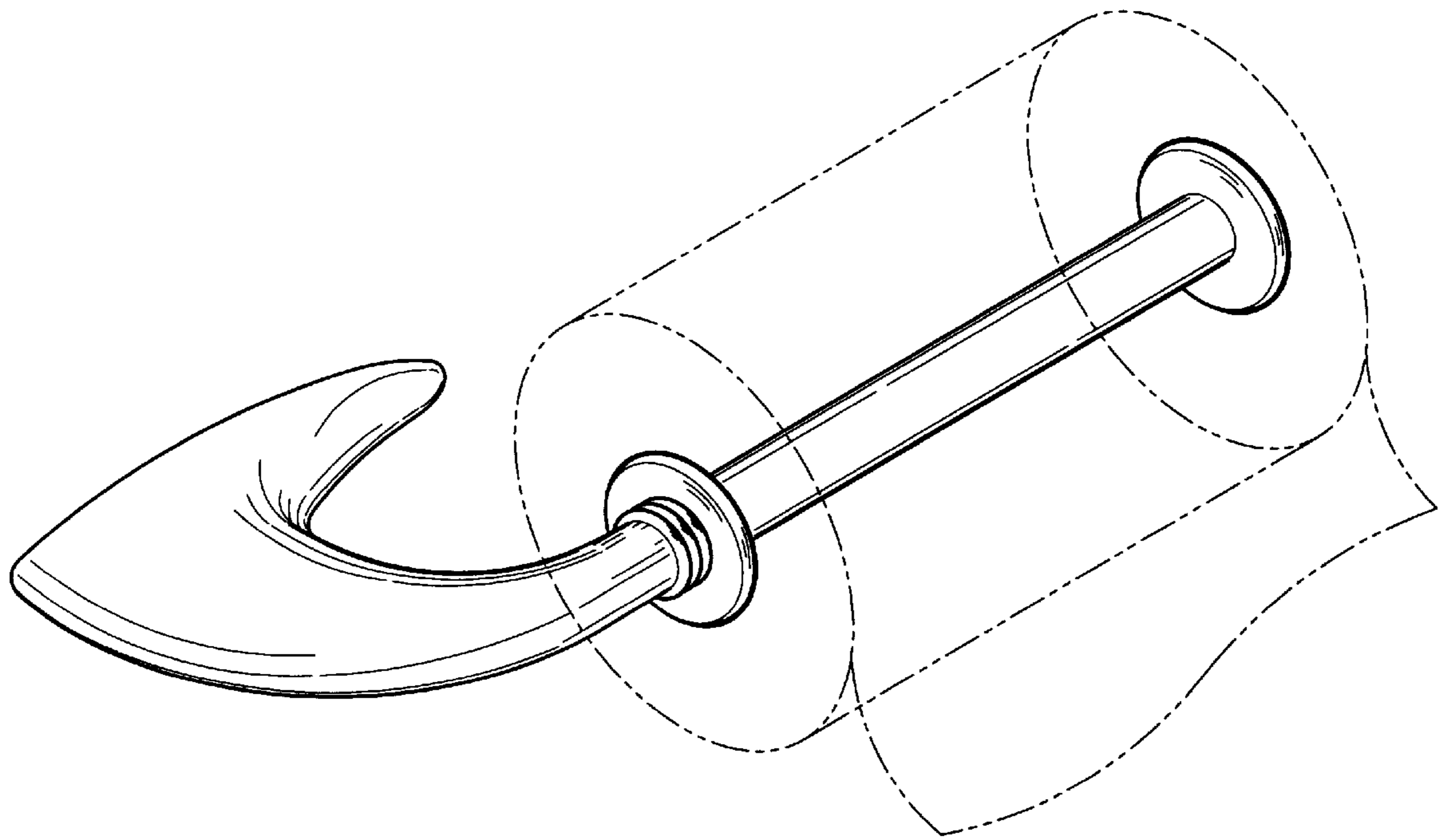


Fig. 8