



US00D439777S

(12) **United States Design Patent**
Laughton

(10) **Patent No.:** **US D439,777 S**

(45) **Date of Patent:** **** Apr. 3, 2001**

(54) **STACKABLE DRAWER**

(75) **Inventor:** **Scot Laughton, Toronto (CA)**

(73) **Assignee:** **Umbra U.S.A., Inc., Buffalo, NY (US)**

(**) **Term:** **14 Years**

(21) **Appl. No.:** **29/116,175**

(22) **Filed:** **Dec. 28, 1999**

(51) **LOC (7) Cl.** **06-06**

(52) **U.S. Cl.** **D6/510; D6/432; D6/441;**
D6/448

(58) **Field of Search** **D6/432, 441, 445,**
D6/446, 474, 475, 476, 509, 510; 206/503-512;
312/198-201, 204

(56) **References Cited**

U.S. PATENT DOCUMENTS

D. 243,900	*	4/1977	Boyd et al.	D6/446	X
D. 360,778	*	8/1995	Apt, III et al.	D6/448	
D. 372,378	*	8/1996	Kruger	D6/448	
D. 408,175	*	4/1999	Daniels et al.	D6/476	
3,053,397	*	9/1962	Bliss	206/511	X

* cited by examiner

Primary Examiner—Cathron Brooks

(74) *Attorney, Agent, or Firm*—Ostrolenk, Faber, Gerb & Soffen, LLP

(57) **CLAIM**

The ornamental design for a stackable drawer, as shown and described.

DESCRIPTION

FIG. 1 is a perspective view of the drawer, with one possible position of the legs shown in fantom, showing the new design;

FIG. 2 is a right side view, the left side view being a mirror image thereof;

FIG. 3 is a front view, the rear view being a mirror image thereof;

FIG. 4 is a bottom view;

FIG. 5 is a reduced perspective view of FIG. 1, with a broken line showing of an arrangement of multiple units of the drawer;

FIG. 6 is a reduced perspective view of FIG. 1, with a broken line showing of an additional arrangement of multiple units of the drawer; and,

FIG. 7 is a reduced perspective view of FIG. 1, with a broken line showing of an additional arrangement of multiple units of the drawer.

The broken lines shown in the drawings are for illustrative purposes only and form no part of the claimed design.

1 Claim, 4 Drawing Sheets

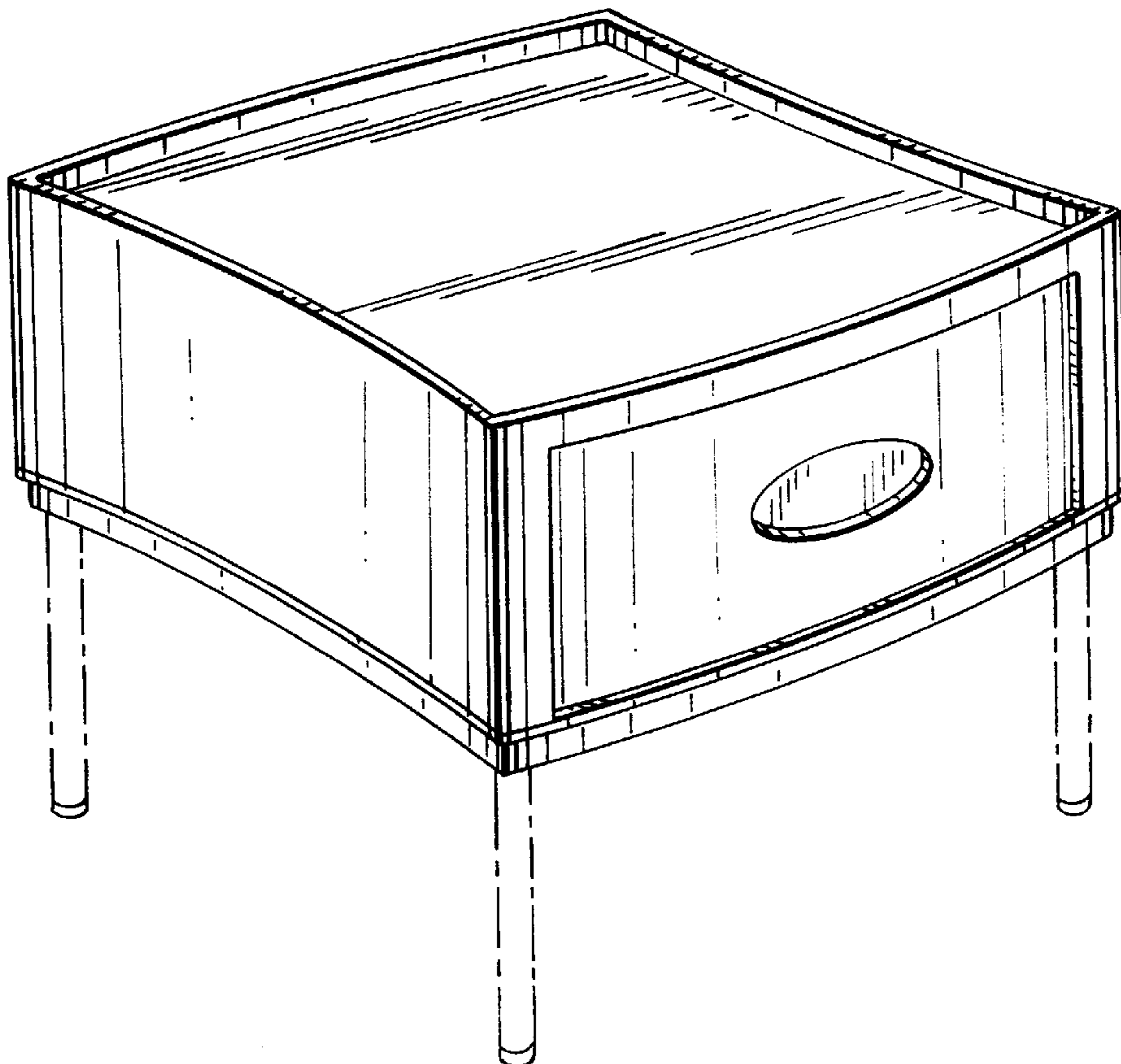


FIG. 1

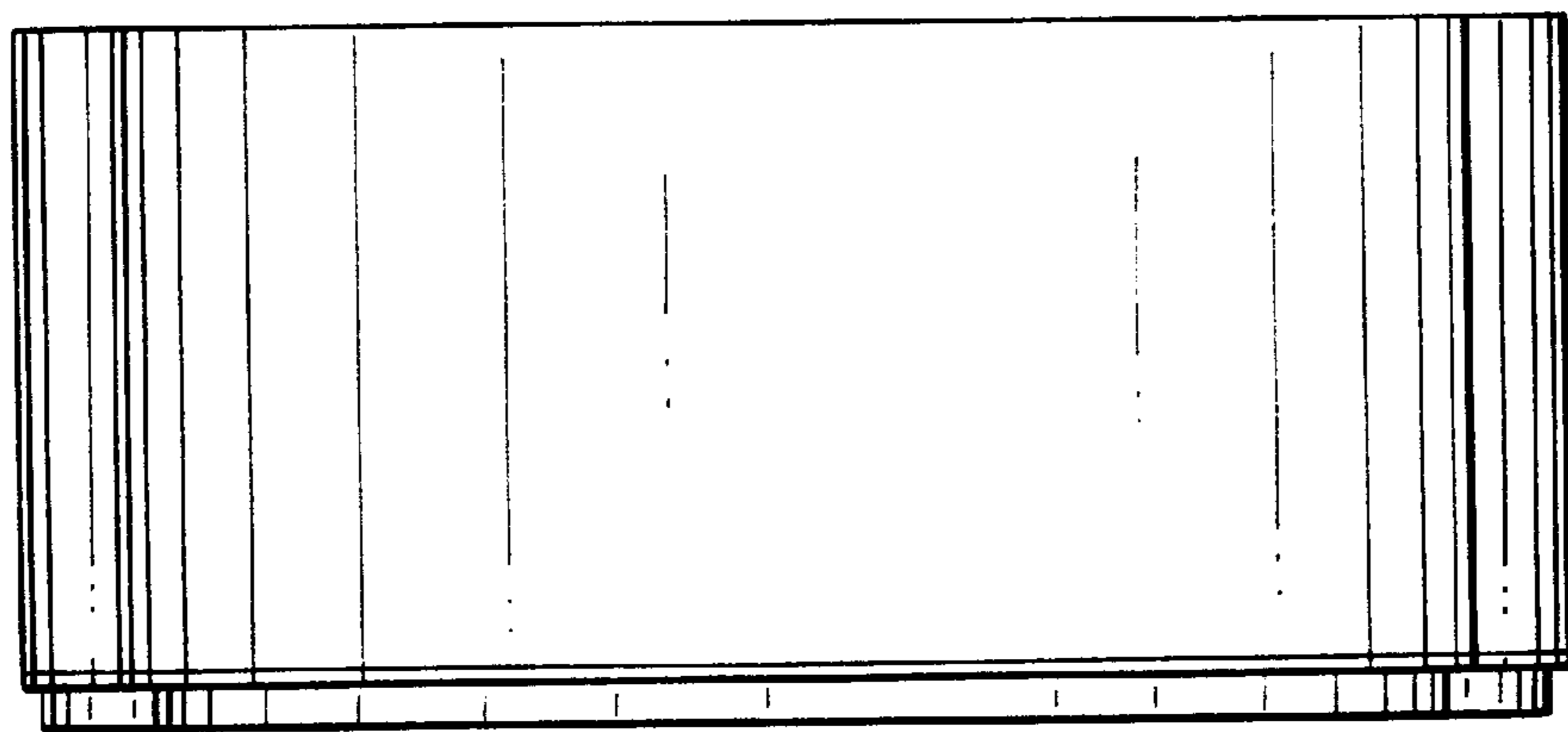
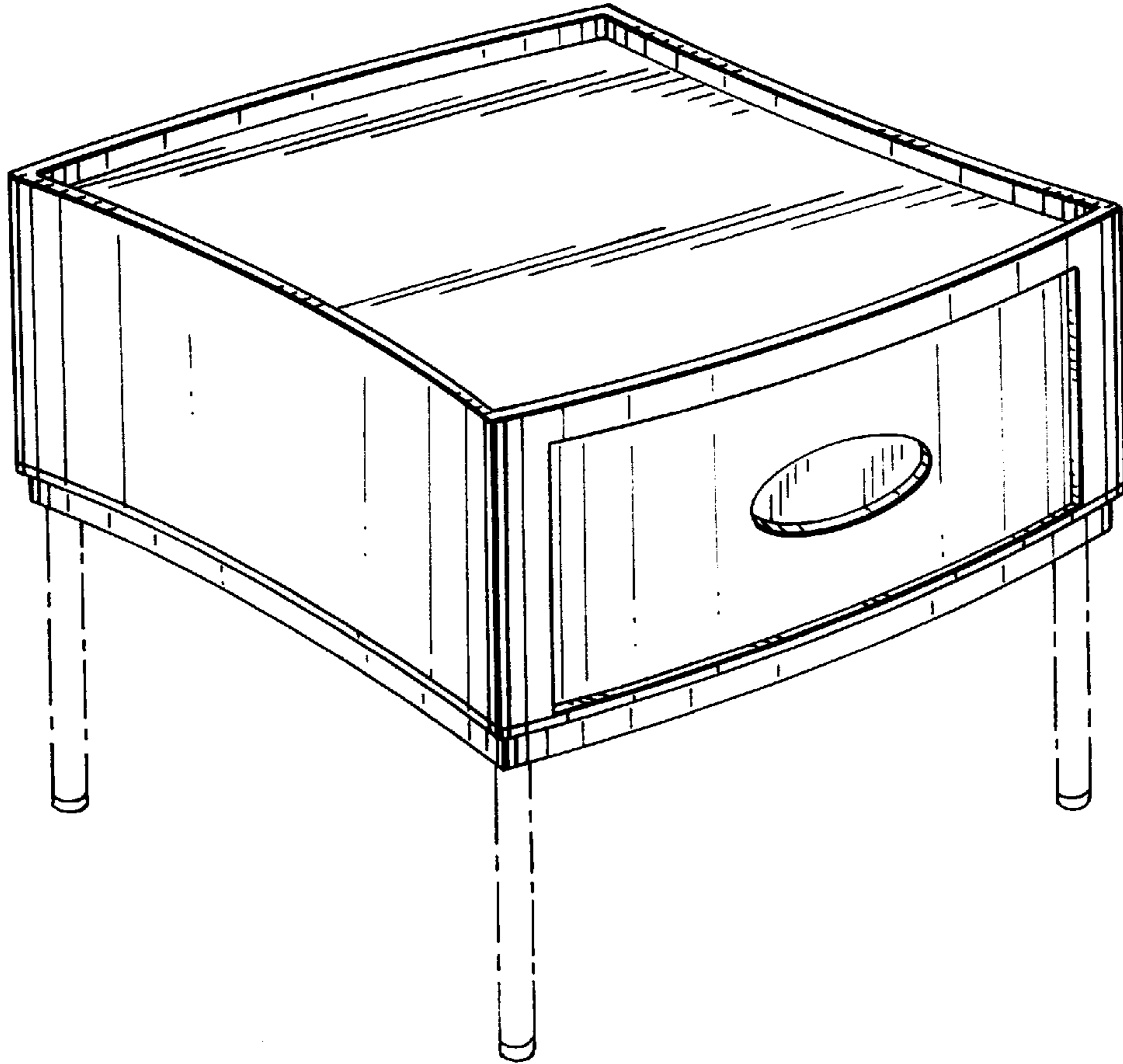


FIG. 2

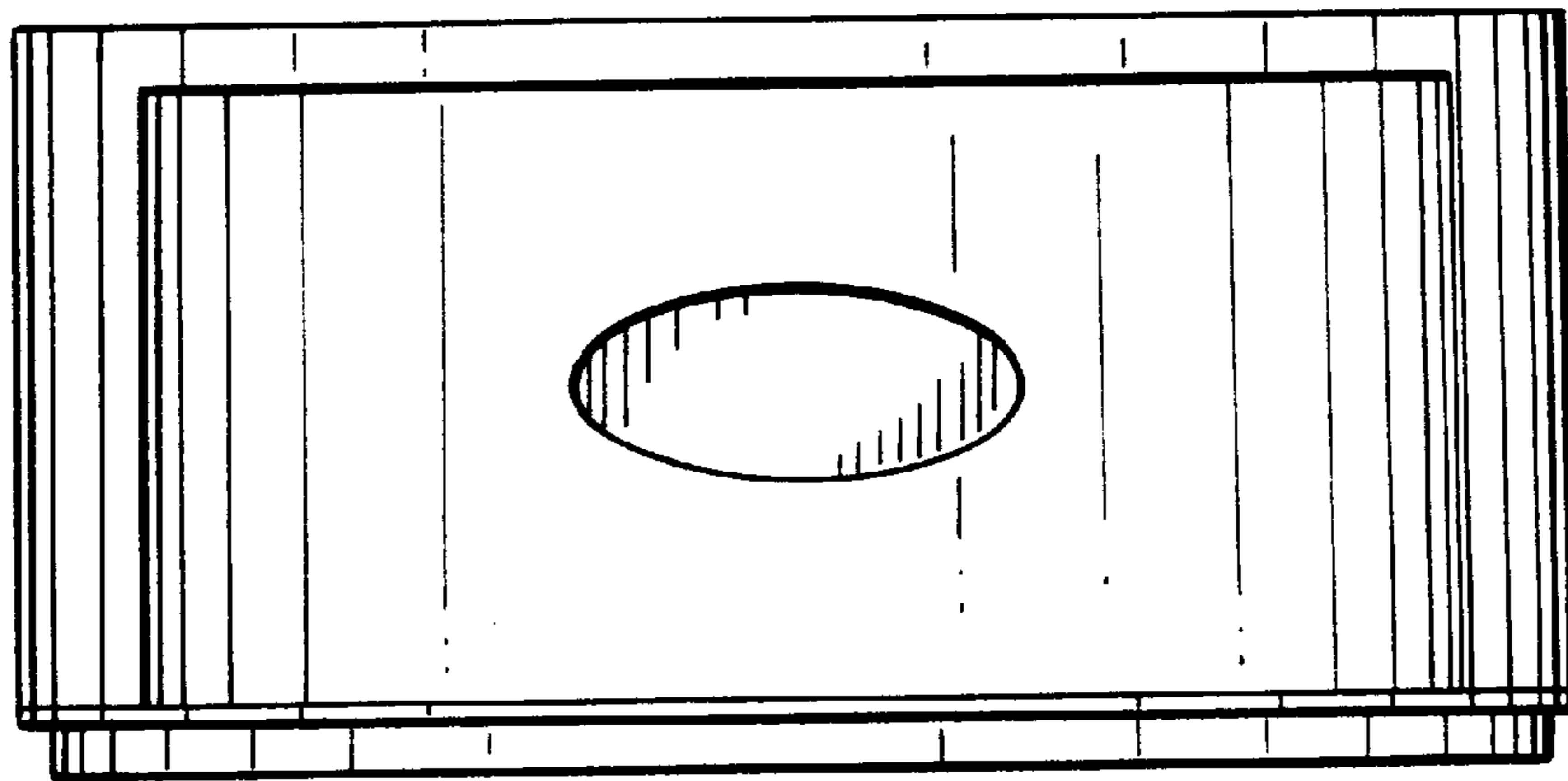


FIG. 3

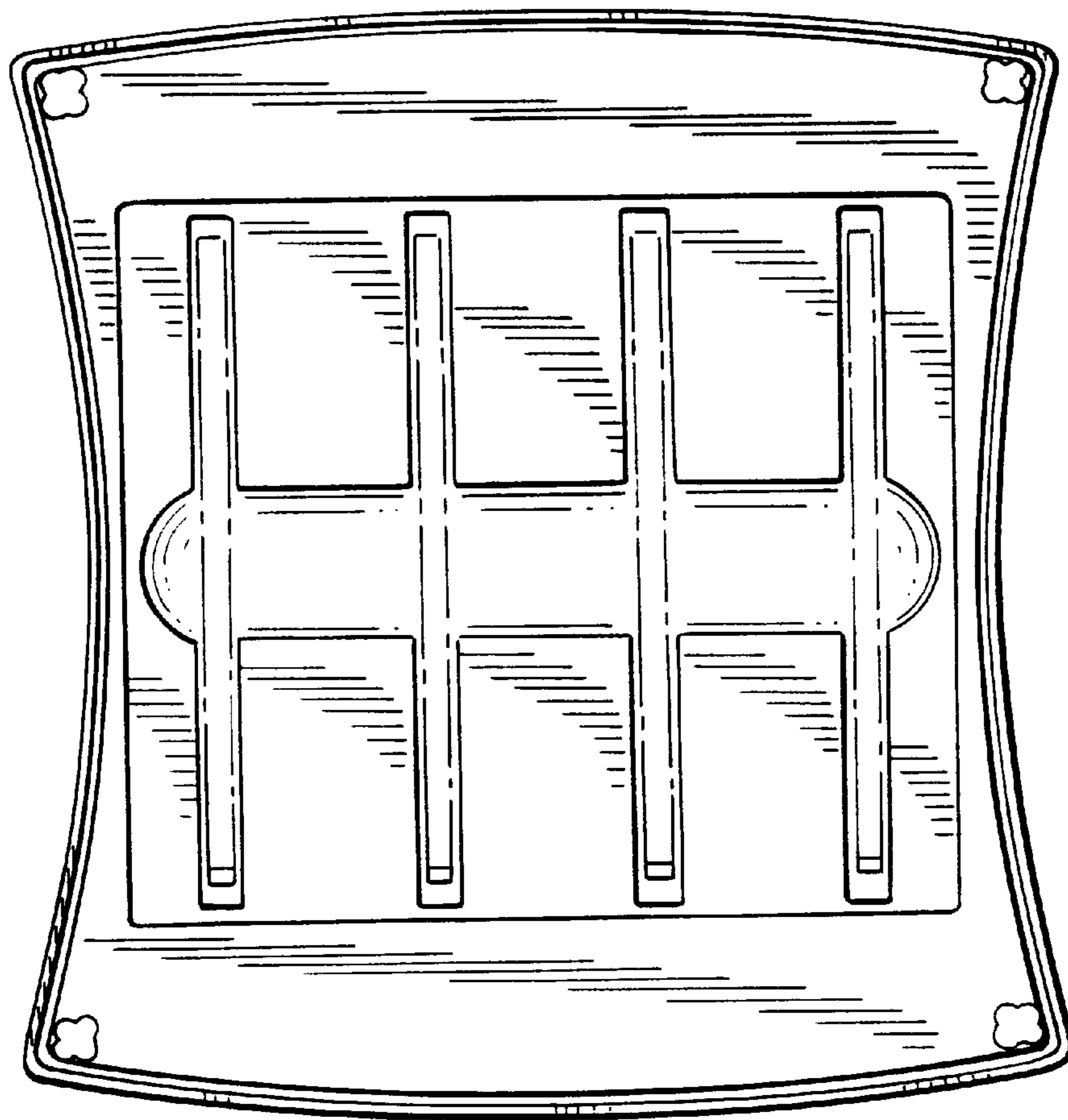


FIG. 4

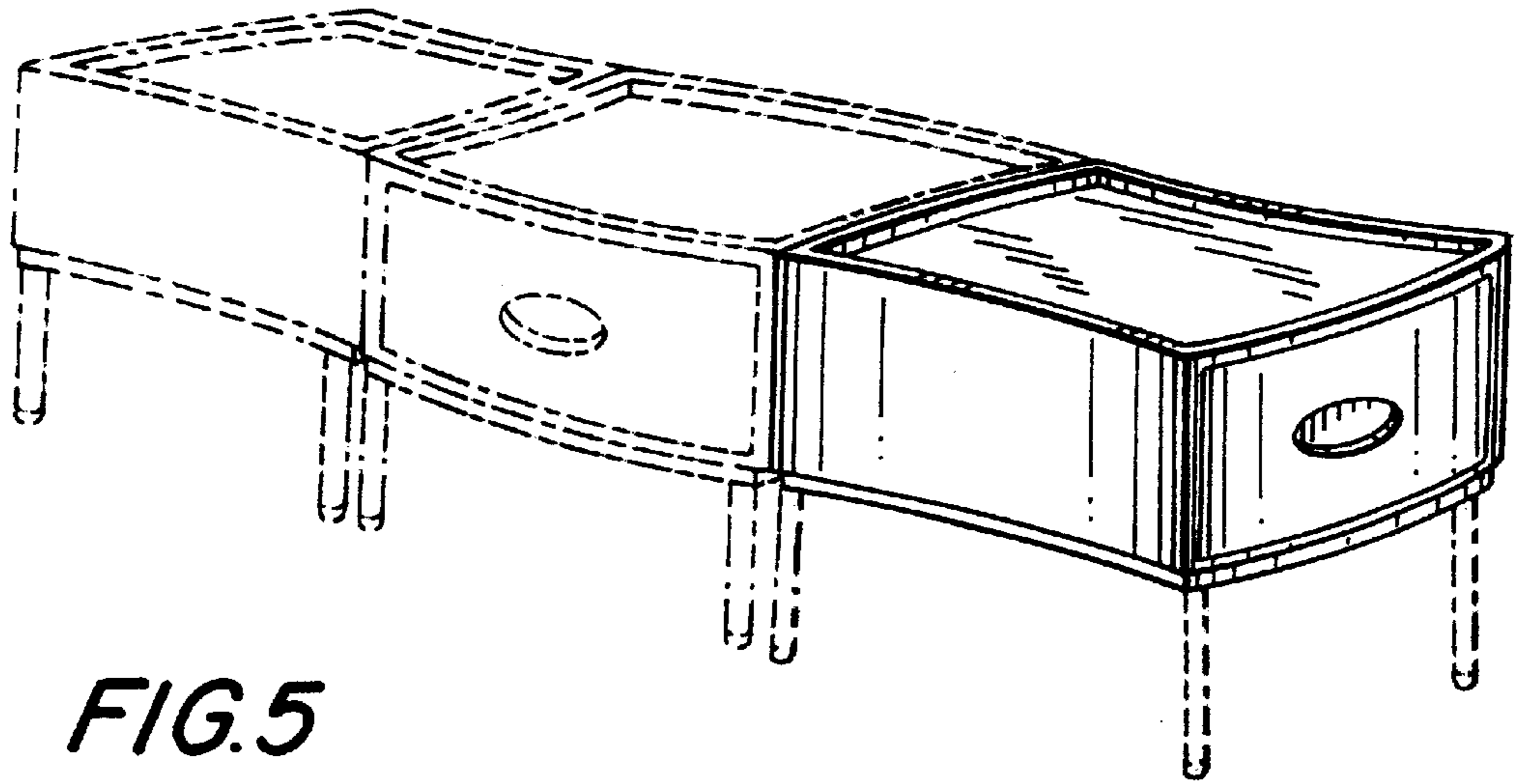


FIG. 5

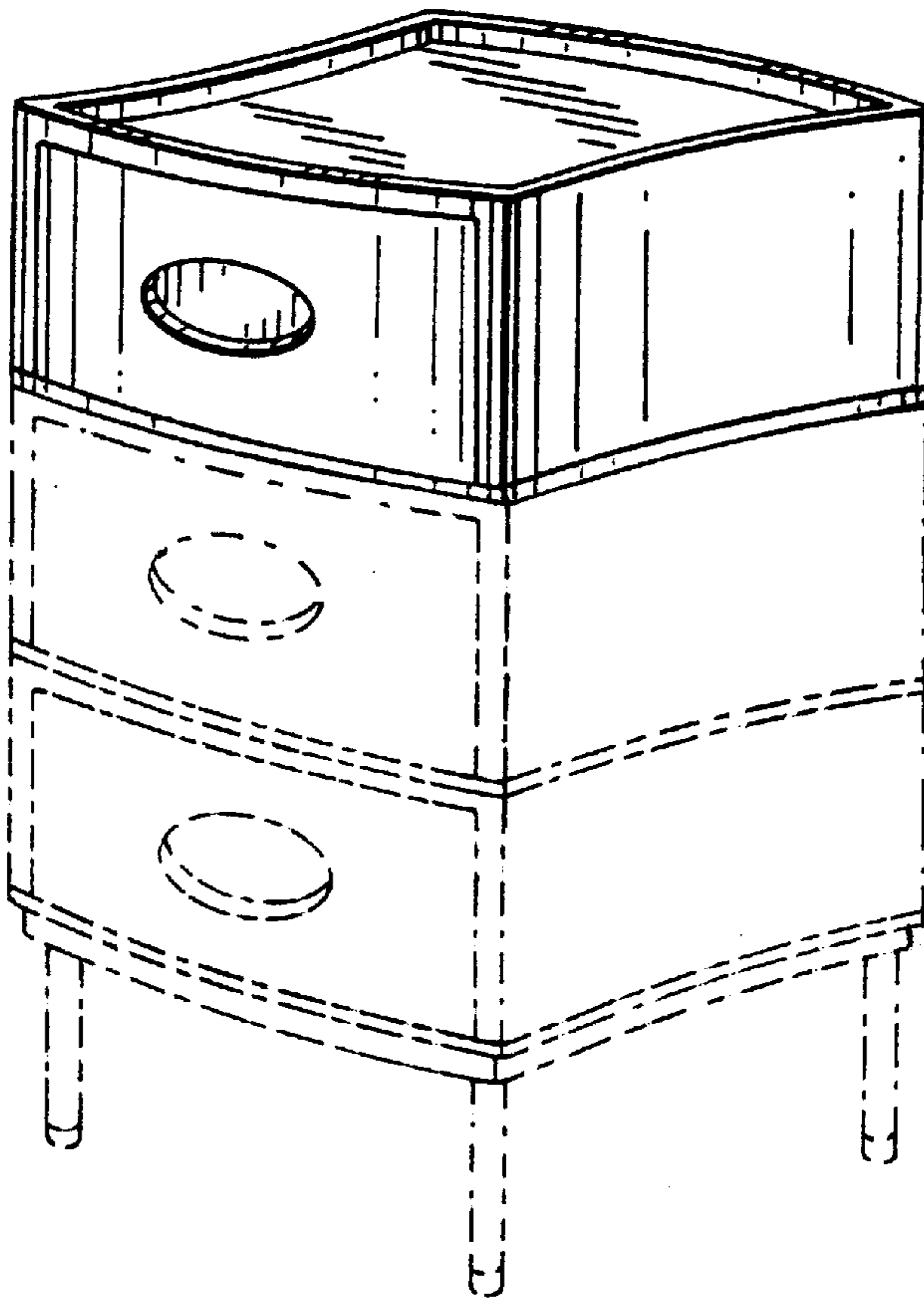


FIG. 6

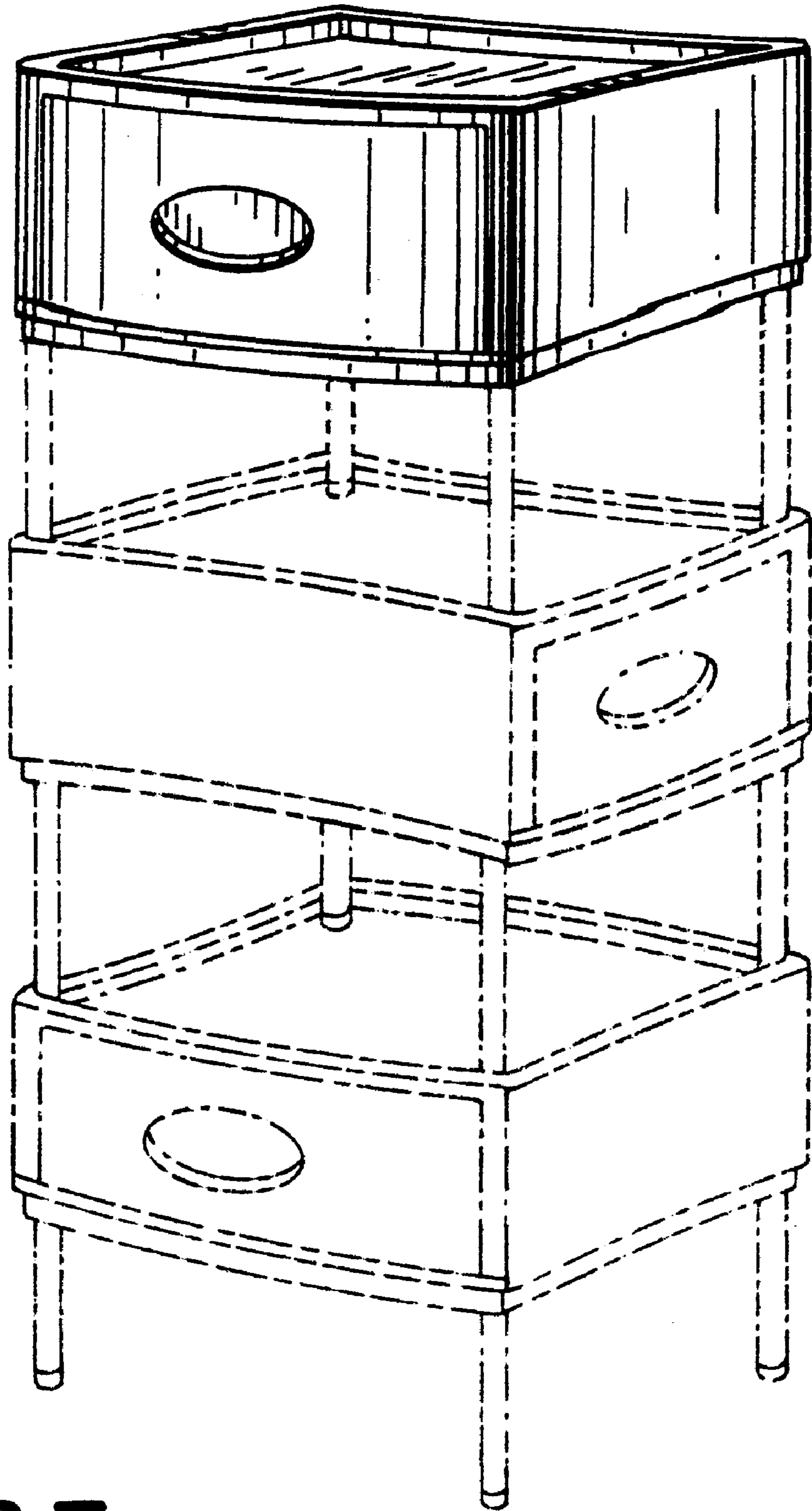


FIG. 7