



US00D439776S

(12) **United States Design Patent**  
**Foster**

(10) **Patent No.:** **US D439,776 S**

(45) **Date of Patent:** **\*\* Apr. 3, 2001**

(54) **GLAND PLATE FOR CABINET TOP PANEL**

D. 428,861 \* 8/2000 O'Sullivan et al. .... D13/184  
5,820,235 \* 10/1998 Tsai ..... 312/223.2

(75) Inventor: **Simon Foster**, Fair Oak, Eastleigh (GB)

\* cited by examiner

(73) Assignee: **APW Electronics Limited**, Eastleigh (GB)

*Primary Examiner*—Cathron Brooks

(\*\*) Term: **14 Years**

(74) *Attorney, Agent, or Firm*—Harter, Secrest & Emery LLP; Stephen B. Salai, Esq.; Brian B. Shaw, Esq.

(21) Appl. No.: **29/120,676**

(57) **CLAIM**

(22) Filed: **Mar. 24, 2000**

The ornamental design for an gland plate for cabinet top panel, as shown and described.

(30) **Foreign Application Priority Data**

**DESCRIPTION**

Sep. 28, 1999 (GB) ..... 2086995

(51) **LOC (7) Cl.** ..... **06-06**

FIG. 1 is a top, front perspective view showing my new design;

(52) **U.S. Cl.** ..... **D6/509**; D6/492; D13/184

FIG. 2 is a bottom, rear perspective view thereof;

(58) **Field of Search** ..... D6/491, 492, 509,

FIG. 3 is a front elevation thereof;

D6/510, 511, 432, 445, 446, 447, 448,

FIG. 4 is a rear elevation thereof;

567; D13/162, 163, 164, 184; D14/240;

FIG. 5 is a left side view thereof, the right side view being a mirror image;

312/223.1, 223.2, 223.3

FIG. 6 is a top plan view thereof;

(56) **References Cited**

FIG. 7 is a bottom plan view thereof; and,

**U.S. PATENT DOCUMENTS**

FIG. 8 is a cross-sectional view on line 8—8 of FIG. 1.

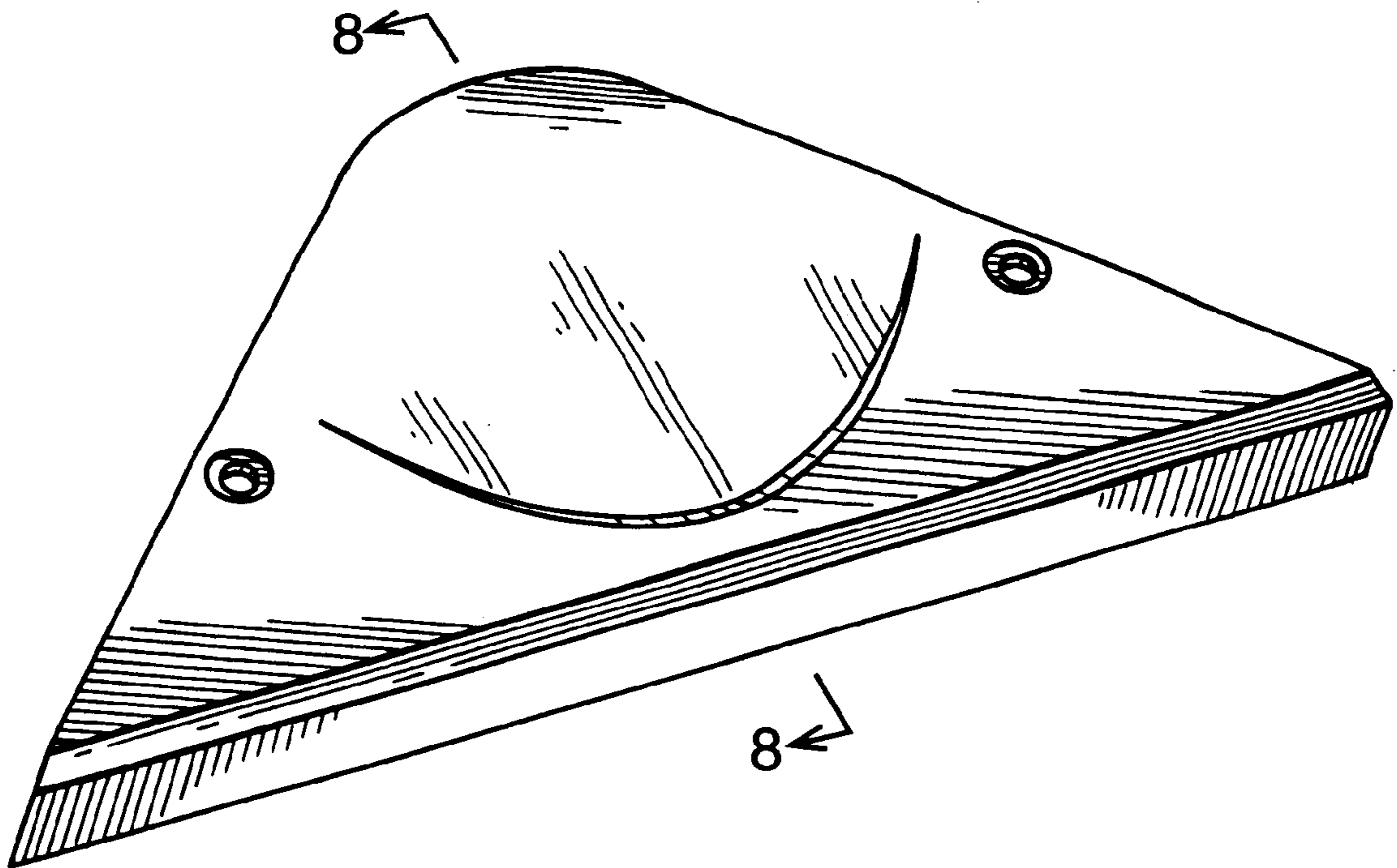
D. 357,405 \* 4/1995 Philippi ..... D6/567 X

The broken lines shown in the drawings are for illustrative purposes only and form no part of the claimed design.

D. 415,380 \* 10/1999 Kelly ..... D6/559

D. 417,107 \* 11/1999 Patel et al. .... D6/511

**1 Claim, 2 Drawing Sheets**



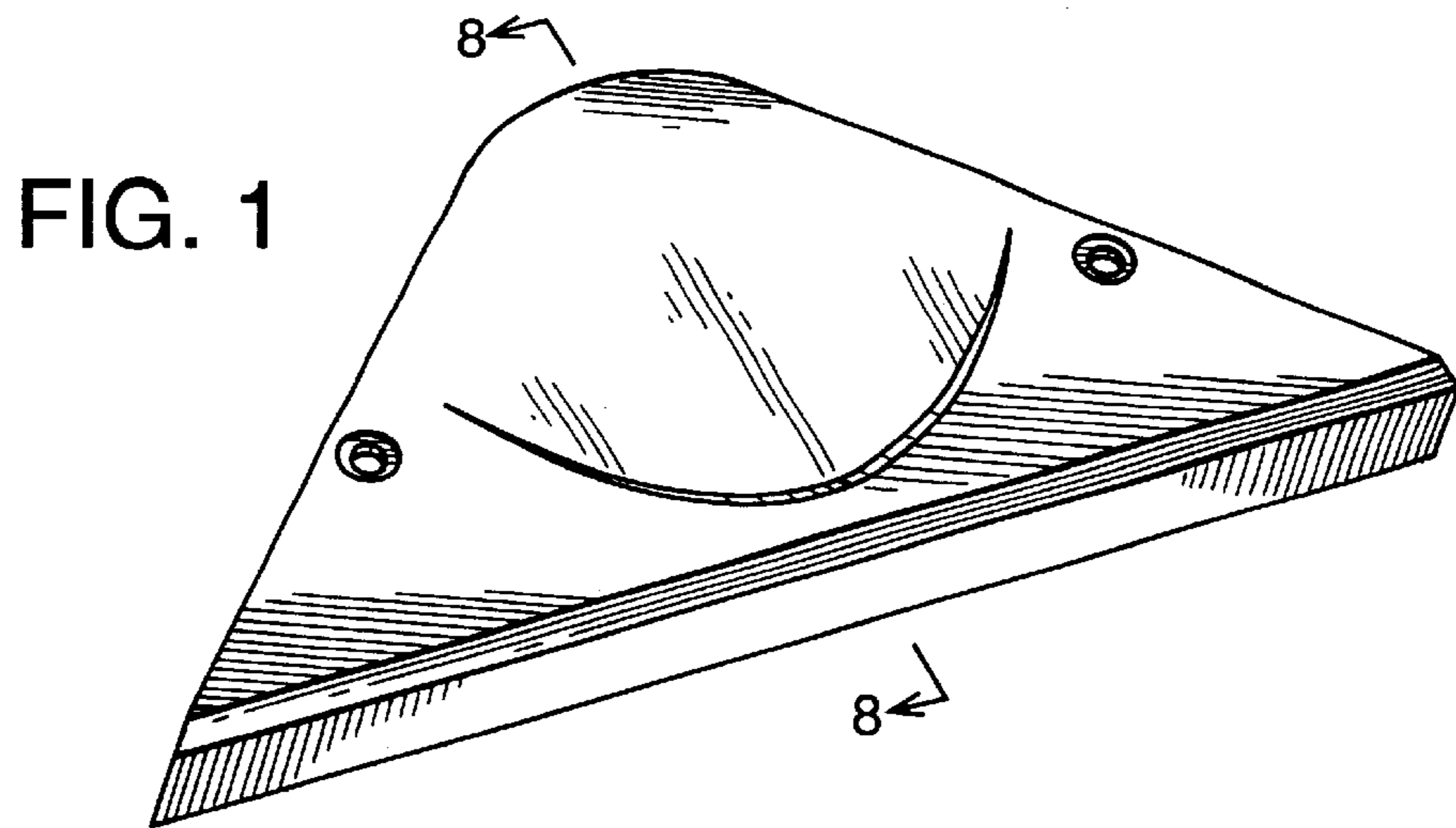


FIG. 2

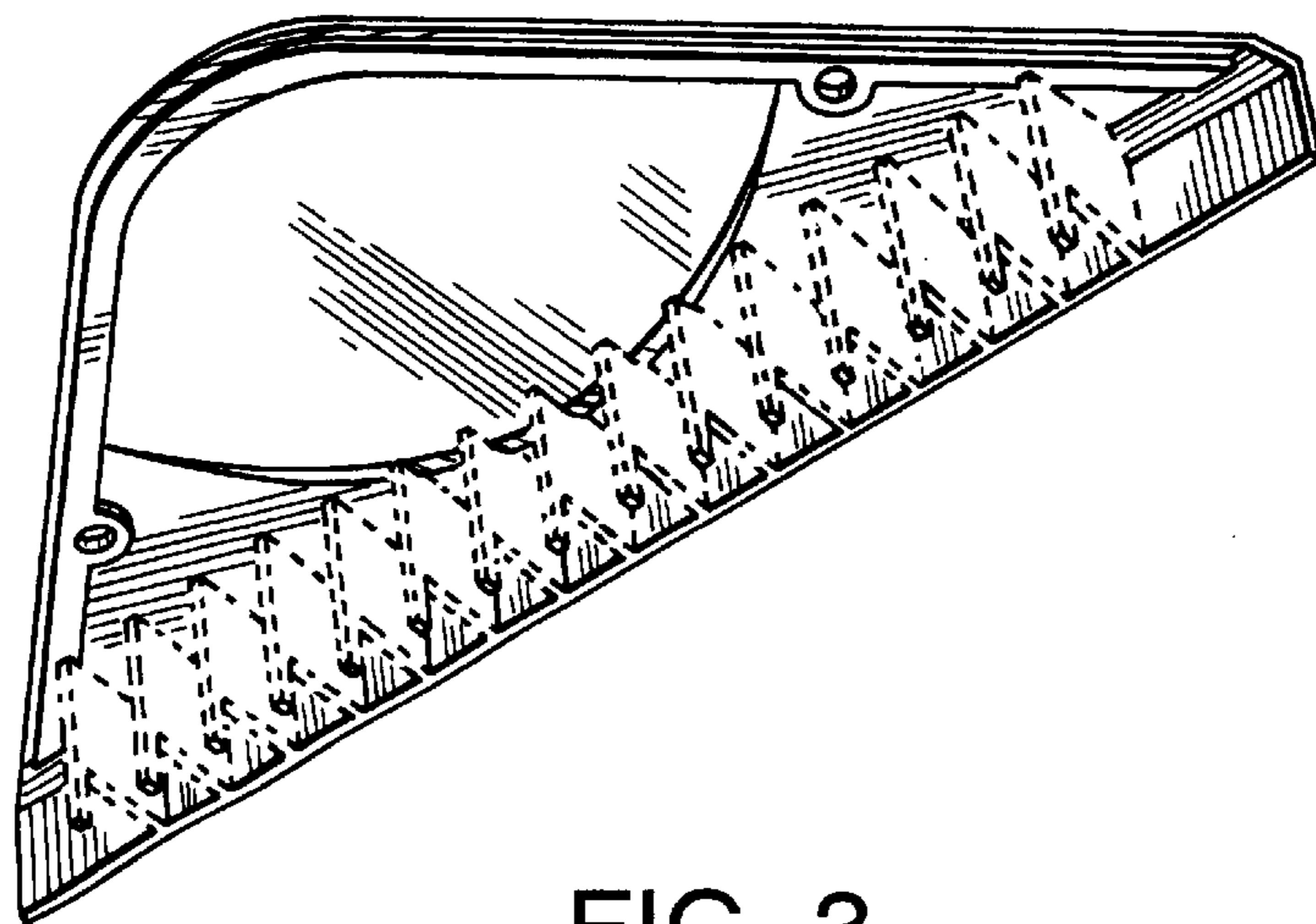


FIG. 3

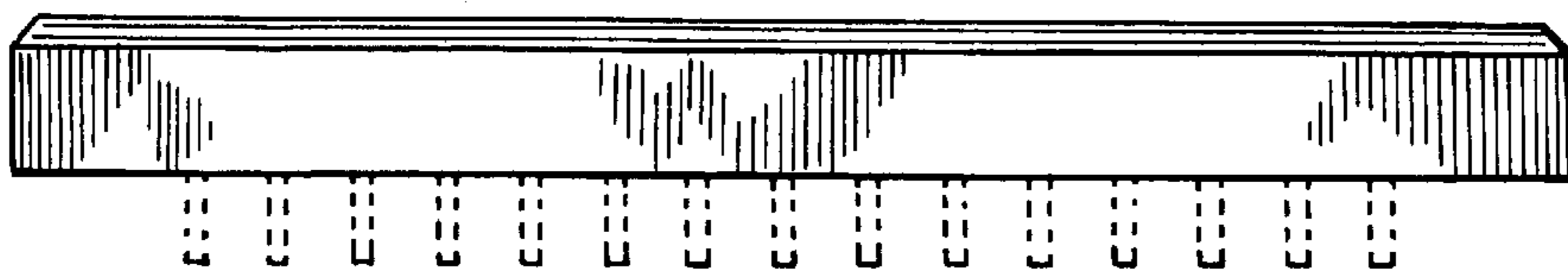


FIG. 4

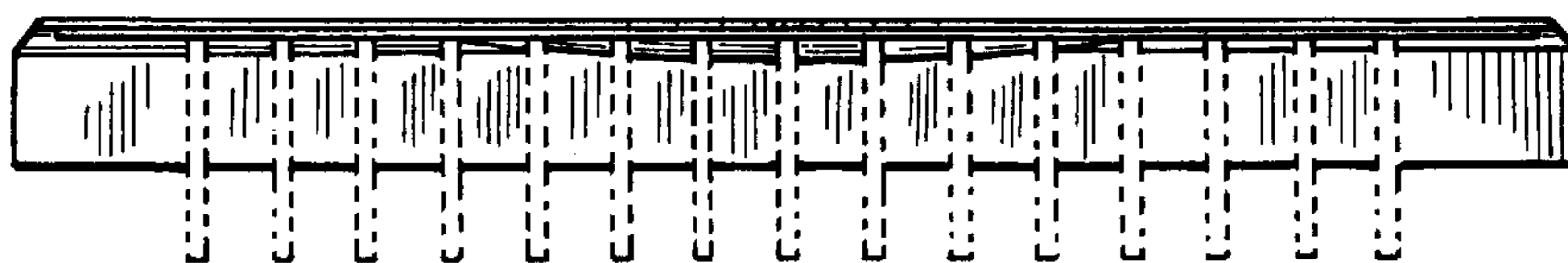


FIG. 5

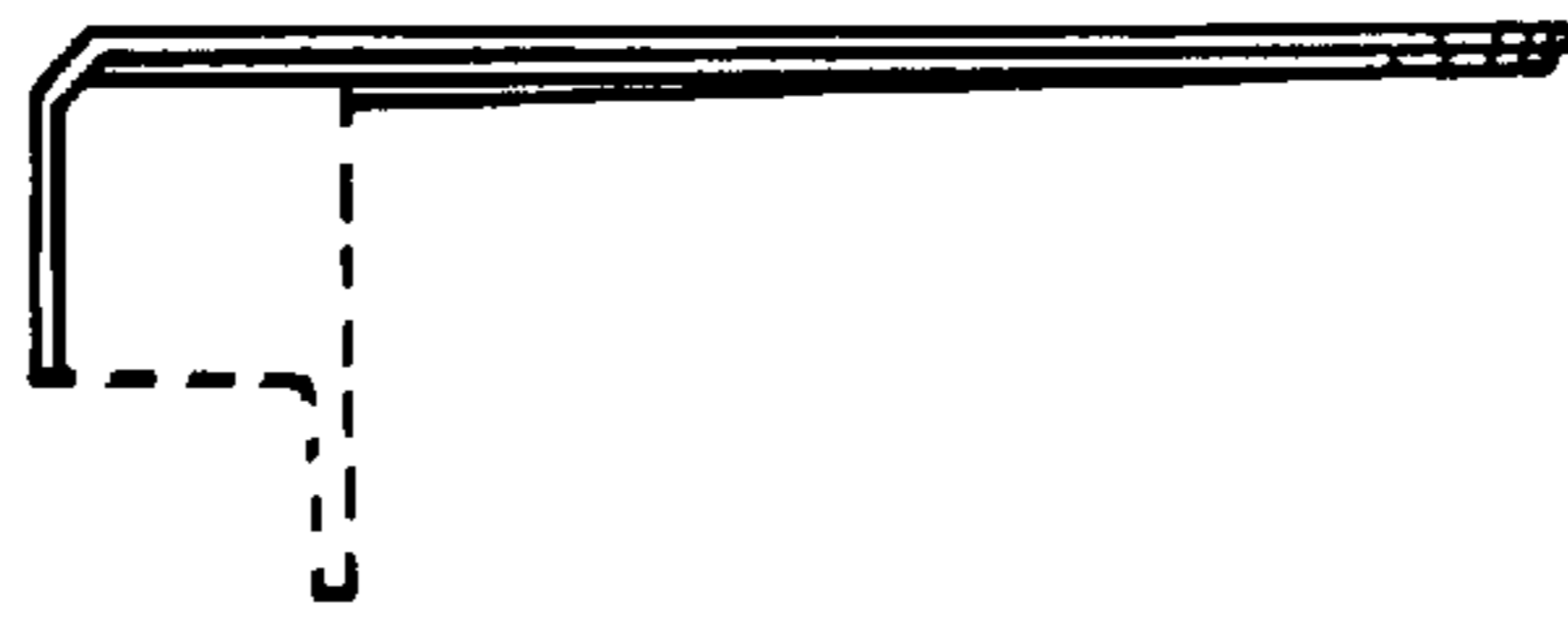


FIG. 6

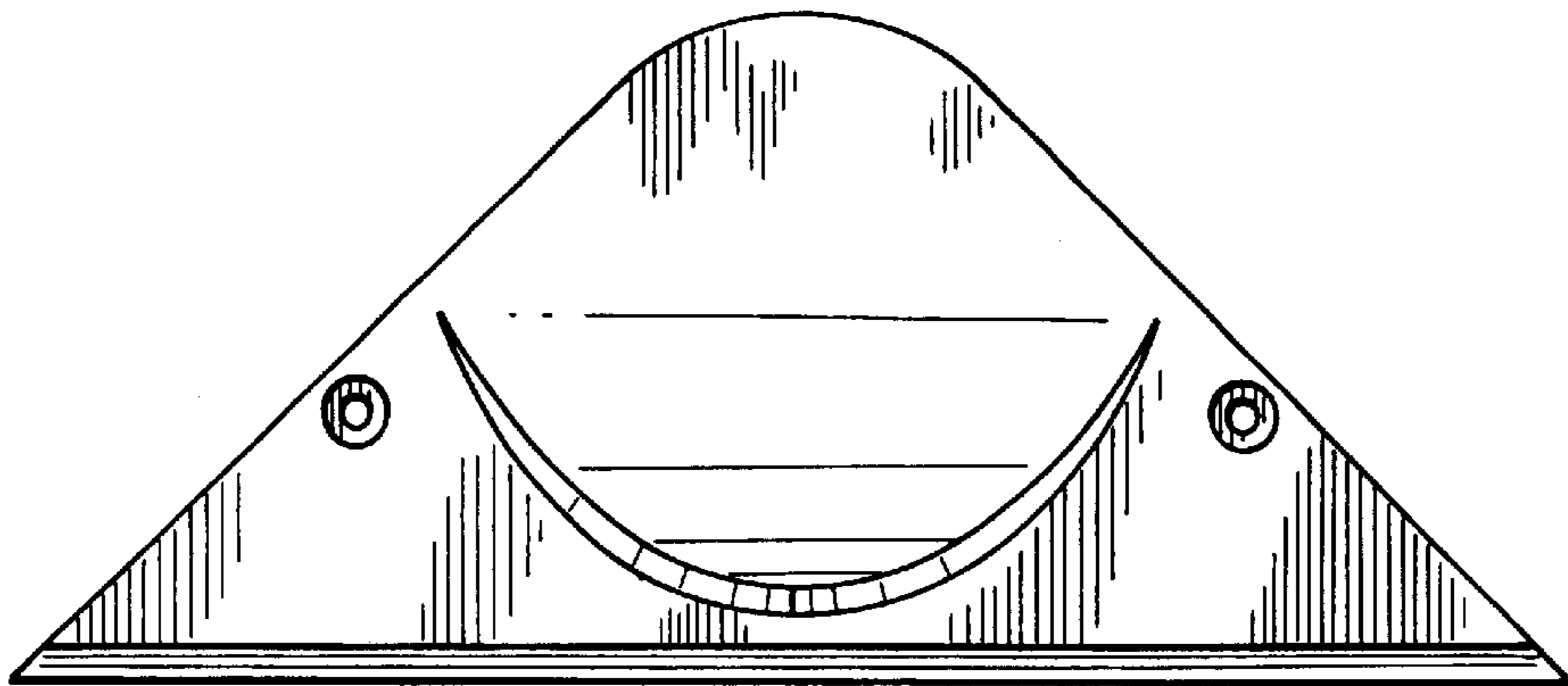


FIG. 7

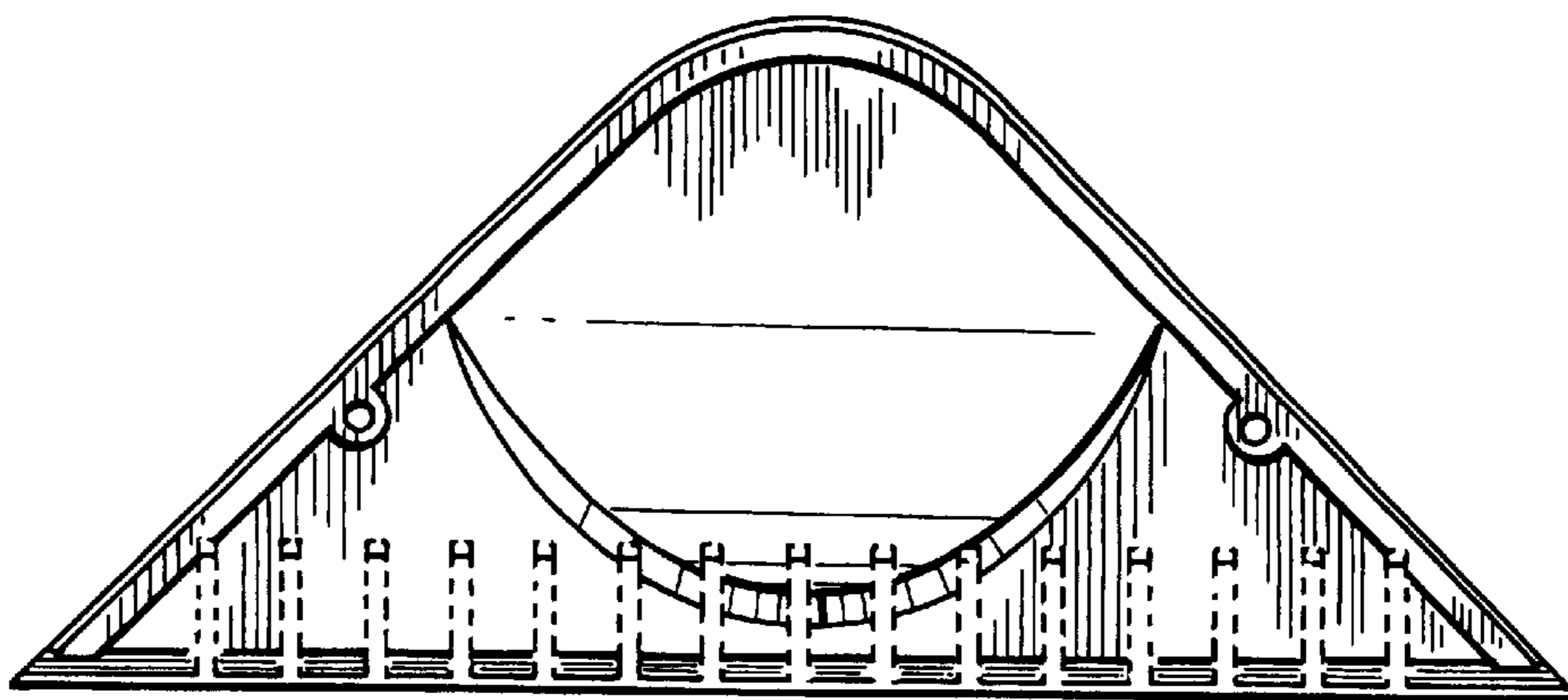


FIG. 8

