



US00D439772S

(12) **United States Design Patent**  
**Gutgsell**

(10) **Patent No.:** **US D439,772 S**

(45) **Date of Patent:** **\*\* Apr. 3, 2001**

(54) **TABLE LEG SUPPORT**

(75) Inventor: **David R. Gutgsell**, Jasper, IN (US)

(73) Assignee: **Ditto Sales, Inc.**, Jasper, IN (US)

(\*\*) Term: **14 Years**

(21) Appl. No.: **29/115,412**

(22) Filed: **Dec. 14, 1999**

**Related U.S. Application Data**

(62) Division of application No. 29/106,132, filed on Jun. 9, 1999, now Pat. No. Des. 424,844, which is a division of application No. 29/087,418, filed on May 1, 1998, now Pat. No. Des. 412,256.

(51) **LOC (7) Cl.** ..... **06-06**

(52) **U.S. Cl.** ..... **D6/498; D6/495**

(58) **Field of Search** ..... D6/480-489, 495-499, D6/429; 108/150, 153.1, 156, 157.1, 158.11, 161; 248/188, 188.1, 188.7, 188.8

(56) **References Cited**

**U.S. PATENT DOCUMENTS**

D. 318,967 \* 8/1991 Murry ..... D6/495

D. 406,206 \* 3/1999 Grosfillex ..... D6/480

D. 412,256 \* 7/1999 Gutgsell ..... D6/495

D. 424,844 \* 5/2000 Gutgsell ..... D6/498

\* cited by examiner

*Primary Examiner*—Janice E. Seeger

(74) *Attorney, Agent, or Firm*—Baker & Daniels

(57) **CLAIM**

The ornamental design for a table leg support, as shown and described.

**DESCRIPTION**

FIG. 1 is a perspective view of a table leg support, showing the central mesh feature in greater detail;

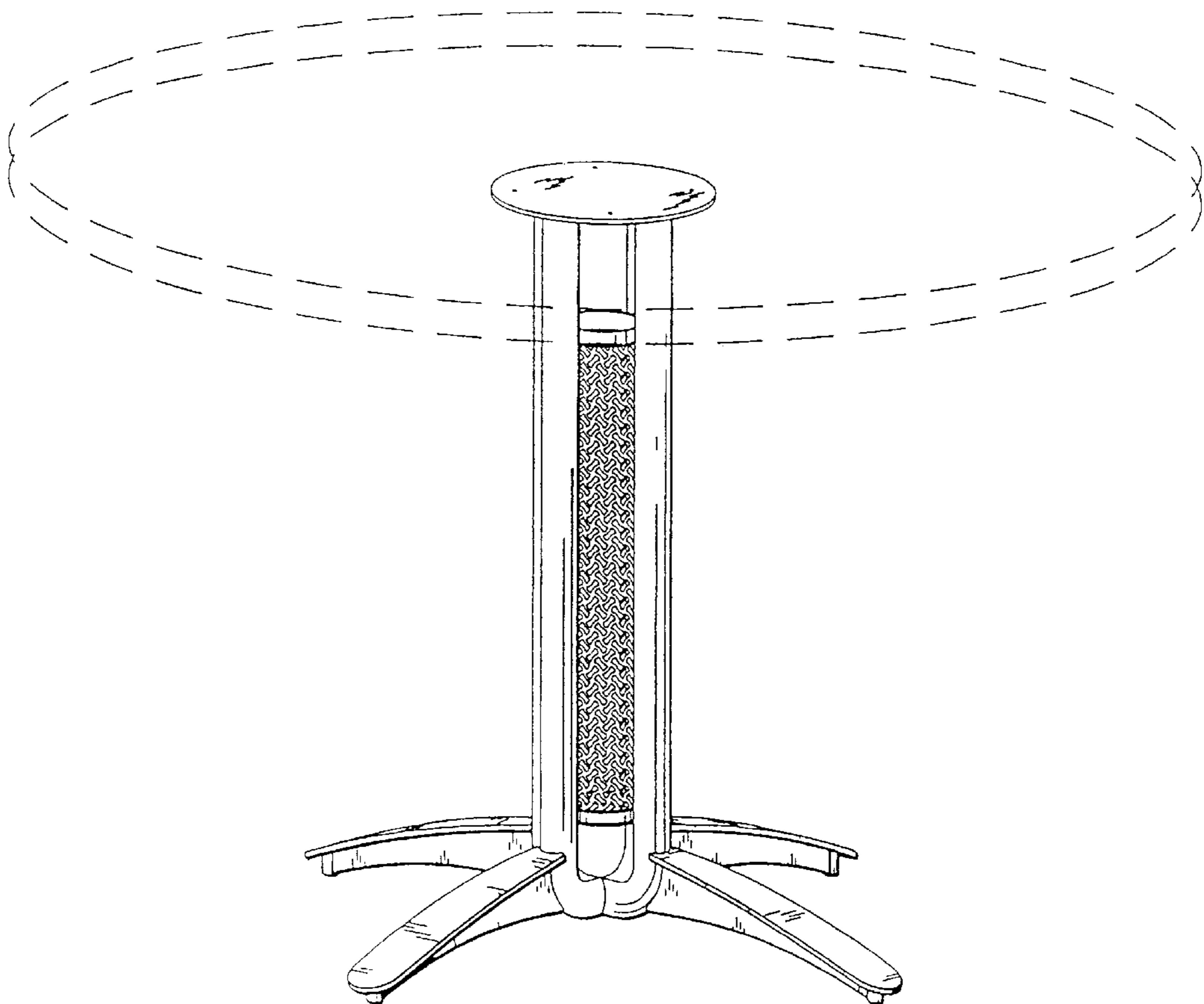
FIG. 2 is a perspective view;

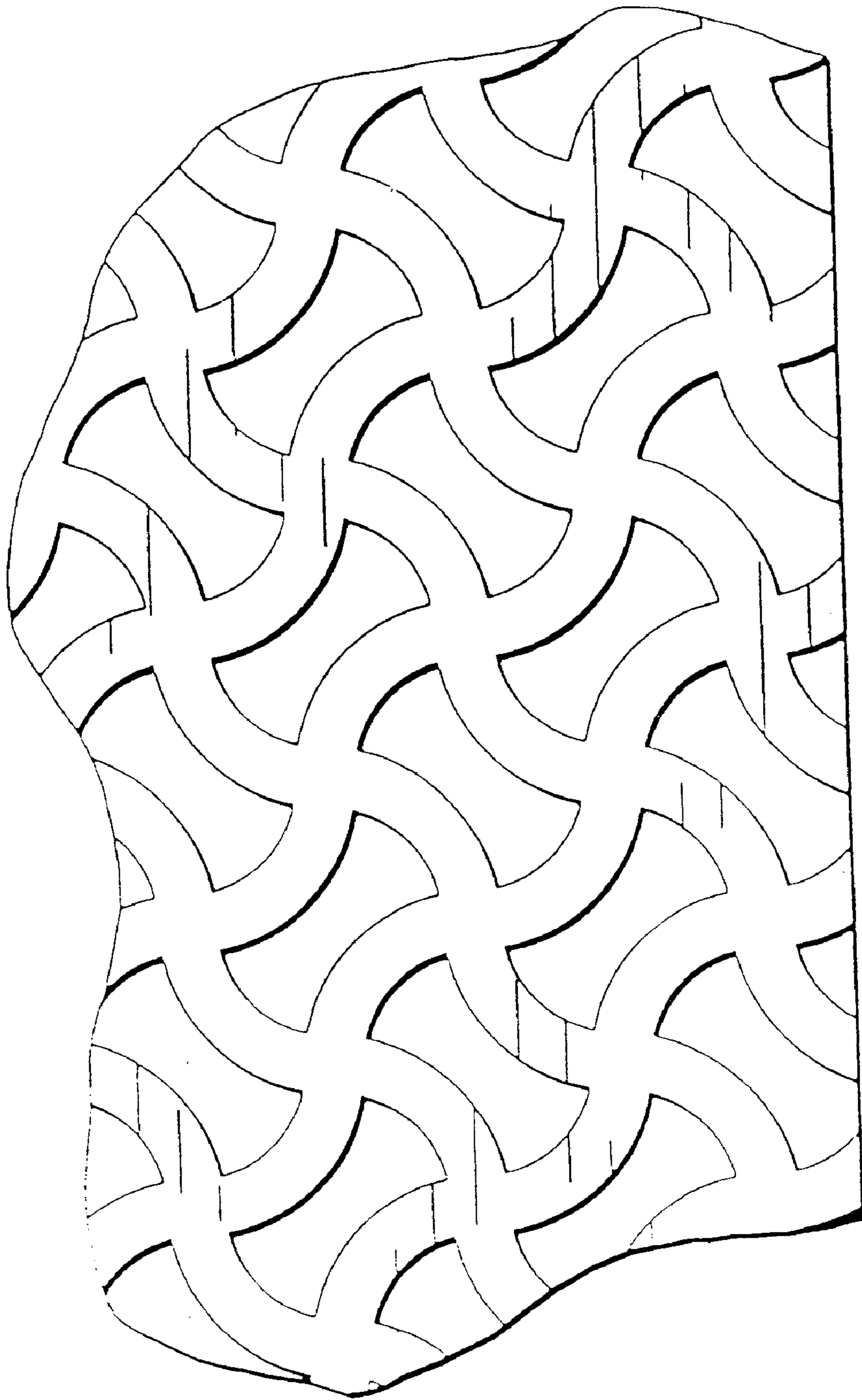
FIG. 3 is a typical side elevational view; and,

FIG. 4 is a top plan view.

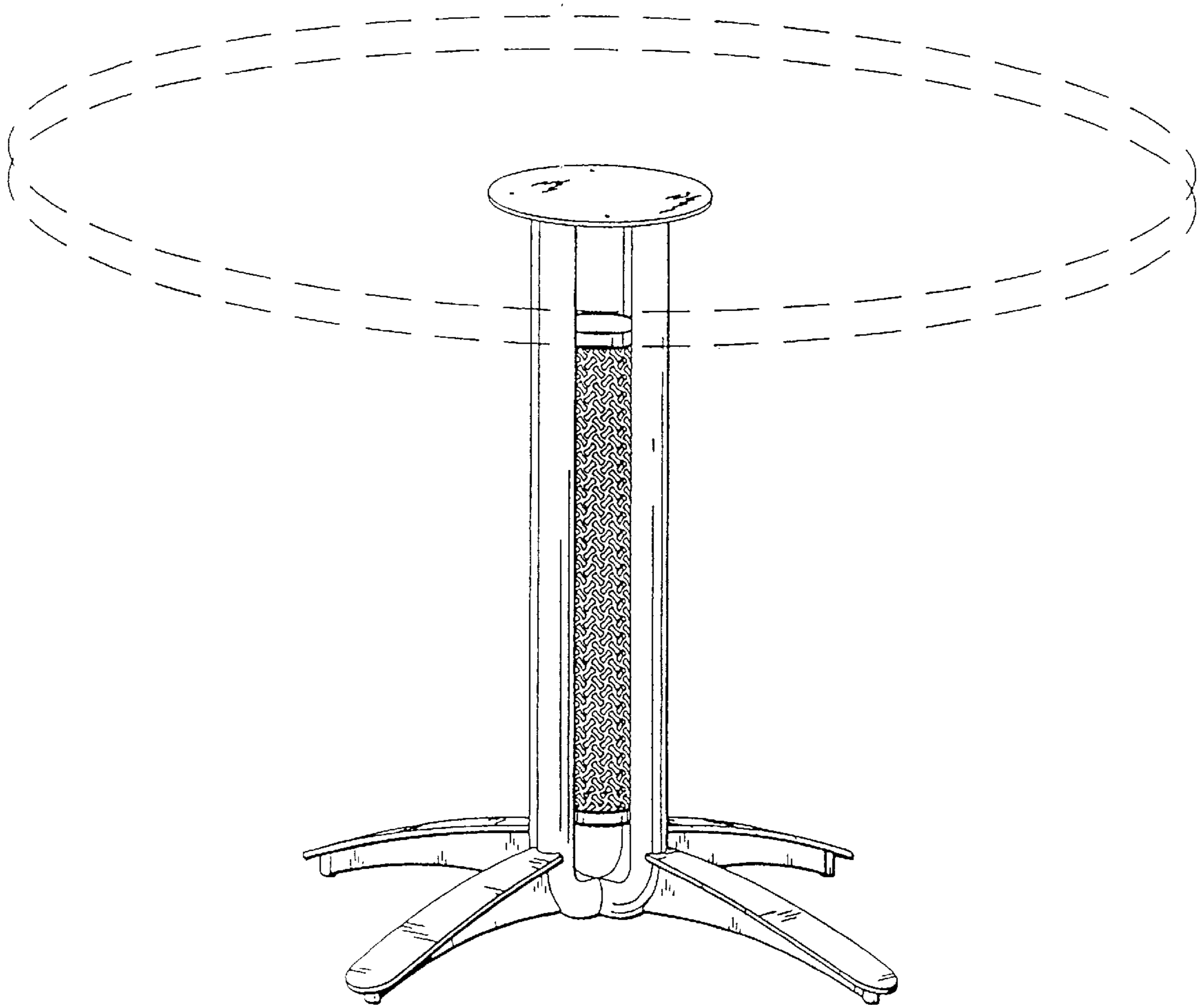
The broken lines are for environmental purposes only and form no part of the claimed design.

**1 Claim, 4 Drawing Sheets**

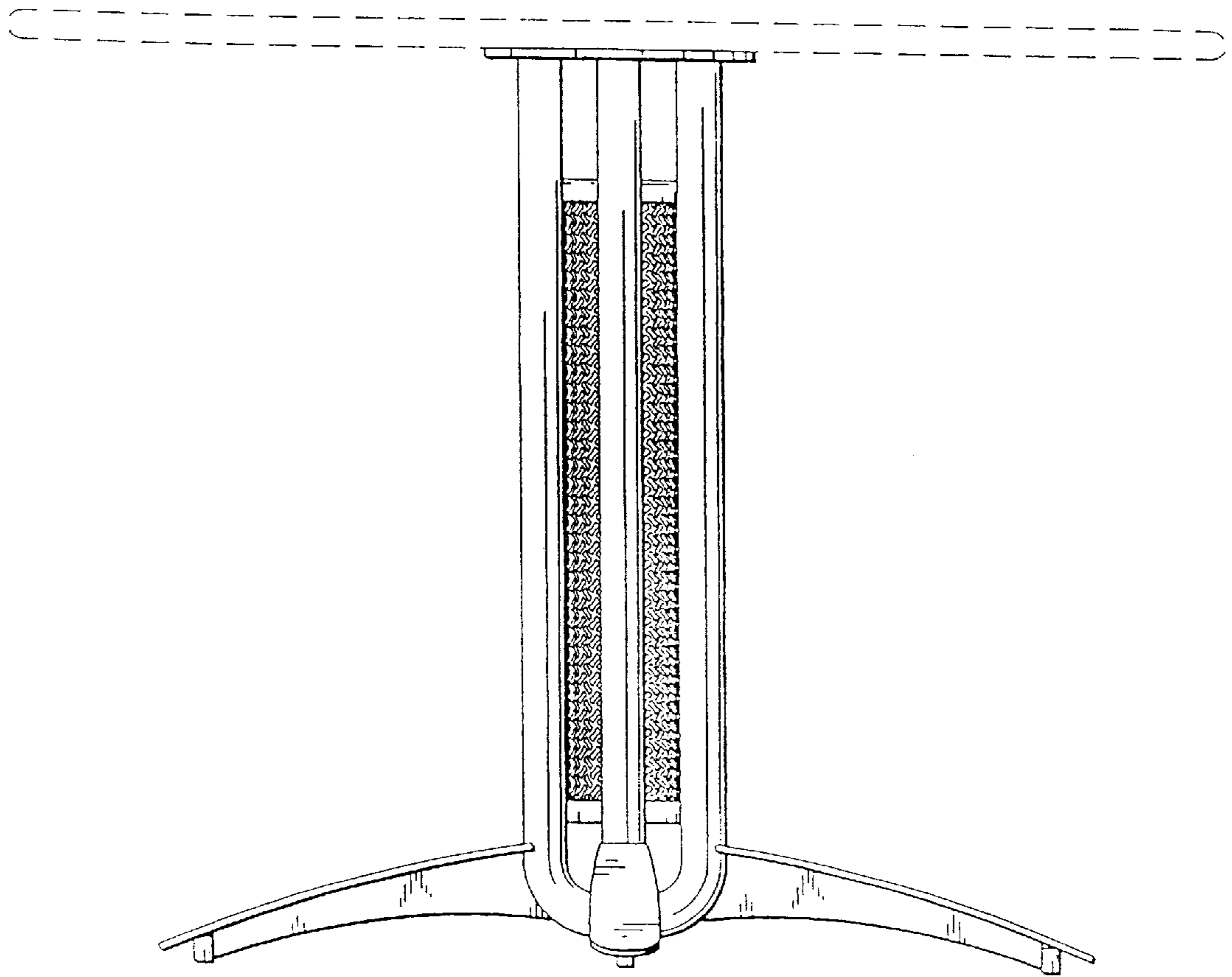




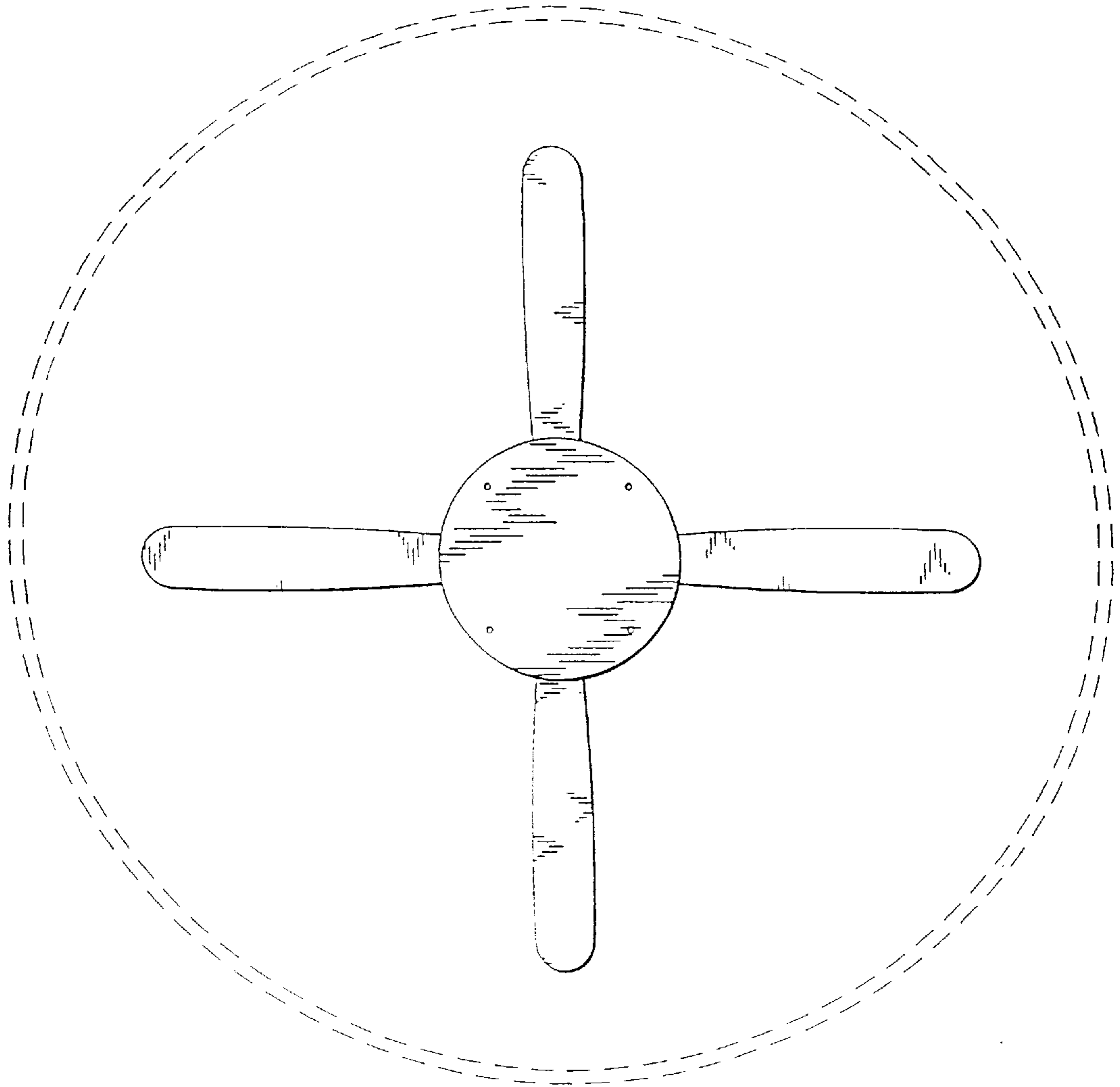
*Fig. 1*



*Fig. 2*



*Fig. 3*



*Fig. 4*