



US00D439769S

(12) **United States Design Patent**
Prince et al.

(10) **Patent No.:** **US D439,769 S**

(45) **Date of Patent:** **** Apr. 3, 2001**

(54) **SHELF ASSEMBLY**

(75) **Inventors:** **Michael D. Prince; Paul O’Conner,**
both of Chicago; **Antonio J. Belton,**
Hazelcrest, all of IL (US)

(73) **Assignee:** **Contico International, LLC,** St. Louis,
MO (US)

(**) **Term:** **14 Years**

(21) **Appl. No.:** **29/120,963**

(22) **Filed:** **Mar. 29, 2000**

(51) **LOC (7) Cl.** **06-04**

(52) **U.S. Cl.** **D6/479**

(58) **Field of Search** D6/329, 396, 449,
D6/461, 462, 465, 477–479; 108/180, 186,
147.12, 147.13, 147.15, 147.17, 106, 107,
110; 211/126.1, 126.2, 126.14, 126.15,
126.16, 128.1, 134, 135, 186–188

(56) **References Cited**

U.S. PATENT DOCUMENTS

- D. 287,680 * 1/1987 Lonngren D6/485
- D. 298,288 * 11/1988 Oto D6/474
- D. 321,101 * 10/1991 Zucker D6/479
- D. 330,819 * 11/1992 Dickinson D6/479
- D. 348,577 * 7/1994 Simpson D6/479

- D. 362,138 * 9/1995 Sagol D6/479
- D. 367,784 * 3/1996 Goetz D6/479
- D. 400,739 * 11/1998 Sheng D6/479
- 4,940,150 * 7/1990 Spengler 211/188
- 5,271,337 * 12/1993 Kolvites et al. 108/107
- 5,438,938 * 8/1995 Meeker et al. 108/91

* cited by examiner

Primary Examiner—Catherine Tuttle

(74) *Attorney, Agent, or Firm*—Howell & Haferkamp, LC

(57) **CLAIM**

The ornamental design for a shelf assembly, as shown and described.

DESCRIPTION

FIG. 1 is a perspective view of a shelf assembly showing my new design;
 FIG. 2 is a front elevational view of the shelf assembly of FIG. 1, the rear elevational view being identical thereto;
 FIG. 3 is a left end elevational view of the shelf assembly of FIG. 1, the right end elevational view being identical thereto; and,
 FIG. 4 is an enlarged scale top plan view of the shelf assembly of FIG. 1.

The surface(s) or portion(s) of the article not shown in the drawing or described in the specification form(s) no part of the claimed design.

1 Claim, 4 Drawing Sheets

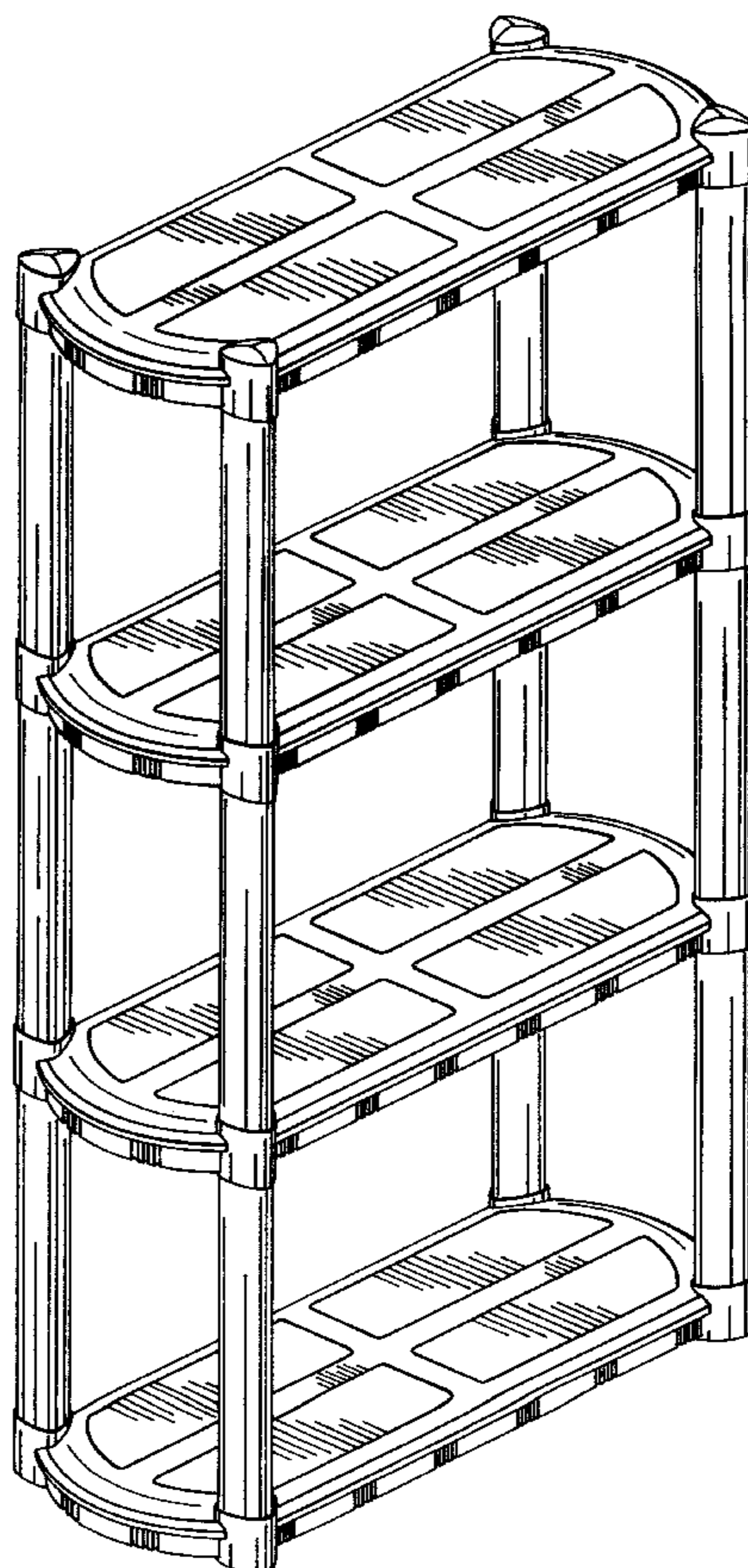


FIG. 1

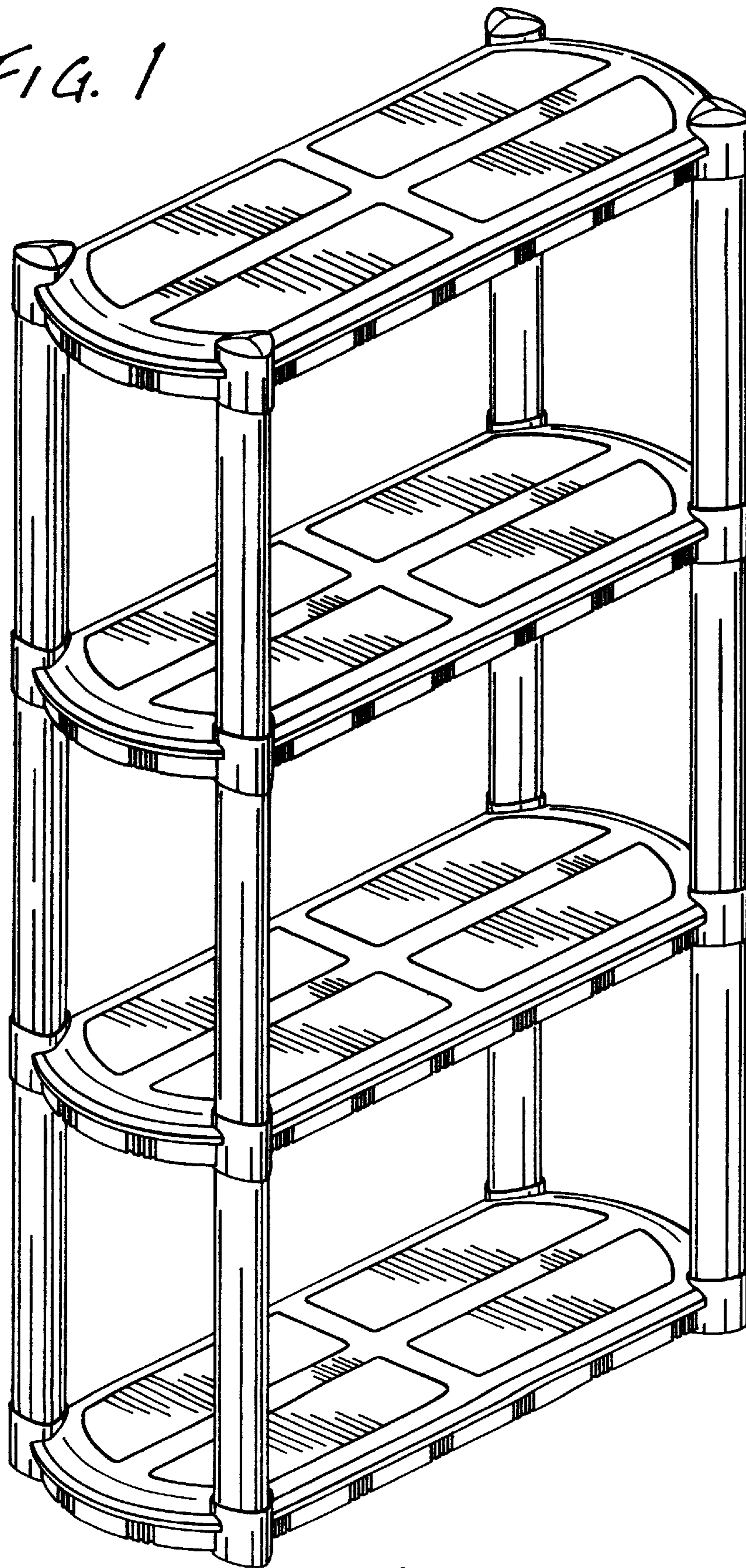


FIG. 2

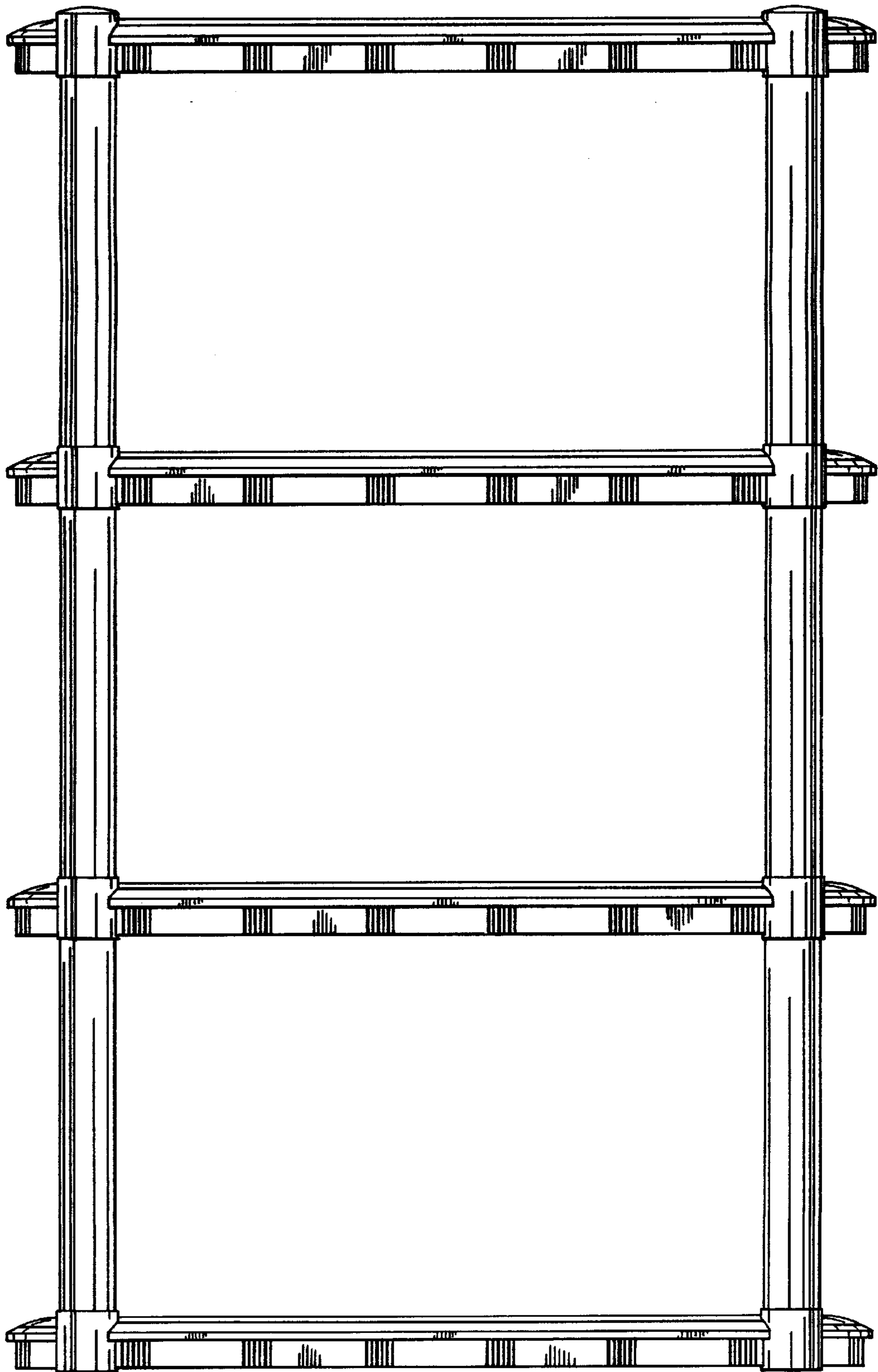


FIG. 3

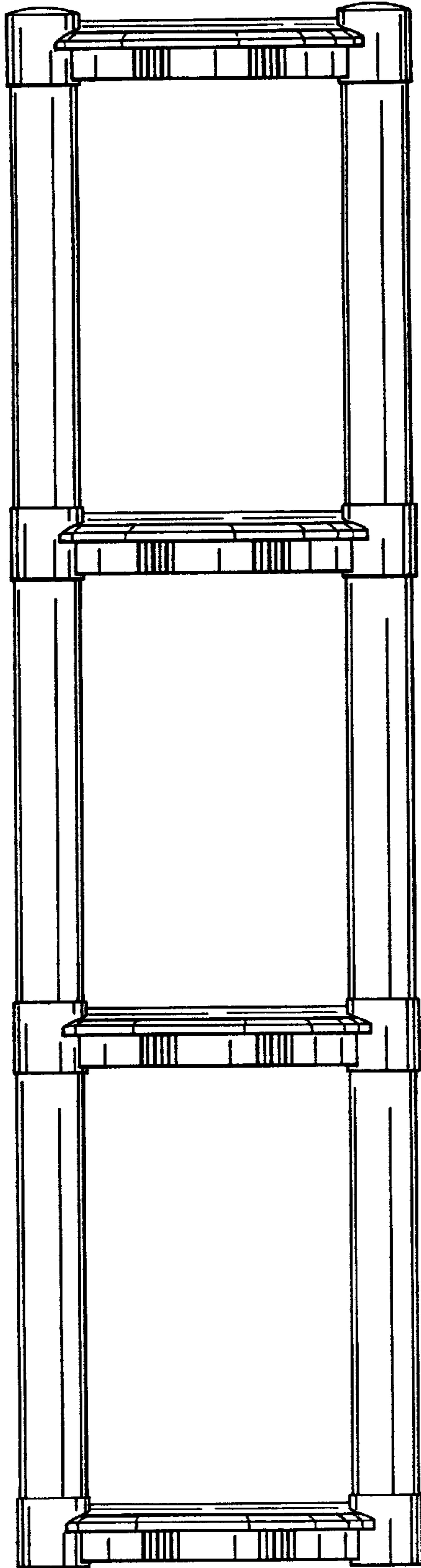


FIG. 4

