



US00D439757S

(12) **United States Design Patent**
Saad Rionda

(10) **Patent No.:** **US D439,757 S**

(45) **Date of Patent:** **** Apr. 3, 2001**

(54) **CHAISE LOUNGE**

3,737,926 * 6/1973 Hermanson 297/377

(76) Inventor: **Alexis Saad Rionda**, Lucerna No. 36,
Colonia Juarez, Mexico City (MX),
06600

* cited by examiner

(**) Term: **14 Years**

Primary Examiner—Doris V. Coles
Assistant Examiner—Mimosa De
(74) *Attorney, Agent, or Firm*—Burns, Doane, Swecker &
Mathis, L.L.P.

(21) Appl. No.: **29/104,310**

(57) **CLAIM**

(22) Filed: **May 3, 1999**

The ornamental design for a chaise lounge, as shown and described.

(30) **Foreign Application Priority Data**

DESCRIPTION

Nov. 18, 1998 (MX) 981169

(51) **LOC (7) Cl.** **06-01**

(52) **U.S. Cl.** **D6/361**

(58) **Field of Search** D6/334, 335, 360,
D6/361, 367, 368, 370, 500, 501, 502;
297/377, 452.63

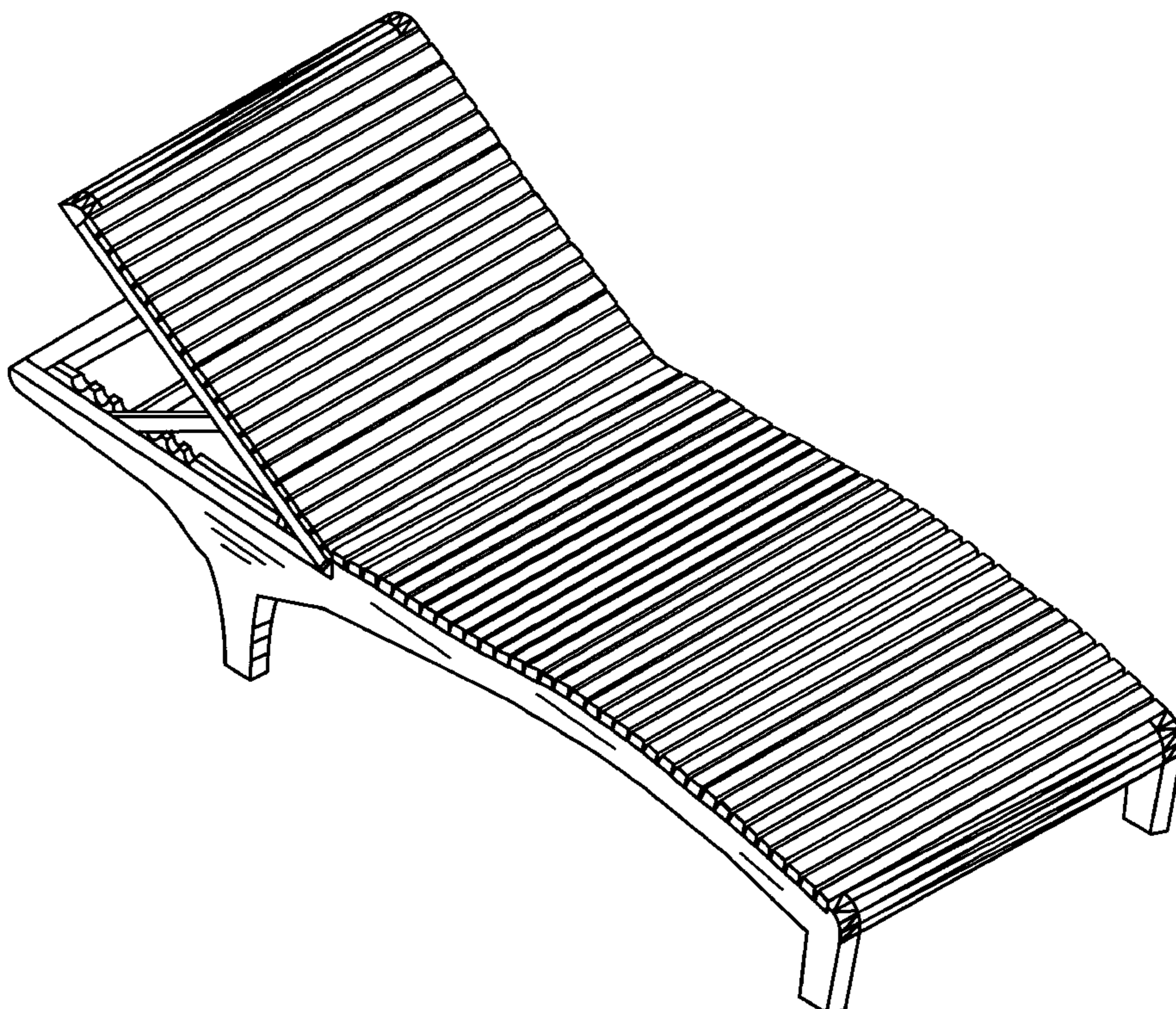
FIG. 1 is a front, left perspective view of a chaise lounge showing my new design in a raised position;
FIG. 2 is a rear, left perspective view thereof;
FIG. 3 is a top plan view thereof;
FIG. 4 is a side elevational view thereof, the other side being a mirror image;
FIG. 5 is a front elevational view thereof;
FIG. 6 is a rear elevational view thereof;
FIG. 7 is a front, left perspective view of the chaise lounge of FIG. 1 in a lowered position;
FIG. 8 is a rear, left perspective view thereof;
FIG. 9 is a further rear, left perspective view thereof.
FIG. 10 is a top plan view thereof;
FIG. 11 is a side elevational view thereof, the other side being a mirror image;
FIG. 12 is a front elevational view thereof; and,
FIG. 13 is a rear elevational view thereof.

(56) **References Cited**

U.S. PATENT DOCUMENTS

- D. 102,045 * 11/1936 Wexelblatt D6/370
- D. 228,428 * 9/1973 Wilson et al. D6/361
- D. 259,679 * 6/1981 Sroub D6/361
- D. 278,392 * 4/1985 Bayly D6/361
- D. 279,053 * 6/1985 Vanderminden D6/361
- D. 282,415 * 2/1986 Sheridan D6/361
- D. 296,849 * 7/1988 Cronk D6/361
- D. 306,804 * 3/1990 Frinier D6/361
- D. 310,921 * 10/1990 Nagengast et al. D6/361
- D. 325,676 * 4/1992 Parker D6/361
- D. 426,393 * 6/2000 Saad Rionda D6/361

1 Claim, 13 Drawing Sheets



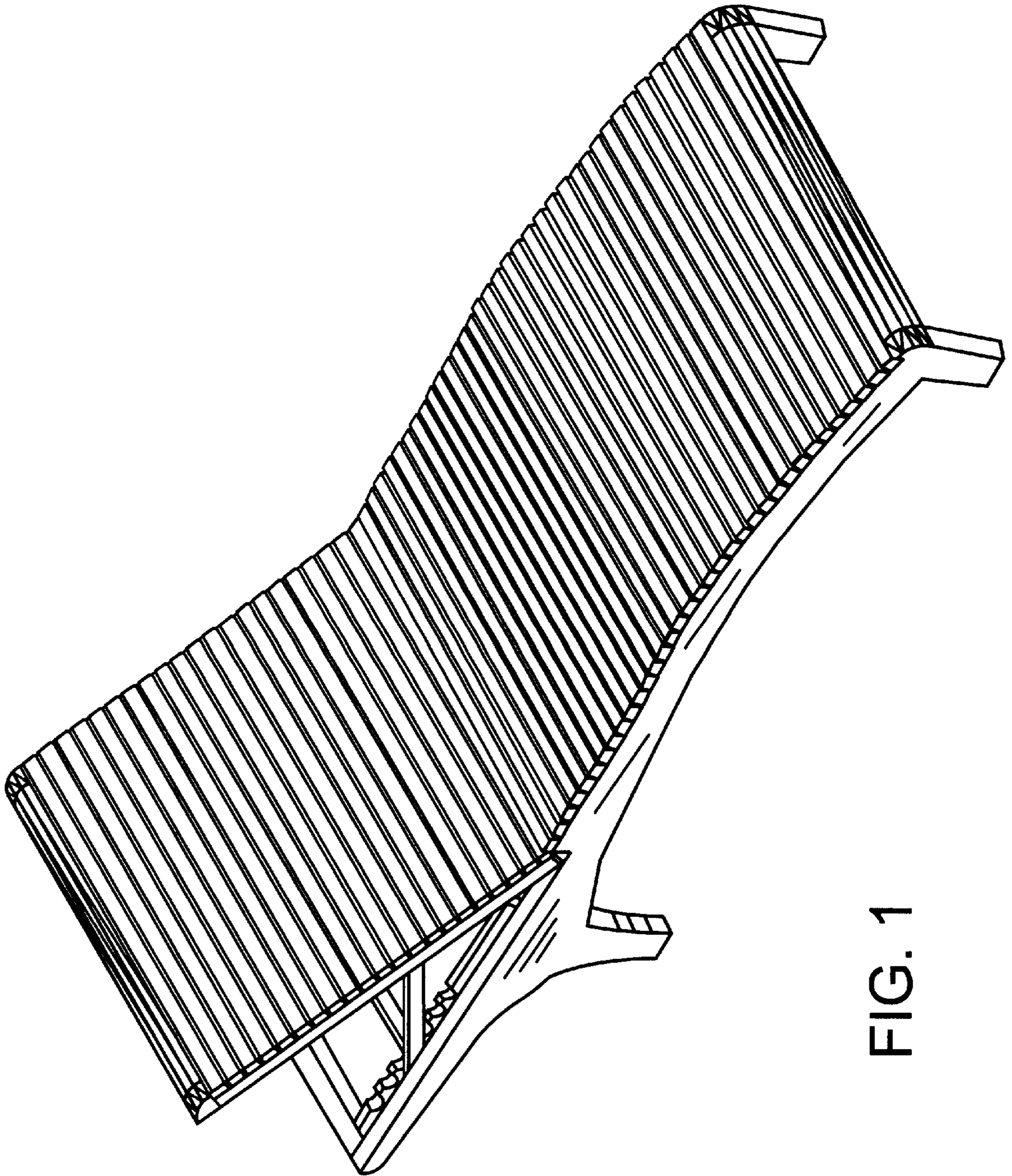


FIG. 1

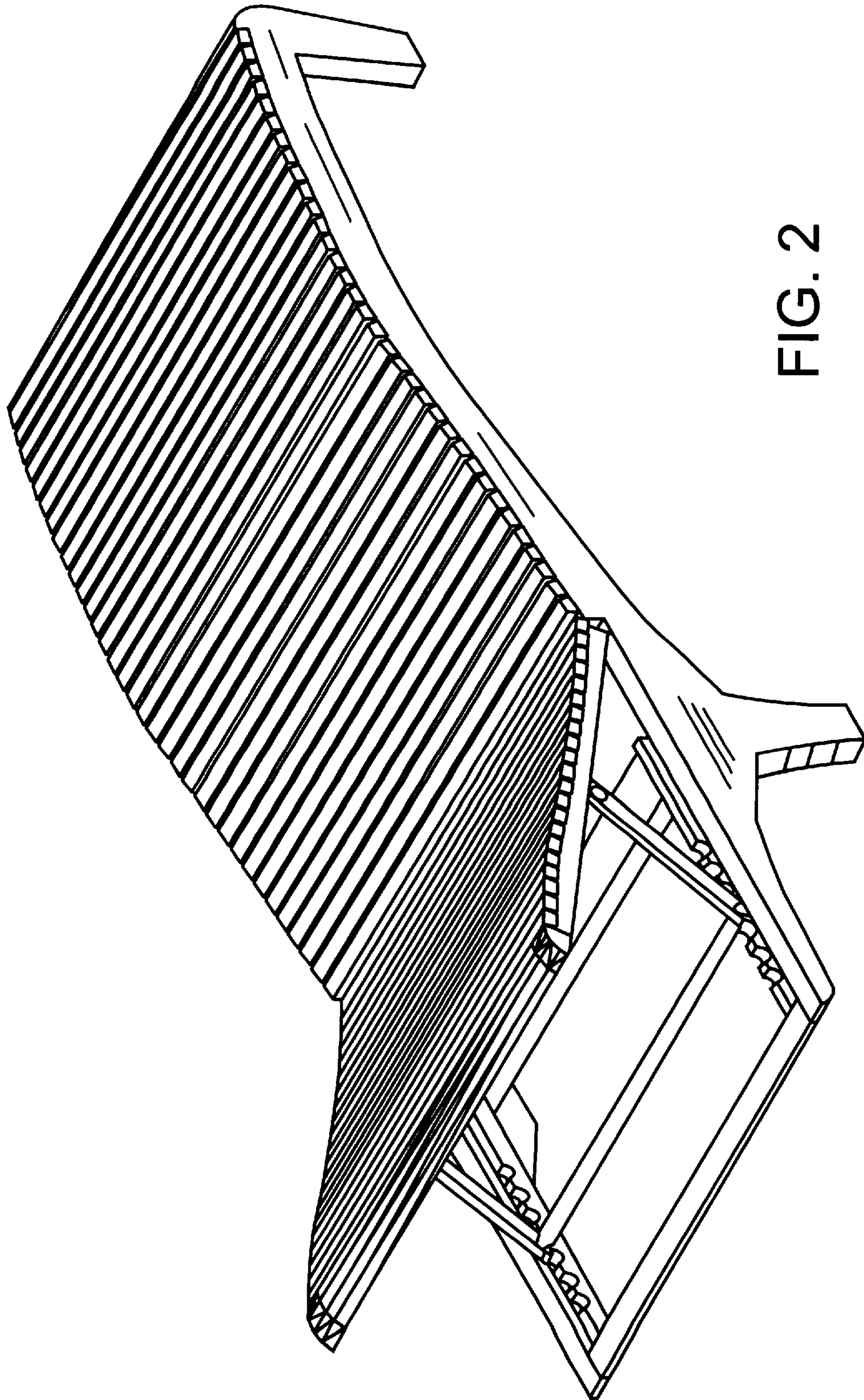


FIG. 2

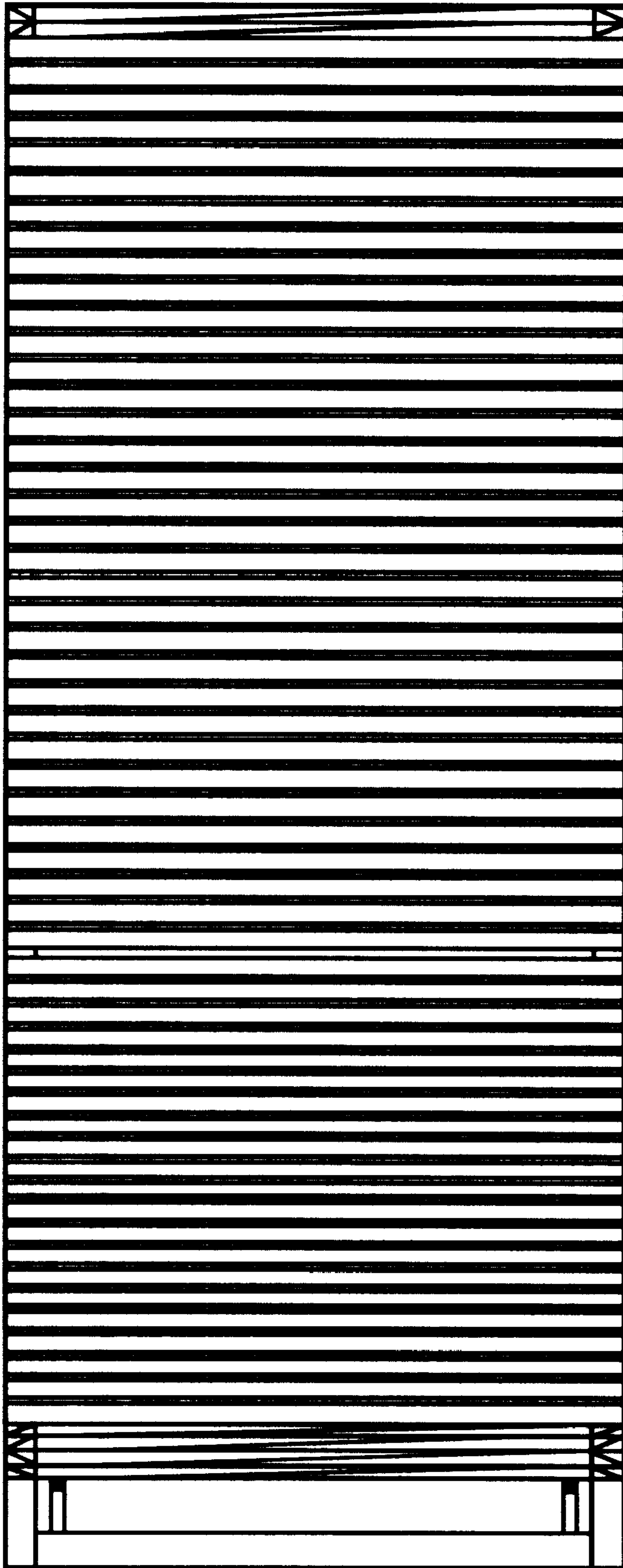


FIG. 3

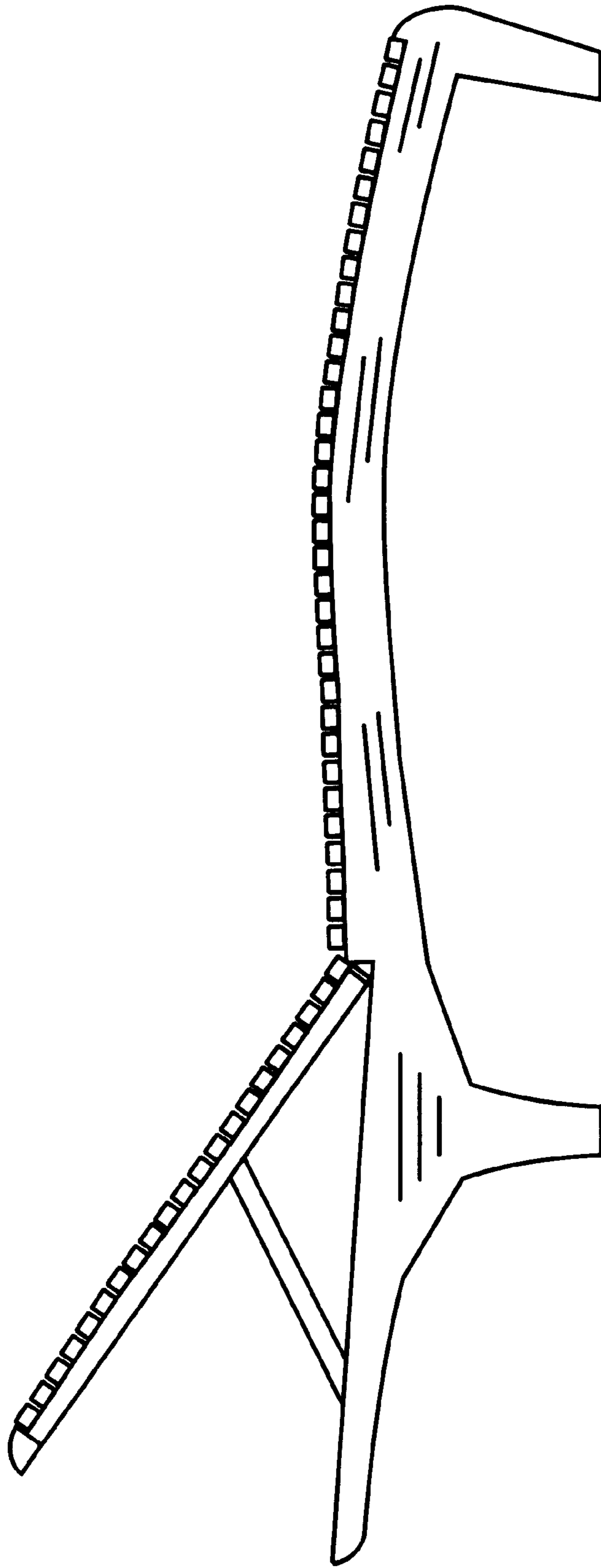


FIG. 4

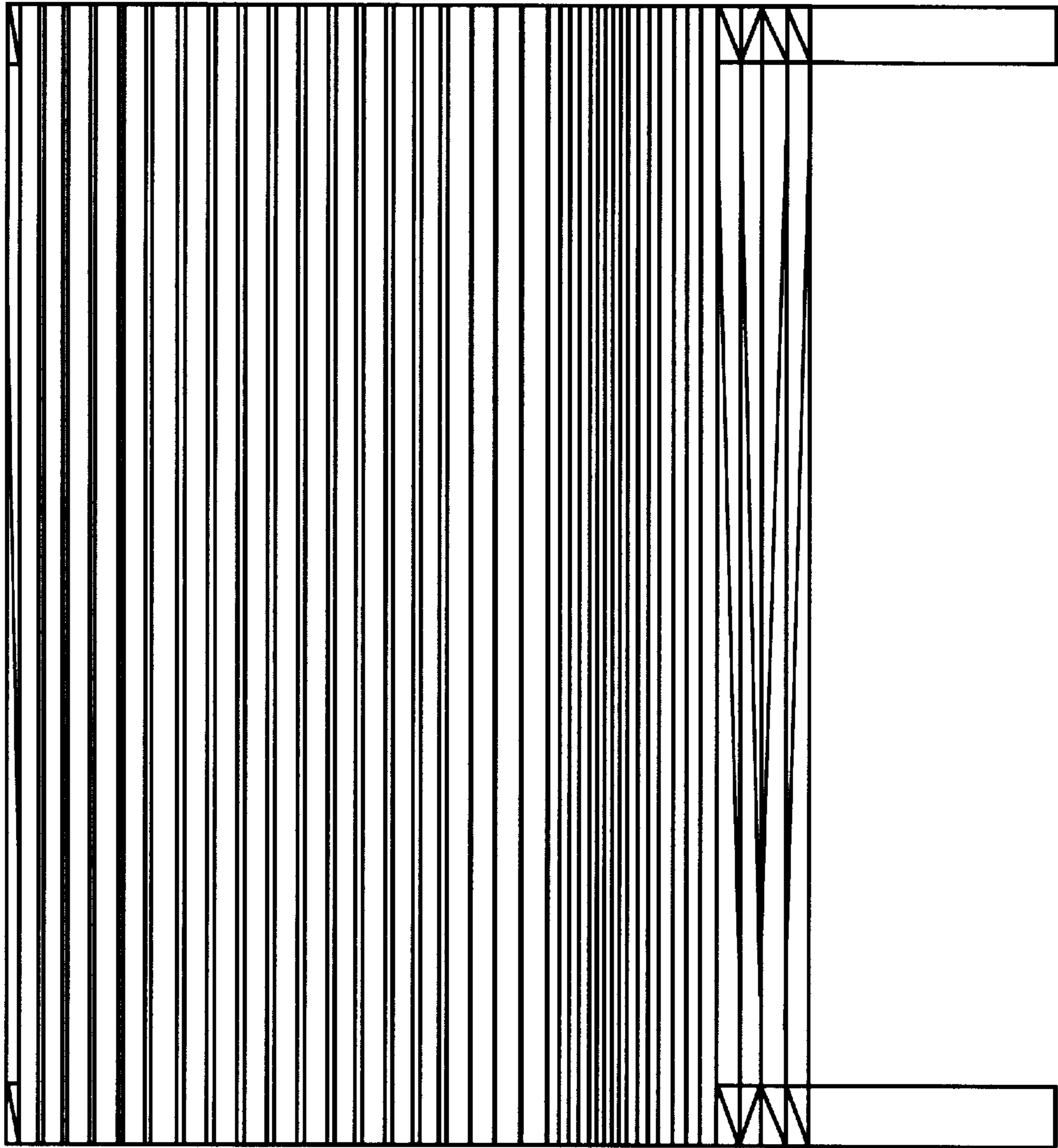


FIG. 5

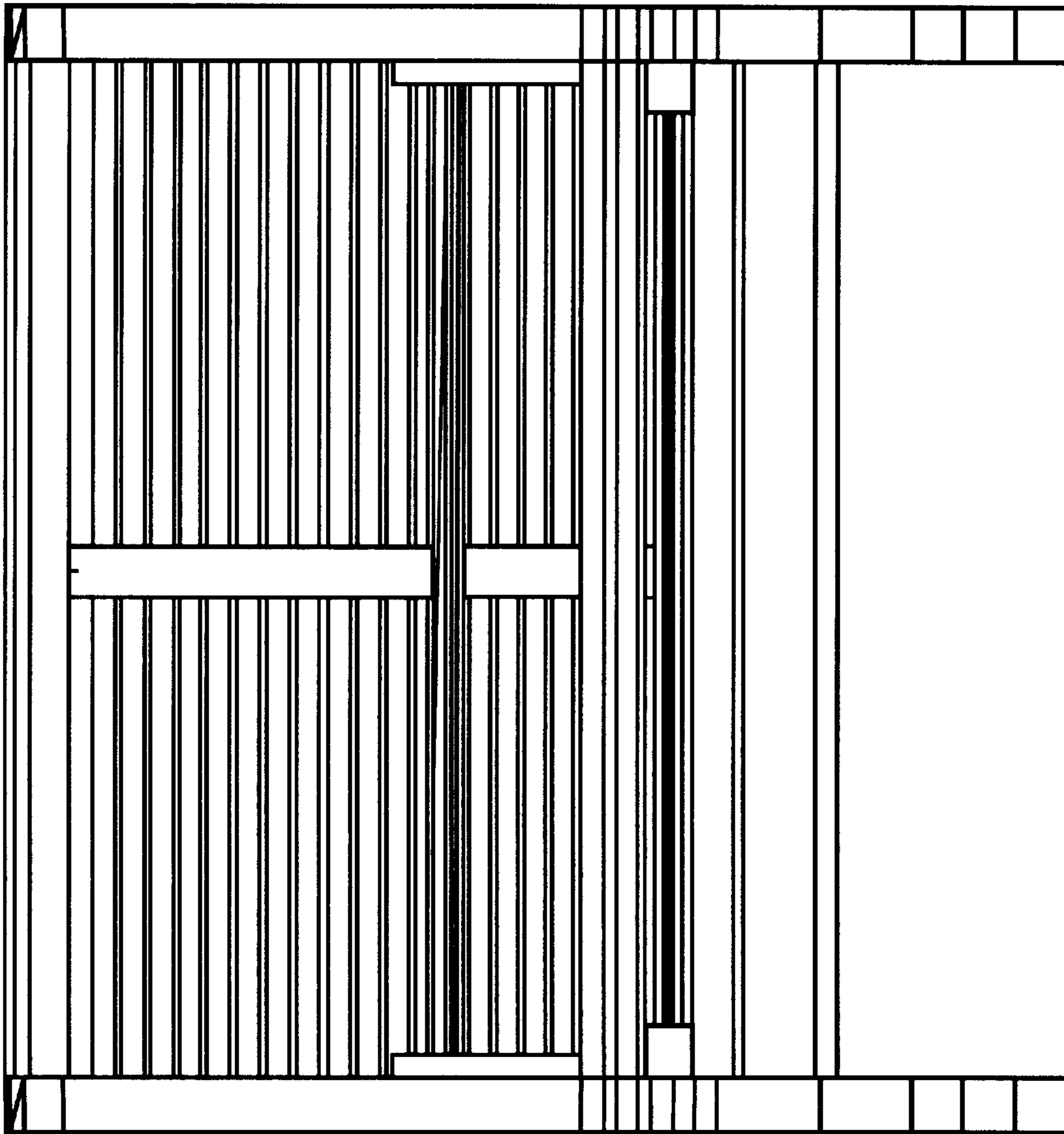


FIG. 6

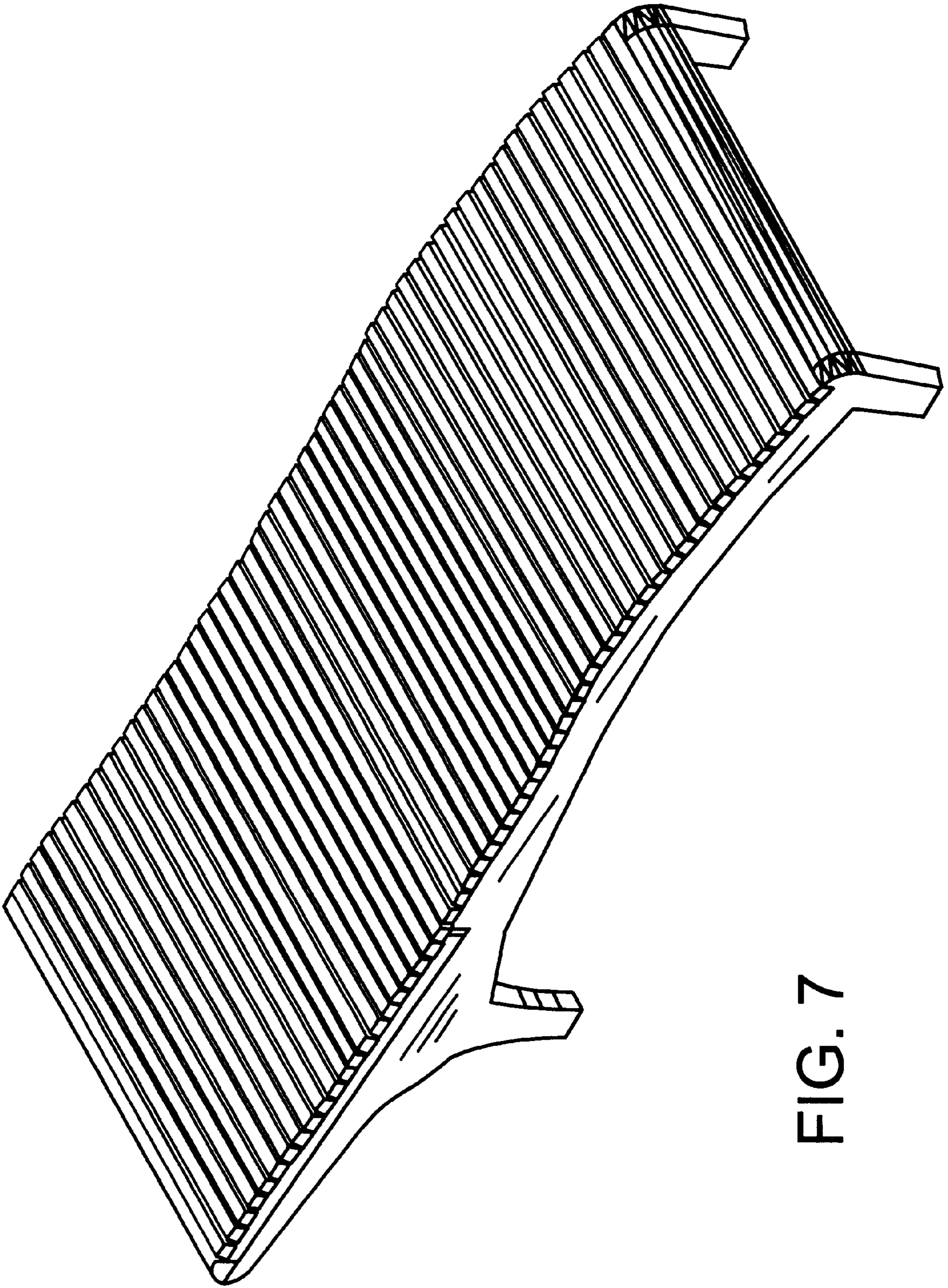


FIG. 7

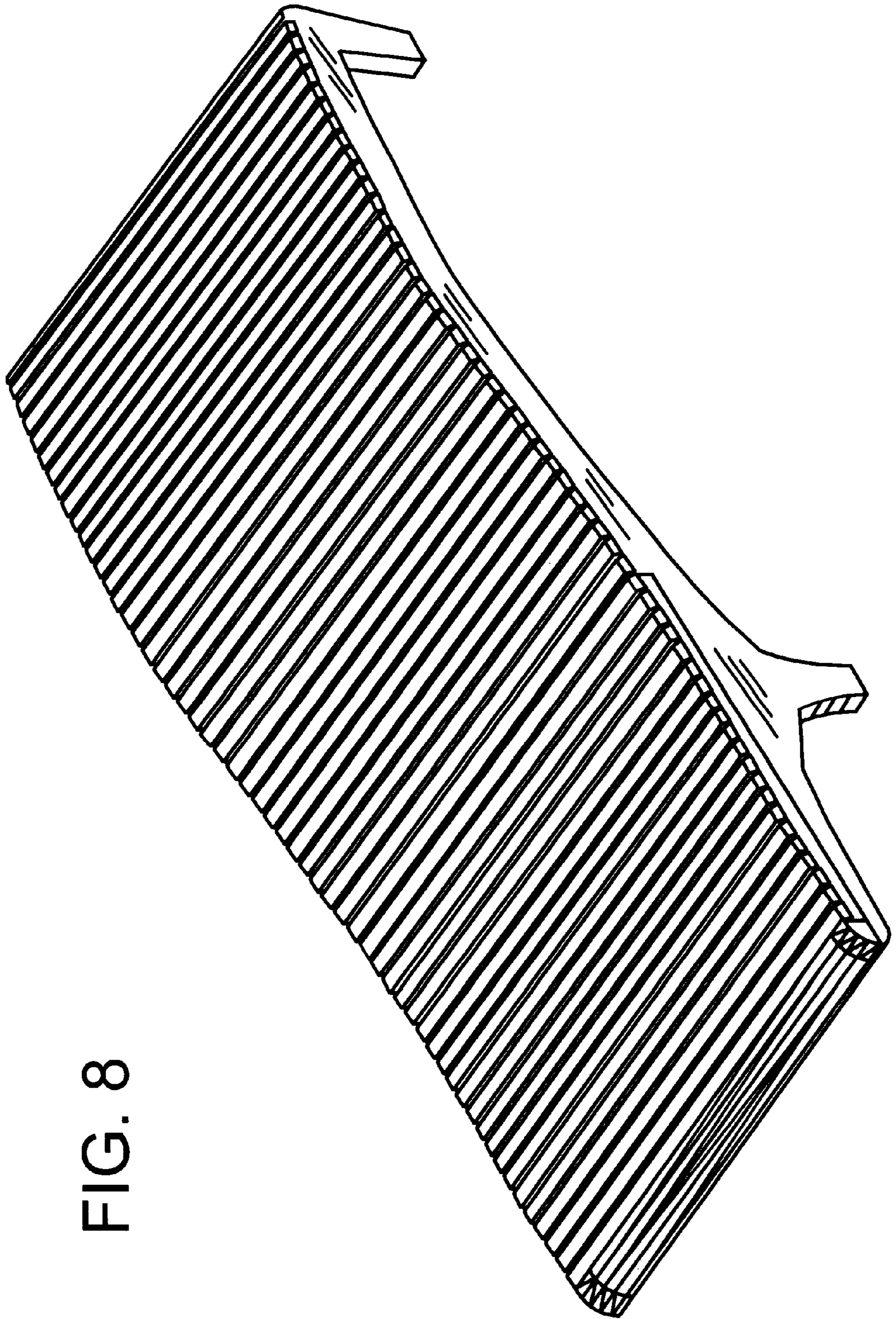


FIG. 8

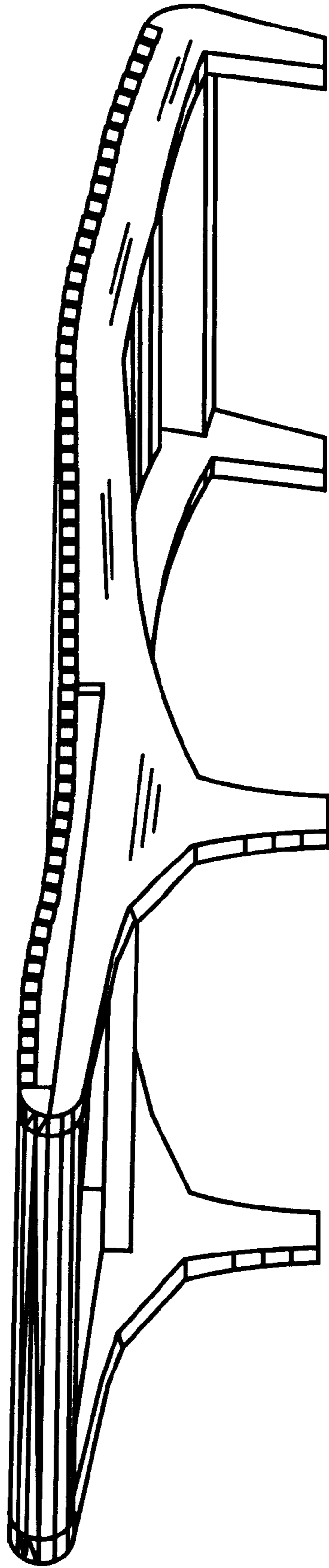


FIG. 9

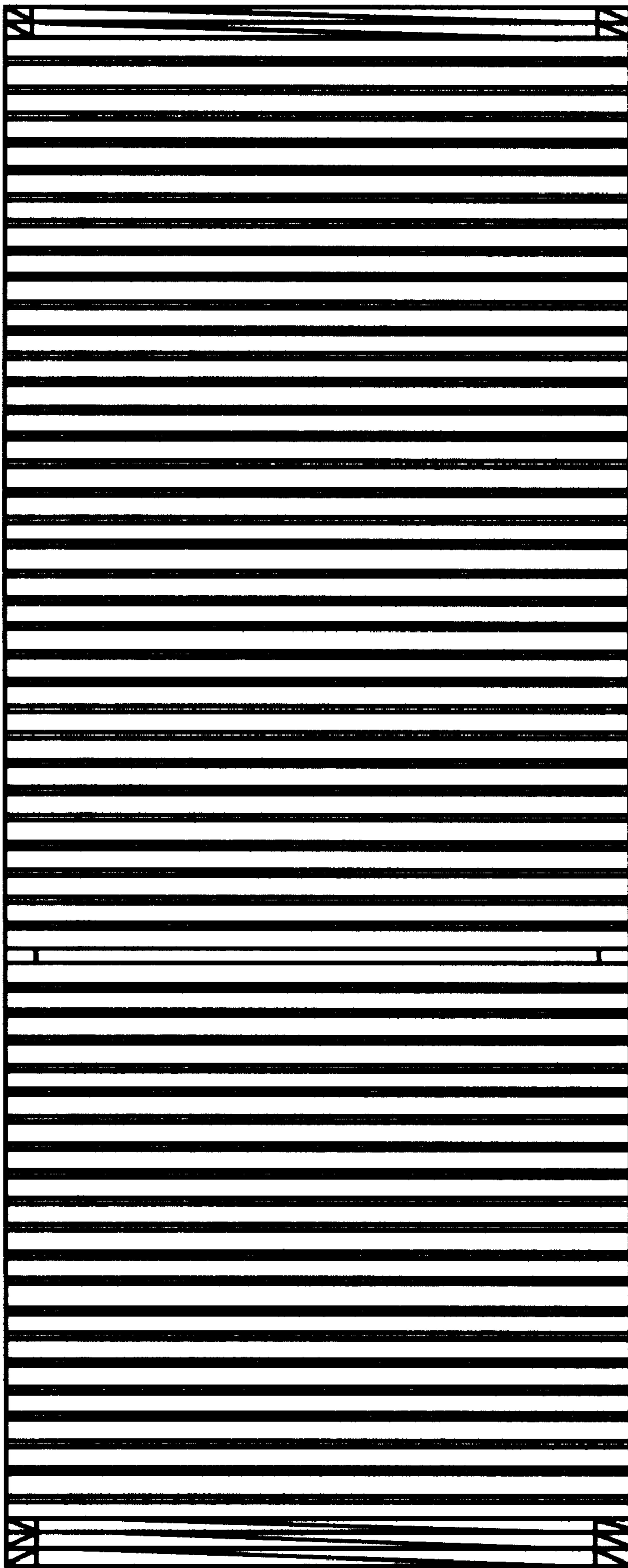


FIG. 10

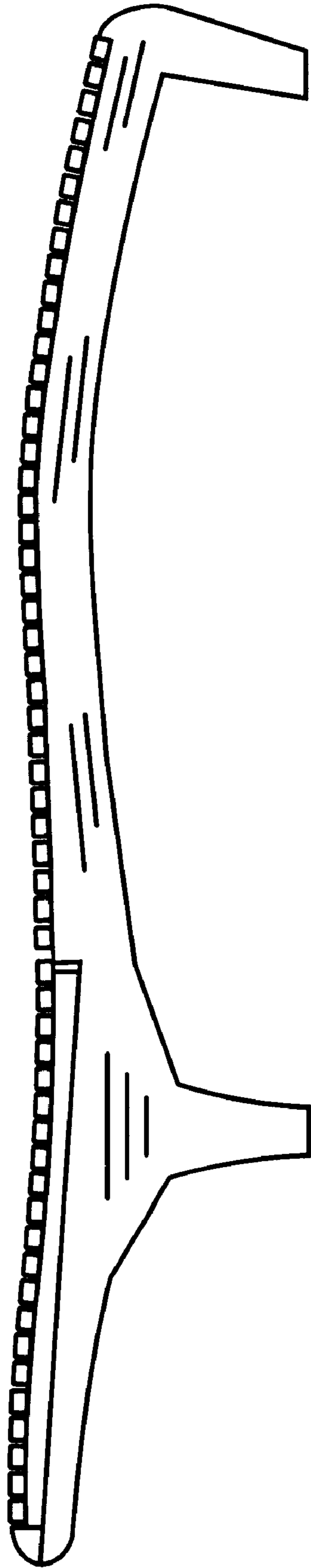


FIG. 11

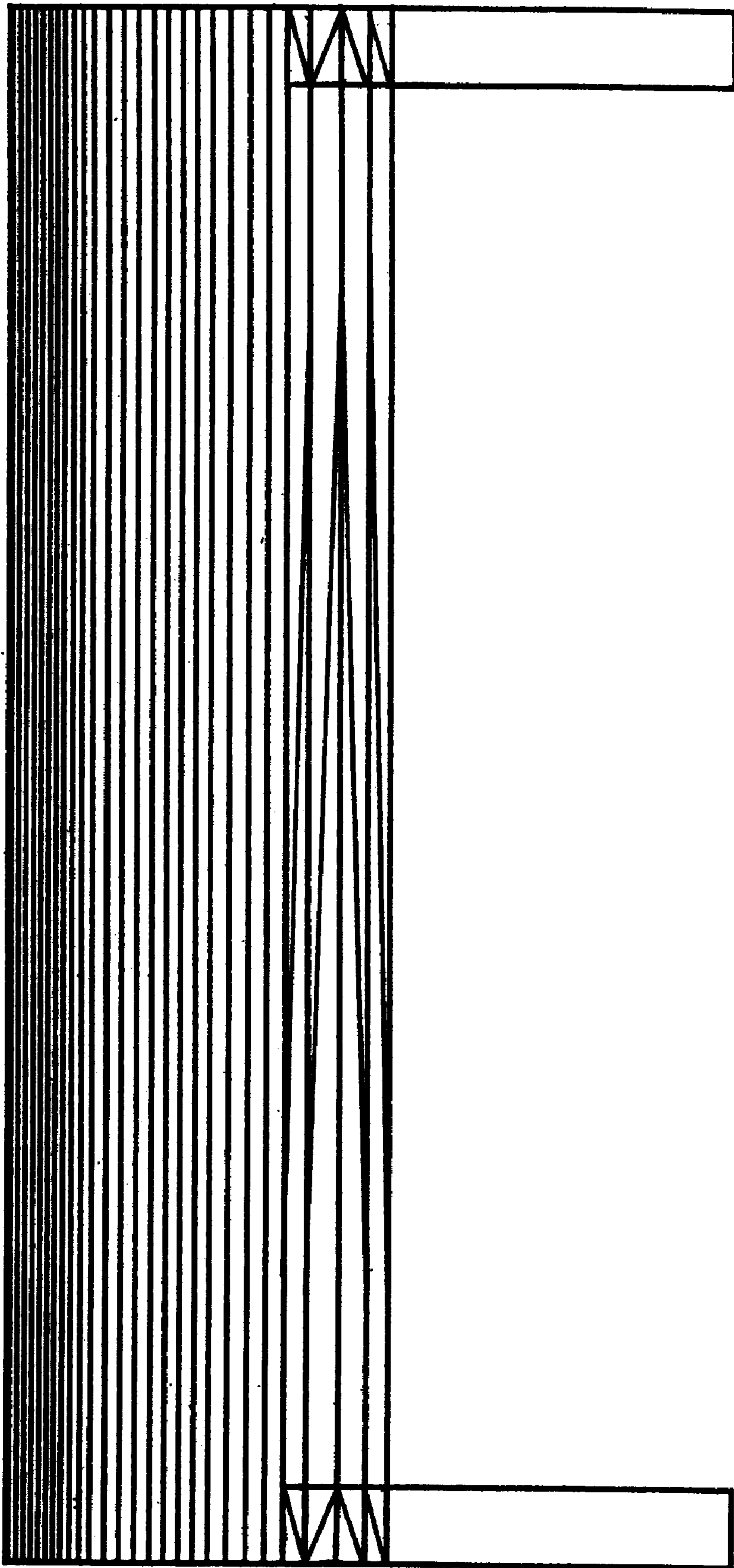


FIG. 12

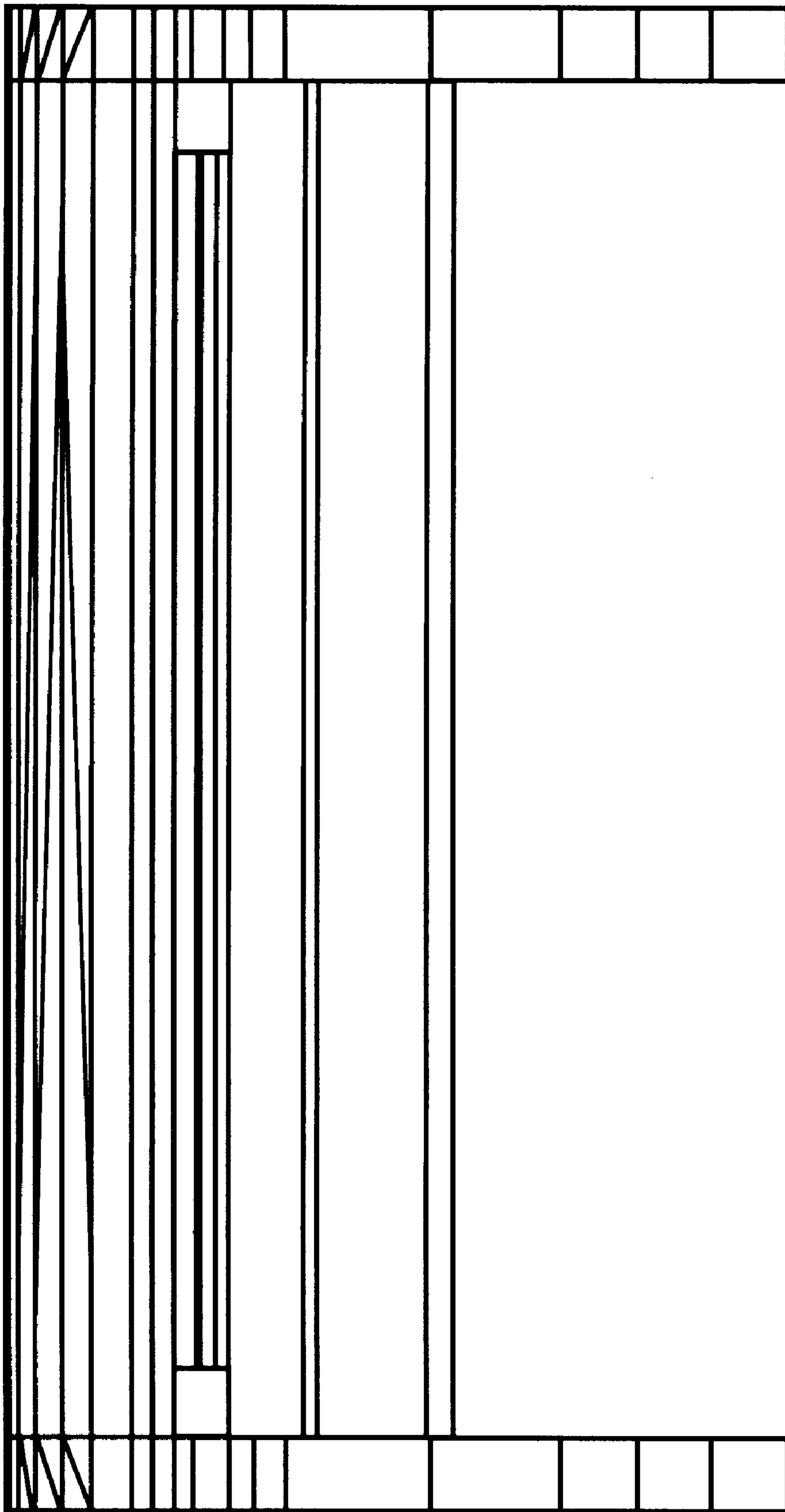


FIG. 13