



US00D439752S

(12) **United States Design Patent**
Natuzzi et al.

(10) **Patent No.:** **US D439,752 S**

(45) **Date of Patent:** **** Apr. 3, 2001**

(54) **CHAIR**

(75) Inventors: **Pasquale Natuzzi**, Bari; **Cosimo Suma**,
Matera, both of (IT)

(73) Assignee: **Industrie Natuzzi SpA**, Bari (IT)

(**) Term: **14 Years**

(21) Appl. No.: **29/120,070**

(22) Filed: **Mar. 14, 2000**

(51) **LOC (7) Cl.** **06-01**

(52) **U.S. Cl.** **D6/334**

(58) **Field of Search** D6/334, 335, 364,
D6/365, 367, 381, 500, 501, 502; 297/445.1

(56) **References Cited**

U.S. PATENT DOCUMENTS

D. 368,377	*	4/1996	Laslo	D6/334
D. 373,911	*	9/1996	Paus	D6/381
D. 403,167	*	12/1998	Hutton	D6/334
D. 418,986	*	1/2000	Natuzzi et al.	D6/334
D. 424,826	*	5/2000	Natuzzi et al.	D6/381

OTHER PUBLICATIONS

Natuzzi Model 109, Oct. 1987, at International Home Furnishings Market in High Point, North Carolina.

Natuzzi Model 117, Oct. 1987, at International Home Furnishings Market in High Point, North Carolina.

Natuzzi Model 121, at least as early as Apr. 1986, at International Home Furnishings Market in High Point, North Carolina.

Natuzzi Model 137, at least as early as Oct. 1986, at International Home Furnishings Market in High Point, North Carolina.

Natuzzi Model 143, at least as early as Oct. 1986, at International Home Furnishings Market in High Point, North Carolina.

Natuzzi Model 147, at least as early as Oct. 1986, at International Home Furnishings Market in High Point, North Carolina.

Natuzzi Model 148, Oct. 1986, at International Home Furnishings Market in High Point, North Carolina.

Natuzzi Model 162, at least as early as Oct. 1989, at International Home Furnishing Market in High Point, North Carolina.

Natuzzi Model 168, at least as early as Oct. 1989, at International Home Furnishings Market in High Point, North Carolina.

Natuzzi Model 493, at least as early as Oct. 1989, at International Home Furnishings Market in High Point, North Carolina.

(List continued on next page.)

Primary Examiner—Gary D. Watson

(74) *Attorney, Agent, or Firm*—Alston & Bird LLP

(57) **CLAIM**

The ornamental design for a chair, as shown and described.

DESCRIPTION

FIG. 1 is a perspective view of our new design;

FIG. 2 is a front elevational view thereof;

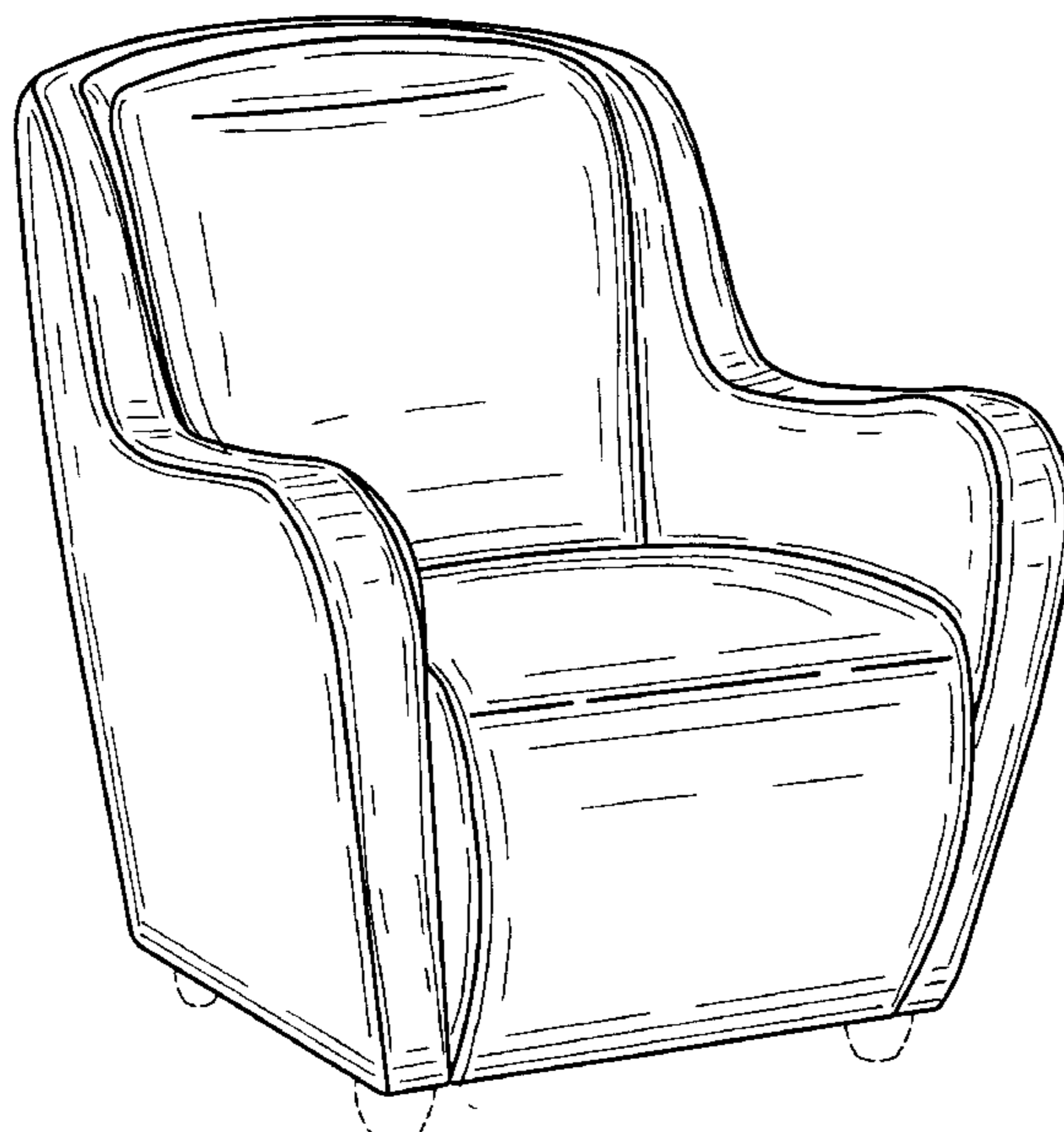
FIG. 3 is a top plan view thereof;

FIG. 4 is a right side elevational view, the left side being a mirror image thereof; and,

FIG. 5 is a rear elevational view thereof.

The broken lines shown herein are for illustrative purposes only and form no part of the claimed design.

1 Claim, 3 Drawing Sheets

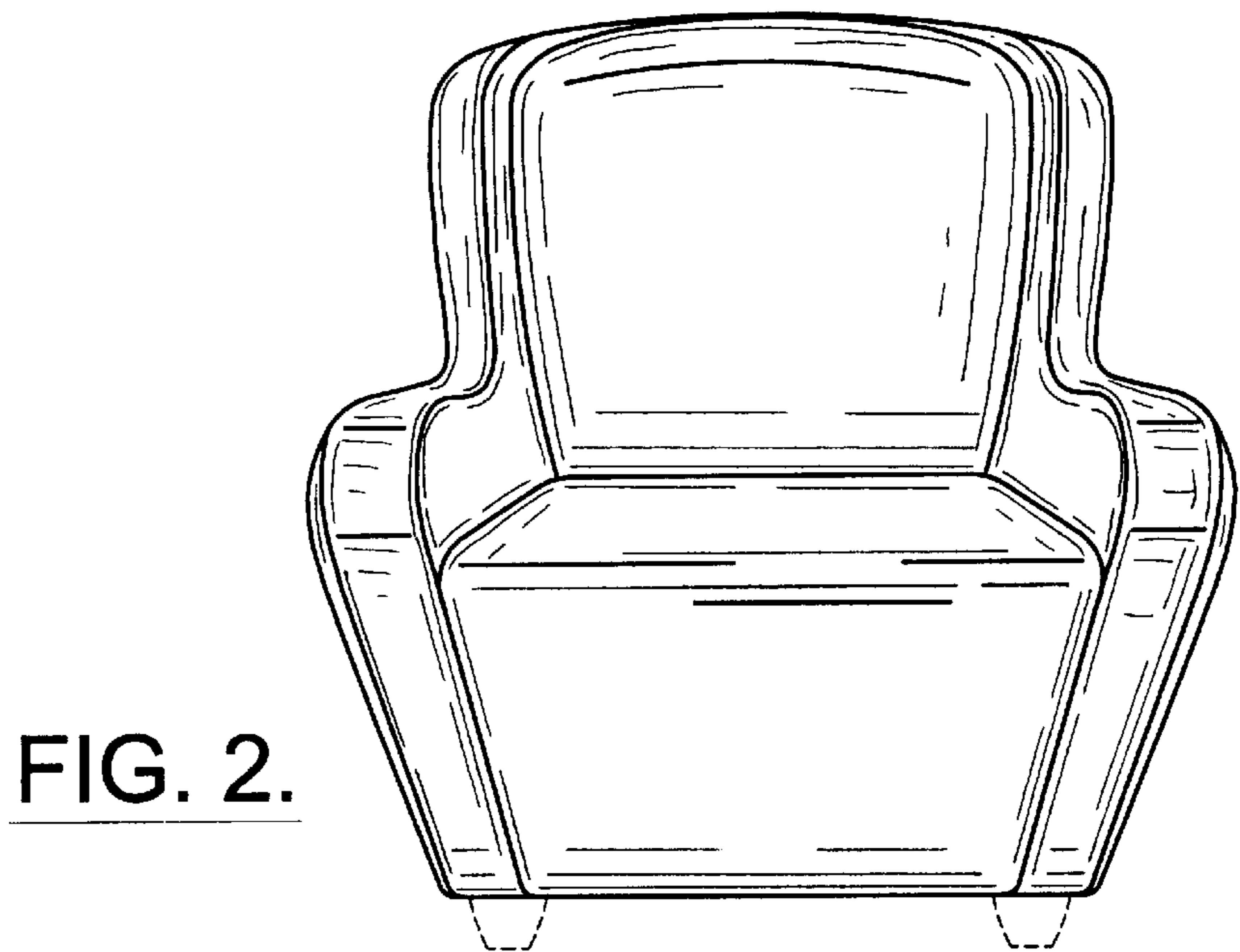
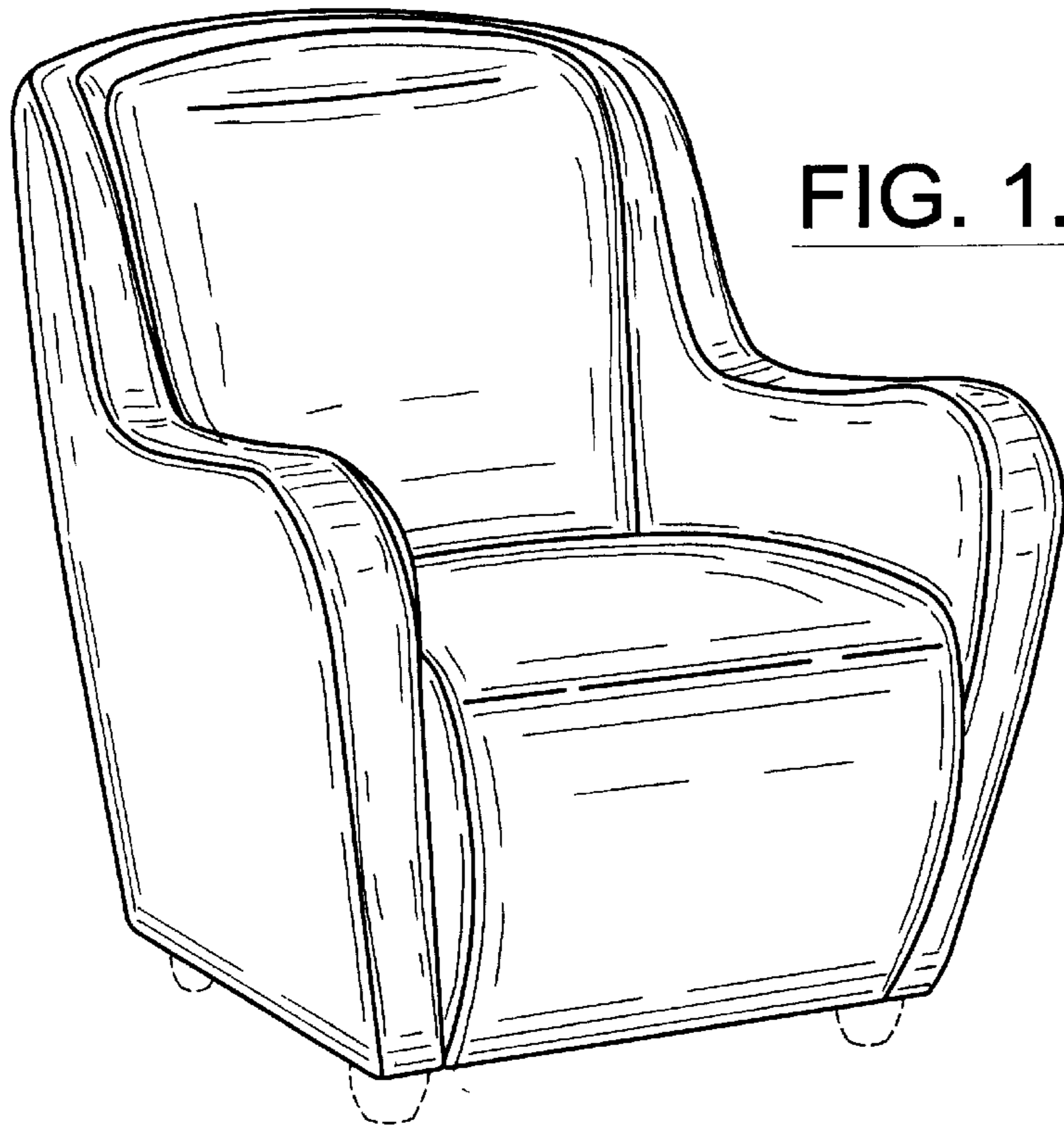


OTHER PUBLICATIONS

Natuzzi Model 728, Oct. 1989, at International Home Furnishings Market in High Point, North Carolina.
Natuzzi Model 775, Oct. 1990, at International Home Furnishings Market in High Point, North Carolina.
Natuzzi Model 823, Nov. 1990, at International Home Furnishings Market in High Point, North Carolina.
Natuzzi Model 825, Nov. 1990, at International Home Furnishings Market in High Point, North Carolina.
Natuzzi Model 835, Apr. 1991, at International Home Furnishings Market in High Point, North Carolina.
Natuzzi Model 863, Oct. 1991, at International Home Furnishings Market in High Point, North Carolina.
Natuzzi Model 887, Oct. 1991, at International Home Furnishings Market in High Point, North Carolina.
Natuzzi Model 916, Apr. 1992, at International Home Furnishings Market in High Point, North Carolina.
Natuzzi Model 922, Apr. 1992, at International Home Furnishings Market in High Point, North Carolina.
Natuzzi Model 998, Oct. 1992, at International Home Furnishings Market in High Point, North Carolina.
Natuzzi Model 1009, Apr. 1993, at International Home Furnishings Market in High Point, North Carolina.
Natuzzi Model 1025, Apr. 1993, at International Home Furnishings Market in High Point, North Carolina.
Natuzzi Model 1031, Apr. 1993, at International Home Furnishings Market in High Point, North Carolina.
Natuzzi Model 1046, Apr. 1993, at International Home Furnishings Market in High Point, North Carolina.
Natuzzi Model 1047, Apr. 1993, at International Home Furnishings Market in High Point, North Carolina.
Natuzzi Model 1063, Oct. 1993, at International Home Furnishings Market in High Point, North Carolina.
Natuzzi Model 1067, Oct. 1993, at International Home Furnishings Market in High Point, North Carolina.

Natuzzi Model 1079, Oct. 1993, at International Home Furnishings Market in High Point, North Carolina.
Natuzzi Model 1113, Oct. 1993, at International Home Furnishings Market in High Point, North Carolina.
Natuzzi Model 1195, Oct. 1994, at International Home Furnishings Market in High Point, North Carolina.
Natuzzi Model 1205, Oct. 1994, at International Home Furnishings Market in High Point, North Carolina.
Natuzzi Model 1208, Oct. 1994, at International Home Furnishings Market in High Point, North Carolina.
Natuzzi Model 1281, Apr. 1995, at International Home Furnishings Market in High Point, North Carolina.
Natuzzi Model 1305, Apr. 1995, at International Home Furnishings Market in High Point, North Carolina.
Natuzzi Model 1308, Apr. 1995, at International Home Furnishings Market in High Point, North Carolina.
Natuzzi Model 1408, Mar. 1996, at International Home Furnishings Market in High Point, North Carolina.
Natuzzi Model 1412, Apr. 1996, at International Home Furnishings Market in High Point, North Carolina.
Natuzzi Model 1414, Mar. 1996, at International Home Furnishings Market in High Point, North Carolina.
Natuzzi Model 1593, Mar. 1997, at International Home Furnishings Market in High Point, North Carolina.
Natuzzi Model 1605, Apr. 1997, at International Home Furnishings Market in High Point, North Carolina.
Natuzzi Model 1627, Oct. 1997, at International Home Furnishings Market in High Point, North Carolina.
Natuzzi Model 1633, Oct. 1997, at International Home Furnishings Market in High Point, North Carolina.
Natuzzi Model 1660, Apr. 1998, at International Home Furnishings Market in High Point, North Carolina.
Natuzzi Model 1699, Apr. 1998, at International Home Furnishings Market in High Point, North Carolina.

* cited by examiner



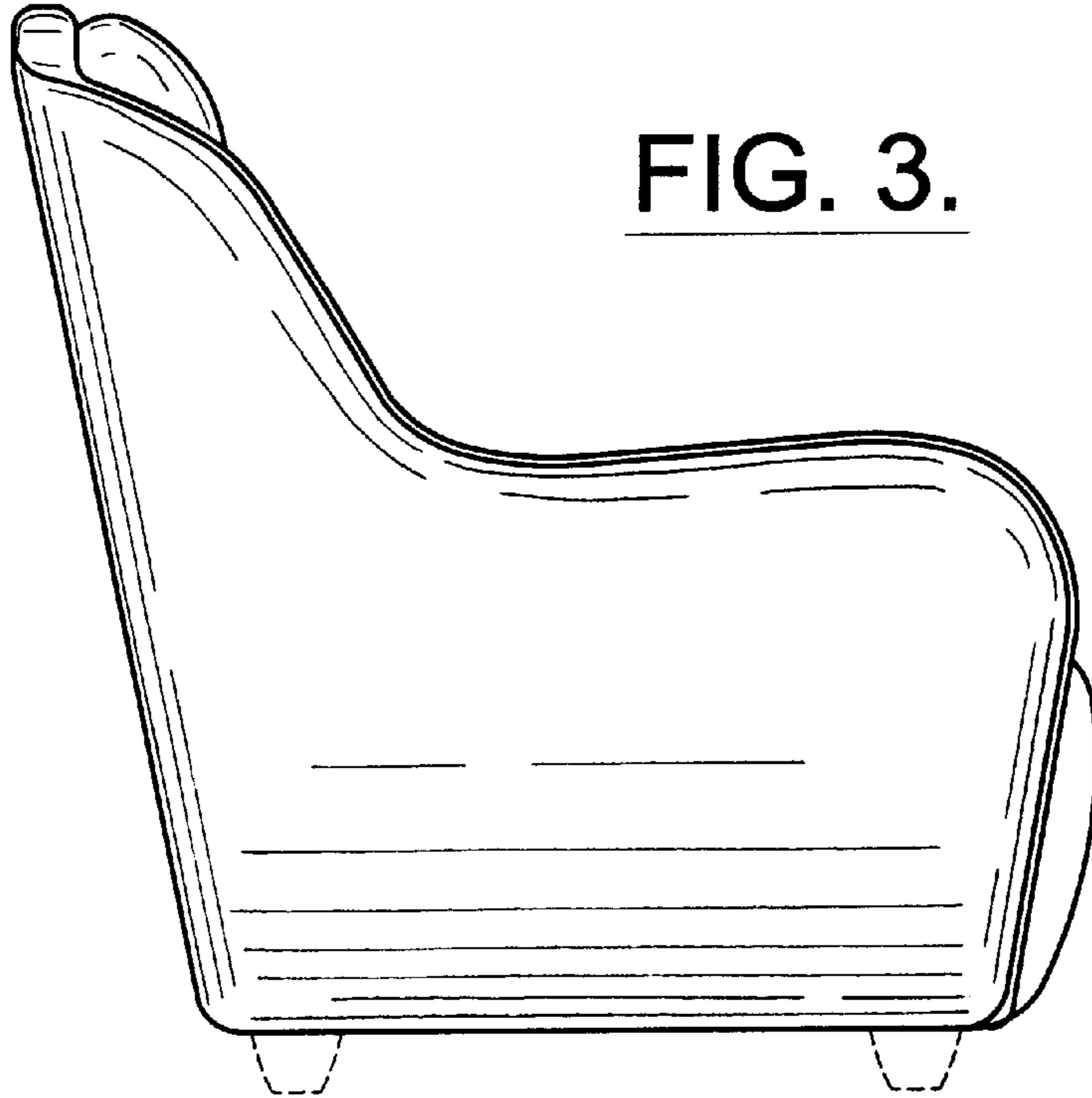


FIG. 3.

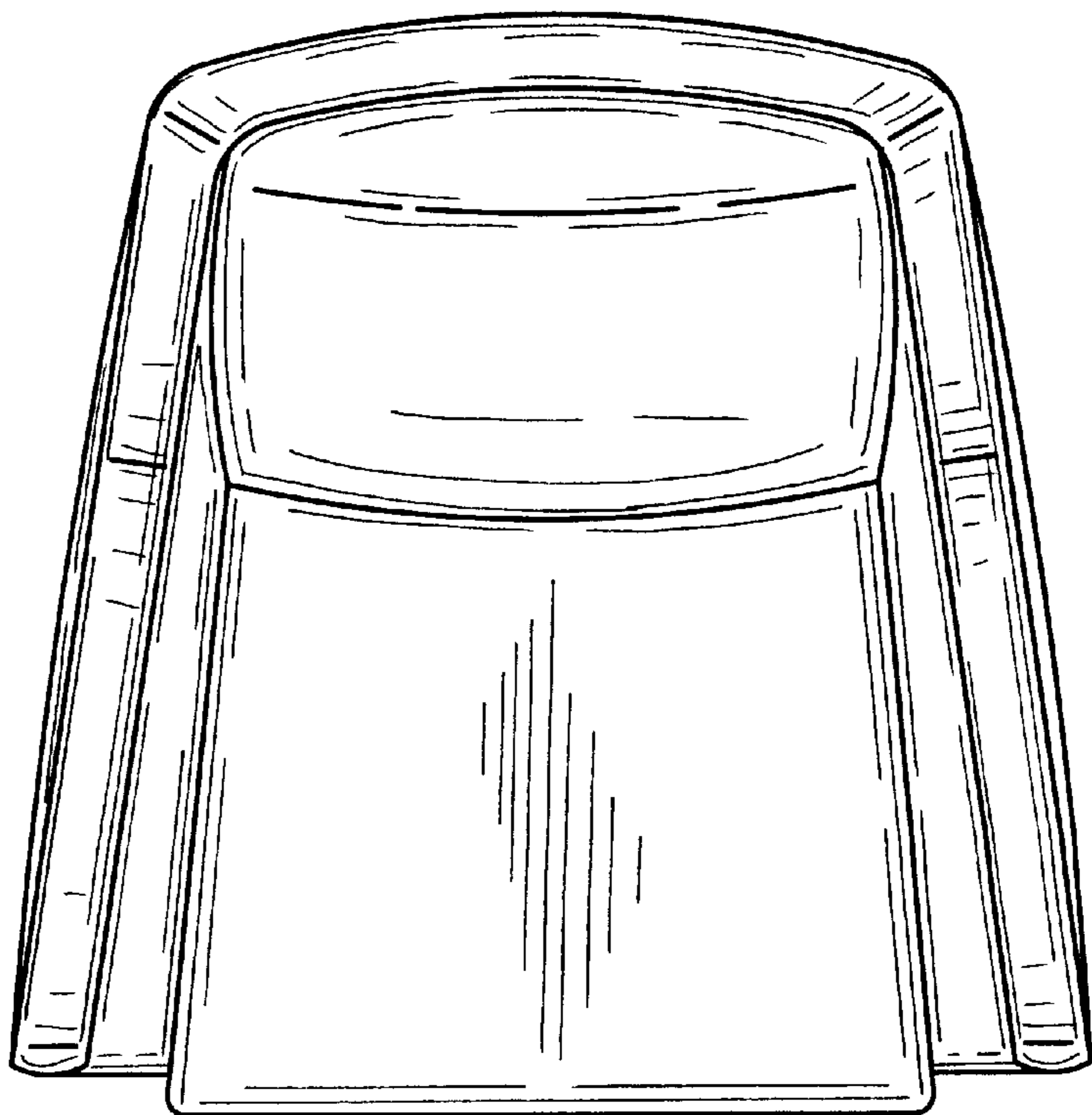


FIG. 4.

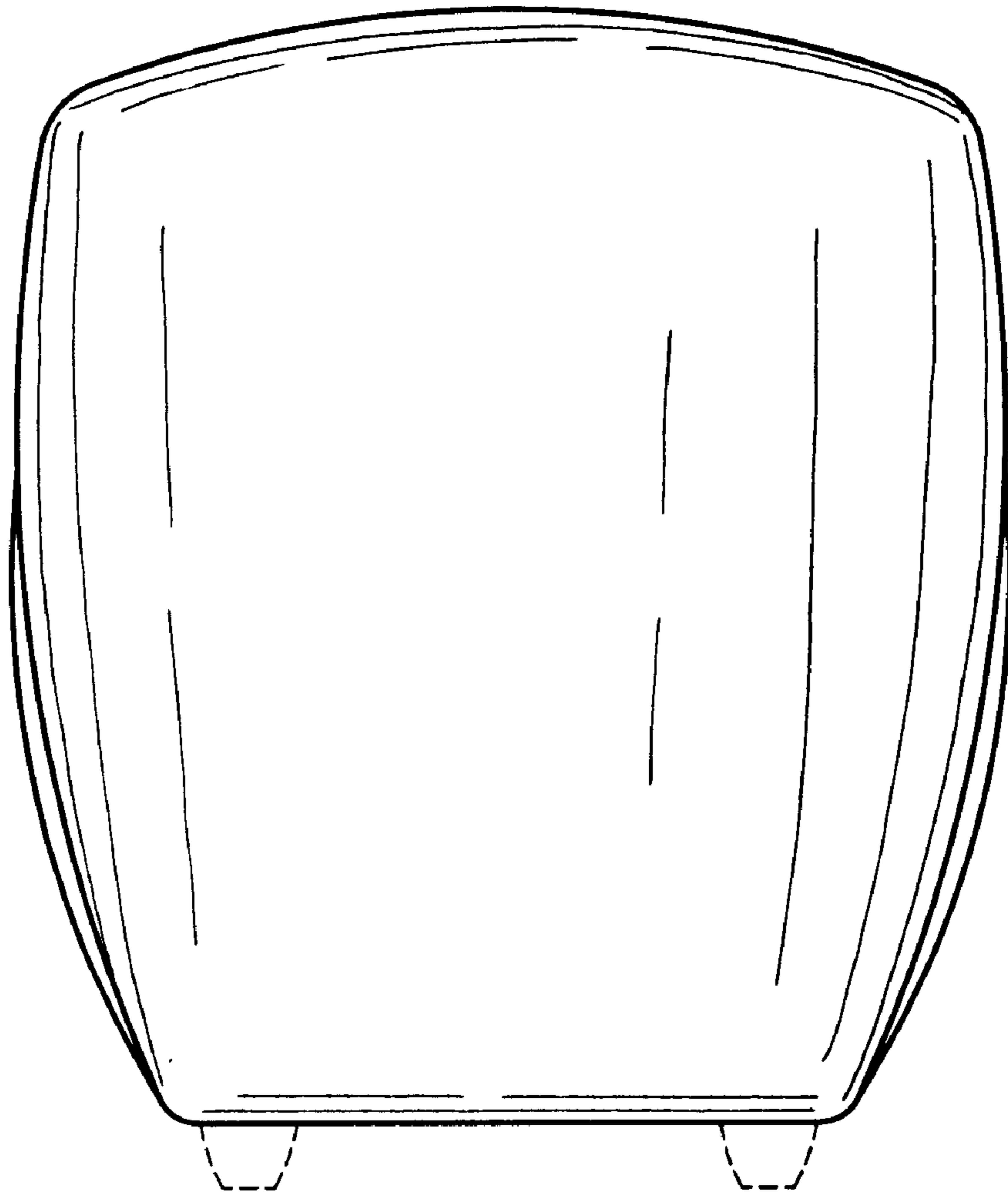


FIG. 5.