



US00D439748S

(12) **United States Design Patent**
Woodnorth et al.

(10) **Patent No.:** **US D439,748 S**

(45) **Date of Patent:** **** Apr. 3, 2001**

(54) **PAINT PAD**

(75) Inventors: **Brian E. Woodnorth**, Whitefish Bay, WI (US); **Brian C. Bone**, Creve Coeur, **Heath A. Doty**, Richmond Heights, both of MO (US); **Kent P. Ritzel**, Waterloo, IL (US); **William Dean Ungar**, St. Louis, MO (US)

4,528,712	7/1985	Leibow .	
4,658,461	* 4/1987	Roe et al.	15/210.1
4,819,294	4/1989	Calvert .	
4,829,623	5/1989	Brezette et al. .	
4,985,958	1/1991	Garcia .	
4,996,735	3/1991	Blankenship .	
5,412,829	5/1995	Hefner .	
5,443,533	8/1995	Magnien .	

(73) Assignee: **Newell Operating Company**, Freeport, IL (US)

(**) Term: **14 Years**

(21) Appl. No.: **29/121,035**

(22) Filed: **Mar. 30, 2000**

(51) **LOC (7) Cl.** **04-04**

(52) **U.S. Cl.** **D4/137; D32/52**

(58) **Field of Search** D4/137, 138; D32/52;
15/208, 209.1, 210.1, 210.5, 244.1; 16/110.1,
430

FOREIGN PATENT DOCUMENTS

880 395 6/1953 (DE) .

* cited by examiner

Primary Examiner—Alan P. Douglas

Assistant Examiner—Lavone Tabor

(74) *Attorney, Agent, or Firm*—Foley & Lardner

(57) **CLAIM**

The ornamental design for a paint pad, as shown and described.

DESCRIPTION

FIG. 1 is a perspective view of a paint pad of the present invention;

FIG. 2 is a rear elevational view thereof, the front elevational view being a mirror image;

FIG. 3 is a right side elevational view thereof;

FIG. 4 is a top plan view thereof; and,

FIG. 5 is a left side elevational view thereof.

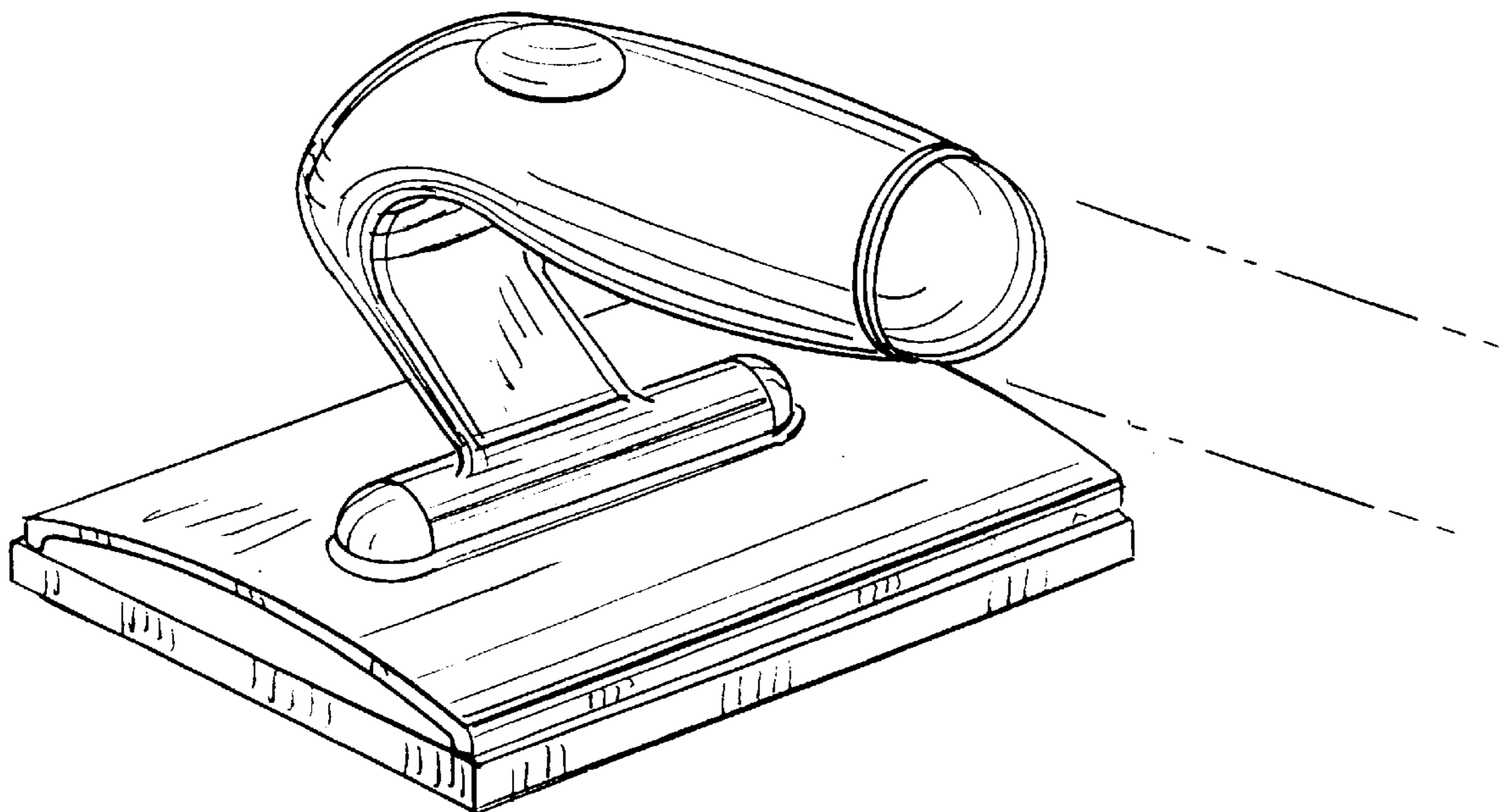
The ornamental design which is claimed is shown in solid lines in the drawings. The broken lines in the drawings are for illustrative purposes only and form no part of the claimed design.

(56) **References Cited**

U.S. PATENT DOCUMENTS

D. 395,169	6/1998	Yang .	
3,059,261	10/1962	Carruth et al. .	
3,346,900	10/1967	Stewart et al. .	
3,717,896	* 2/1973	Chase et al.	15/210.1
3,728,755	4/1973	Whalen .	
4,171,574	10/1979	Gratzl et al. .	
4,215,448	* 8/1980	Burns et al.	15/210.1
4,219,899	9/1980	Zurawin et al. .	
4,244,074	1/1981	Barcikowski et al. .	
4,414,700	11/1983	Burns .	
4,424,603	1/1984	Balint et al. .	

1 Claim, 2 Drawing Sheets



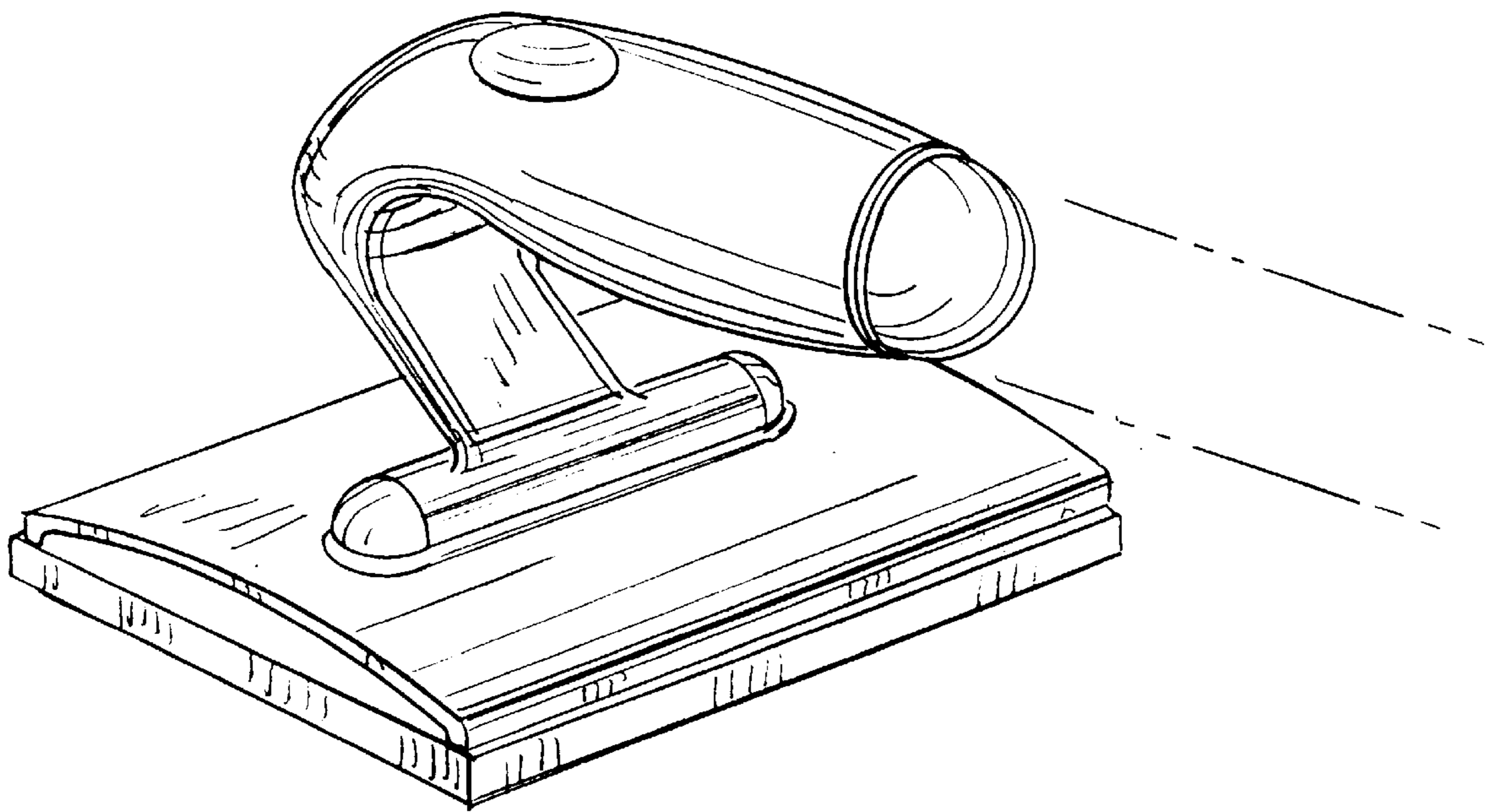


FIG. 1

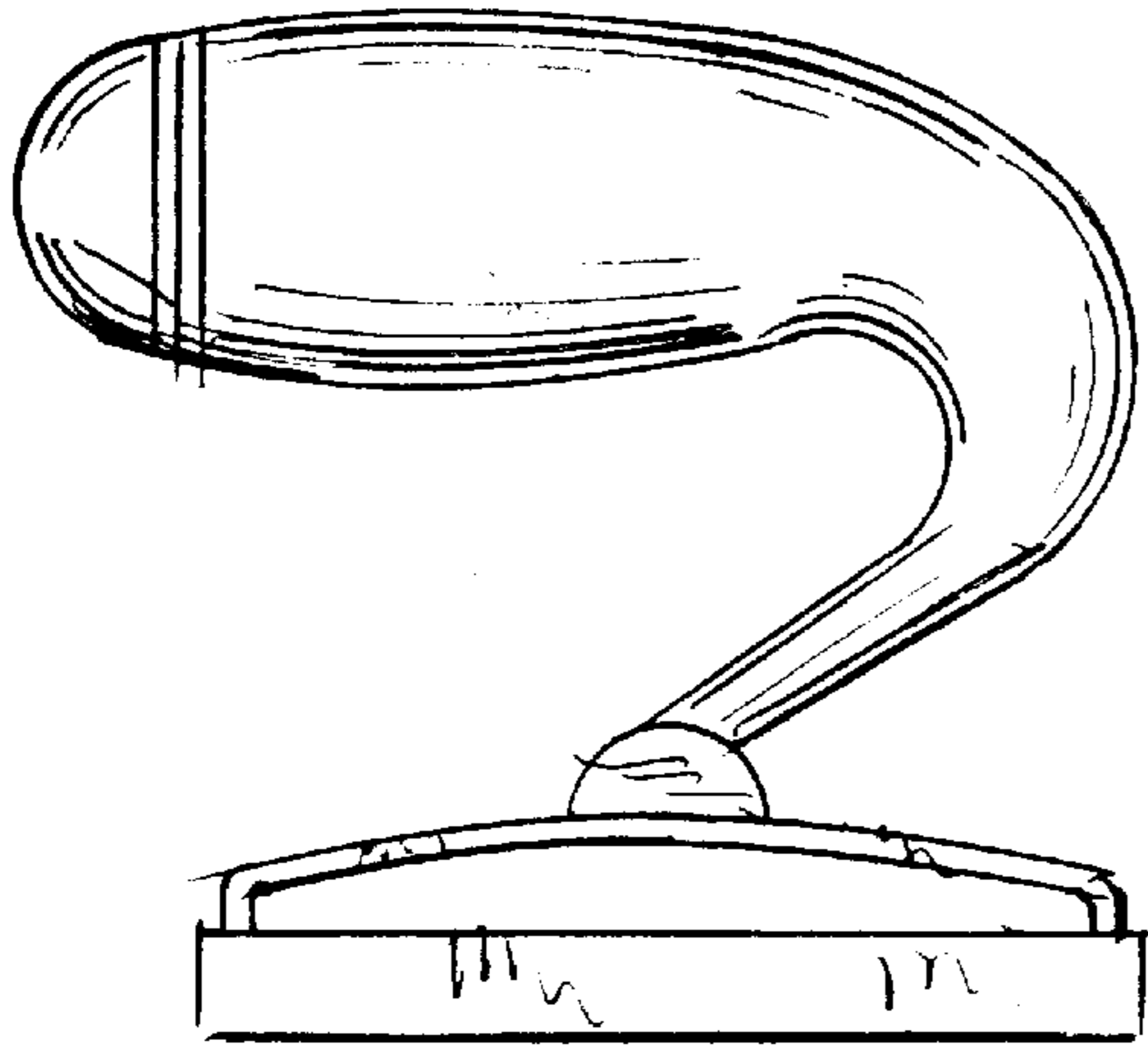


FIG. 2

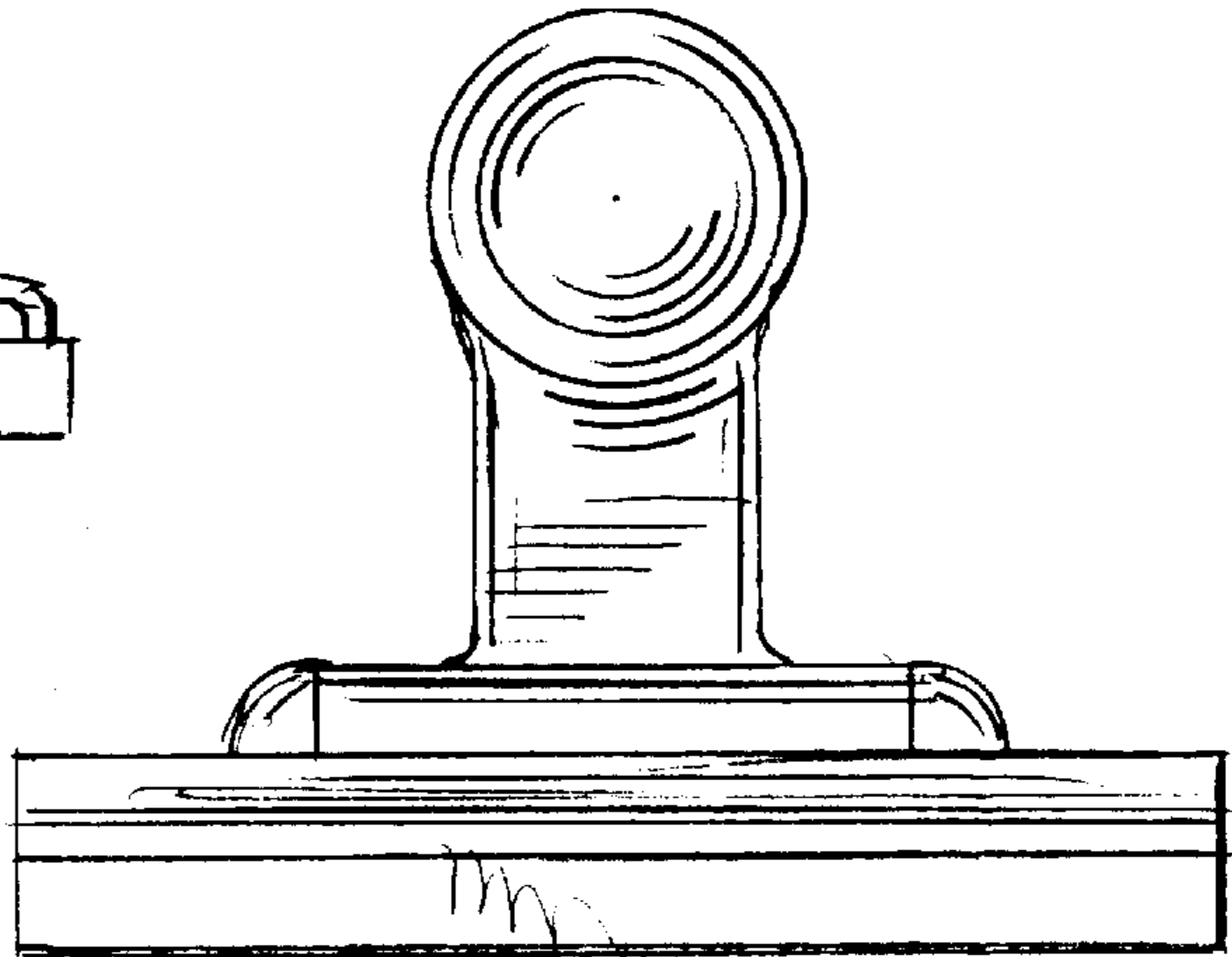


FIG. 3

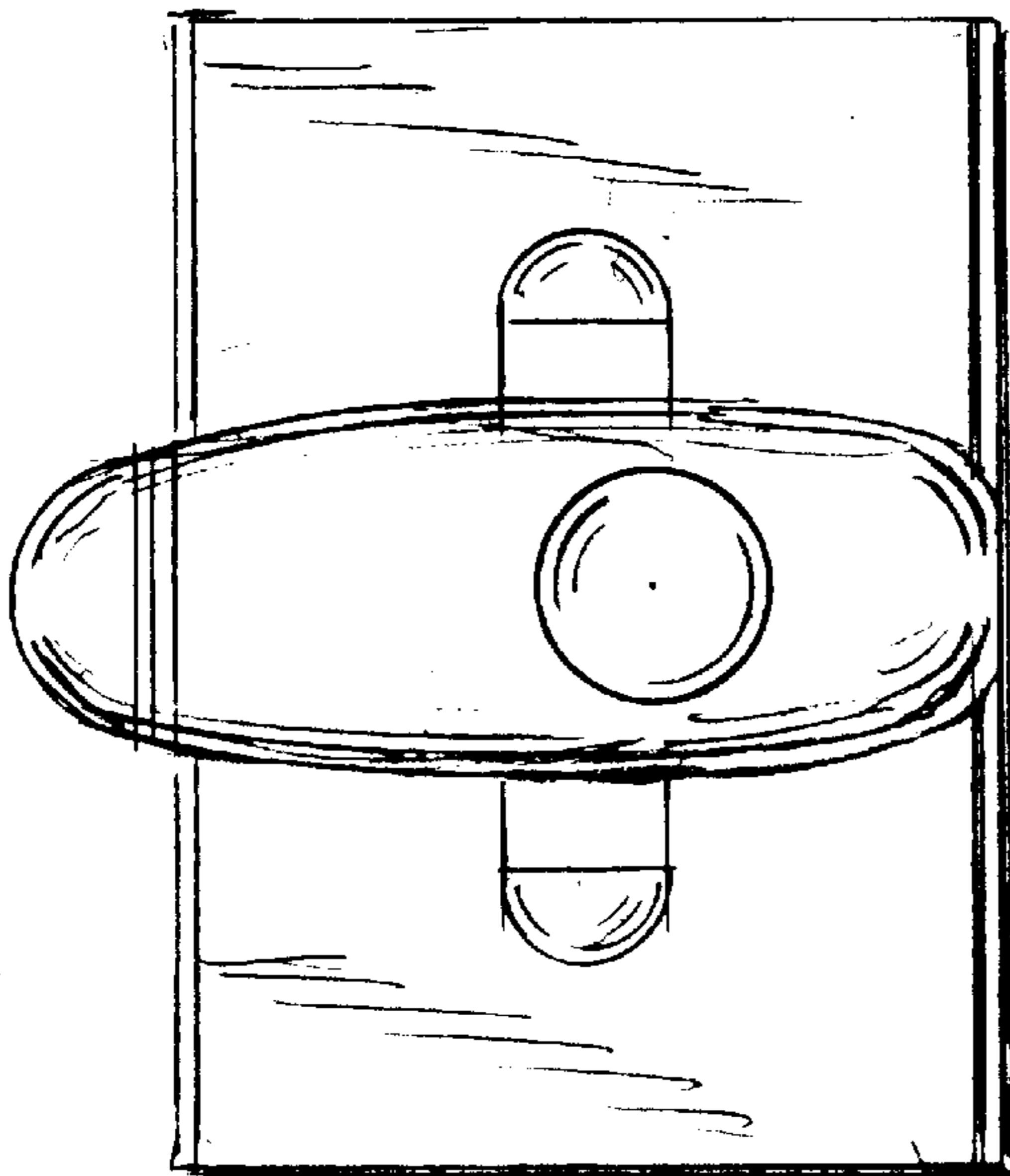


FIG. 4

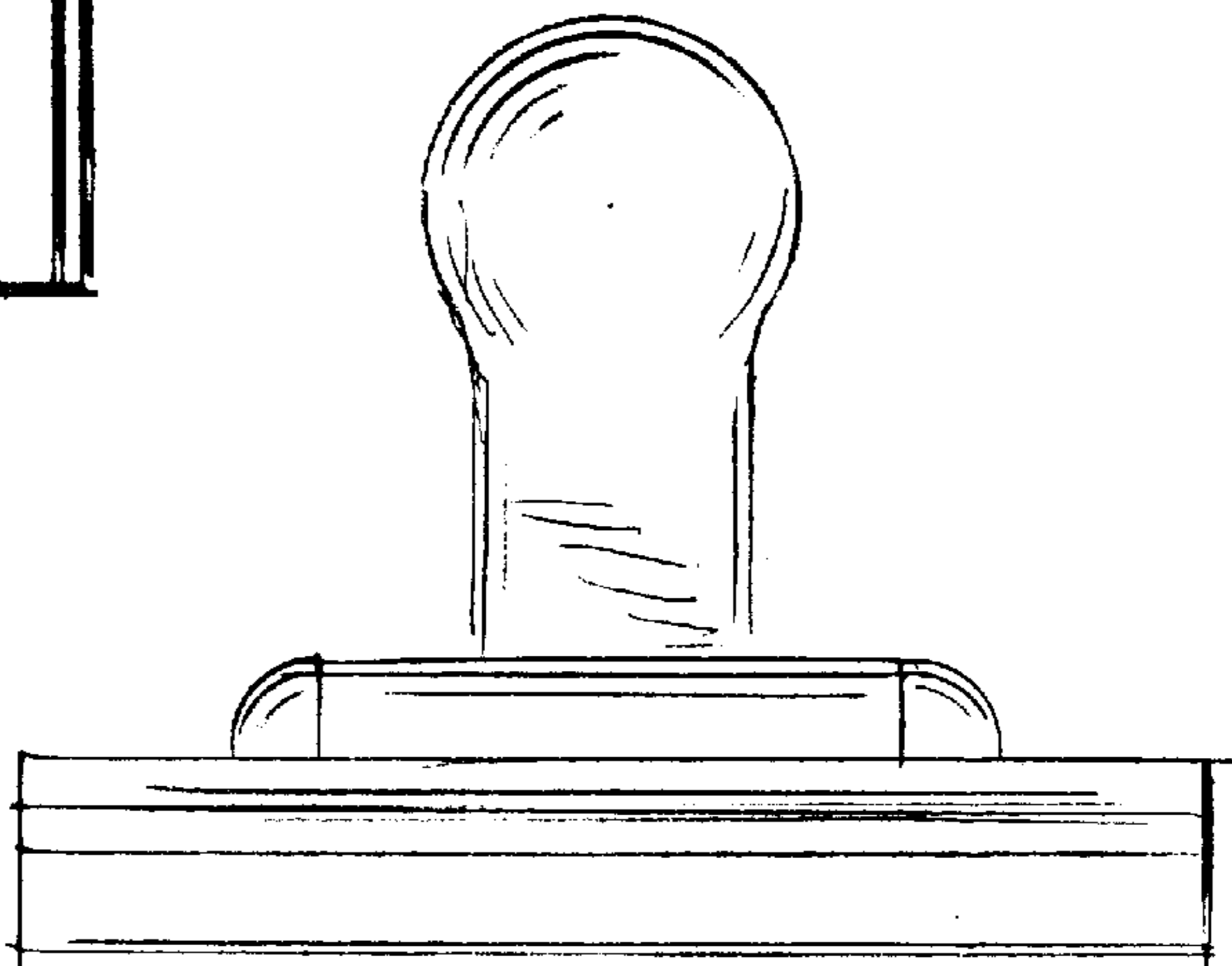


FIG. 5