



US00D439743S

(12) **United States Design Patent**
DeVance

(10) **Patent No.:** **US D439,743 S**

(45) **Date of Patent:** **** Apr. 3, 2001**

(54) **JIGSAW PUZZLE PIECE STORAGE CASE**

(76) Inventor: **Chandra DeVance**, 1040 Abbott La.,
University Park, IL (US) 60466

(**) Term: **14 Years**

(21) Appl. No.: **29/120,702**

(22) Filed: **Mar. 24, 2000**

(51) **LOC (7) Cl.** **03-01**

(52) **U.S. Cl.** **D3/297; D6/432**

(58) **Field of Search** **D3/273, 276, 283,**
D3/295-297; D6/510, 432; 206/315.1, 372,
373; 190/100, 115

(56) **References Cited**

U.S. PATENT DOCUMENTS

D. 120,223	*	4/1940	Horsley	D3/284
D. 318,961	*	8/1991	Edelson	D6/510
D. 327,185	*	6/1992	Ryaa	D6/432
D. 355,551	*	2/1995	McNamara et al.	D6/510
D. 371,172	*	6/1996	Foreshew	D21/479
4,687,202		8/1987	Palma	273/157
4,865,325		9/1989	Stolz	273/157
5,411,261	*	5/1995	Jacques	273/156
5,651,547		7/1997	Rannelli	273/157

* cited by examiner

Primary Examiner—Raphael Barkai

(74) *Attorney, Agent, or Firm*—Goldstein & Canino

(57) **CLAIM**

The ornamental design for a jigsaw puzzle piece storage case, as shown and described.

DESCRIPTION

FIG. 1 is a perspective view of a jigsaw puzzle piece storage case.

FIG. 2 is a perspective view of a jigsaw puzzle piece storage case, in the open position, in full lines with jigsaw puzzle pieces shown in broken lines representing environmental association matter being for illustrative purposes only and forming no part of the claimed invention.

FIG. 3 is a front elevational view of the jigsaw puzzle piece storage case.

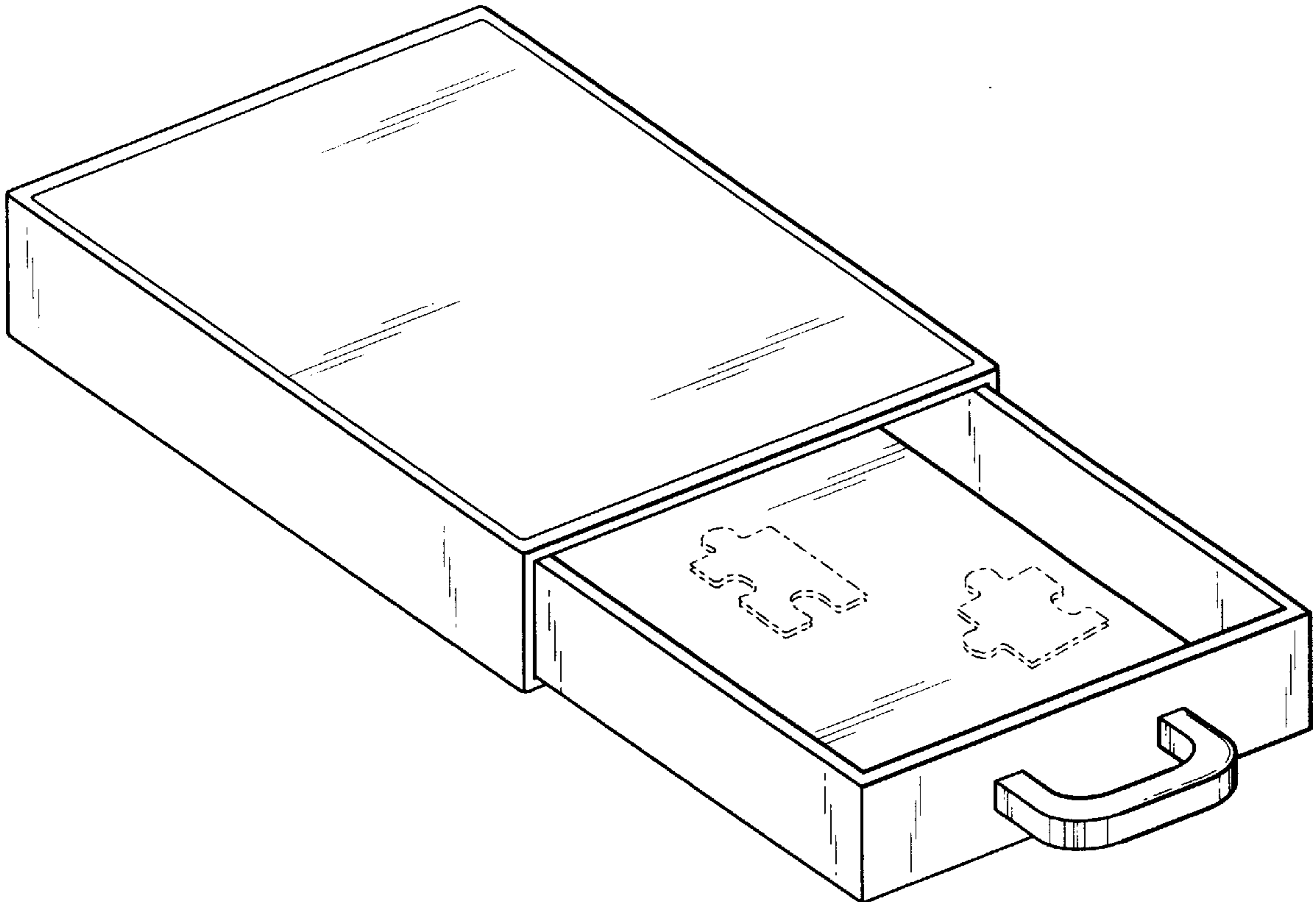
FIG. 4 is a rear elevational view thereof.

FIG. 5 is a top plan view thereof.

FIG. 6 is a bottom plan view thereof; and,

FIG. 7 is a left side elevational view of the jigsaw puzzle piece storage case, the right side elevational view being a mirror image of the left side view.

1 Claim, 2 Drawing Sheets



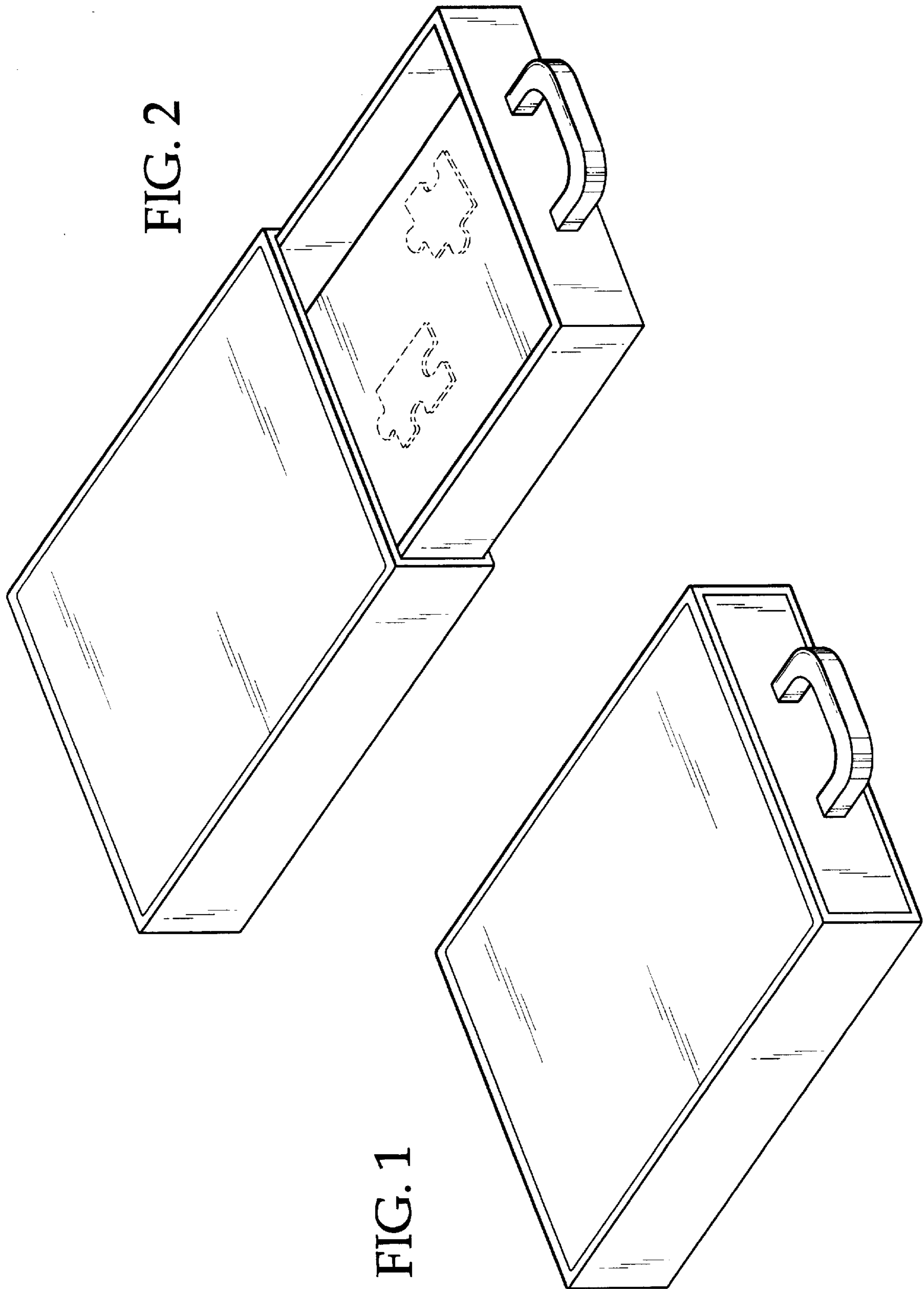


FIG. 2

FIG. 1

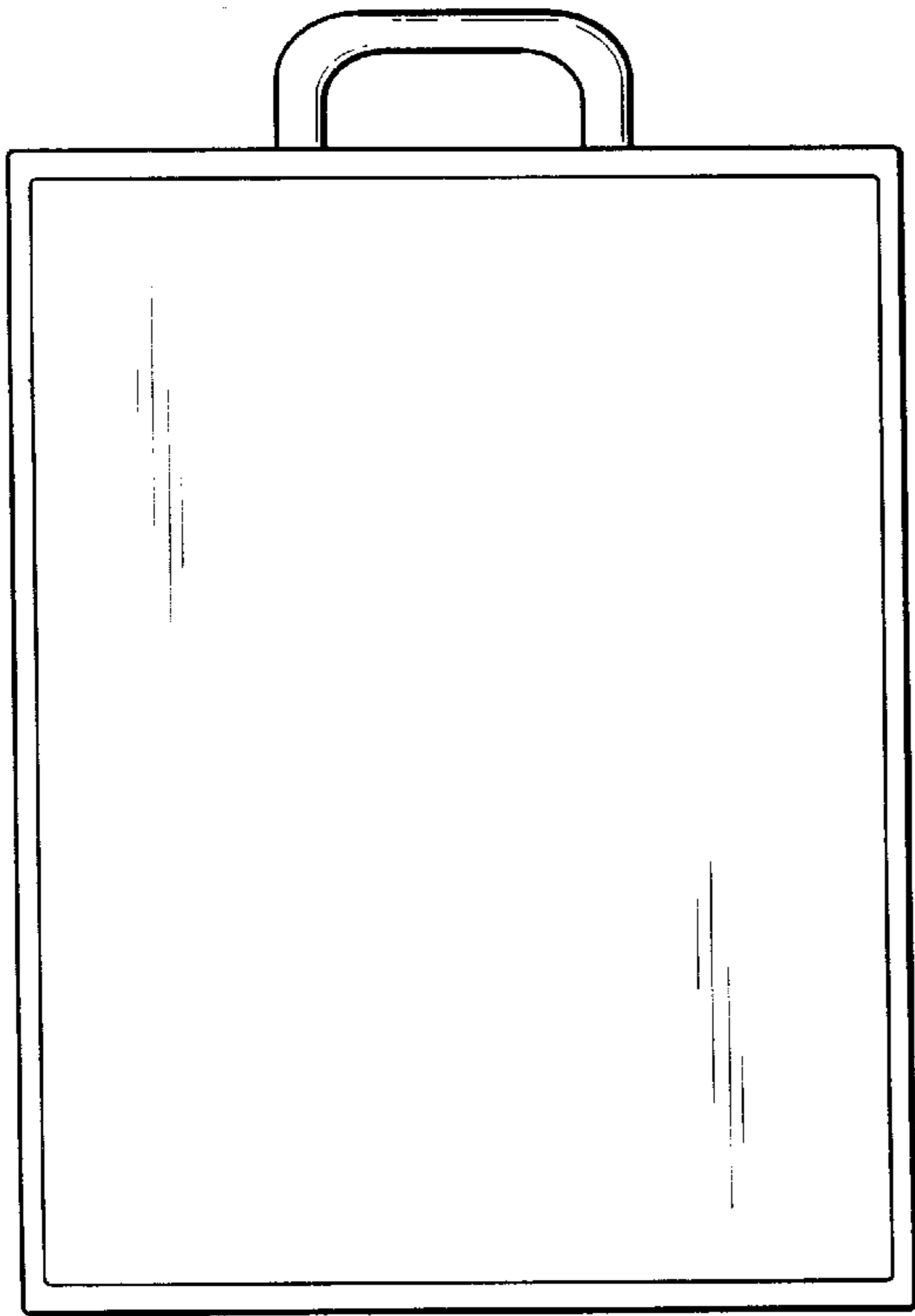


FIG. 3

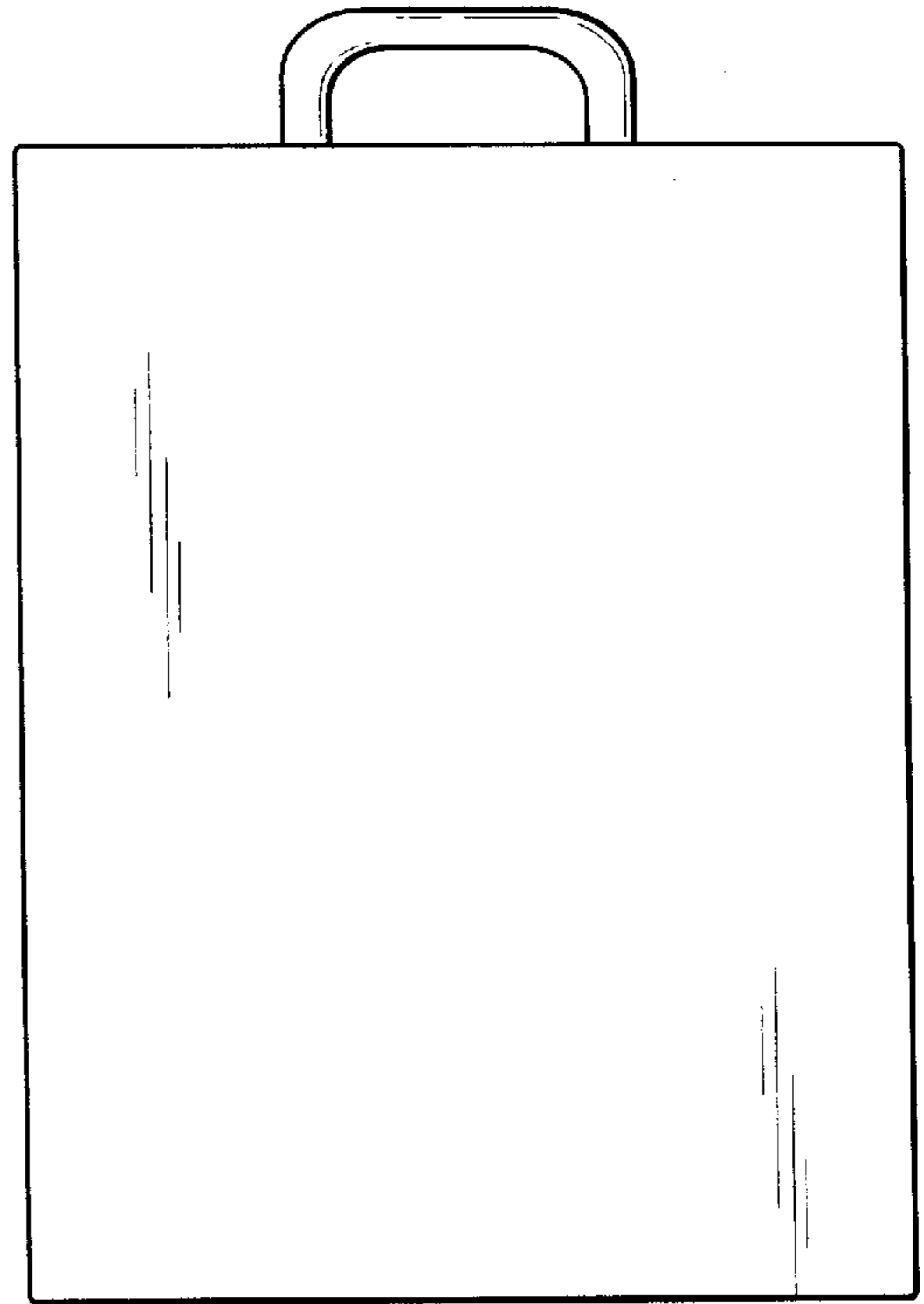


FIG. 4

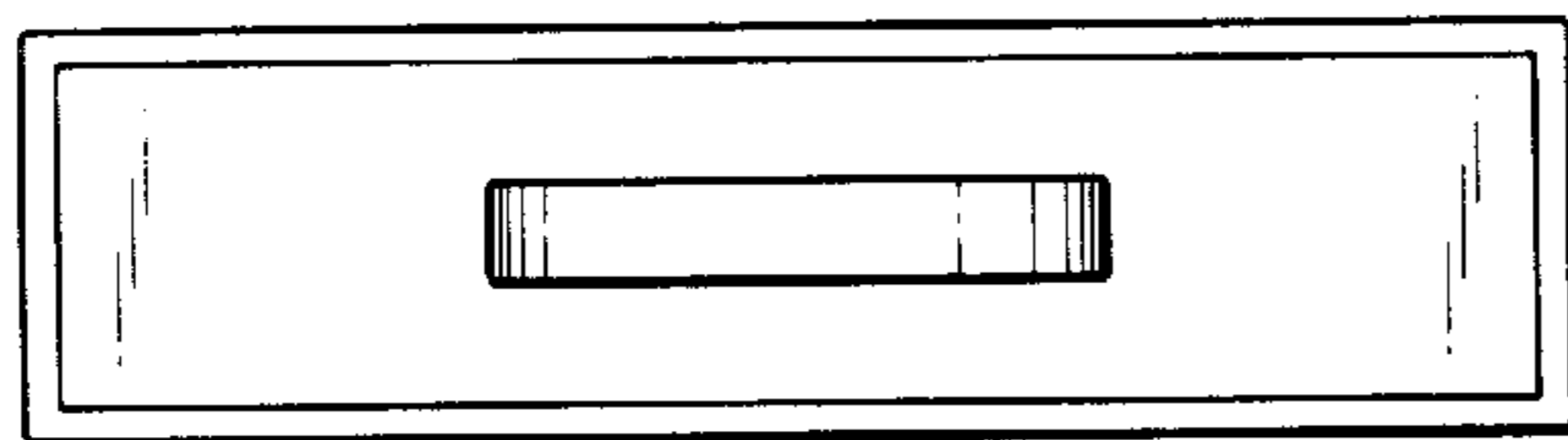


FIG. 5

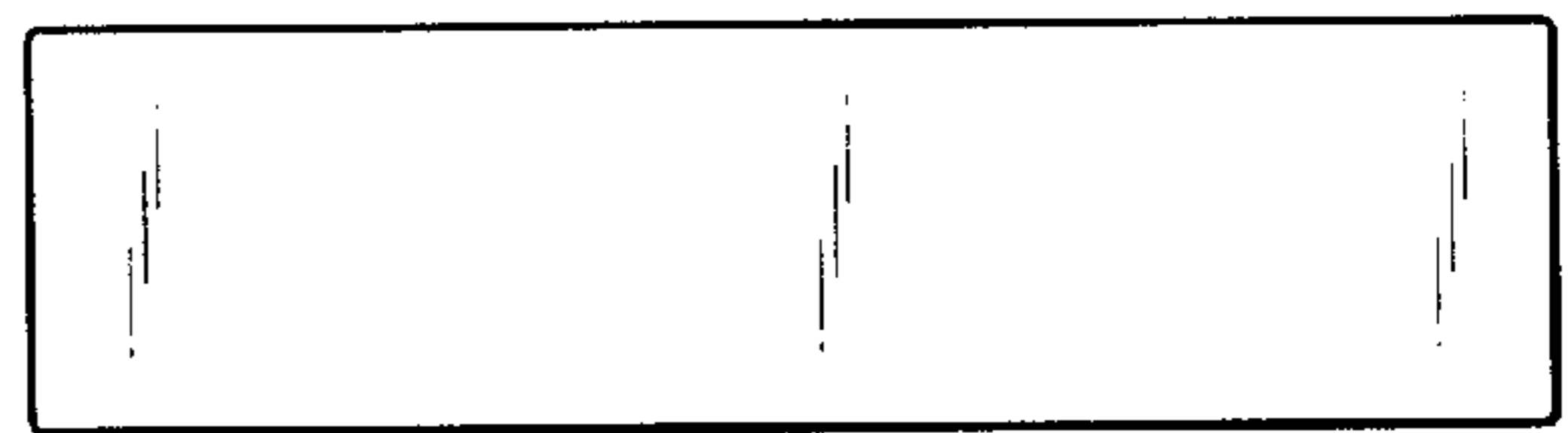


FIG. 6

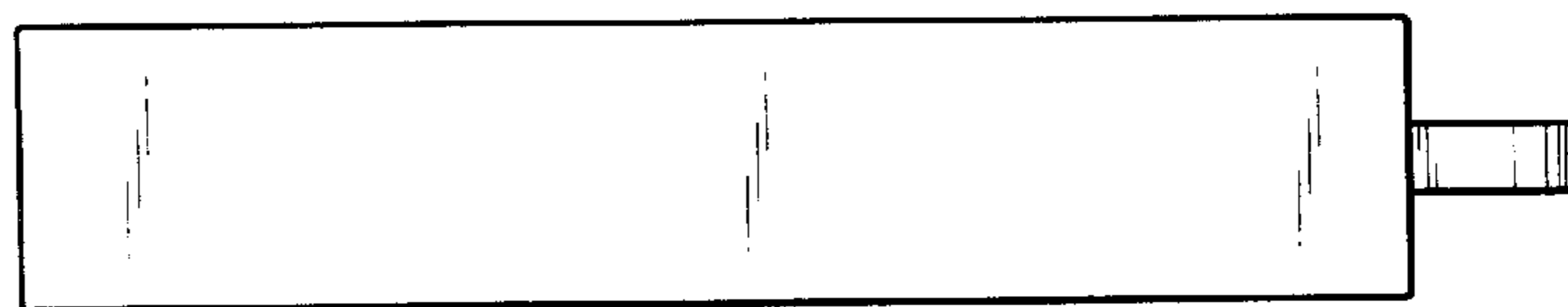


FIG. 7