



US00D439742S

(12) **United States Design Patent**
Fujino et al.

(10) **Patent No.:** **US D439,742 S**

(45) **Date of Patent:** **** Apr. 3, 2001**

(54) **CASE FOR A PORTABLE COMPUTER**

(75) Inventors: **Koji Fujino**, Taito-ku; **Jun Taguchi**,
Yokohama, both of (JP)

(73) Assignees: **Tohkoh Tsusho & Co., Ltd.**; **Fumoto**
Planning Corp., both of (JP)

(**) Term: **14 Years**

(21) Appl. No.: **29/118,162**

(22) Filed: **Feb. 4, 2000**

(51) **LOC (7) Cl.** **03-01**

(52) **U.S. Cl.** **D3/290; D3/303; D3/273**

(58) **Field of Search** D3/273, 276, 294,
D3/303, 900, 289, 290; 190/100, 113, 115,
111, 900, 902; 206/320

(56) **References Cited**

U.S. PATENT DOCUMENTS

- D. 338,104 * 8/1993 Lee D3/289
- D. 358,483 * 5/1995 Cross et al. D3/276
- D. 358,935 * 6/1995 Chang et al. D3/276

- D. 380,612 * 7/1997 Kelley et al. D3/289
- D. 393,947 * 5/1998 Alves D3/303
- D. 396,489 * 7/1998 Siemon et al. D3/303
- D. 414,935 * 10/1999 Bould D3/303

* cited by examiner

Primary Examiner—Philip S. Hyder

(74) *Attorney, Agent, or Firm*—Norris, McLaughlin &
Marcus P.A.

(57) **CLAIM**

The ornamental design for a case for a portable computer, as shown and described.

DESCRIPTION

FIG. 1 is a front top perspective view of the design for a case for a portable computer in closed position;
 FIG. 2 is a rear, bottom perspective view of the design in closed position;
 FIG. 3 is a view as in FIG. 1, but in the open position; and,
 FIG. 4 is a view of FIG. 3, showing the positioning of a computer therein, the computer being shown in dotted lines and not forming part of the claimed invention.

1 Claim, 3 Drawing Sheets

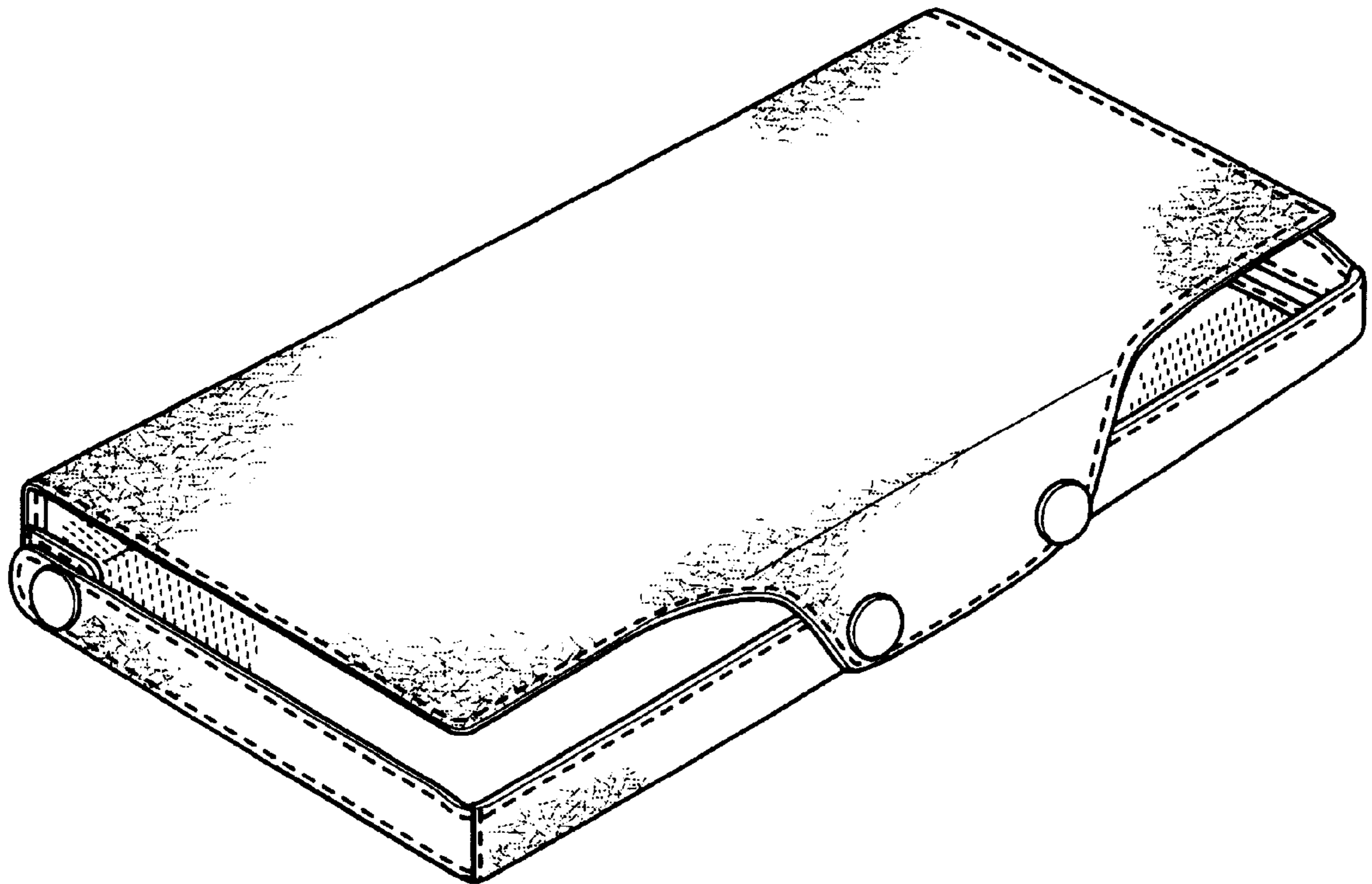


FIG. 1

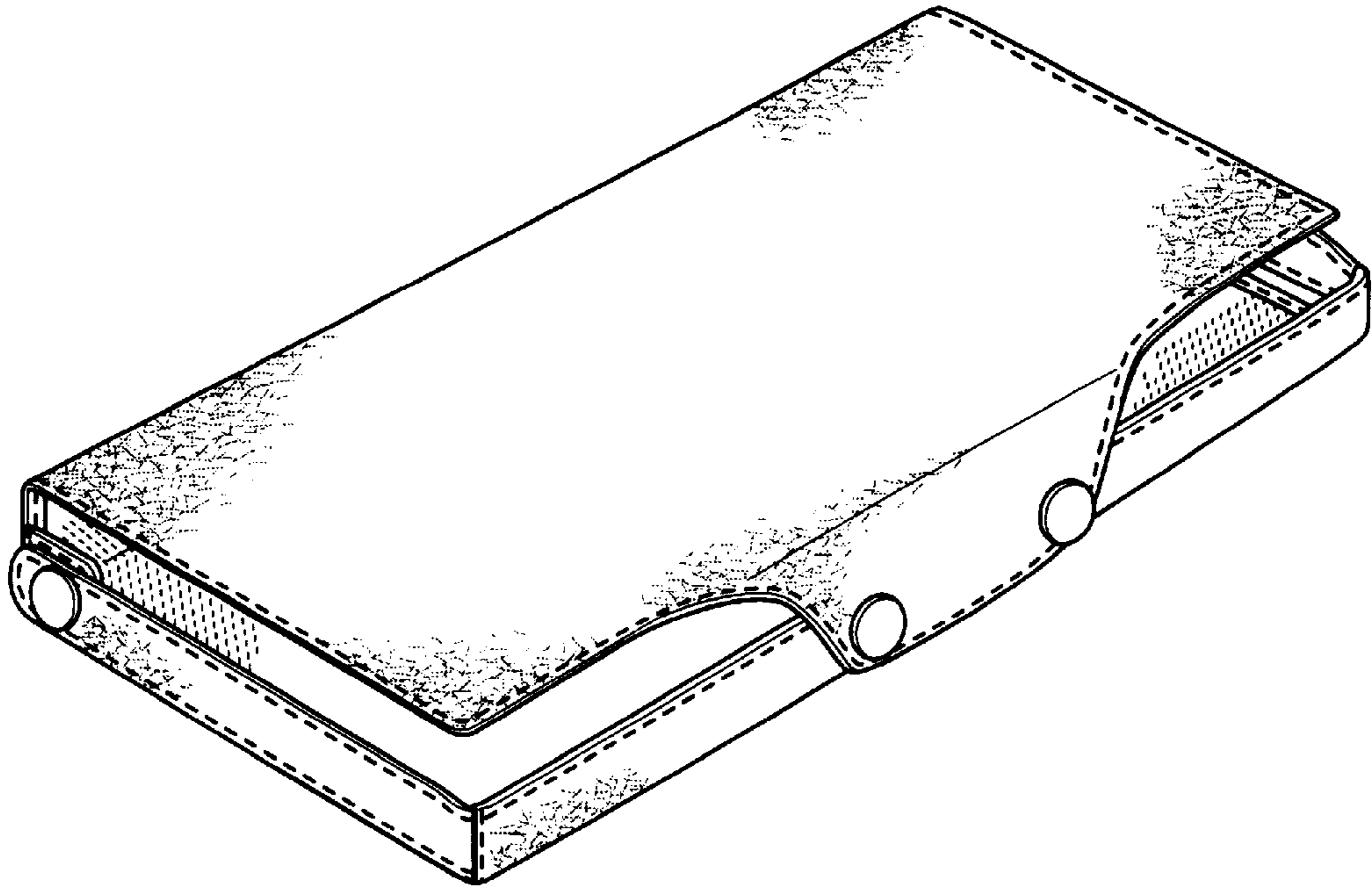


FIG. 2

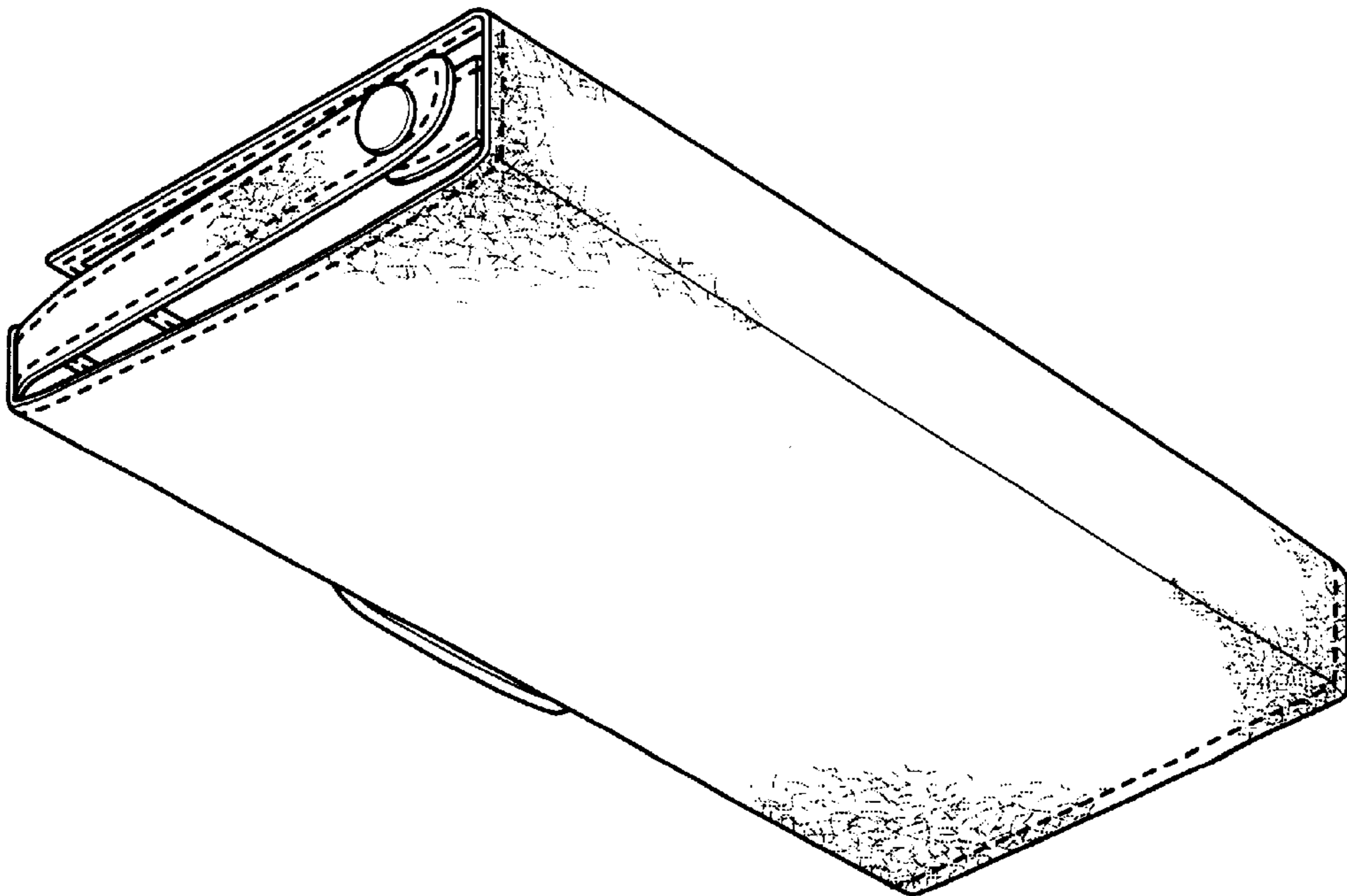


FIG. 3

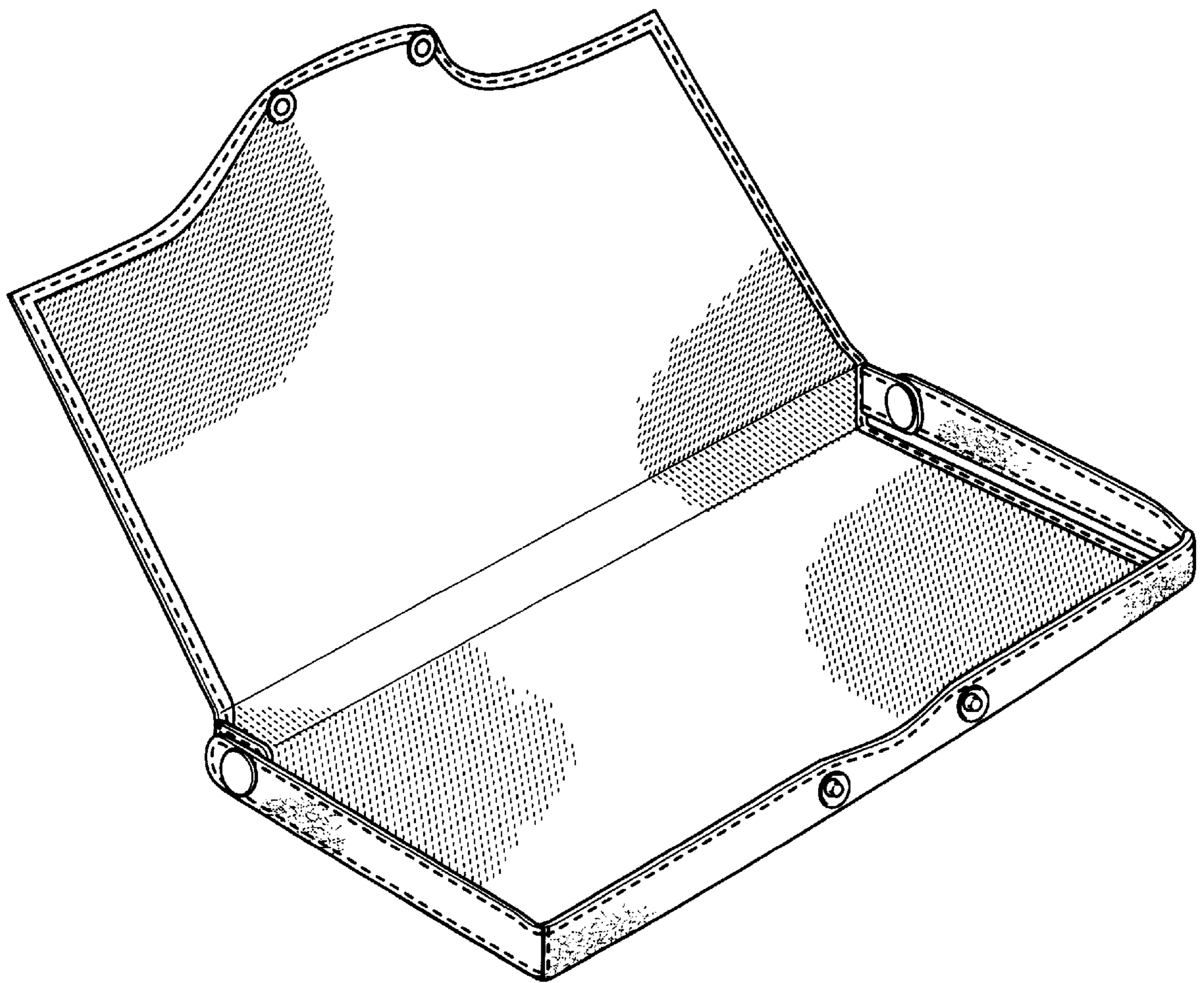


FIG. 4

