



US00D439739S

(12) **United States Design Patent**  
**Murphy**

(10) **Patent No.:** **US D439,739 S**

(45) **Date of Patent:** **\*\* Apr. 3, 2001**

(54) **CASE FOR A PLASMA DISPLAY SCREEN**

(75) **Inventor:** **Margaret Hope Murphy, La Verne, CA (US)**

(73) **Assignee:** **Calzone, Ltd., Bridgeport, CT (US)**

(\*\*) **Term:** **14 Years**

(21) **Appl. No.:** **29/124,050**

(22) **Filed:** **May 30, 2000**

(51) **LOC (7) Cl.** ..... **03-01**

(52) **U.S. Cl.** ..... **D3/272; D3/272; D3/273; D3/279**

(58) **Field of Search** ..... **D3/270, 273, 269, D3/276, 279, 905; D34/19, 25; 190/18 A, 19, 37; 206/320, 326**

(56) **References Cited**

**U.S. PATENT DOCUMENTS**

D. 247,993	5/1978	Calzone	.....	D3/276
D. 252,987	* 9/1979	Bacskey et al.	.....	D34/19
D. 294,080	* 2/1988	Golia	.....	D3/272
D. 324,135	* 2/1992	March	.....	D3/276

D. 342,159	* 12/1993	Daouk	.....	D3/272
D. 351,502	* 10/1994	Weir et al.	.....	D3/272
D. 419,766	* 2/2000	Rekuc	.....	D3/272
1,638,470	* 8/1927	Caldwell	.....	190/37
3,811,747	* 5/1974	Levin	.....	312/308
5,806,673	* 9/1998	Sanderson	.....	206/314

\* cited by examiner

*Primary Examiner*—Philip S. Hyder

(74) *Attorney, Agent, or Firm*—Barry R. Lipsitz

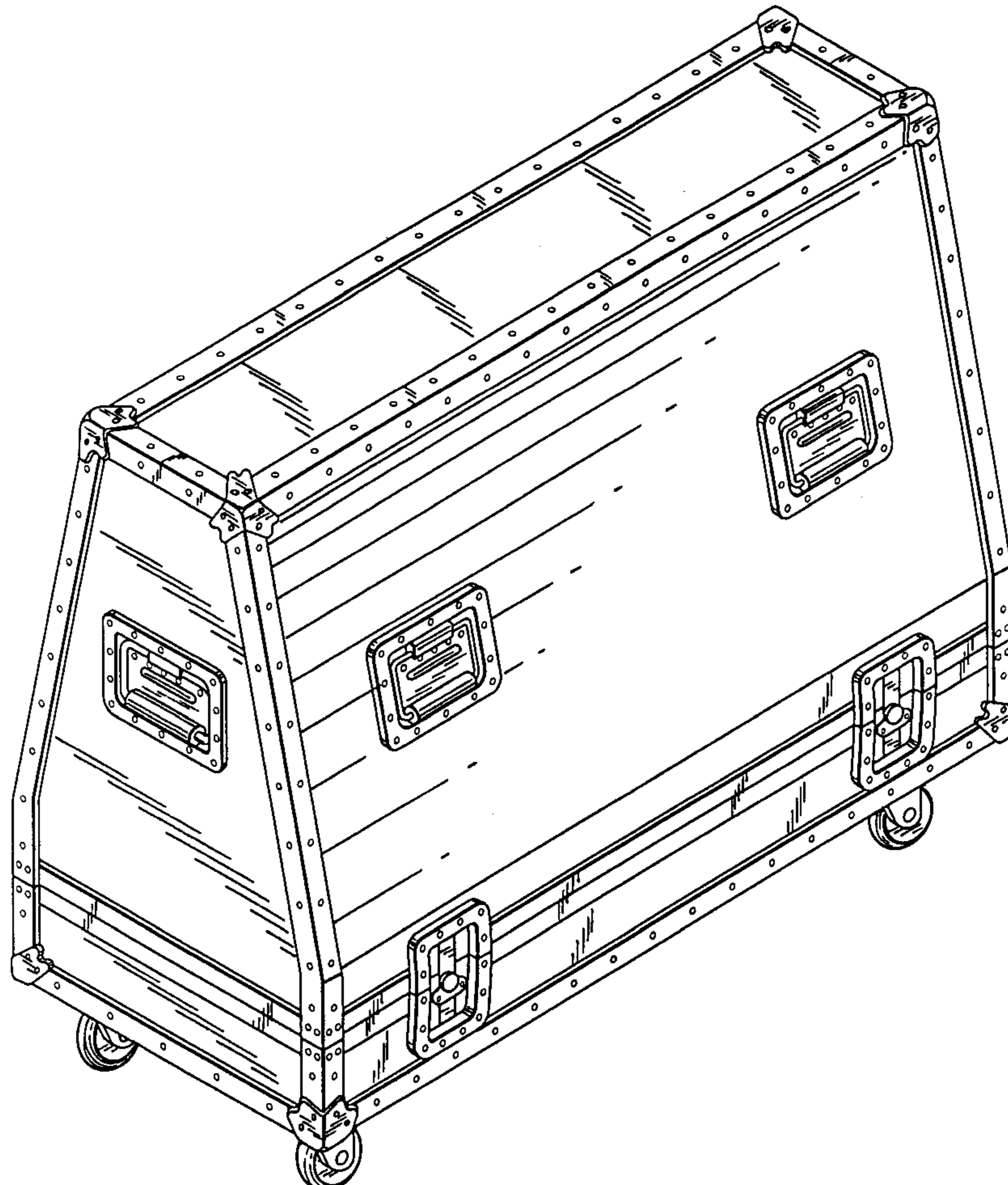
(57) **CLAIM**

The ornamental design for a case for a plasma display screen, as shown and described.

**DESCRIPTION**

FIG. 1 is a front, top and left side perspective view of the design for a case for a plasma display screen; FIG. 2 is a top plan view of the case; FIG. 3 is a front elevation of the case, the rear elevation being identical; FIG. 4 is a left side elevation of the case, the right side elevation being identical; and, FIG. 5 is a bottom plan view of the case.

**1 Claim, 4 Drawing Sheets**



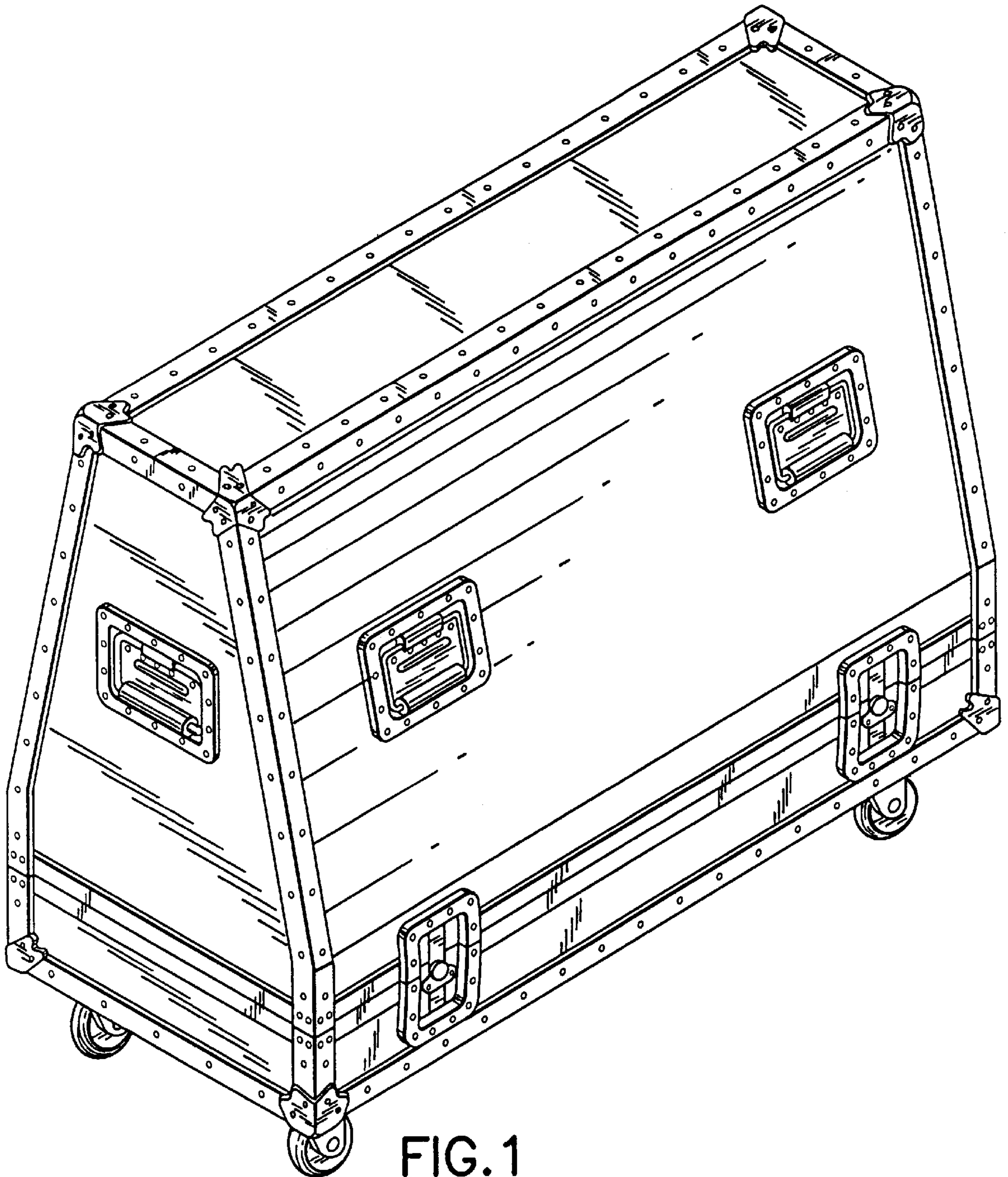


FIG. 1

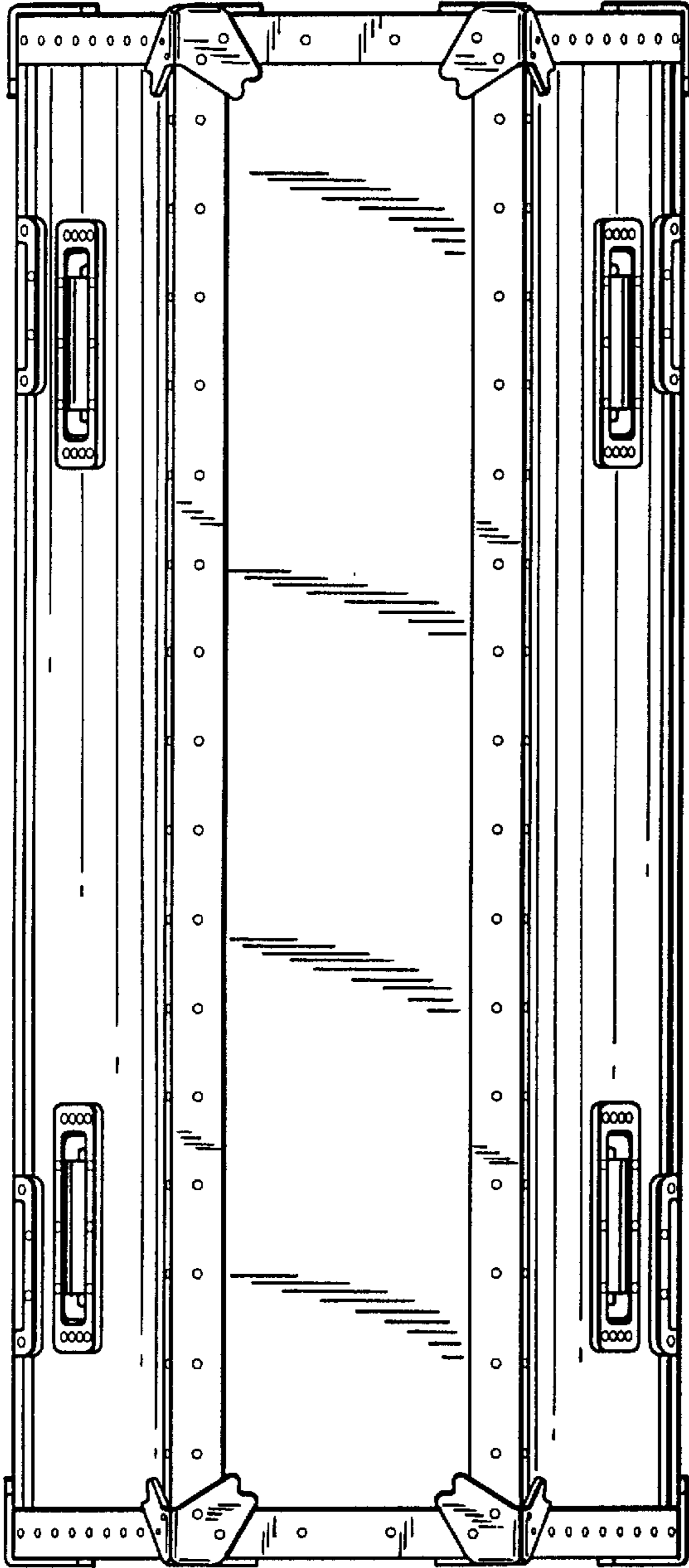


FIG. 2

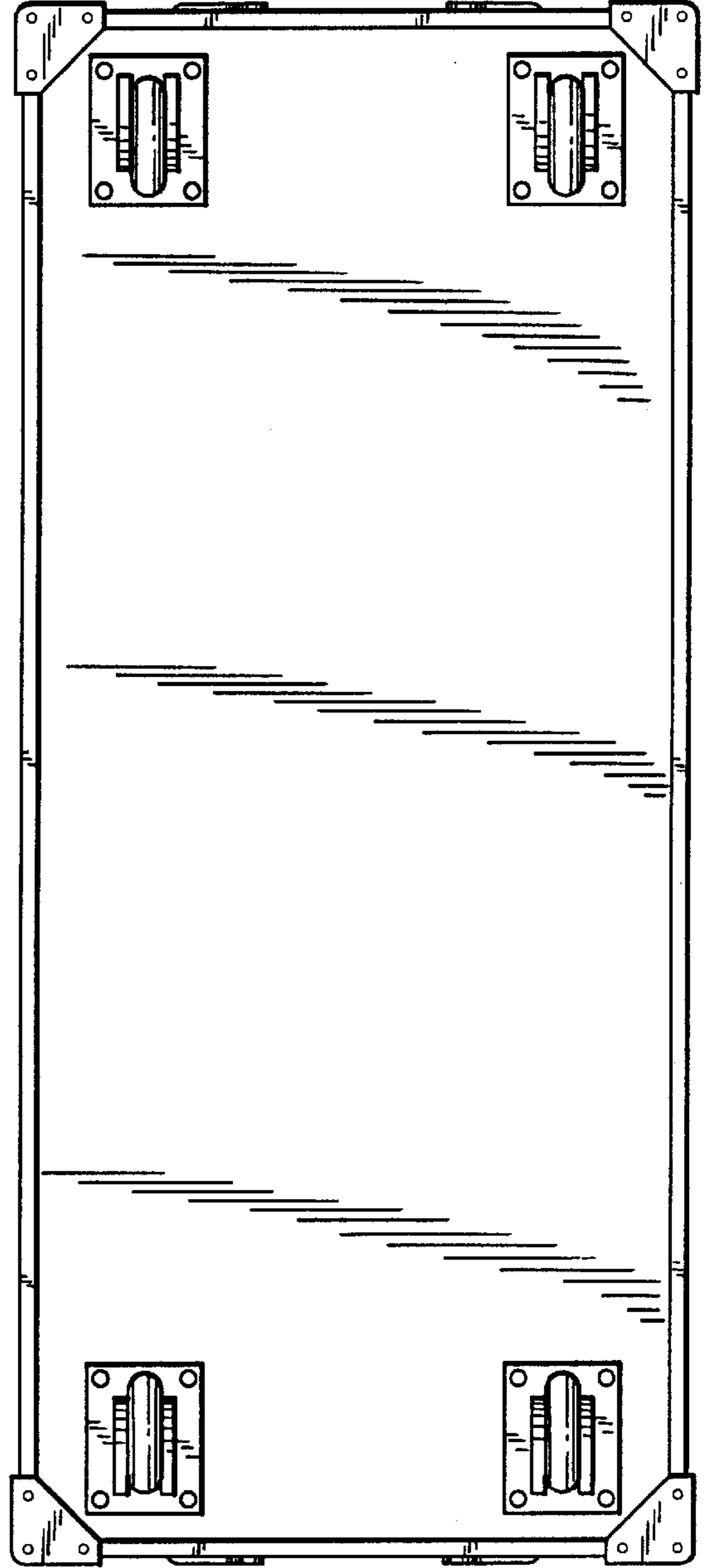


FIG. 5

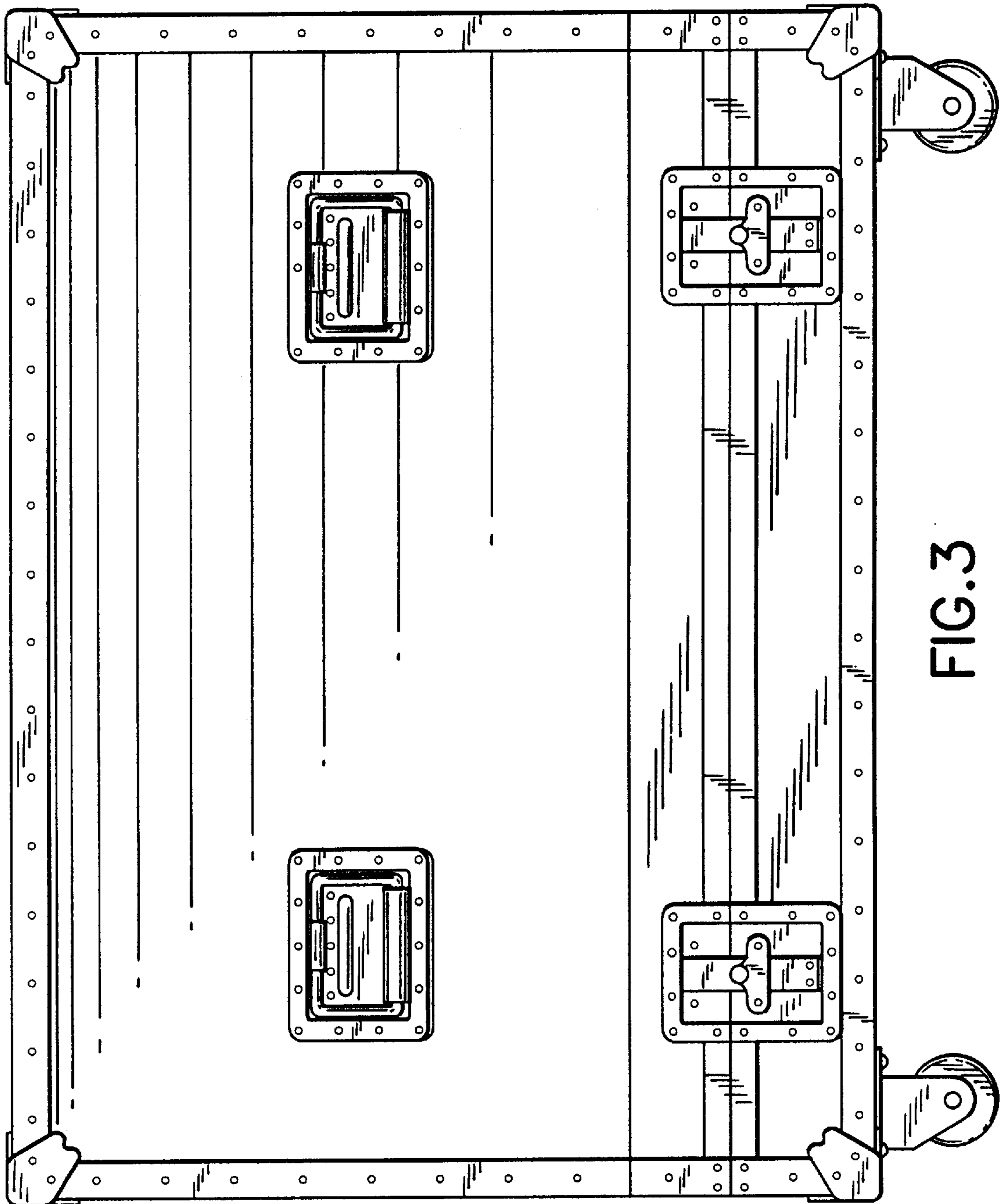


FIG.3

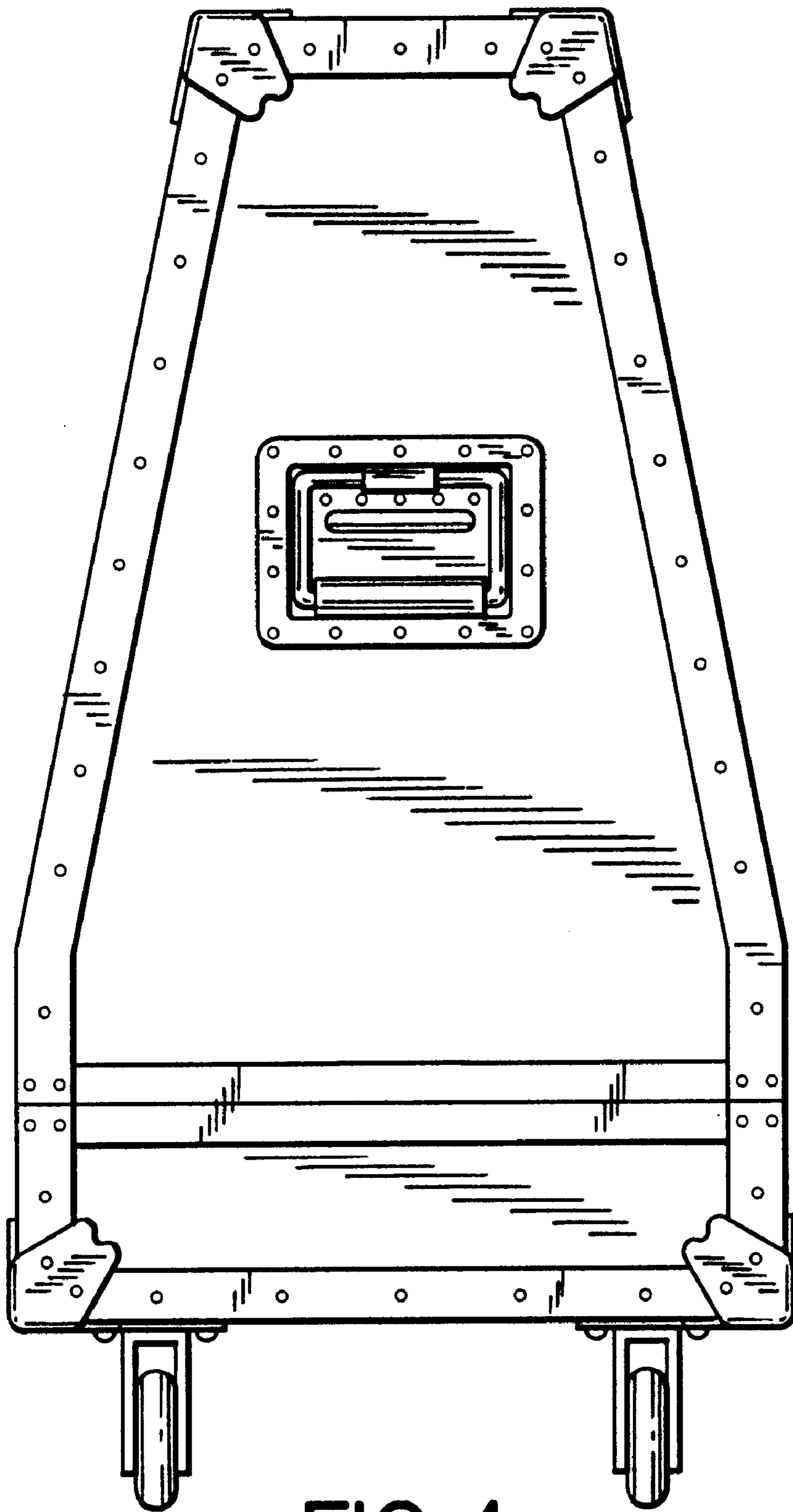


FIG. 4