



US00D439737S

(12) **United States Design Patent**
Bonny et al.

(10) **Patent No.:** **US D439,737 S**

(45) **Date of Patent:** **** Apr. 3, 2001**

(54) **PORTABLE GOLF KIT**

5,911,322 * 6/1999 Lombardo et al. 206/315.3

(76) Inventors: **Ernst Bonny**, 4786 Pine Knott La.,
West Palm Beach, FL (US) 33417;
Nancy L Kennedy; Cassandra
Kennedy, both of 169-27 120th Ave.,
Jamaica, NY (US) 11434

* cited by examiner

Primary Examiner—Mitchell Siegel

(**) Term: **14 Years**

(57) **CLAIM**

The ornamental design for a portable golf kit, as shown and described.

(21) Appl. No.: **29/116,683**

DESCRIPTION

(22) Filed: **Jan. 7, 2000**

FIG. 1 is a front elevational view of the portable golf kit of the present invention;

(51) **LOC (7) Cl.** **03-01**

FIG. 2 is a rear elevational view of the portable golf kit of FIG. 1;

(52) **U.S. Cl.** **D3/255; D21/789**

FIG. 3 is a left side elevational view of the portable golf kit of FIG. 1;

(58) **Field of Search** D21/789, 759;

D3/255, 279; 206/315.1-315.8; 280/47.19,
47.26

FIG. 4 is a right side elevational view of the portable golf kit of FIG. 1;

(56) **References Cited**

FIG. 5 is a top plan view of the portable golf kit of FIG. 1; and,

U.S. PATENT DOCUMENTS

FIG. 6 is a bottom plan view of the portable golf kit of FIG. 1.

D. 278,479 * 4/1985 Bevilacqua et al. D3/255

5,071,147 * 12/1991 Stansbury 280/47.19

1 Claim, 5 Drawing Sheets

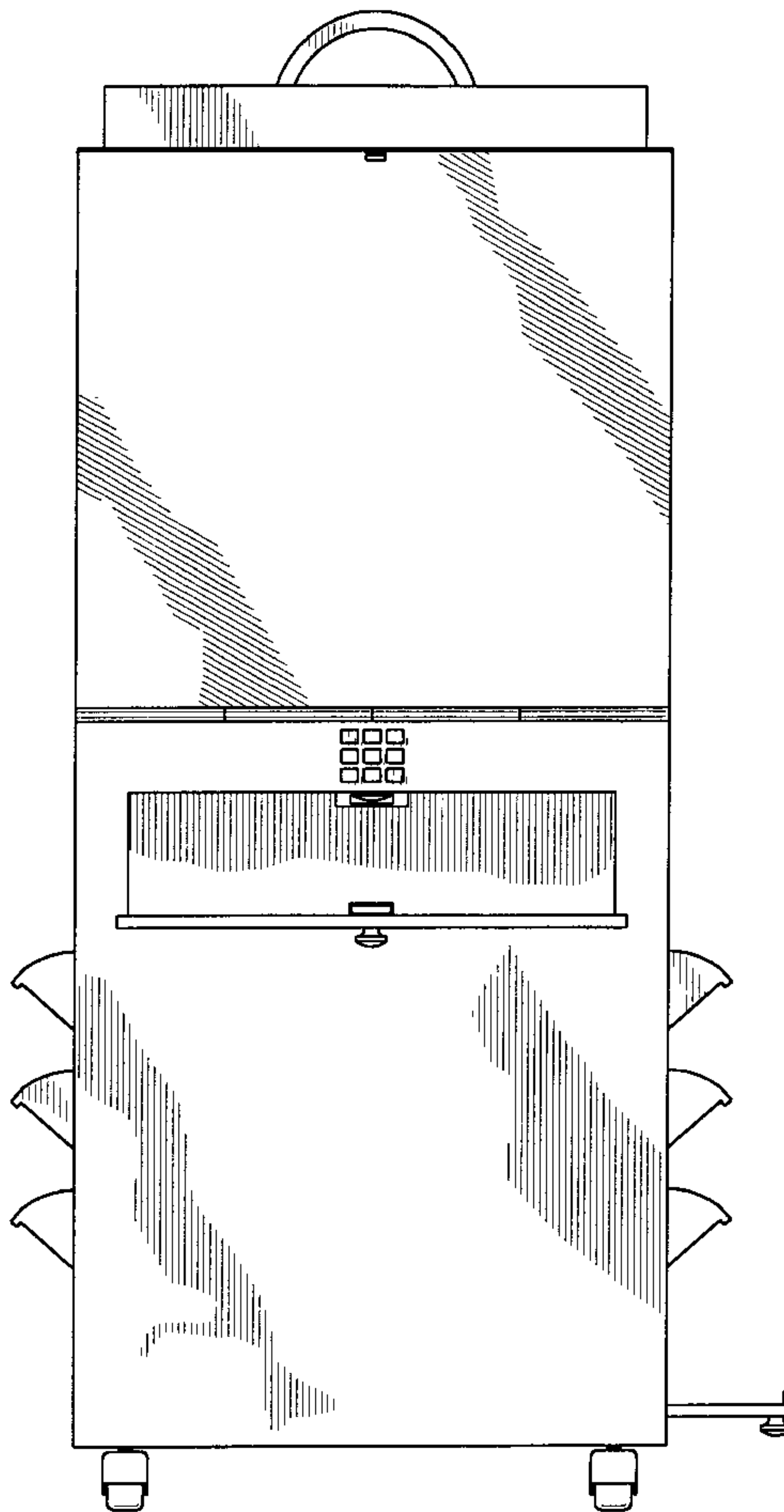


FIG. 1

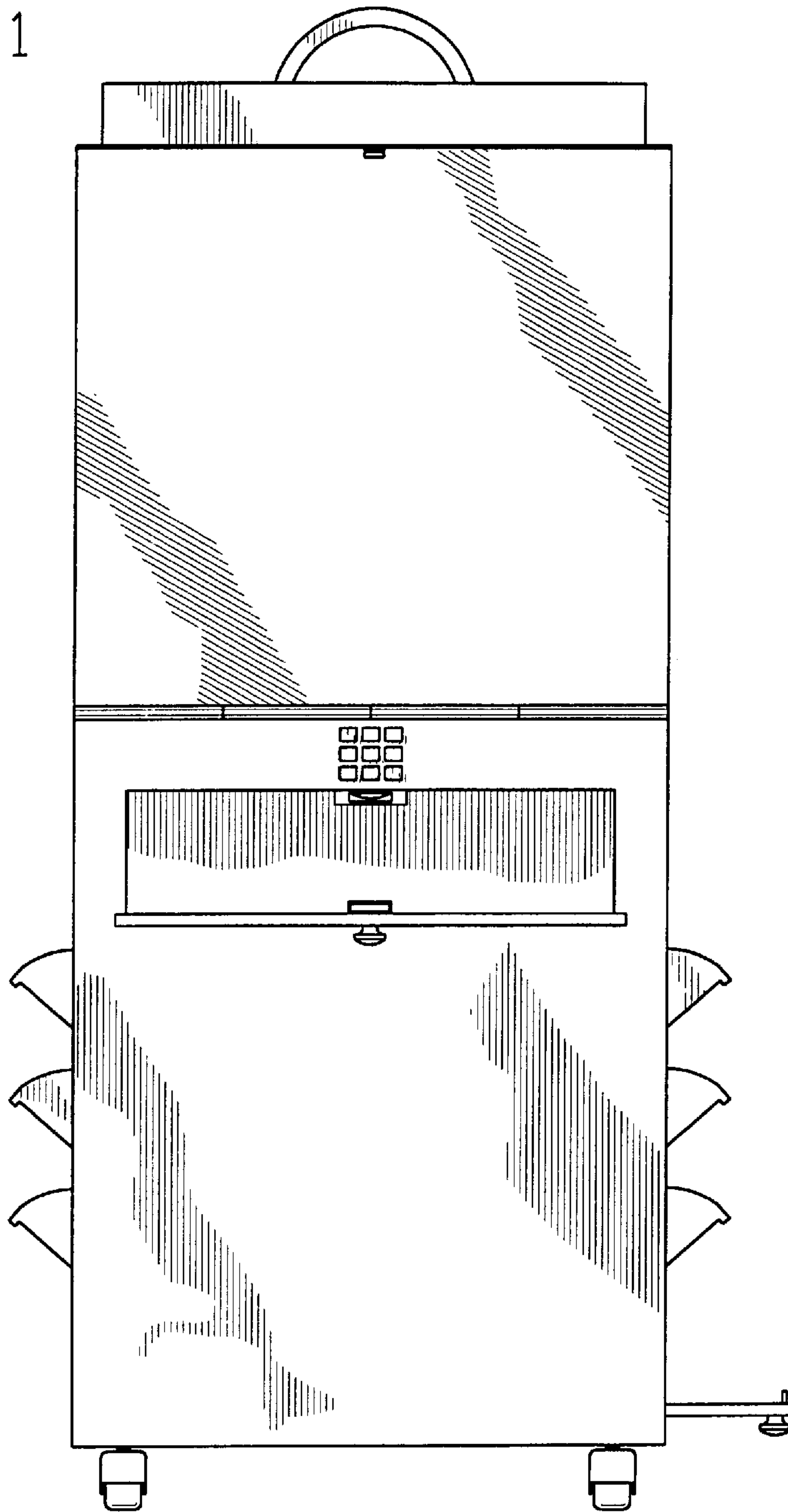


FIG. 2

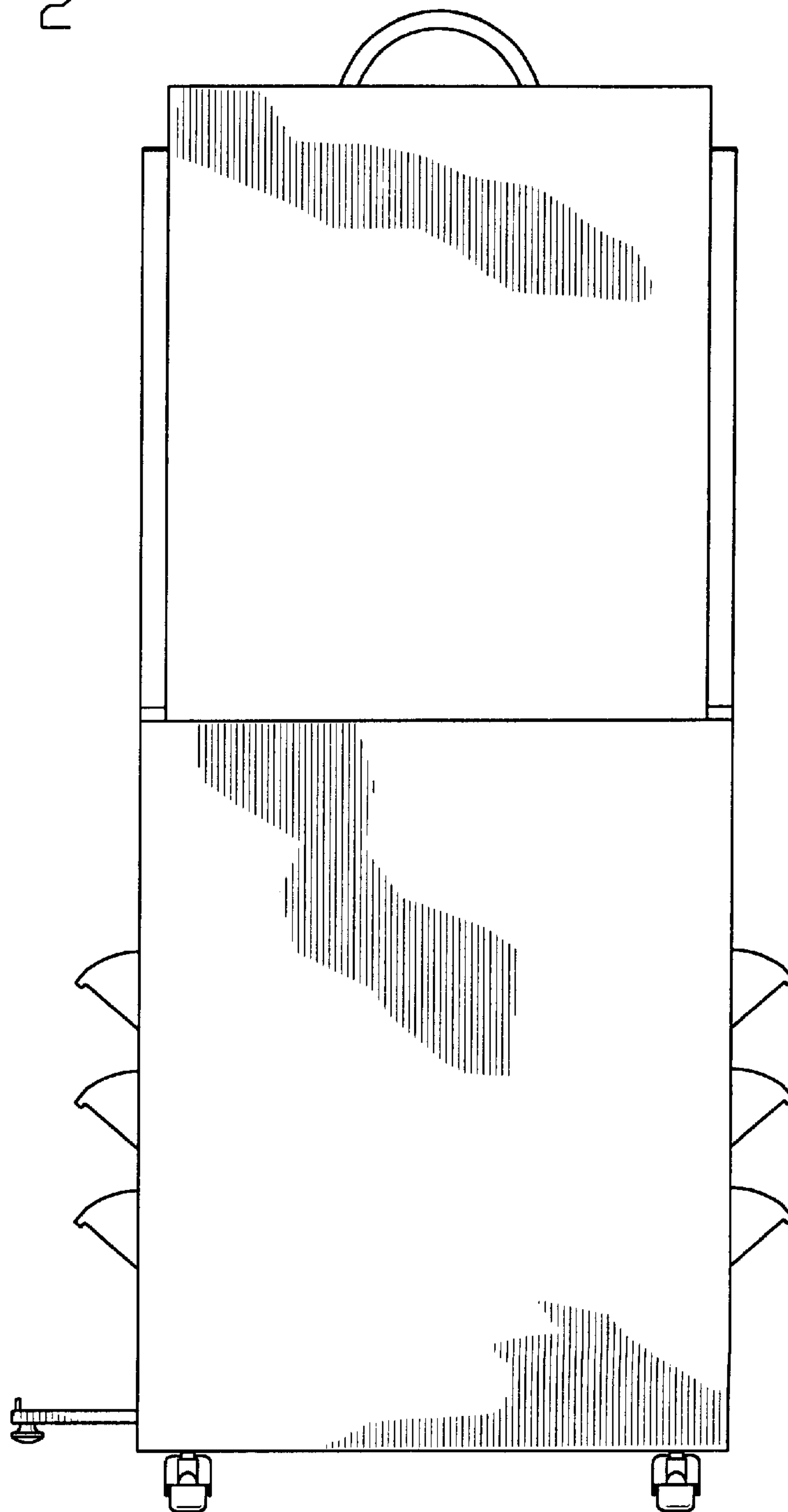


FIG. 3

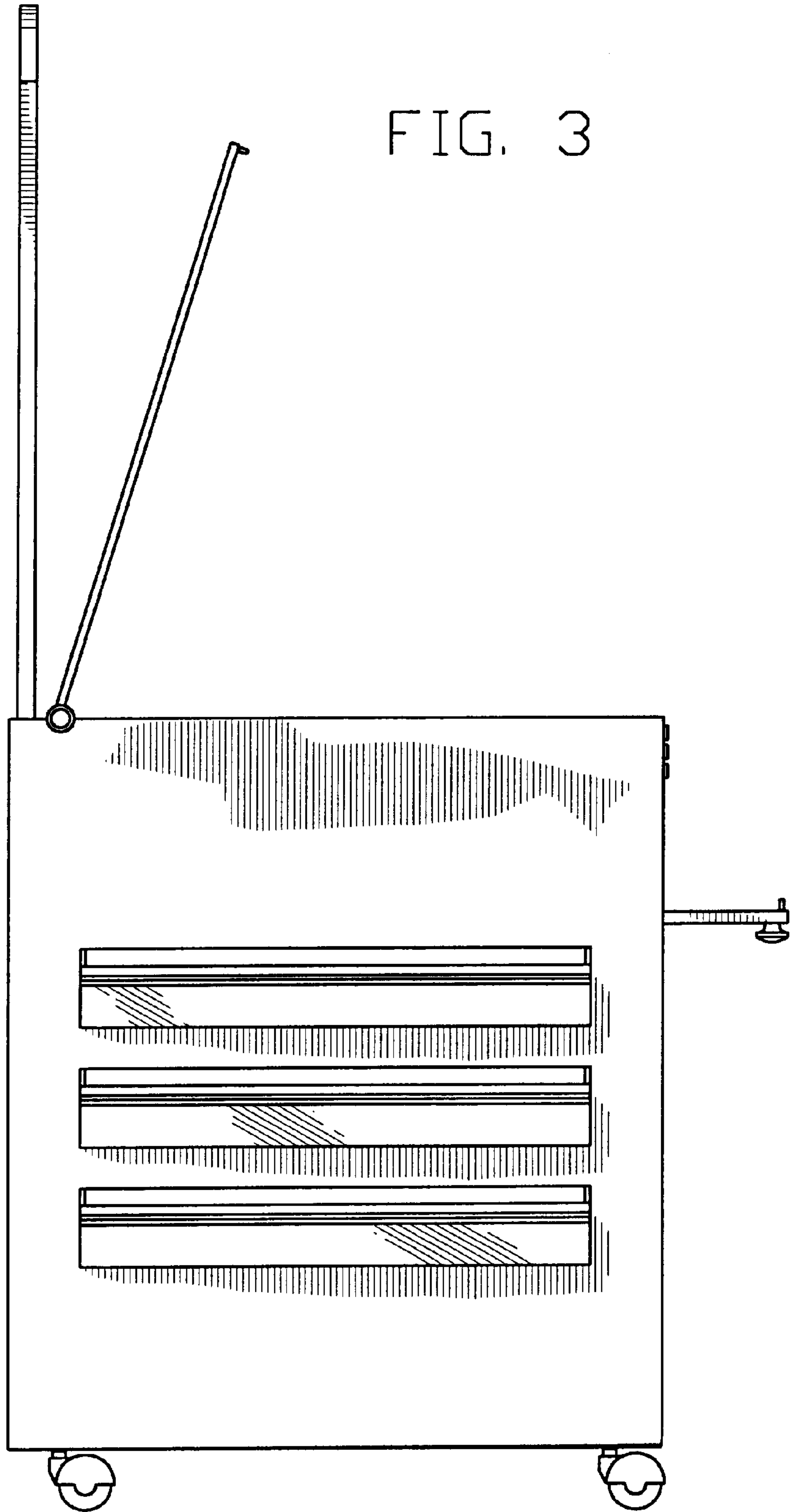


FIG. 4

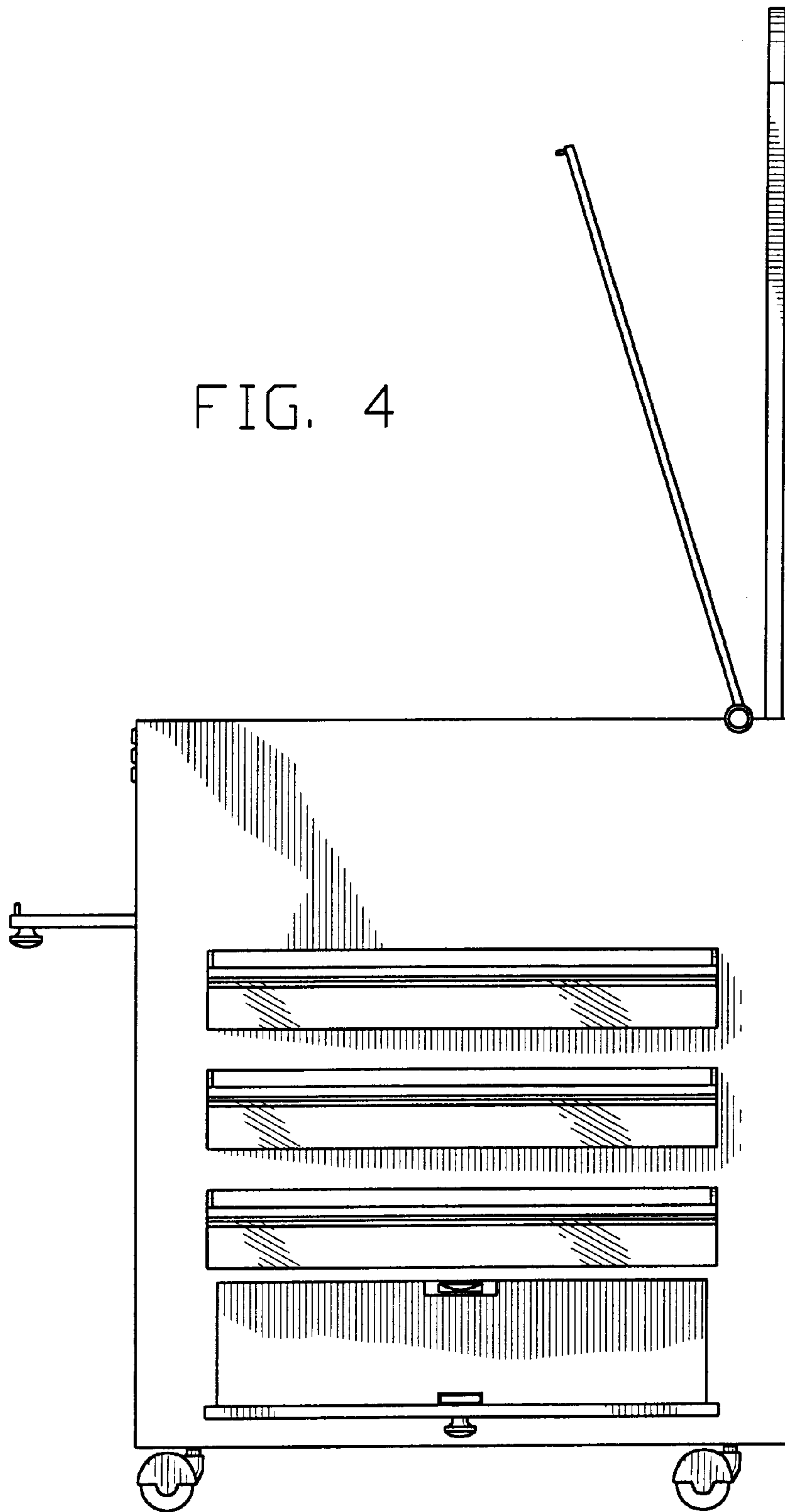


FIG. 5

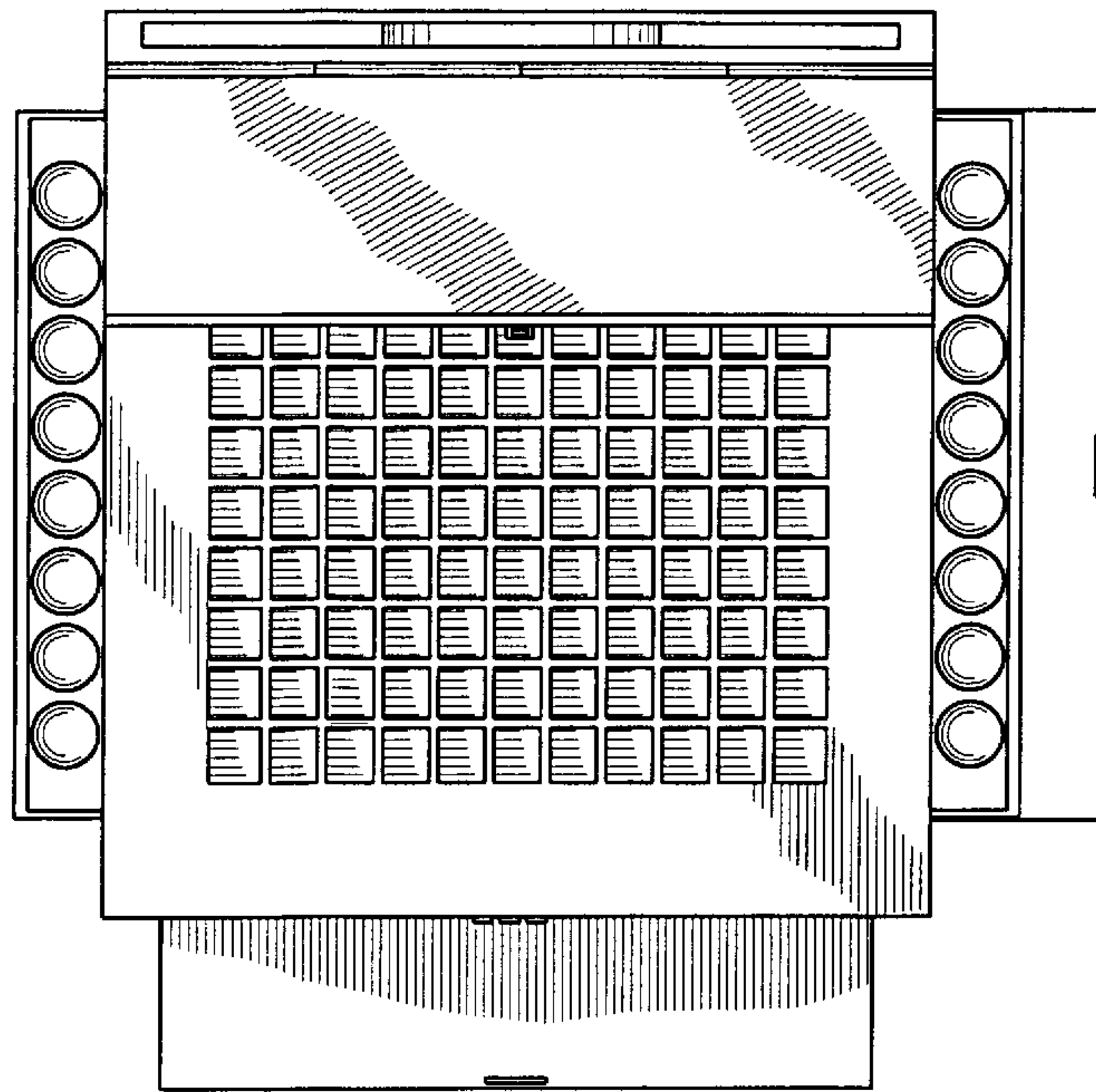


FIG. 6

