



US00D439733S

(12) **United States Design Patent**
Savoie

(10) **Patent No.:** **US D439,733 S**

(45) **Date of Patent:** **** Apr. 3, 2001**

(54) **REMOVABLE TREAD DEVICE FOR FOOTWEAR**

5,860,228 * 4/2000 Bathum 36/127

* cited by examiner

(75) Inventor: **Armand J. Savoie**, Gardner, MA (US)

Primary Examiner—Louis S. Zarfes

Assistant Examiner—Greg Andoll

(73) Assignee: **MacNeill Engineering Company, Inc.**,
Marlborough, MA (US)

(74) *Attorney, Agent, or Firm*—Bromberg & Sunstein LLP

(**) Term: **14 Years**

(57) **CLAIM**

The ornamental design for a removable tread device for footwear, as shown and described.

(21) Appl. No.: **29/117,855**

DESCRIPTION

(22) Filed: **Jan. 31, 2000**

(51) **LOC (7) Cl.** **02-04**

(52) **U.S. Cl.** **D2/962**

(58) **Field of Search** D2/962; 36/127,
36/134, 59 R, 61, 62, 65, 66, 67 R, 67 A,
67 B, 67 C, 67 D, 59 A, 59 B, 59 C, 59 D

FIG. 1 is a perspective view of a removable tread device for footwear, showing my new design;

FIG. 2 is a bottom view thereof, showing the ground engaging surface;

FIG. 3 is a side elevational view thereof, the opposite side being a mirror image;

FIG. 4 is a top elevational view thereof; and,

FIG. 5 is a side elevational view rotated 90° with respect to FIG. 3, the opposite side being a mirror image thereof.

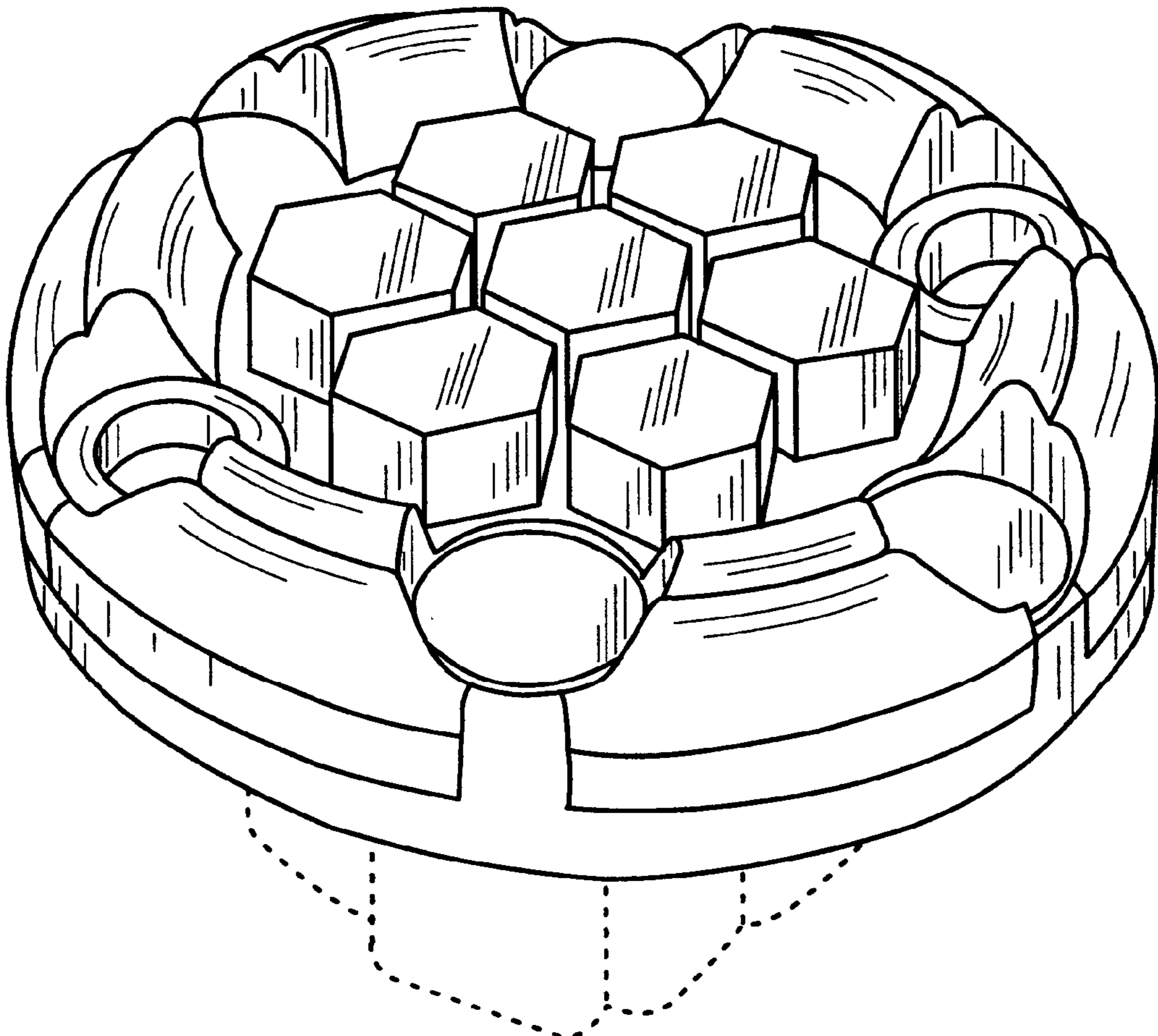
The broken lines in the Figures are for illustrative purposes only and form no part of the claimed design.

(56) **References Cited**

U.S. PATENT DOCUMENTS

- D. 391,391 * 3/1998 Colias D2/962
- D. 403,848 * 1/1999 Colias D2/962
- D. 423,767 * 5/2000 Kan D2/962

1 Claim, 2 Drawing Sheets



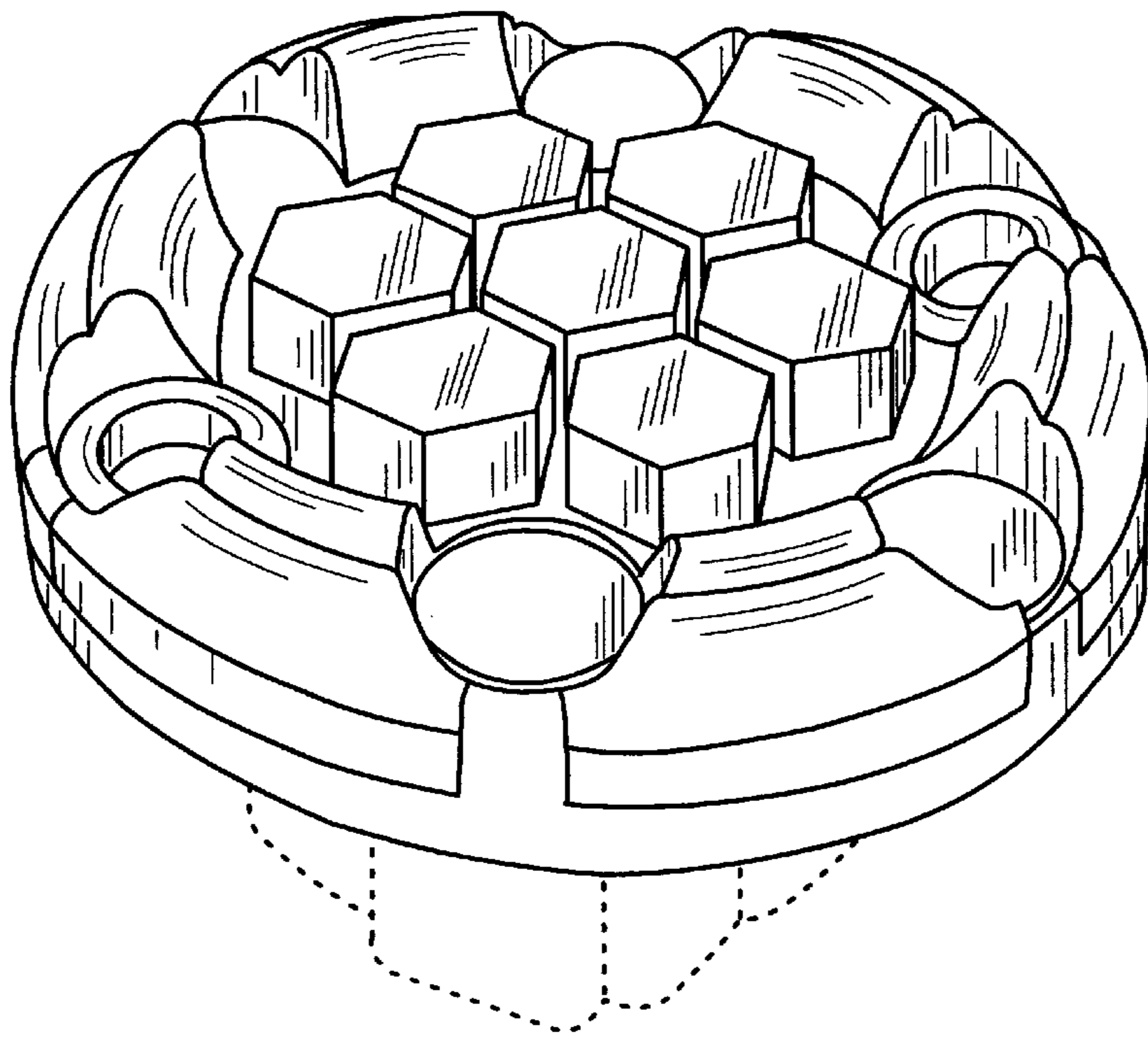


FIG. 1

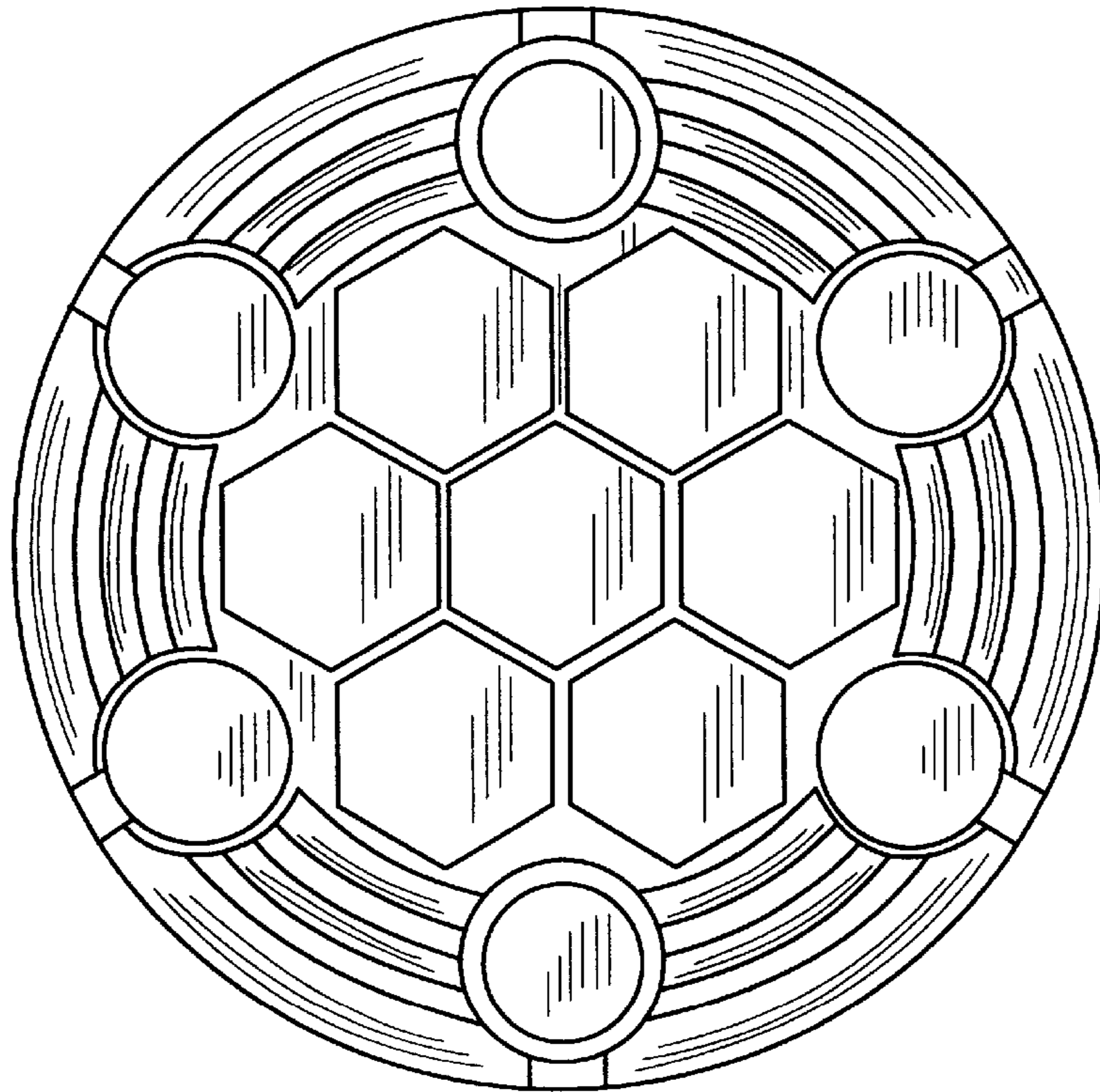


FIG. 2

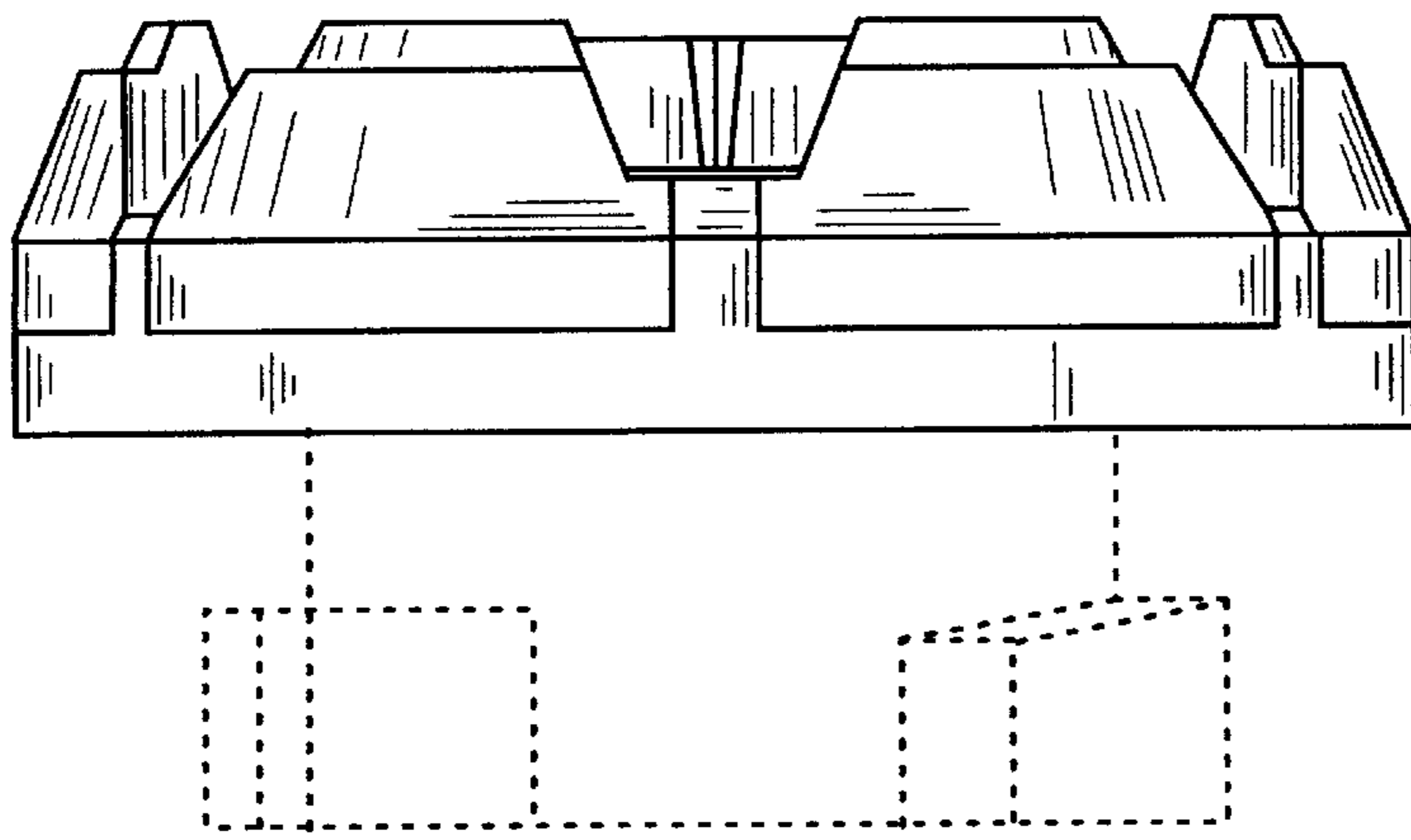


FIG. 3

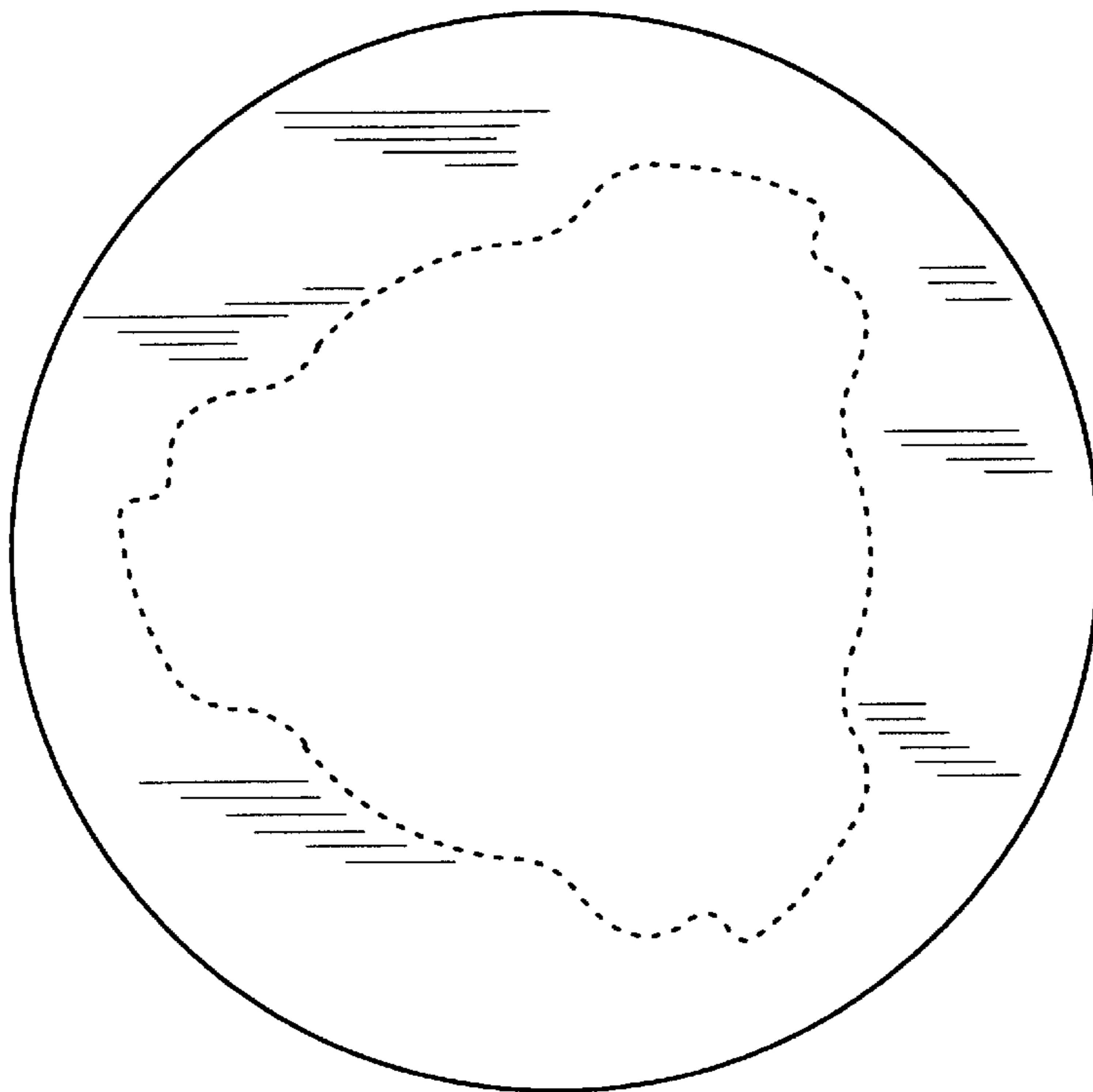


FIG. 4

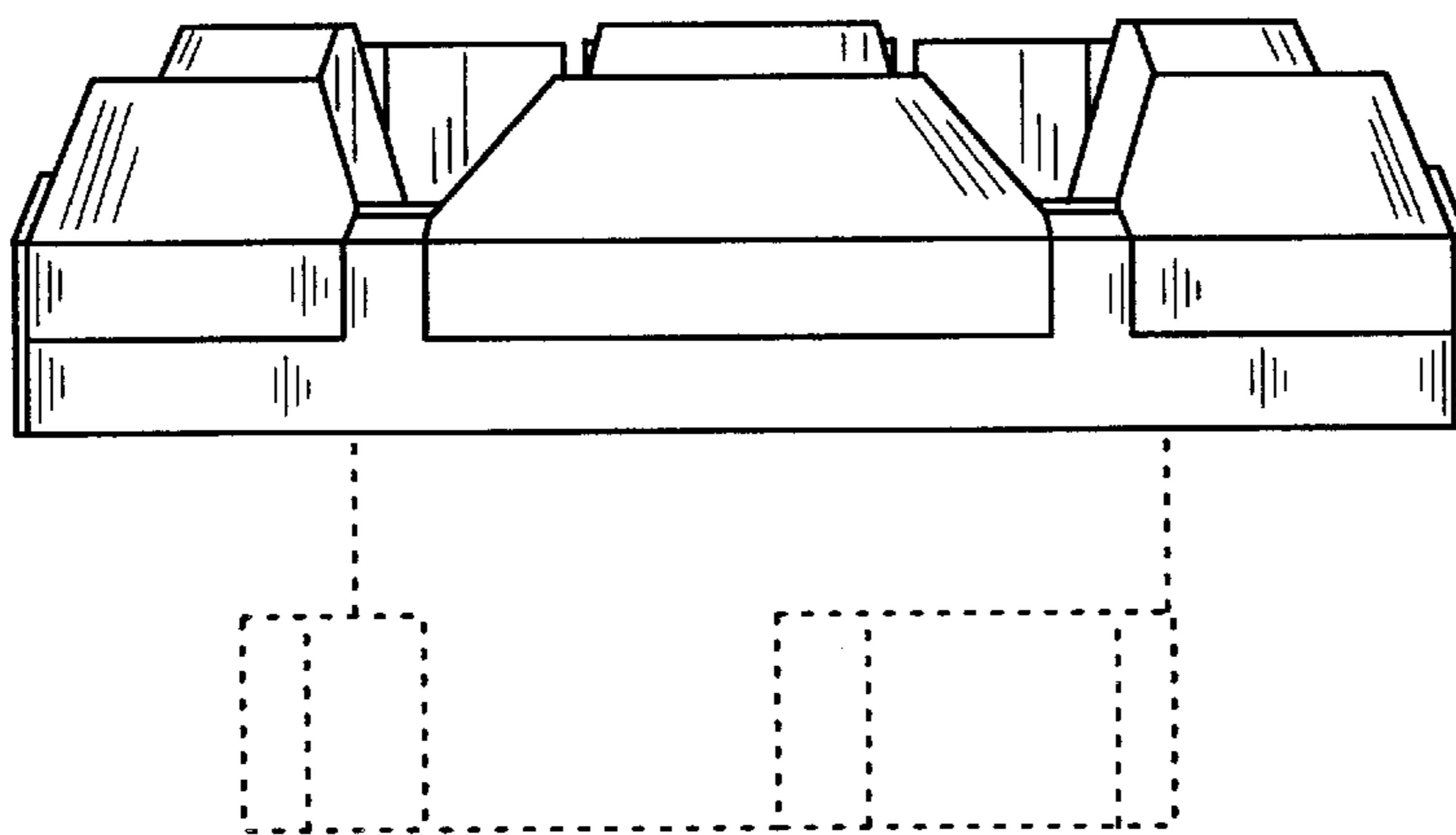


FIG. 5