



US00D439732S

(12) **United States Design Patent Grant**

(10) **Patent No.:** **US D439,732 S**

(45) **Date of Patent:** **** Apr. 3, 2001**

(54) **TRACK SPIKE**

3,587,181 * 6/1971 Bernier 36/127

(76) Inventor: **David Grant**, 13919 Struikman Rd.,
Cerritos, CA (US) 90703

* cited by examiner

(**) Term: **14 Years**

Primary Examiner—Louis S. Zarfaz
Assistant Examiner—Gregory Andoll

(21) Appl. No.: **29/110,573**

(57) **CLAIM**

(22) Filed: **Sep. 9, 1999**

The ornamental design for a track spike, as shown and described.

Related U.S. Application Data

DESCRIPTION

(62) Division of application No. 08/917,575, filed on Aug. 11, 1997, now Pat. No. 5,979,084.

FIG. 1 is a perspective view of the track spike illustrating my design.

(51) **LOC (7) Cl.** **02-04**

FIG. 2 is a bottom plan view thereof.

(52) **U.S. Cl.** **D2/962**

FIG. 3 is a front elevational view thereof, the opposite side being a mirror image.

(58) **Field of Search** D2/962; 36/67 A,
36/59 R, 62, 67 R, 134, 127, 67 D

FIG. 4 is a side elevational view thereof, the opposite side elevational view being a mirror image thereof; and,

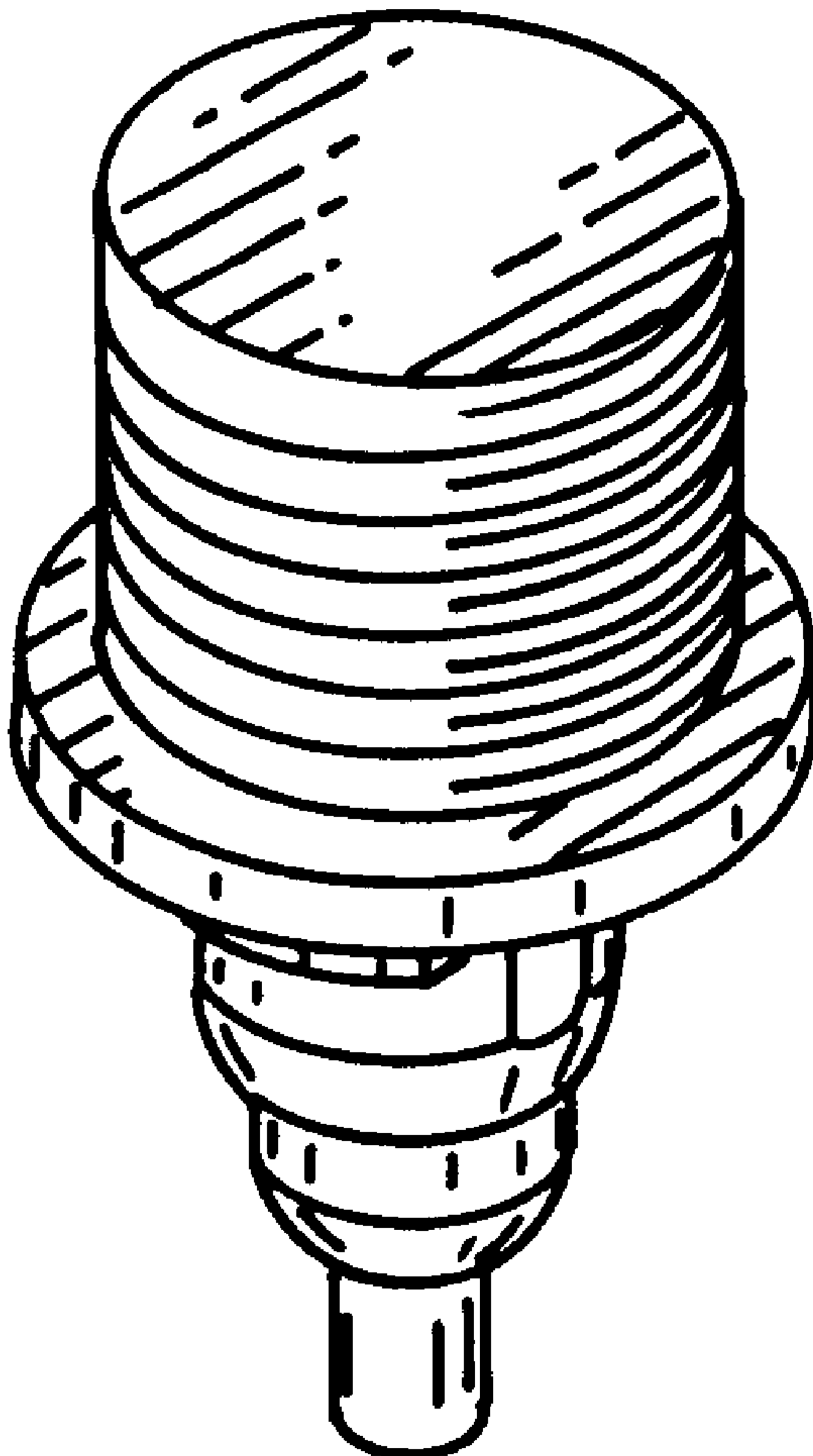
(56) **References Cited**

FIG. 5 is a top plan view thereof.

U.S. PATENT DOCUMENTS

D. 342,151 * 12/1993 Saito et al. D2/962

1 Claim, 1 Drawing Sheet



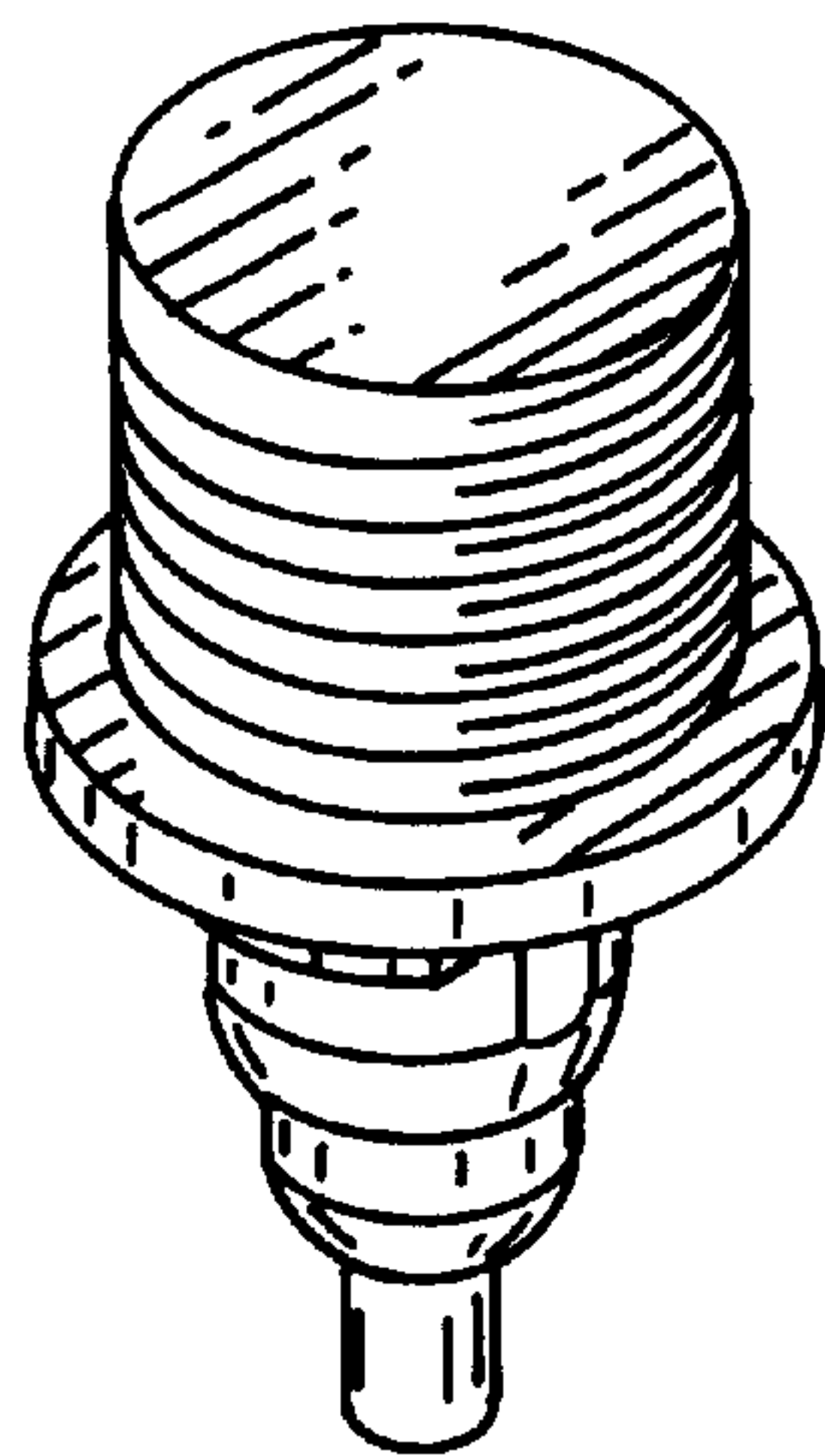


FIG. 1

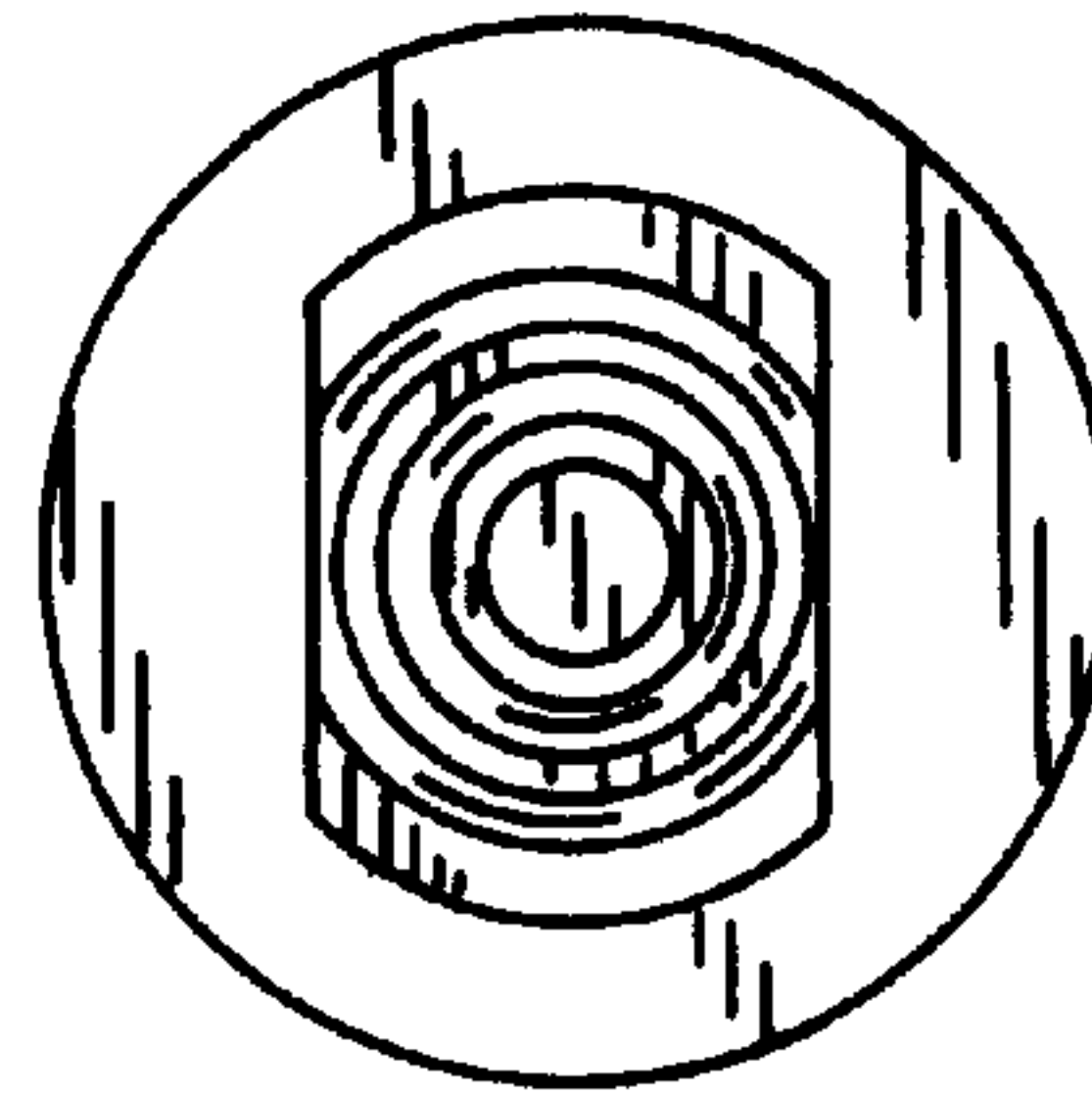


FIG. 2

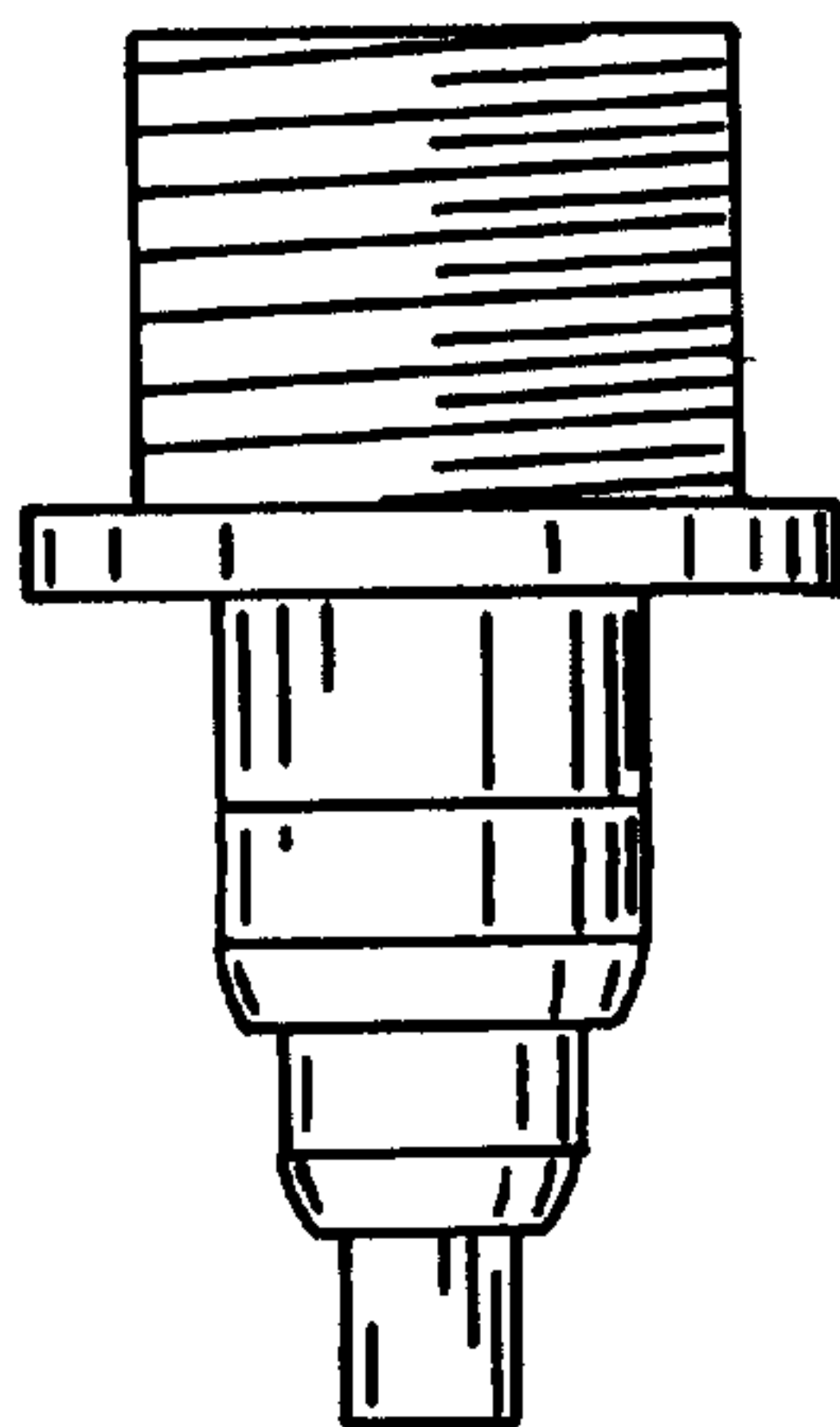


FIG 3

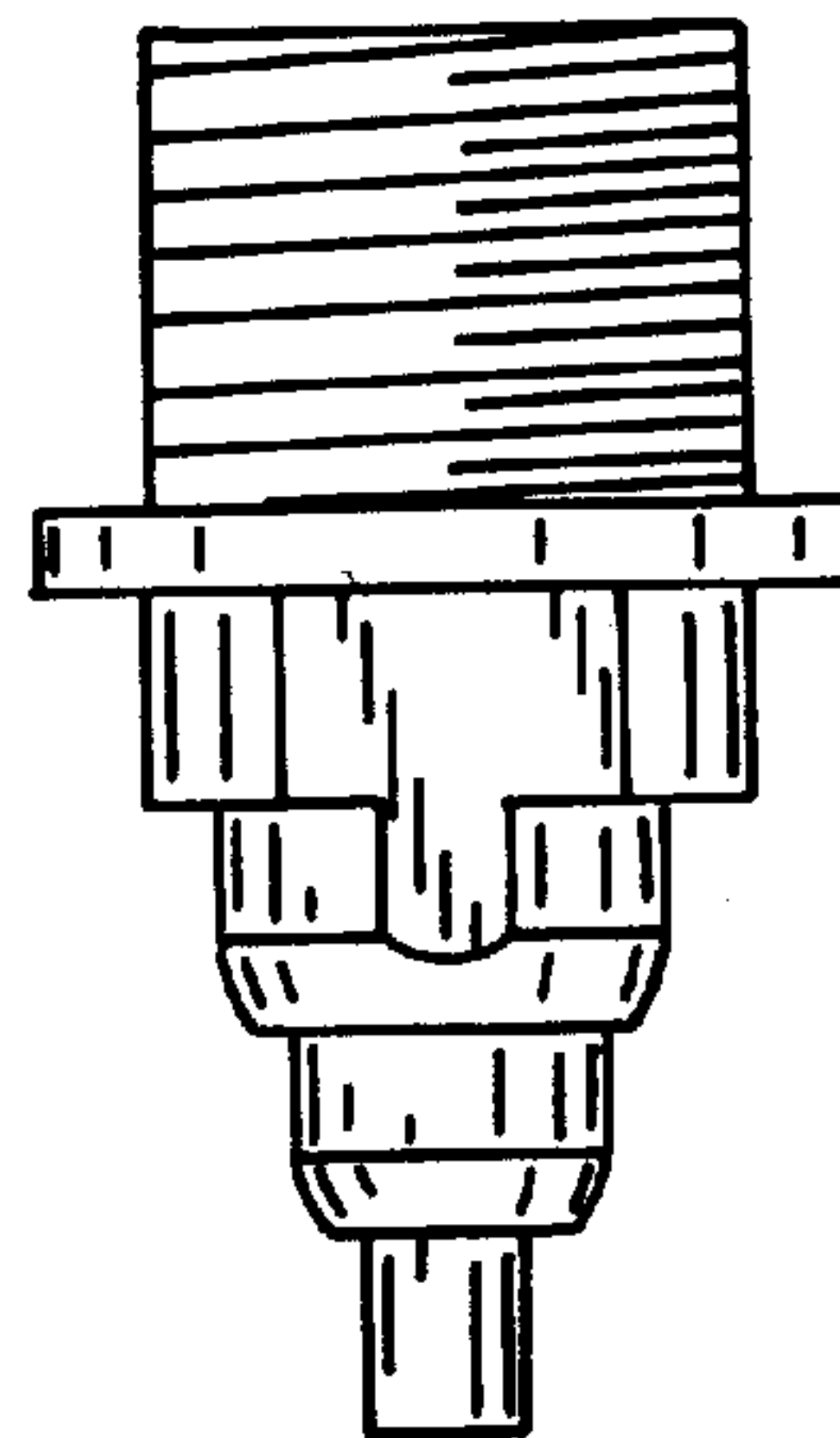


FIG 4

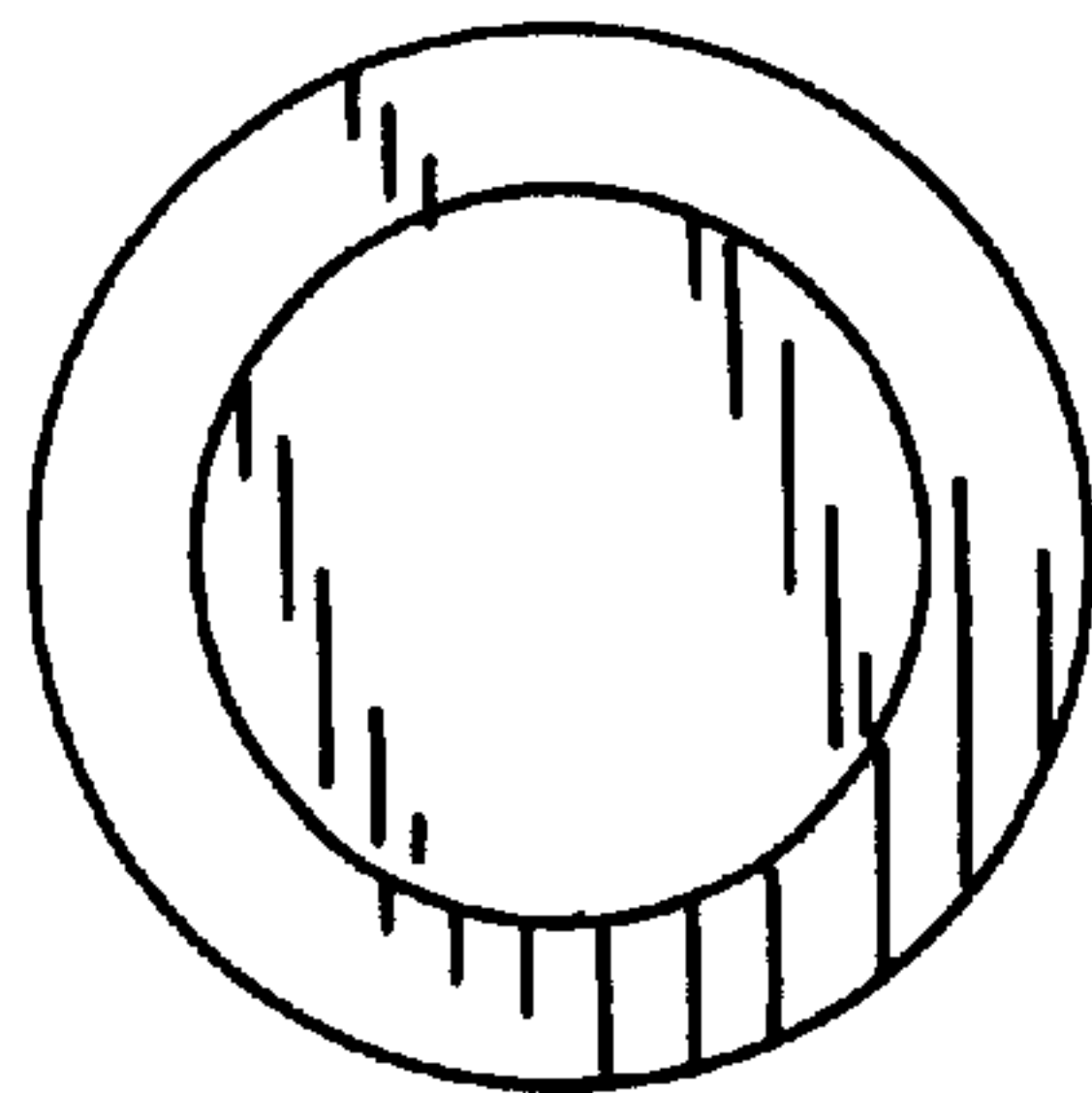


FIG. 5