



US00D439728S

(12) **United States Design Patent**
Smith

(10) **Patent No.:** **US D439,728 S**

(45) **Date of Patent:** **** Apr. 3, 2001**

(54) **GOLF VISOR**

5,433,436 7/1995 Hoyt et al. .
5,996,116 * 12/1999 Tate 2/12

(76) Inventor: **James E. Smith**, 2609 Pheasant Run
La., Spring City, PA (US) 19475

FOREIGN PATENT DOCUMENTS

(**) Term: **14 Years**

300428 11/1928 (GB) .

* cited by examiner

(21) Appl. No.: **29/120,808**

Primary Examiner—Paula A. Mortimer

(22) Filed: **Mar. 27, 2000**

(74) *Attorney, Agent, or Firm*—Volpe & Koenig, PC

(51) **LOC (7) Cl.** **02-03**

(57) **CLAIM**

(52) **U.S. Cl.** **D2/876; D2/866**

The ornamental design for a golf visor, as shown and described.

(58) **Field of Search** D2/865, 866, 871,
D2/877, 873, 875, 876, 879, 882, 893;
2/12, 171, 181, 195.1; D29/109

DESCRIPTION

(56) **References Cited**

FIG. 1 is an isometric view from the front and above of a golf visor showing my new design;
FIG. 2 is a front elevational view of the golf visor of FIG. 1.
FIG. 3 is a rear elevational view of the golf visor of FIG. 1.
FIG. 4 is a left side elevational view of the golf visor of FIG. 1.
FIG. 5 is a right side elevational view of the golf visor of FIG. 1.
FIG. 6 is a top plan view of the golf visor of FIG. 1; and,
FIG. 7 is a bottom plan view of the golf visor of FIG. 1.
The broken lines in the various figures form no part of the claimed design.

U.S. PATENT DOCUMENTS

D. 160,404	10/1950	Levine .	
D. 206,191	* 11/1966	Lawrence	D29/109
D. 285,141	* 8/1986	Whisman	D2/866
D. 356,657	3/1995	Hauswald .	
D. 384,488	* 10/1997	Kaufman	D2/866
D. 396,738	* 8/1998	Territo	D2/866
1,664,255	3/1928	Lesser .	
1,723,276	8/1929	Gottlieb .	
4,069,954	1/1978	Rauch .	
4,312,076	1/1982	Gamm .	
4,960,239	10/1990	Wait .	
5,131,094	* 7/1992	Ackerman	2/12

1 Claim, 2 Drawing Sheets

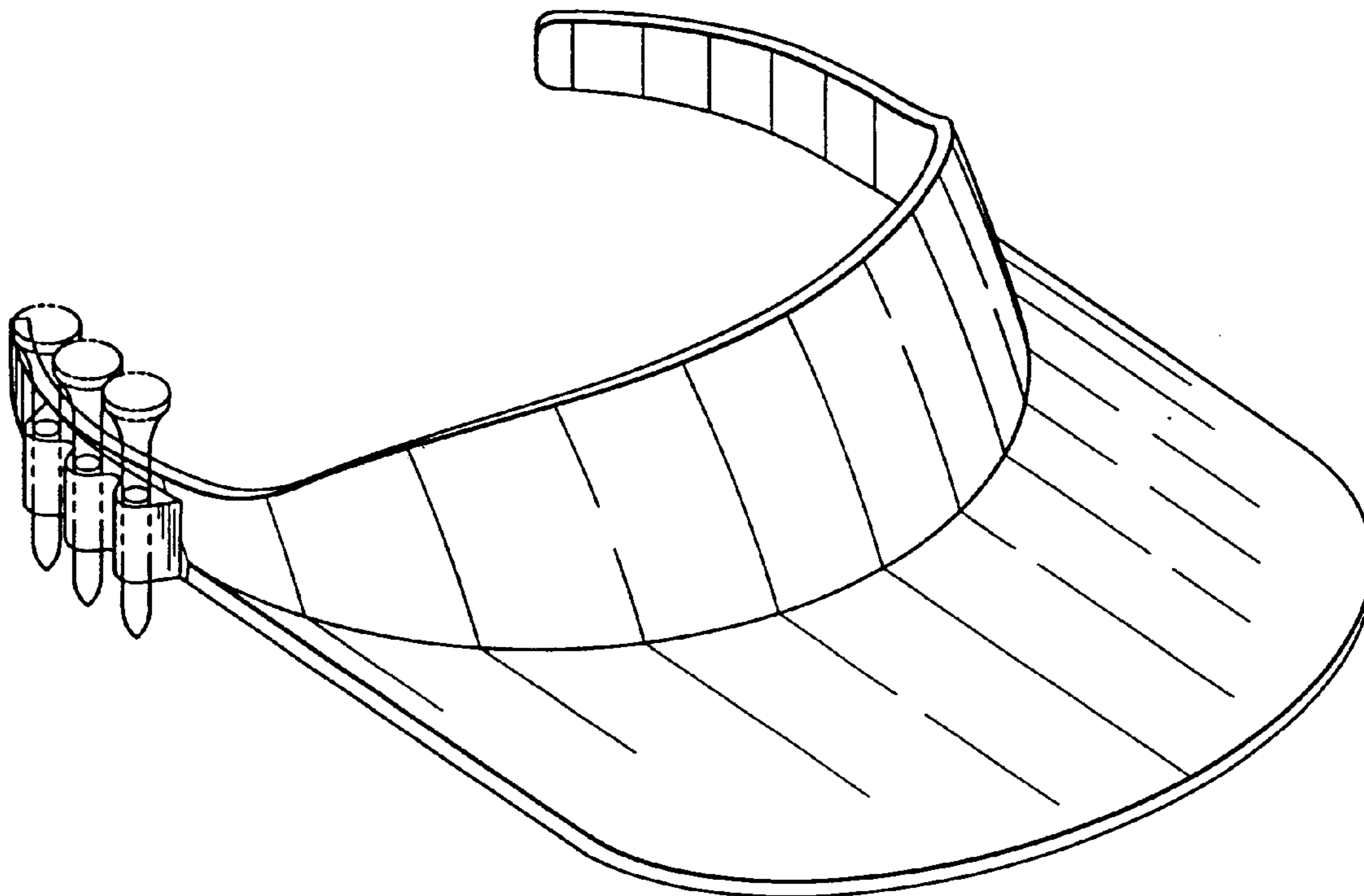


FIG. 1

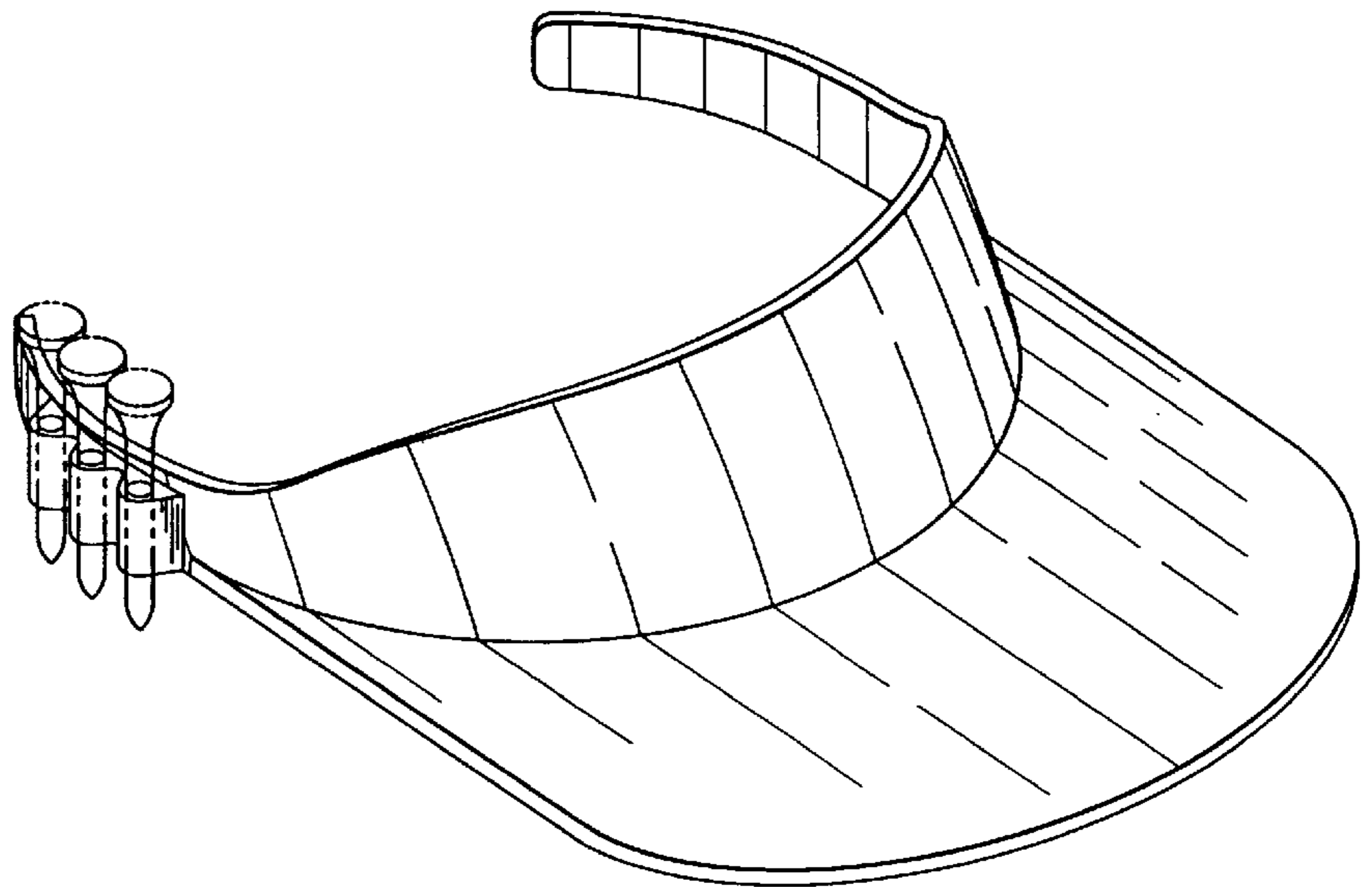


FIG. 2

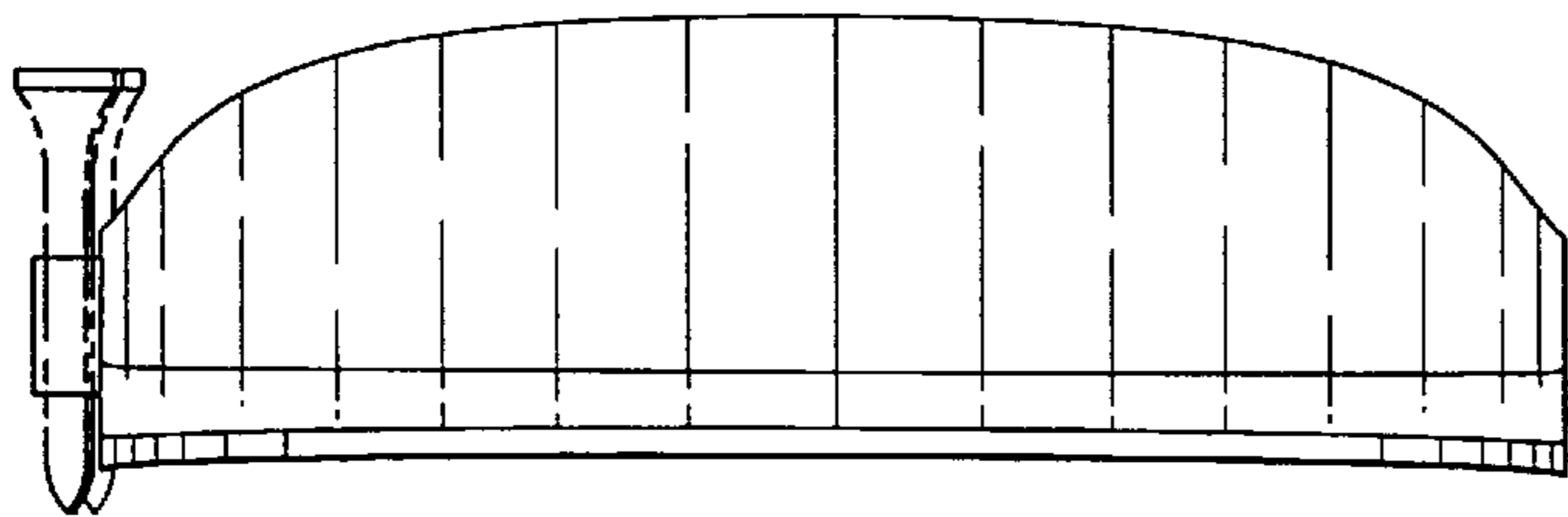


FIG. 3

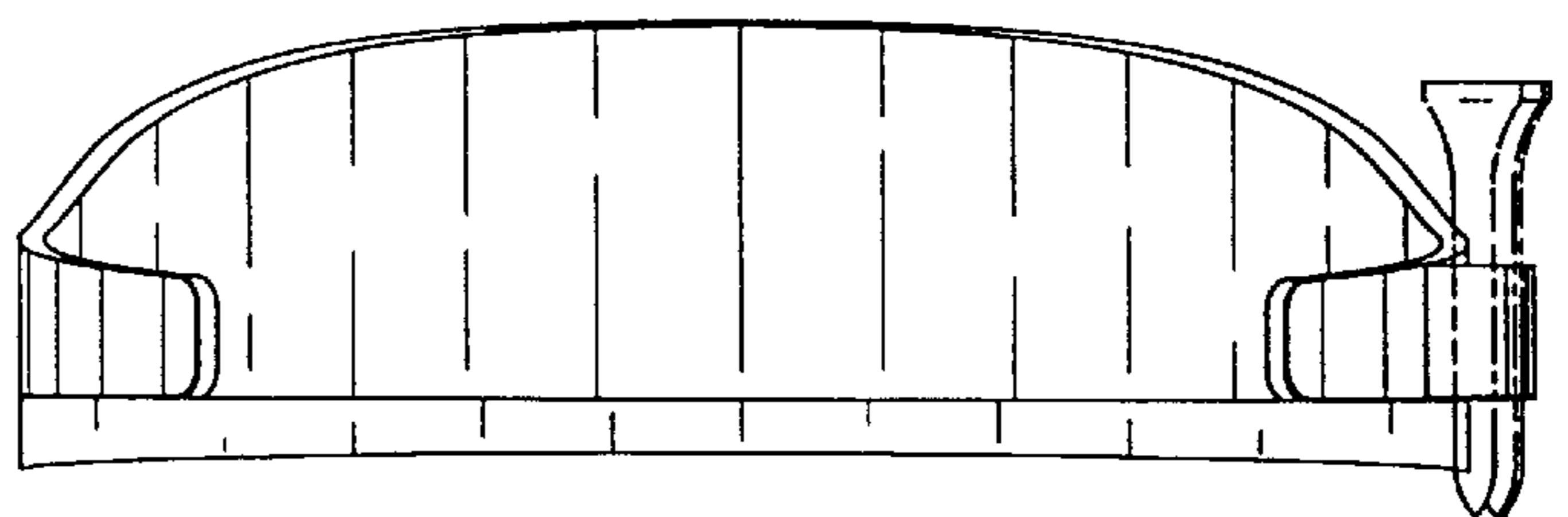


FIG. 4

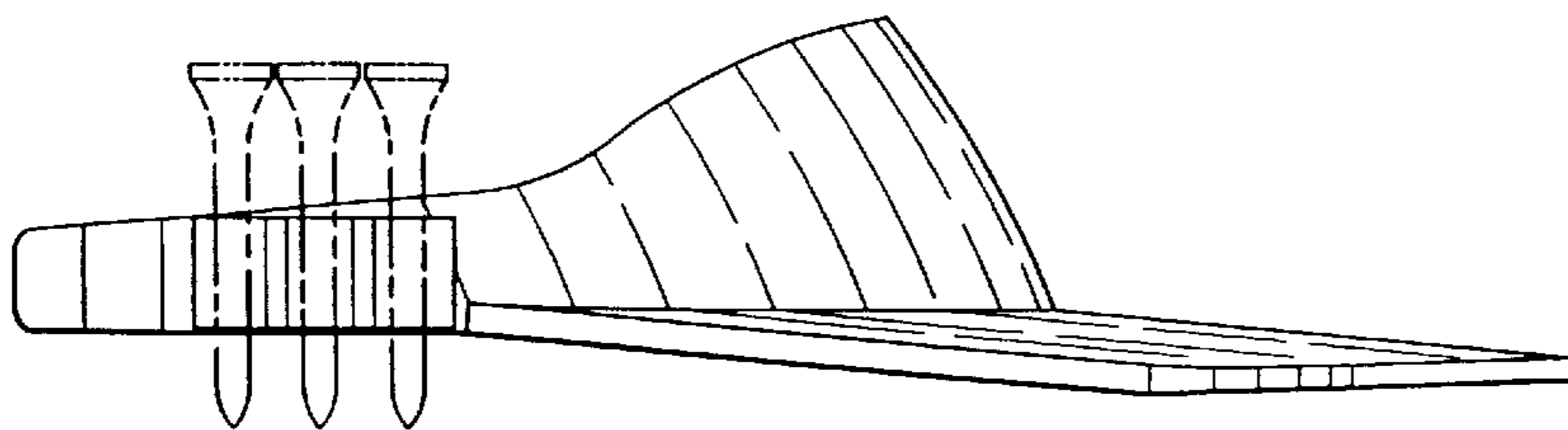


FIG. 5

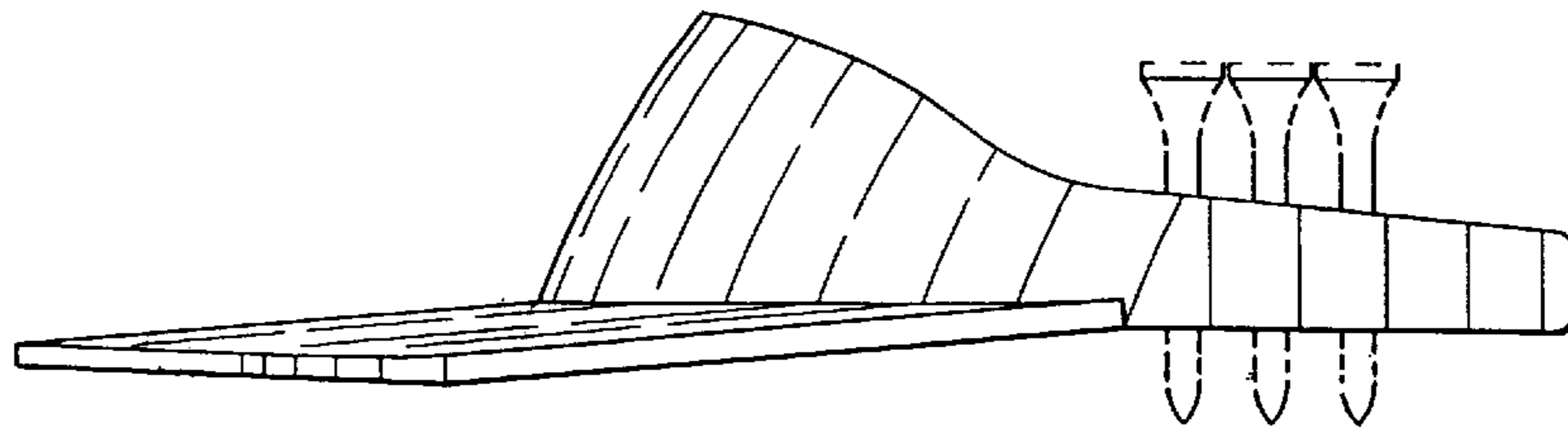


FIG. 6

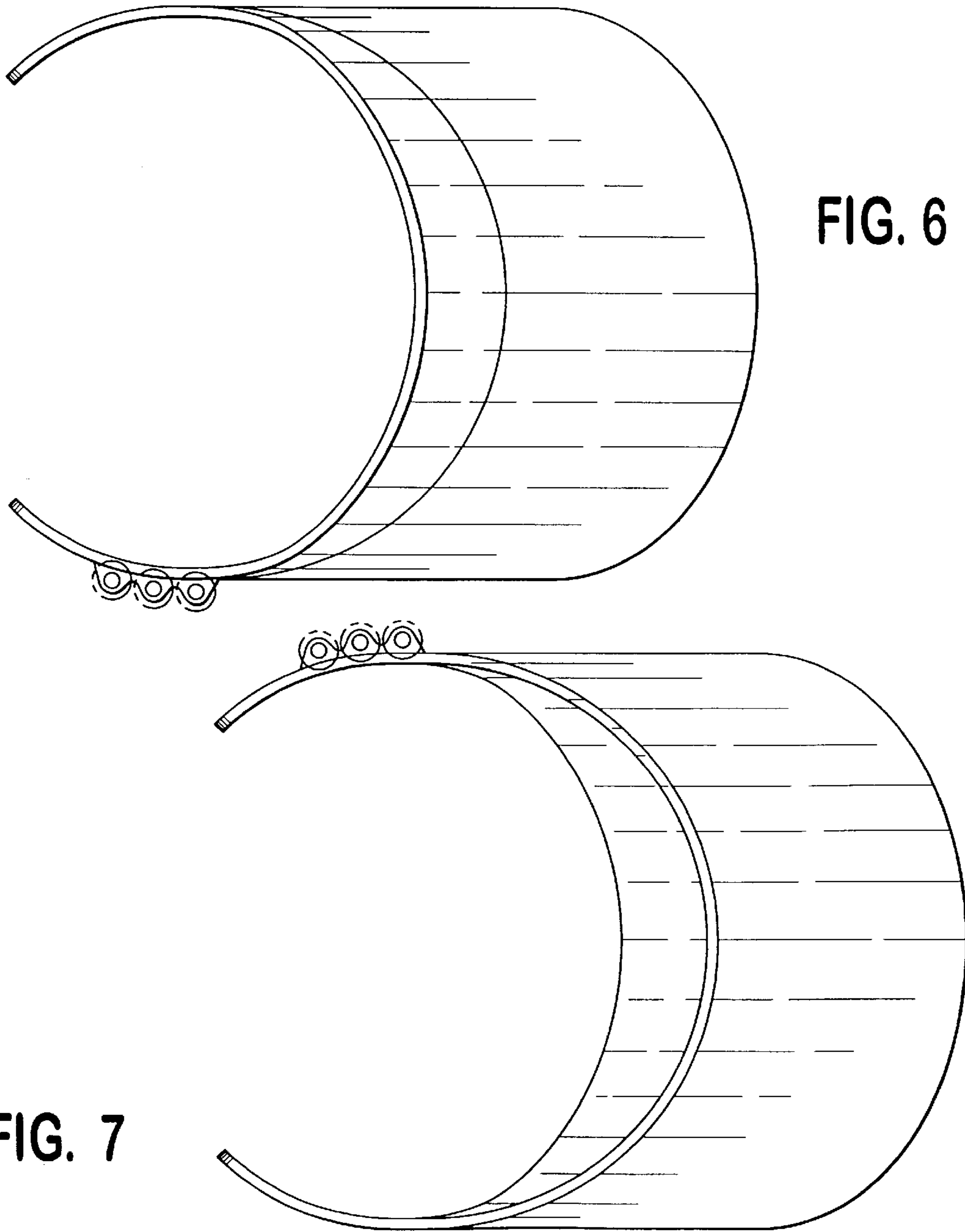


FIG. 7