



US00D439723S

(12) **United States Design Patent**
Avery

(10) **Patent No.:** **US D439,723 S**

(45) **Date of Patent:** **** Mar. 27, 2001**

(54) **OUTBOARD BOAT MOTOR MAILBOX**

(76) Inventor: **Daniel L. Avery**, 6352 Bear Trail,
Weeki Wachi, FL (US) 34607

(**) Term: **14 Years**

(21) Appl. No.: **29/119,964**

(22) Filed: **Mar. 10, 2000**

(51) **LOC (7) Cl.** **99-00**

(52) **U.S. Cl.** **D99/30**

(58) **Field of Search** D99/28, 29, 30,
D99/31, 32; 440/53, 52, 77; 446/162, 163,
164, 165; 232/17, 19, 33, 39

(56) **References Cited**

U.S. PATENT DOCUMENTS

D. 348,969	*	7/1994	Barbour	D99/30
D. 376,250	*	12/1996	Conley, Jr.	D99/30
D. 377,706	*	1/1997	Perrish	D99/30
D. 385,678	*	10/1997	Fitzgerald et al.	D99/29
D. 418,272	*	12/1999	Hiott	D99/30
2,890,674	*	6/1959	Rose	440/52
5,950,918	*	9/1999	McDonough	232/17
6,106,342	*	8/2000	Kameoka	440/53

* cited by examiner

Primary Examiner—Paula A. Mortimer

(74) *Attorney, Agent, or Firm*—Louis J. Brunoforte

(57) **CLAIM**

The ornamental design for an outboard boat motor mailbox,
as shown and described.

DESCRIPTION

FIG. 1 is a left side elevational view of an outboard boat
motor mailbox showing the primary embodiment of my new
design;

FIG. 2 is a right side elevational view thereof;

FIG. 3 is a front side elevational view thereof;

FIG. 4 is a rear side elevational view thereof;

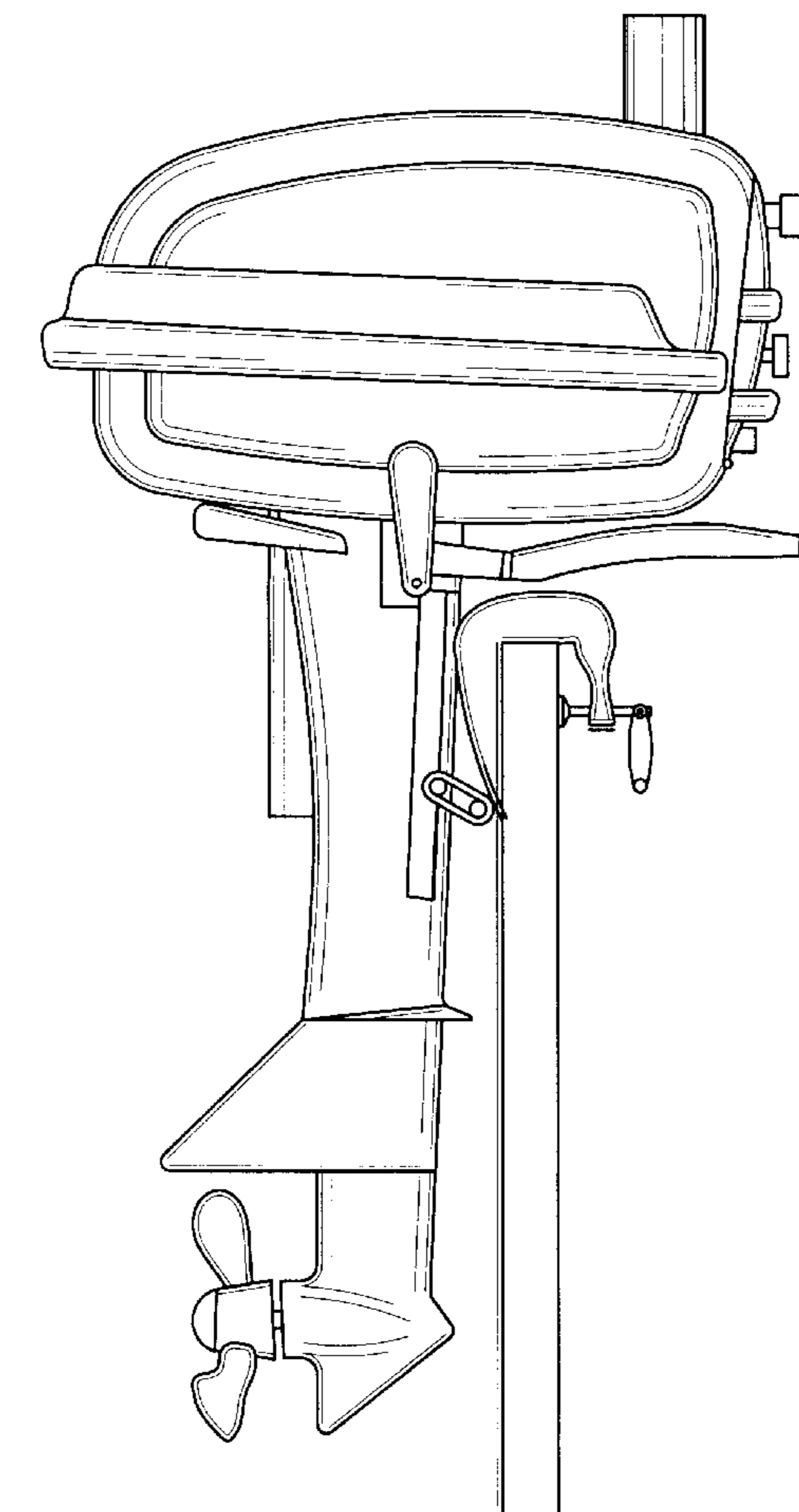
FIG. 5 is a top view thereof;

FIG. 6 is a bottom view thereof;

FIG. 7 is a left side elevational view of an outboard boat
motor mailbox, showing a second embodiment of my new
design; and,

FIG. 8 is a right side elevational view of the second
embodiment of my new design.

1 Claim, 4 Drawing Sheets



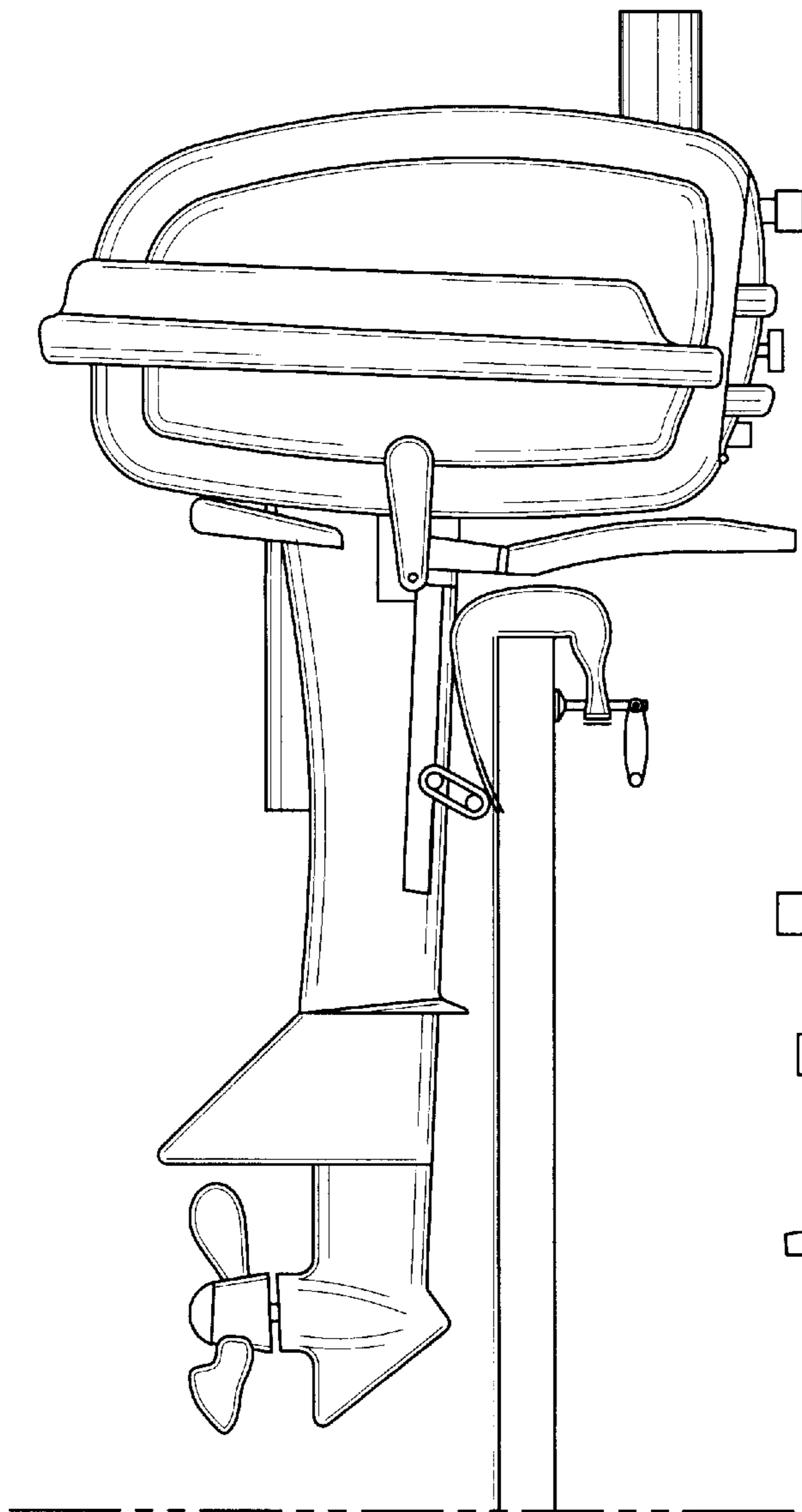


FIG. 1

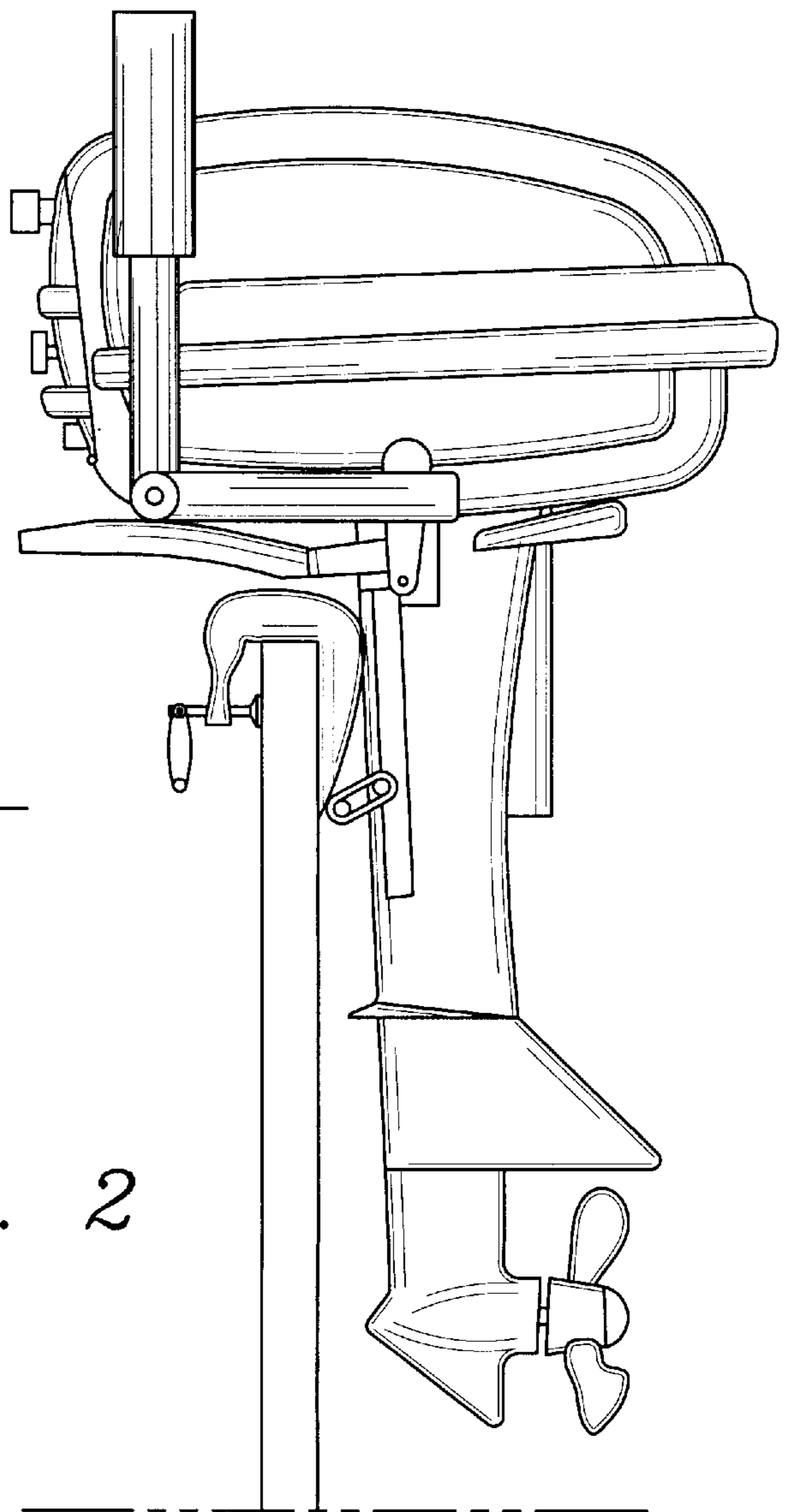


FIG. 2

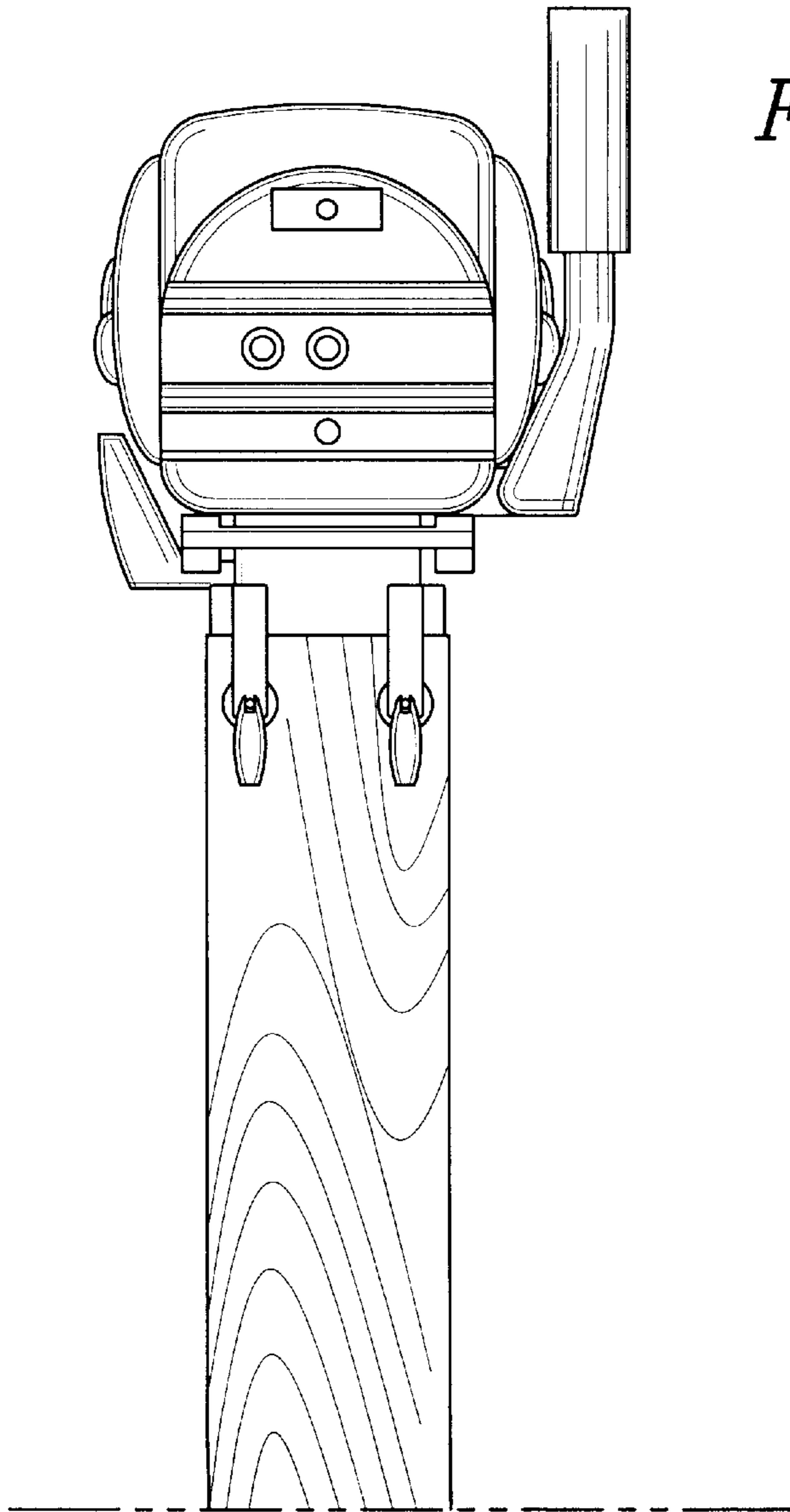


FIG. 3

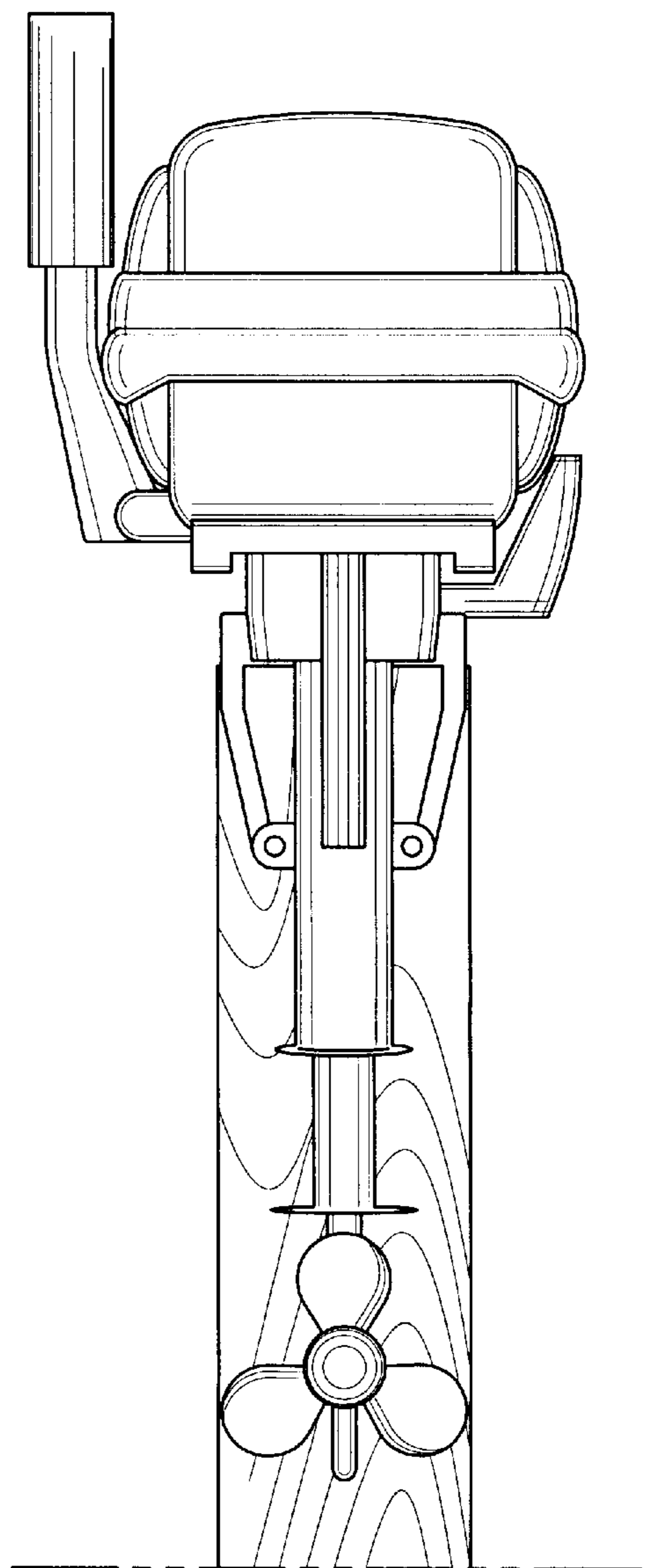


FIG. 4

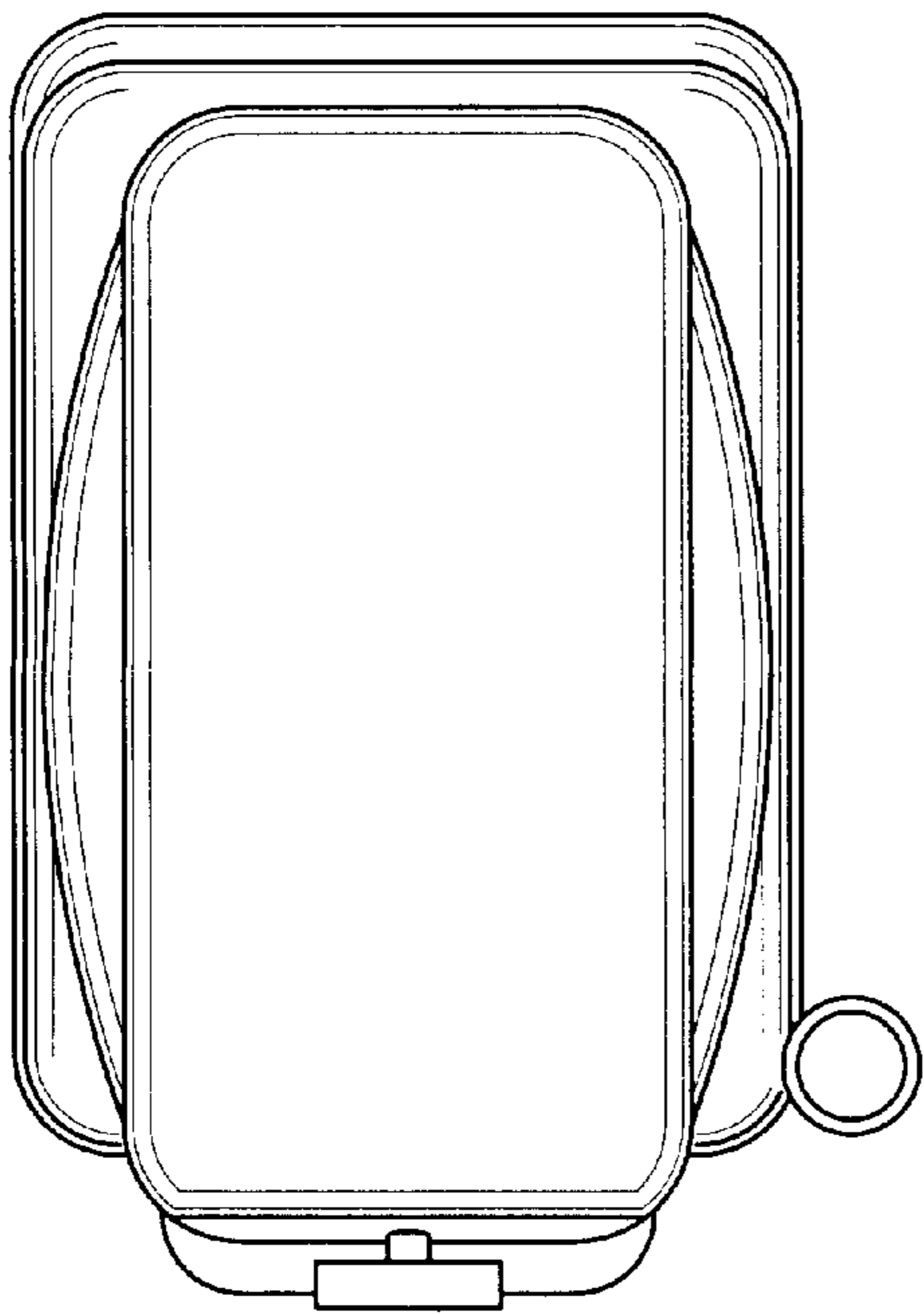
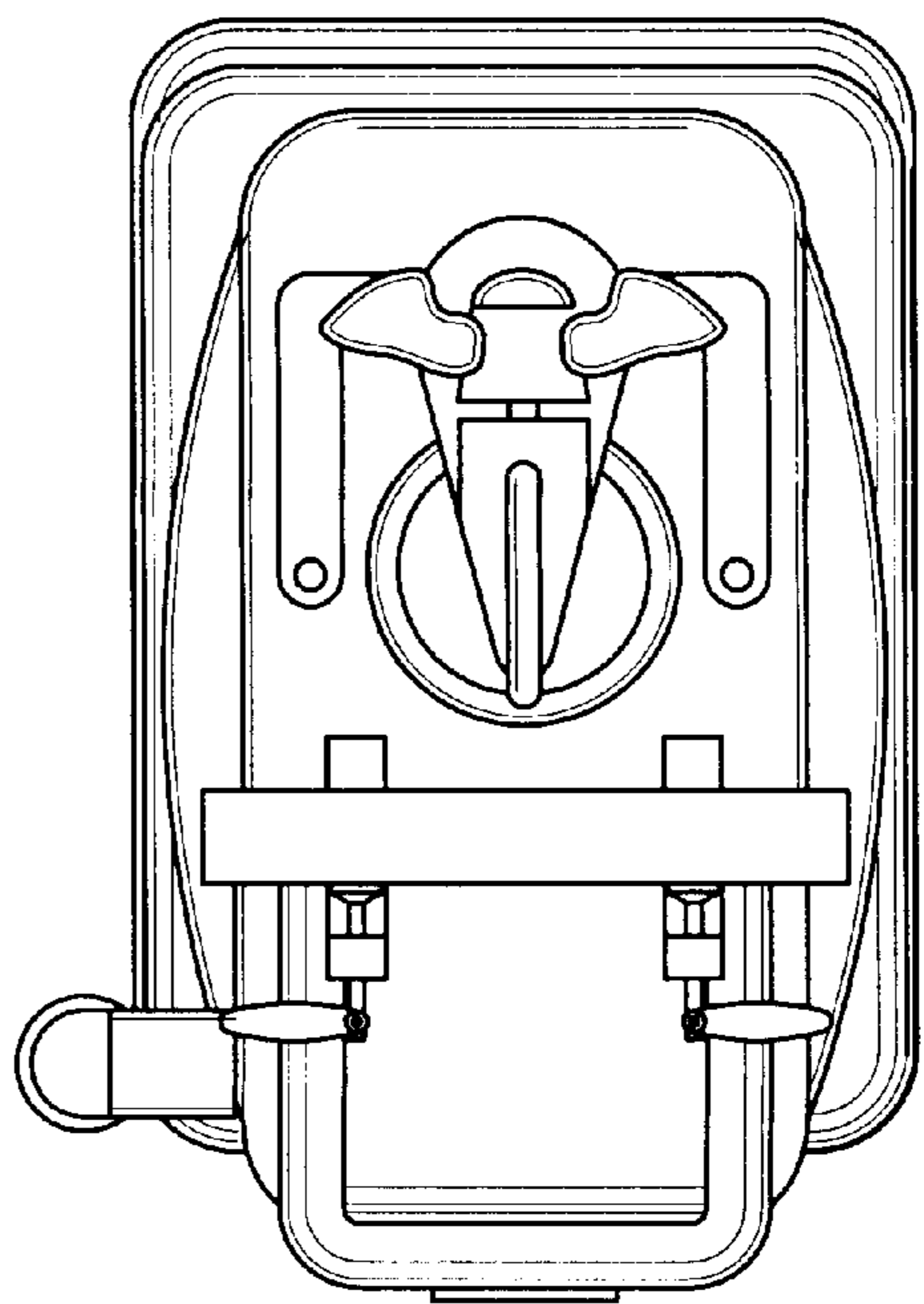


FIG. 5

FIG. 6



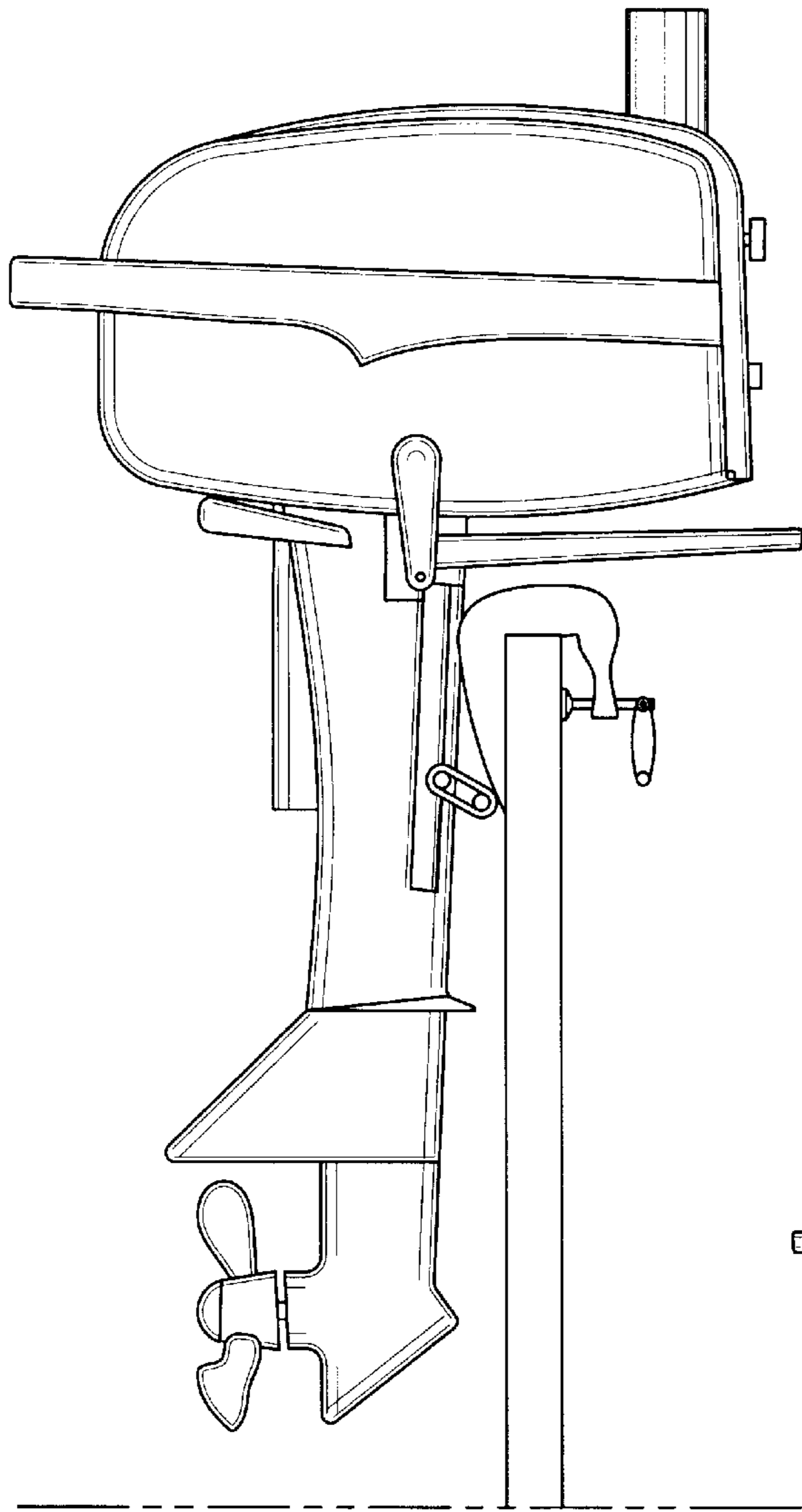


FIG. 7

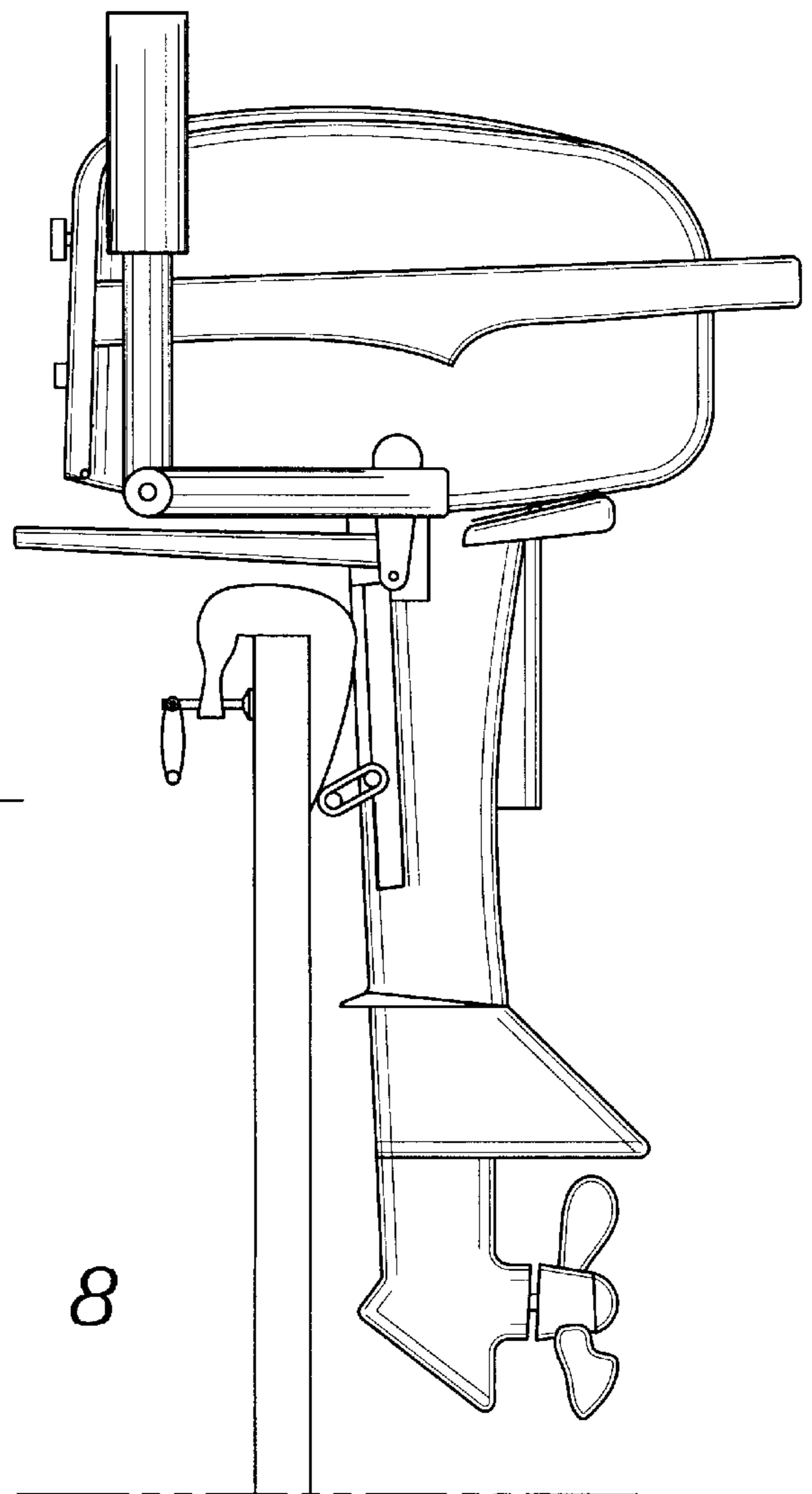


FIG. 8