



US00D439722S

(12) **United States Design Patent**  
**Huang**

(10) **Patent No.:** **US D439,722 S**

(45) **Date of Patent:** **\*\* Mar. 27, 2001**

(54) **ELECTRIC WINCH**

(76) Inventor: **Shih Jyi Huang**, No. 19, Alley 6, Lane 325, Chien Kang Road, Taipei (TW)

(\*\*) Term: **14 Years**

(21) Appl. No.: **29/124,946**

(22) Filed: **Jun. 14, 2000**

(51) **LOC (7) Cl.** ..... **12-05**

(52) **U.S. Cl.** ..... **D34/33**

(58) **Field of Search** ..... D34/28, 33, 35;  
280/490.1; 254/382, 374, 356, 380; 294/82.11;  
D12/162

(56) **References Cited**

**U.S. PATENT DOCUMENTS**

D. 238,861	*	2/1976	Cavallery	.....	D34/33
D. 307,965	*	5/1990	Eley et al.	.....	D34/34
D. 309,969	*	8/1990	Tamura	.....	D34/33
D. 330,962	*	11/1992	Cundy et al.	.....	D34/33
D. 364,027	*	11/1995	Hung	.....	D34/33
D. 411,364	*	6/1999	Sasaki et al.	.....	D34/33
1,945,712	*	2/1934	Wadd	.....	254/374
2,152,969	*	4/1939	Nash	.....	254/356
3,883,119	*	5/1975	Hansson	.....	254/356 X
4,003,552	*	1/1977	Sobelewski	.....	254/356 X

4,434,974 \* 3/1984 LaCount ..... 254/380

5,170,995 \* 12/1992 Bitsch et al. .... 254/380

5,573,091 \* 11/1996 Hung ..... 254/356

\* cited by examiner

*Primary Examiner*—Cynthia E Ramirez

(74) *Attorney, Agent, or Firm*—Bacon & Thomas, PLLC

(57) **CLAIM**

The ornamental design for an electric winch, as shown and described.

**DESCRIPTION**

FIG. 1 is a perspective view of an electric winch showing my new design;

FIG. 2 is a right side elevational view thereof;

FIG. 3 is a top plan view thereof;

FIG. 4 is a front elevational view thereof;

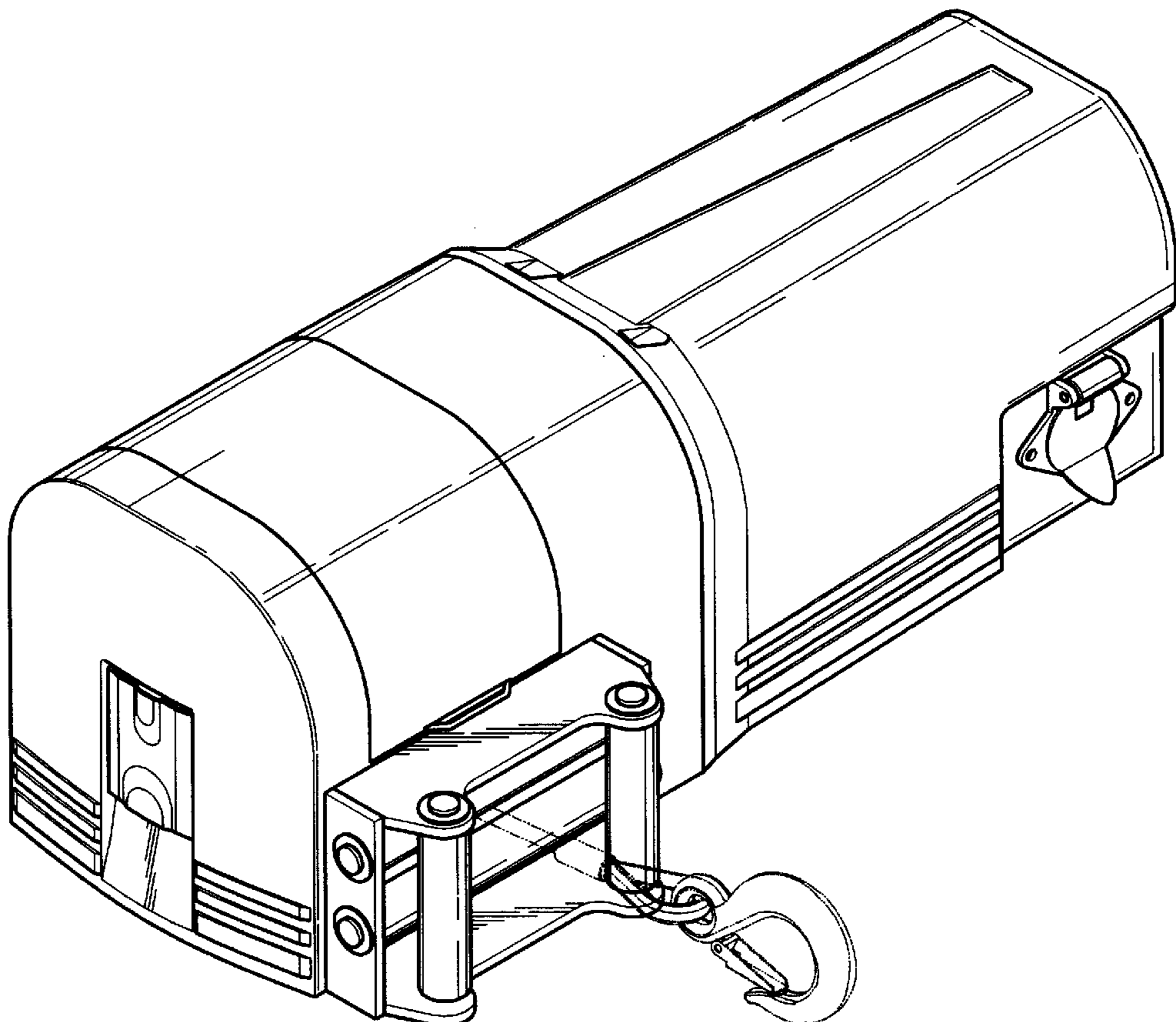
FIG. 5 is a bottom plan view thereof;

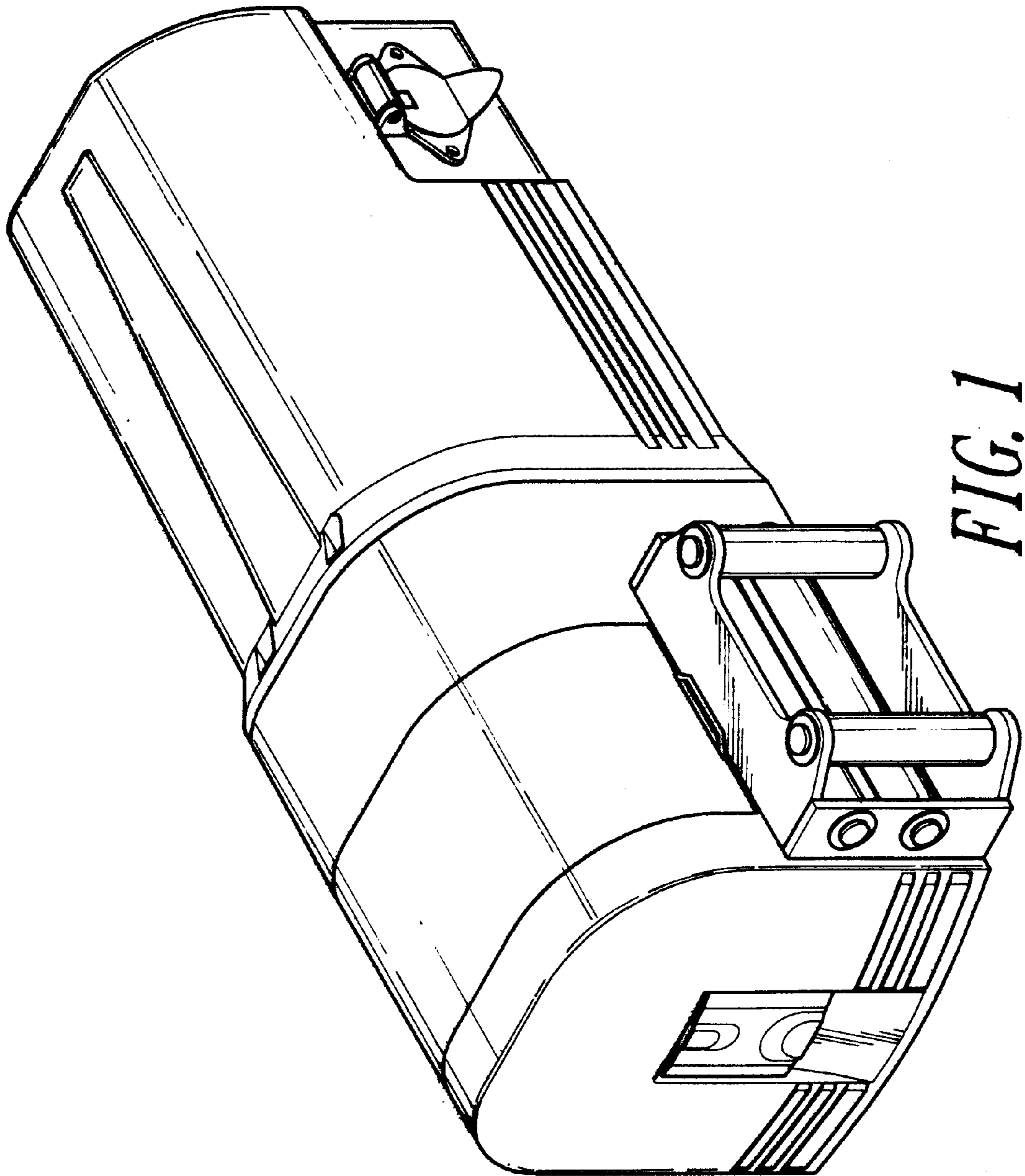
FIG. 6 is a left side elevational view thereof; and,

FIG. 7 is a rear elevational view thereof; and,

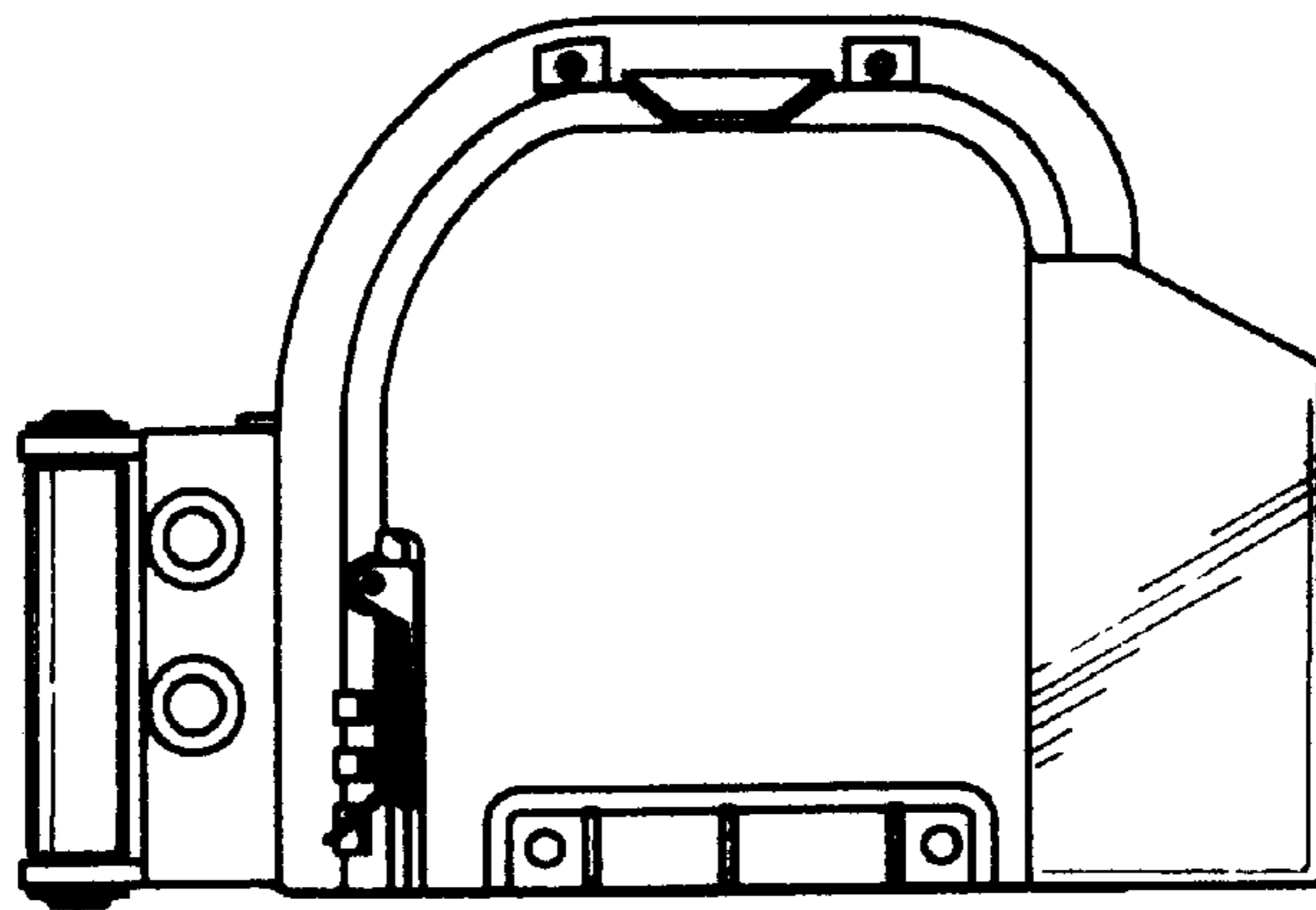
FIG. 8 is a perspective view of an electric winch embodying my new design, the cord and hook shown in broken lines are for illustrative purposes only and form no part of the claimed design.

**1 Claim, 5 Drawing Sheets**

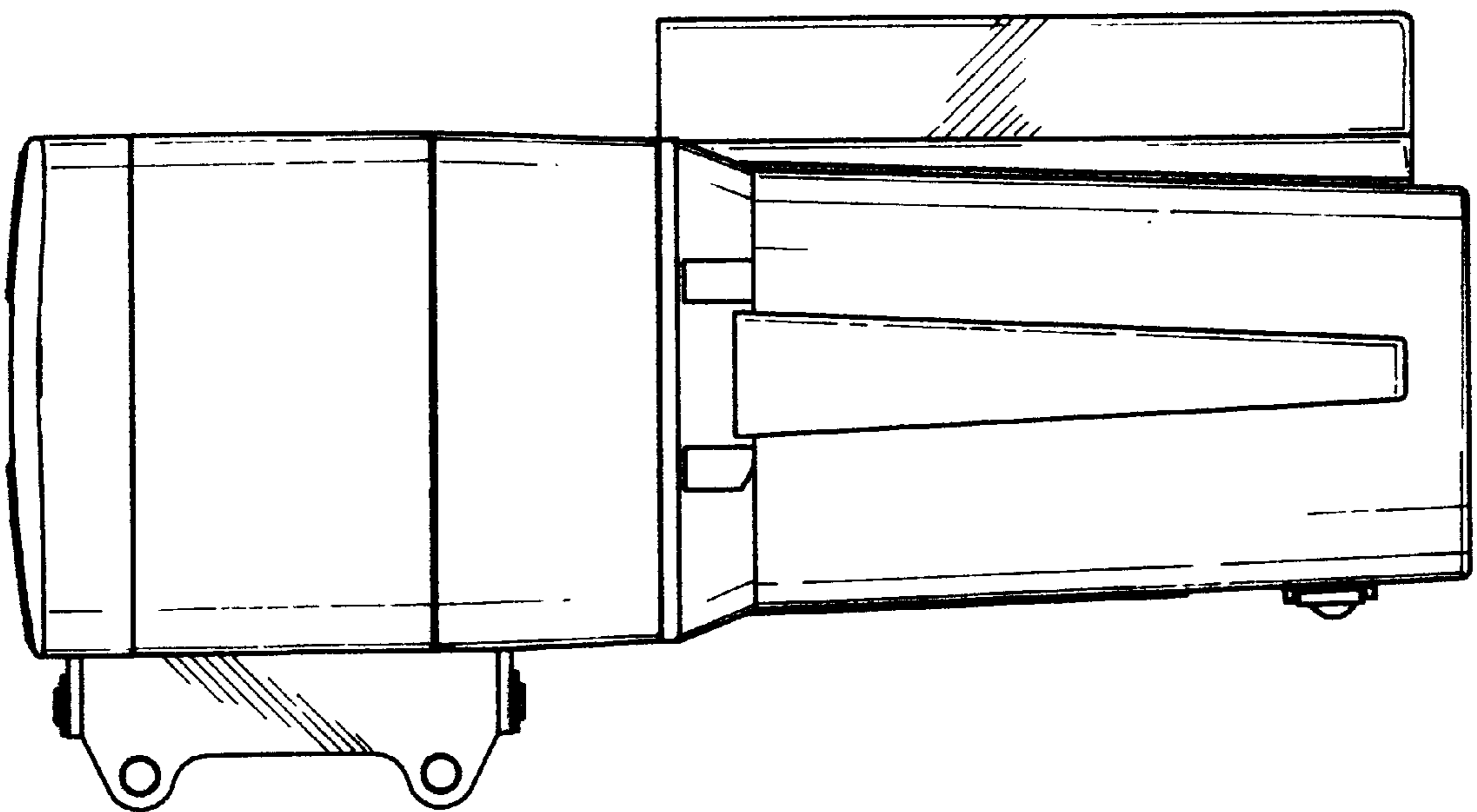




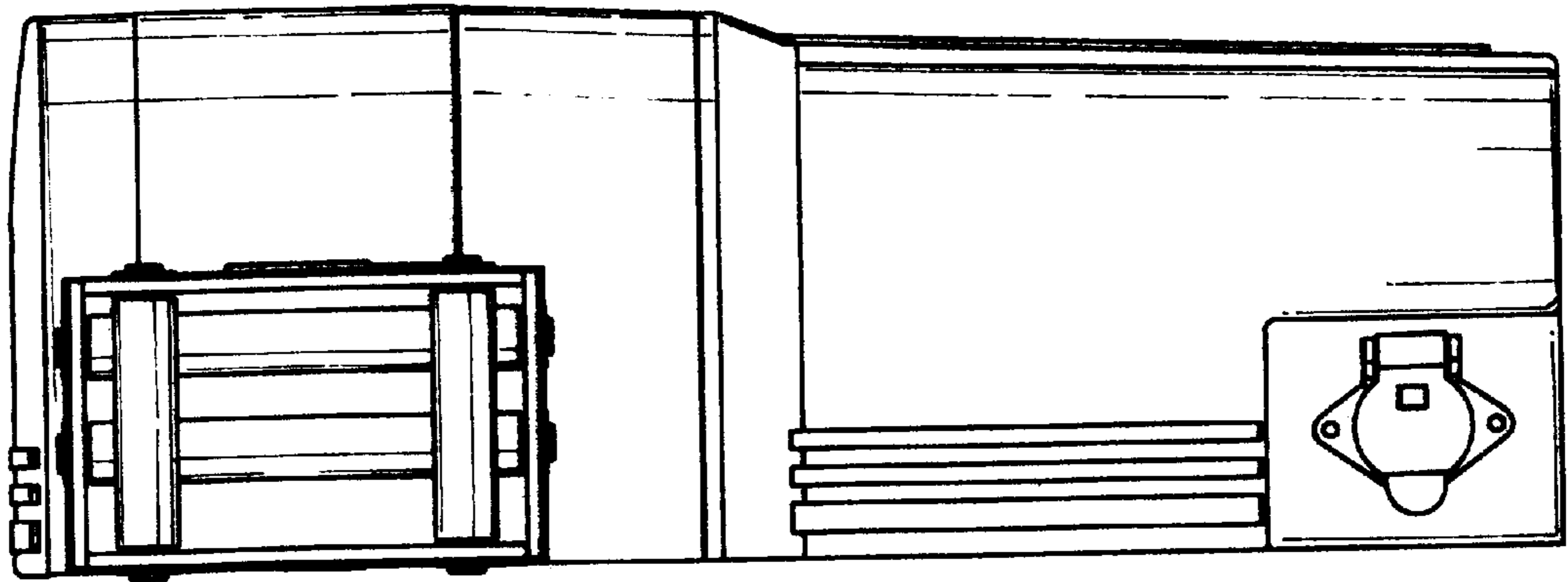
*FIG. 1*



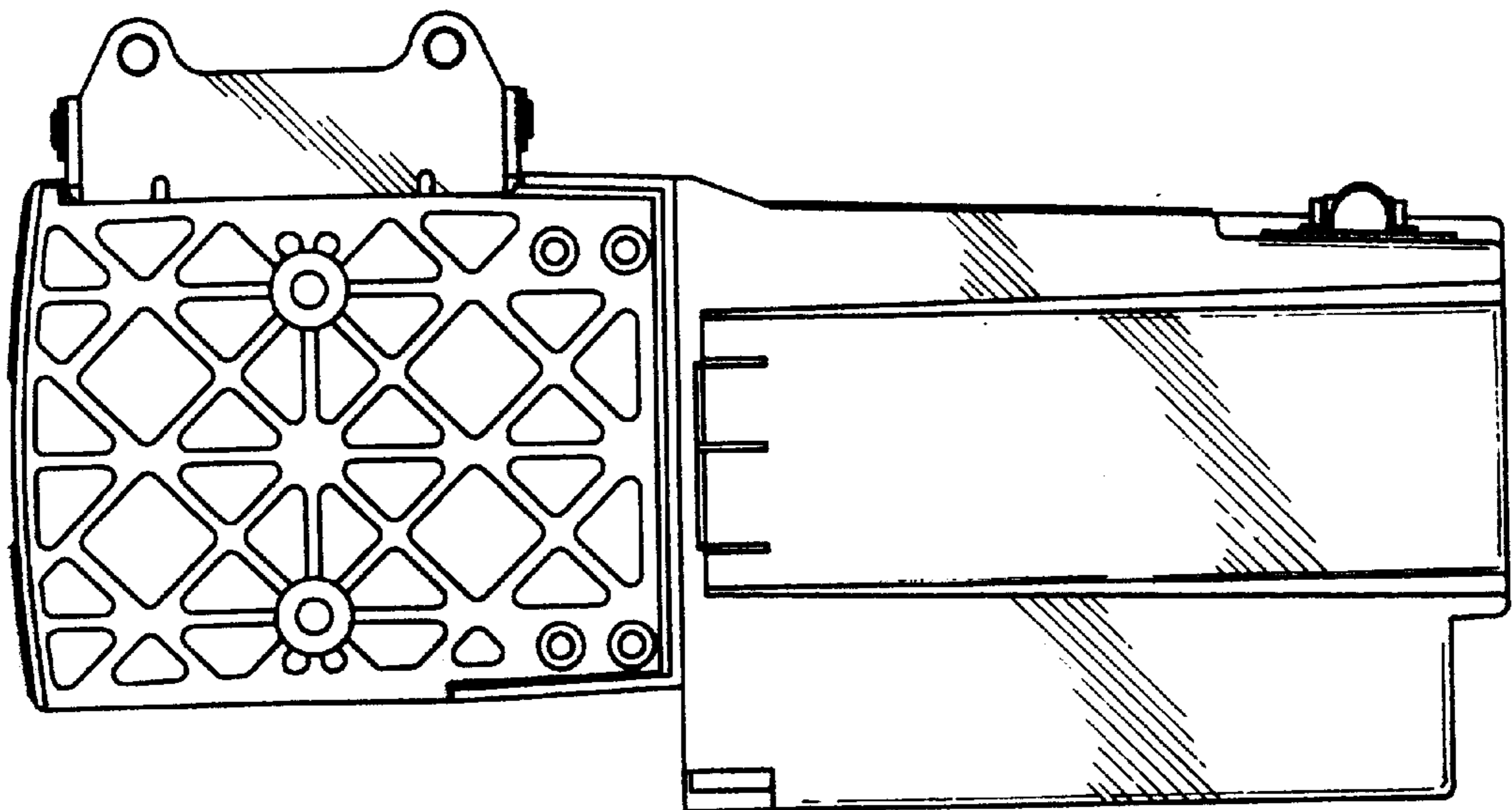
*FIG. 2*



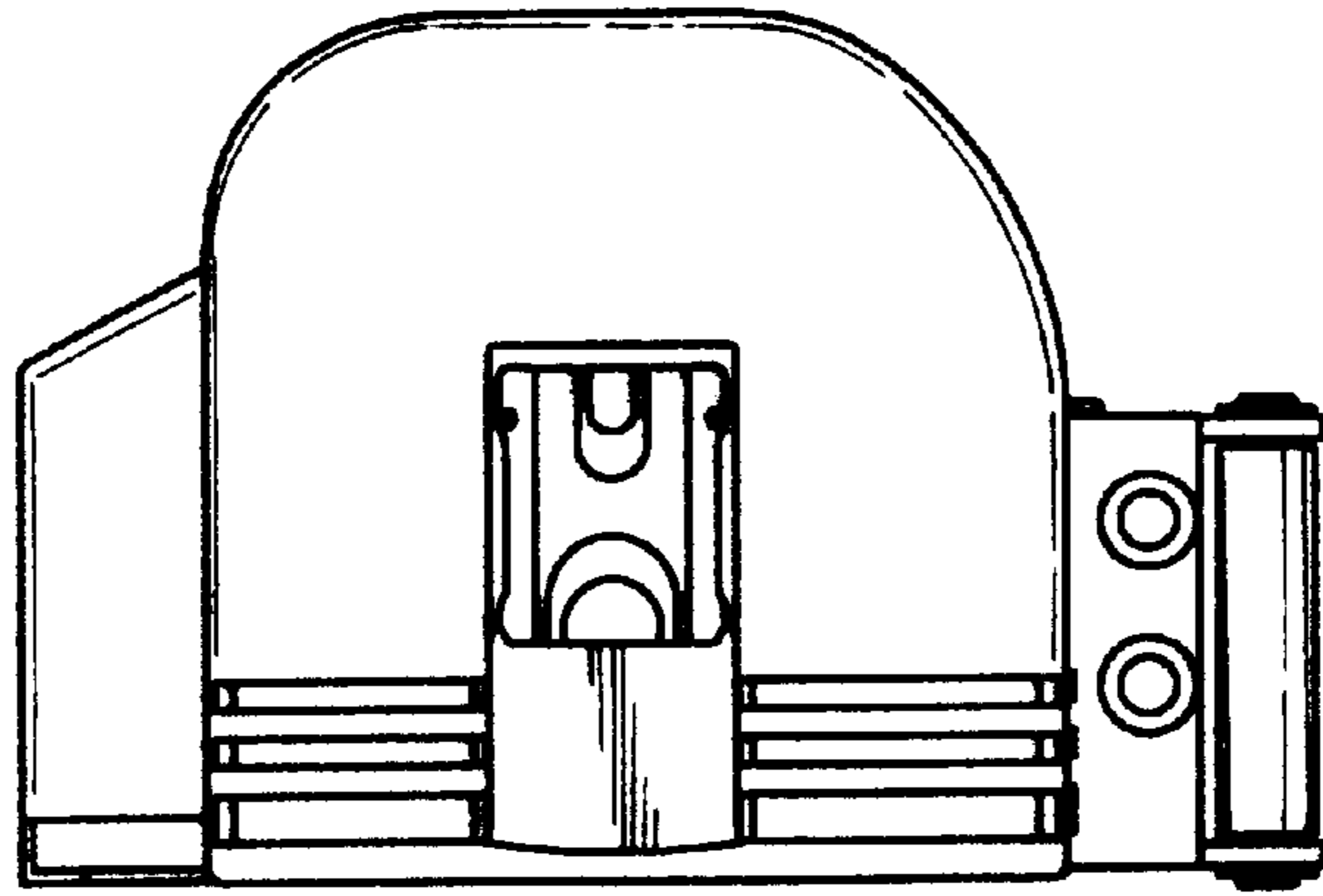
*FIG. 3*



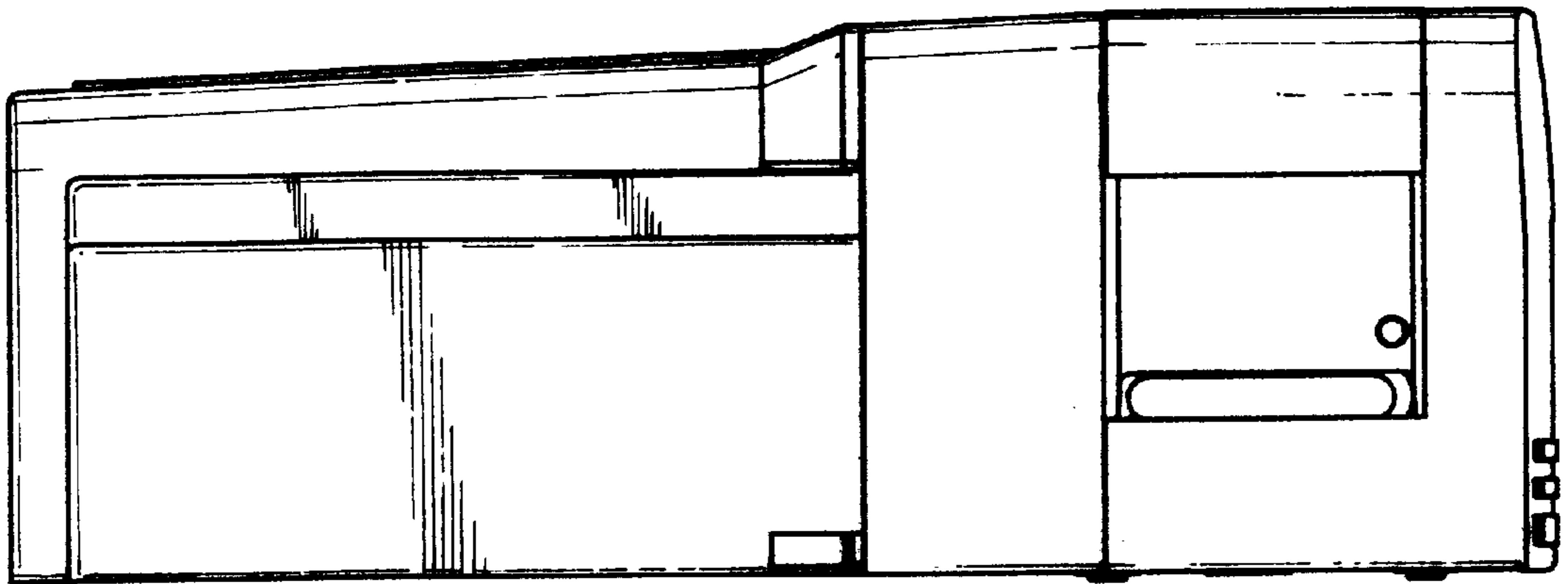
*FIG. 4*



*FIG. 5*



*FIG. 6*



*FIG. 7*

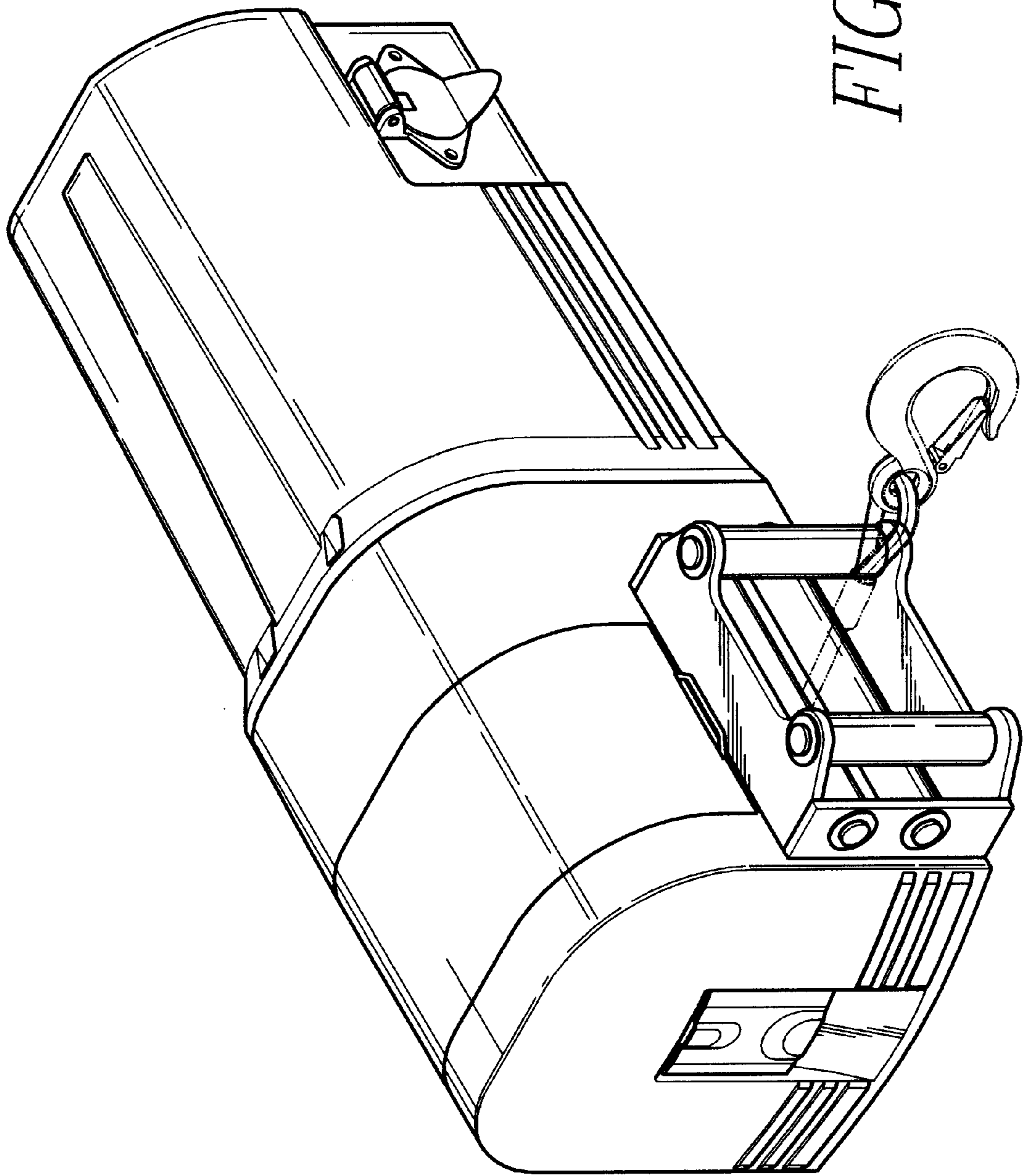


FIG. 8