



US00D439719S

(12) **United States Design Patent**
Kleinschmidt

(10) **Patent No.:** **US D439,719 S**

(45) **Date of Patent:** **** Mar. 27, 2001**

(54) **CART**

(76) **Inventor:** **John Frank Kleinschmidt**, 1316
Webford Ave., Des Plaines, IL (US)
60016

(**) **Term:** **14 Years**

(21) **Appl. No.:** **29/120,682**

(22) **Filed:** **Mar. 25, 2000**

(51) **LOC (7) Cl.** **12-02**

(52) **U.S. Cl.** **D34/17; D34/12**

(58) **Field of Search** **D34/12-27; D6/462;**
280/79.3, 79.11, 651; 248/176, 129; 211/13,
41, 60 R

(56) **References Cited**

U.S. PATENT DOCUMENTS

D. 205,399 * 8/1966 O'Rear D34/18

D. 265,517 * 7/1982 Dunchock D34/17
D. 288,739 * 3/1987 Johnson, Jr. et al. D34/17
D. 385,077 * 10/1997 Hendrich D34/21
5,738,365 * 4/1998 McCarthy 280/651

* cited by examiner

Primary Examiner—Kay H. Chin

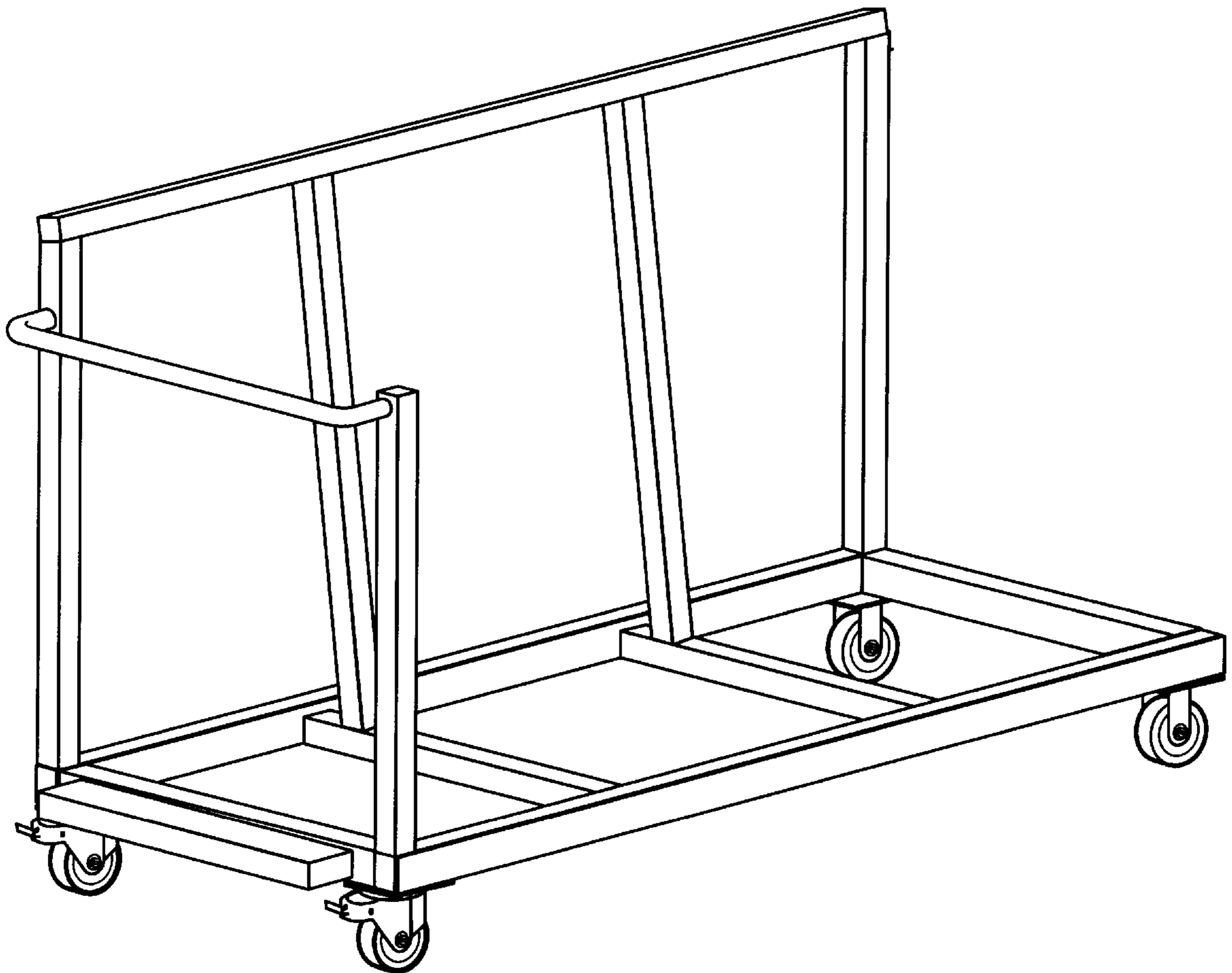
(57) **CLAIM**

The ornamental design for a cart, as shown and described.

DESCRIPTION

FIG. 1 is a front view thereof;
FIG. 2 is a bottom view thereof;
FIG. 3 is a end view thereof;
FIG. 4 is a top view thereof; and,
FIG. 5 is a perspective view thereof.

1 Claim, 5 Drawing Sheets



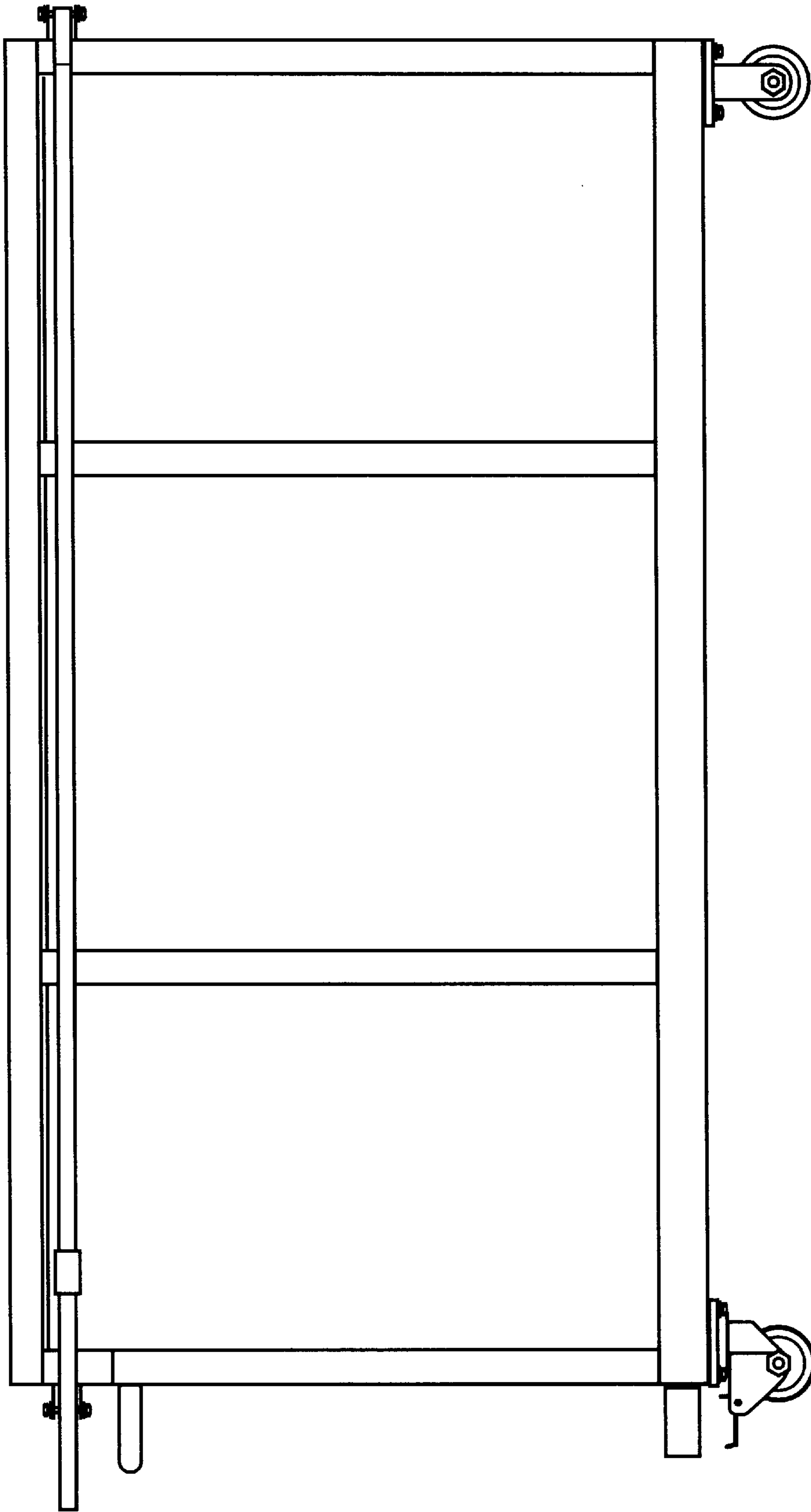


FIG. 1

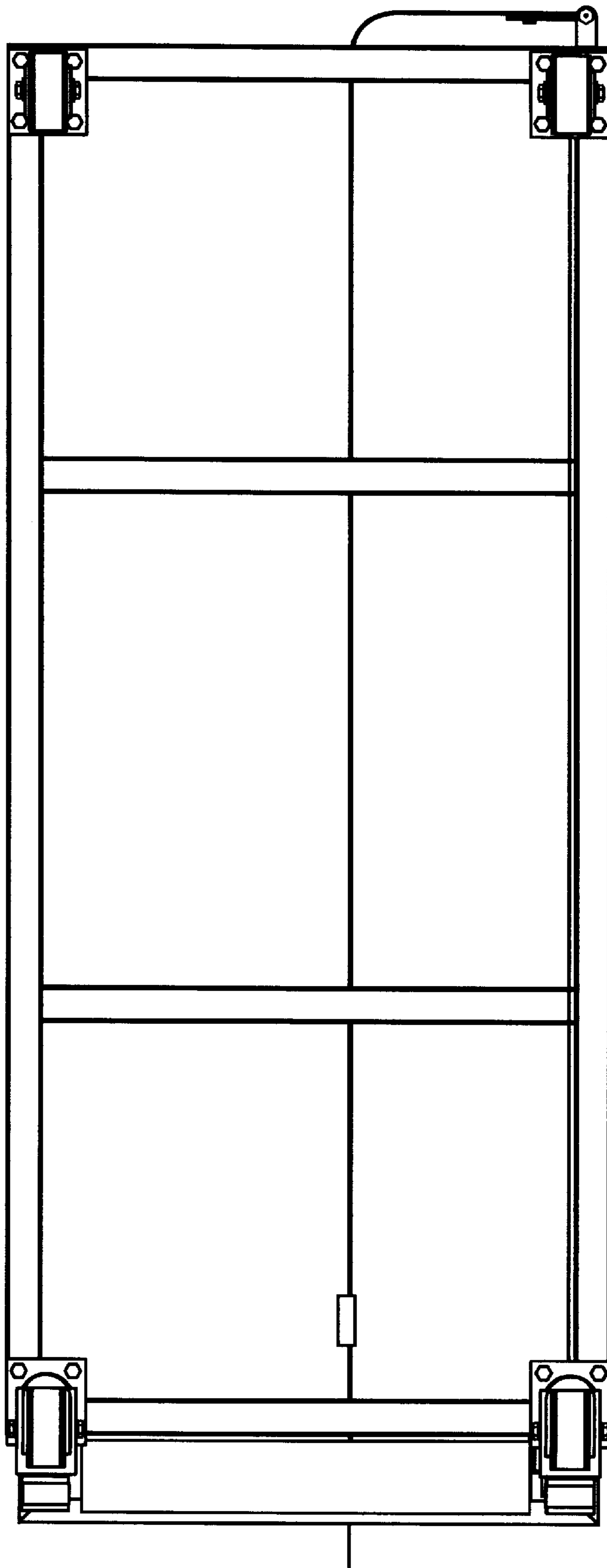


FIG. 2

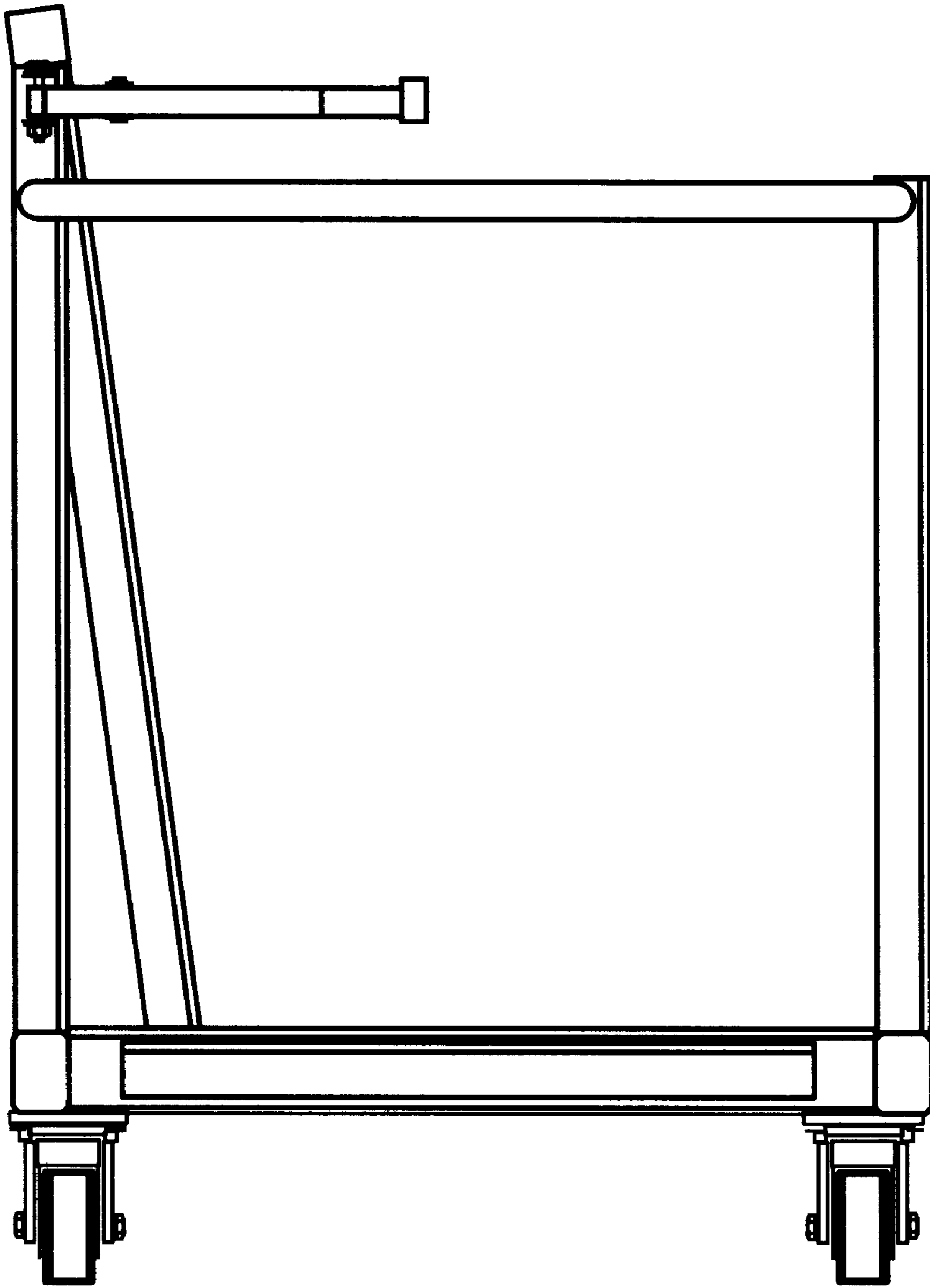


FIG. 3

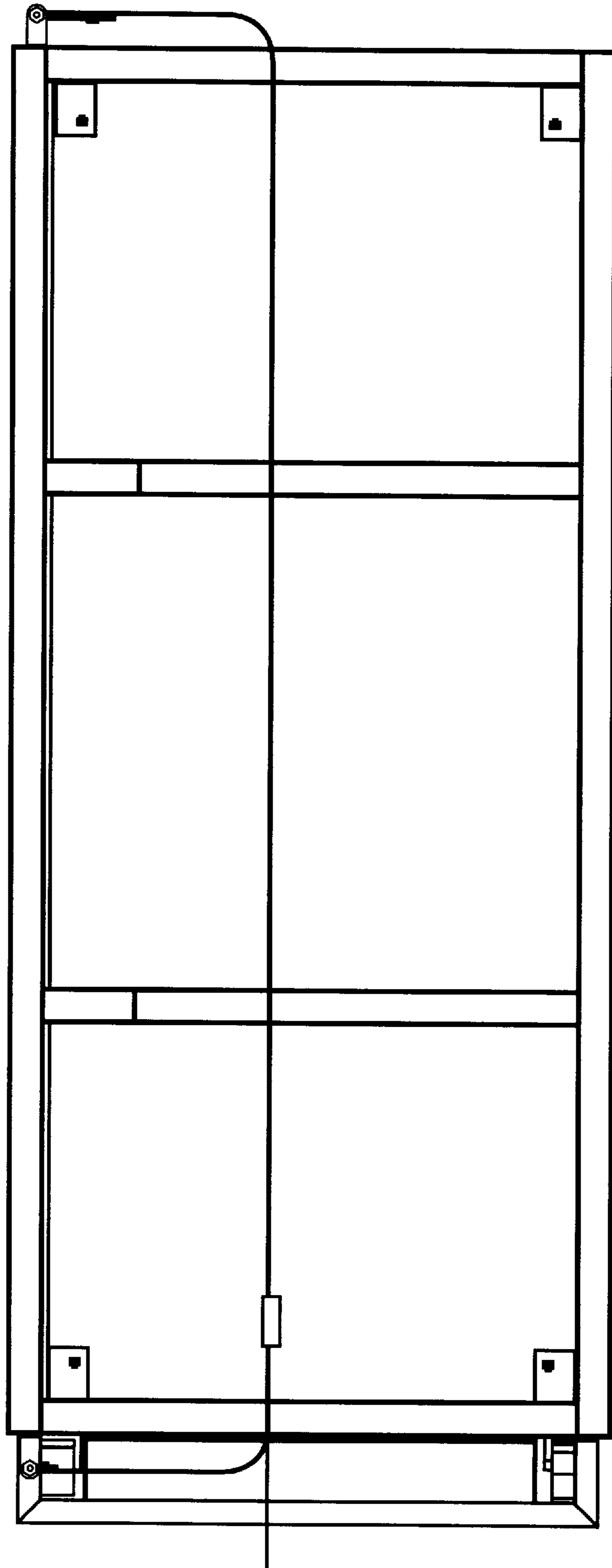


FIG. 4

