



US00D439717S

(12) **United States Design Patent**
Konieczny

(10) **Patent No.:** **US D439,717 S**

(45) **Date of Patent:** **** Mar. 27, 2001**

(54) **COMPOST BUCKET**

(76) Inventor: **Michael Konieczny**, 6015 Telegraph Rd., Alexandria, VA (US) 22310

(**) Term: **14 Years**

(21) Appl. No.: **29/114,229**

(22) Filed: **Nov. 22, 1999**

(51) **LOC (7) Cl.** **09-09**

(52) **U.S. Cl.** **D34/1; D34/7**

(58) **Field of Search** **D34/1, 7; 220/908-911, 220/500, 553; 232/43.2**

(56) **References Cited**

U.S. PATENT DOCUMENTS

D. 329,930	*	9/1992	Delmerico et al.	D34/7
D. 332,678	*	1/1993	Barclay et al.	D34/1
D. 339,436	*	9/1993	Craft et al.	D34/1 X
D. 358,916	*	5/1995	Barbieri	D34/1
D. 368,349	*	3/1996	Skold	D34/1
1,170,797	*	2/1916	Burroughs	220/908

4,874,103 * 10/1989 Quisenberry et al. 220/909

4,907,710 * 3/1990 Bulkens 220/908

6,053,354 * 4/2000 Niemeyer 220/908

* cited by examiner

Primary Examiner—Cynthia E Ramirez

(74) *Attorney, Agent, or Firm*—George R. McGuire; Hancock & Estabrook, LLP

(57) **CLAIM**

The ornamental design for a compost bucket, as shown and described.

DESCRIPTION

FIG. 1 is a side elevational view showing my new compost bucket design;

FIG. 2 is a top plan view thereof;

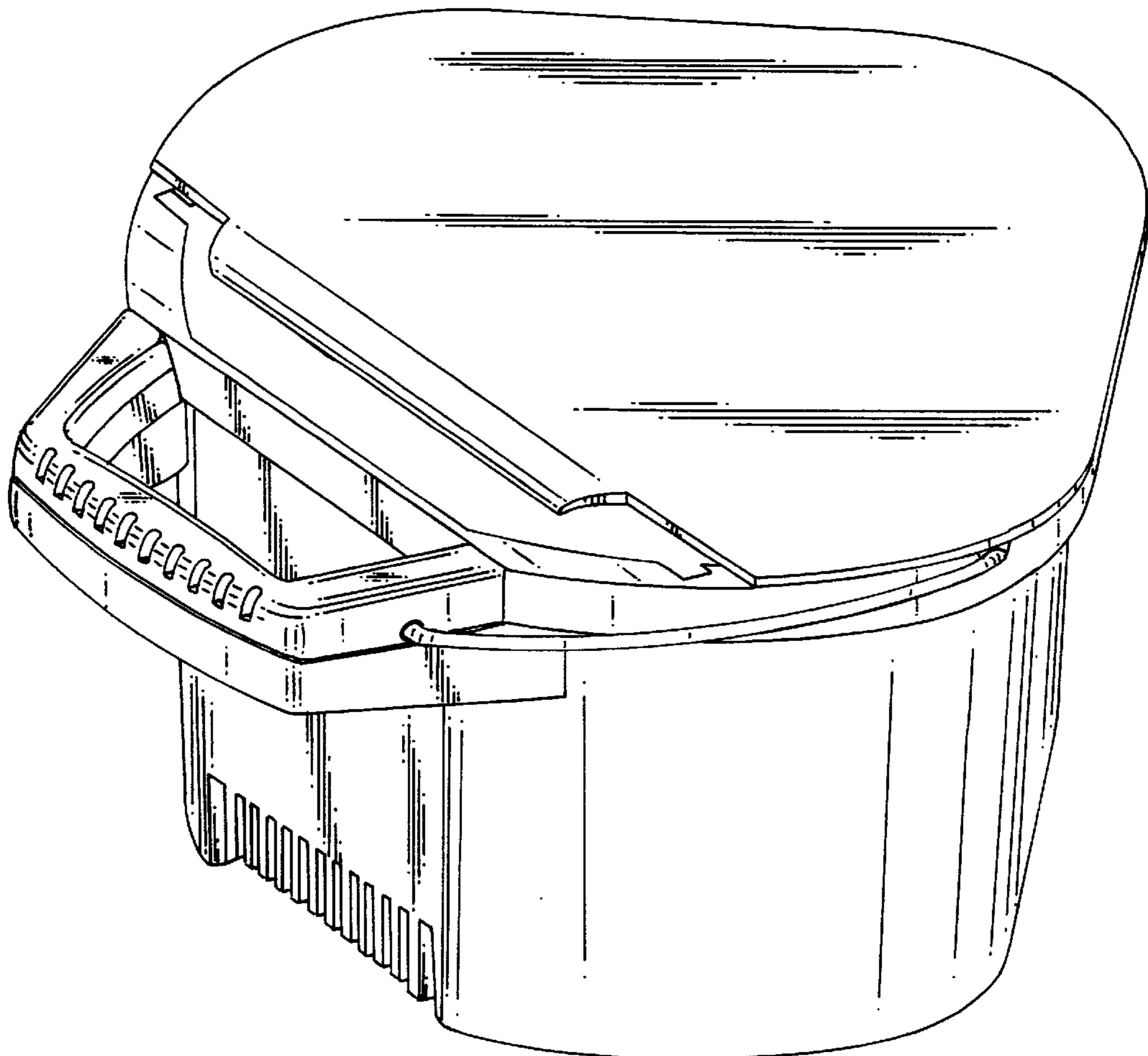
FIG. 3 is a front elevational view thereof;

FIG. 4 is a bottom plan view thereof;

FIG. 5 is a rear elevational view thereof; and,

FIG. 6 is a perspective view thereof.

1 Claim, 5 Drawing Sheets



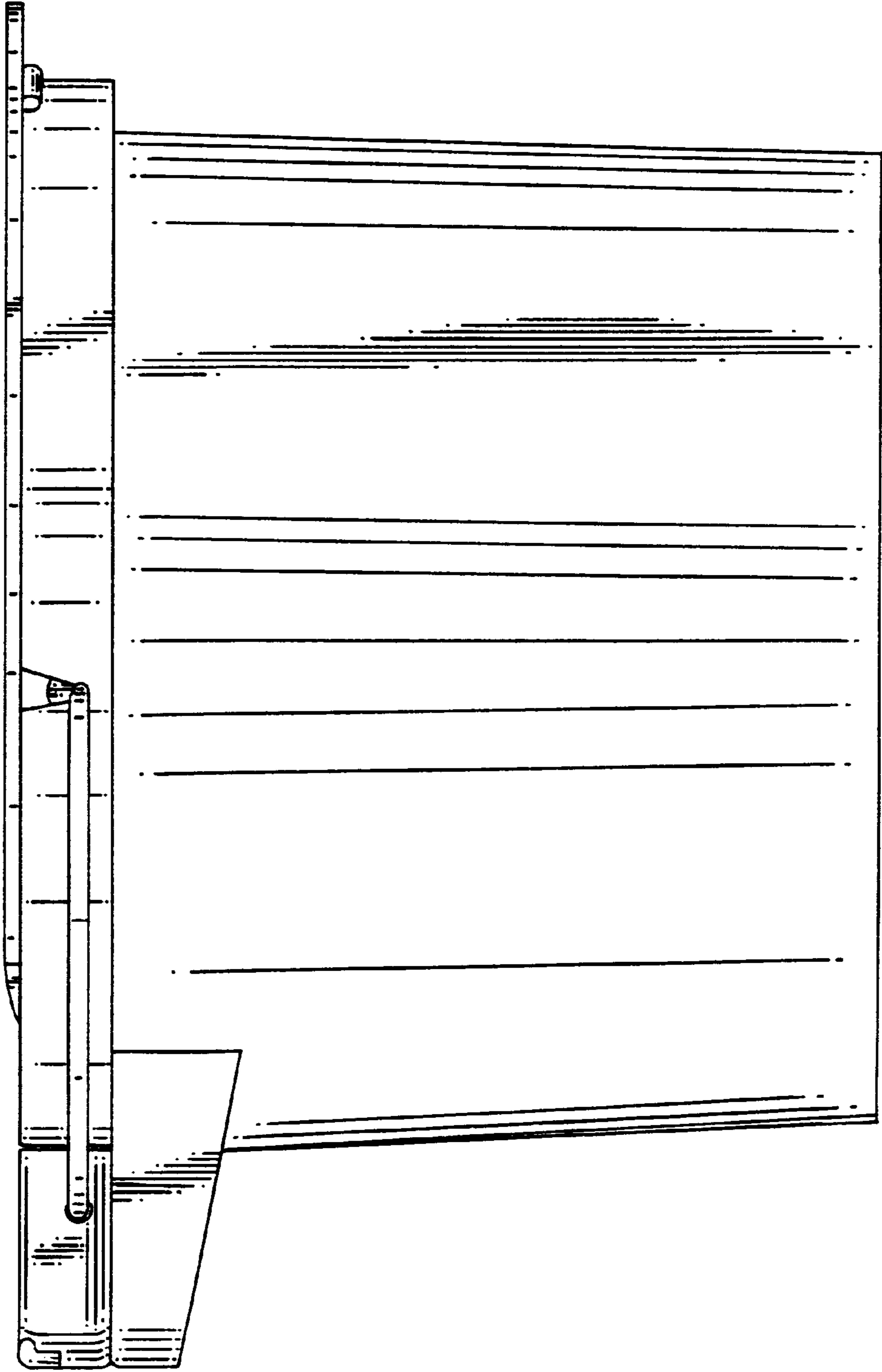


FIG.1

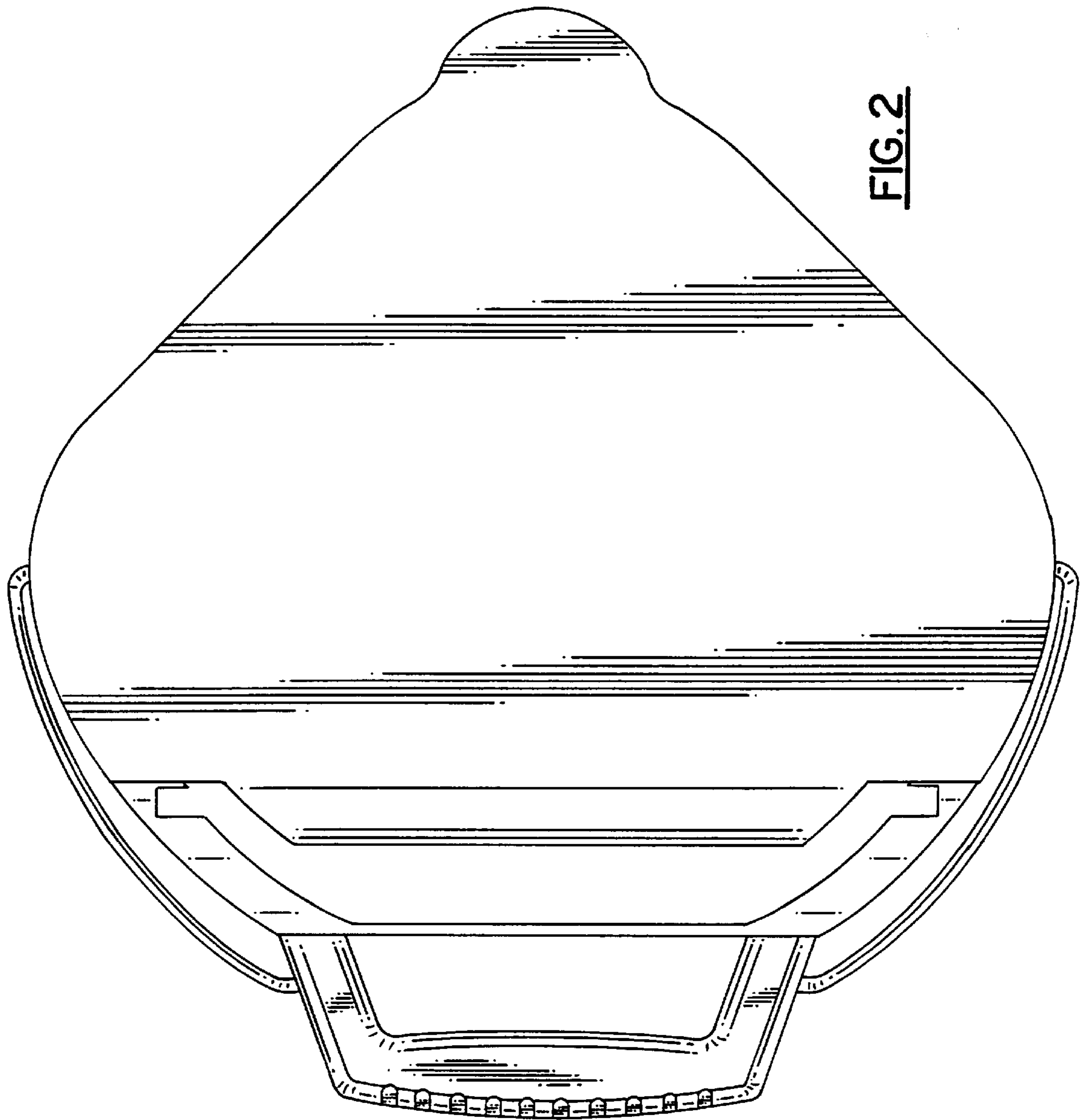


FIG. 2

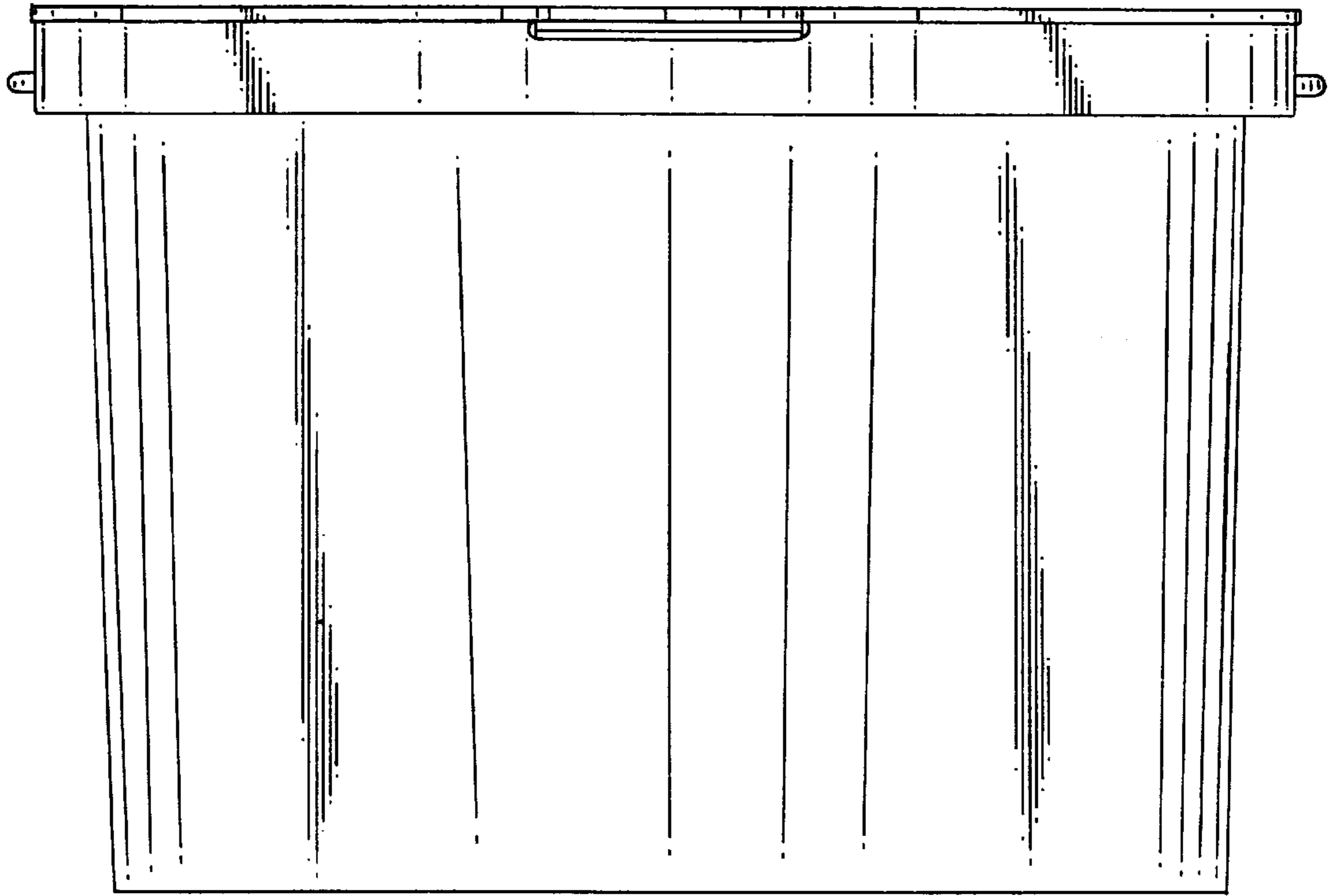


FIG. 3

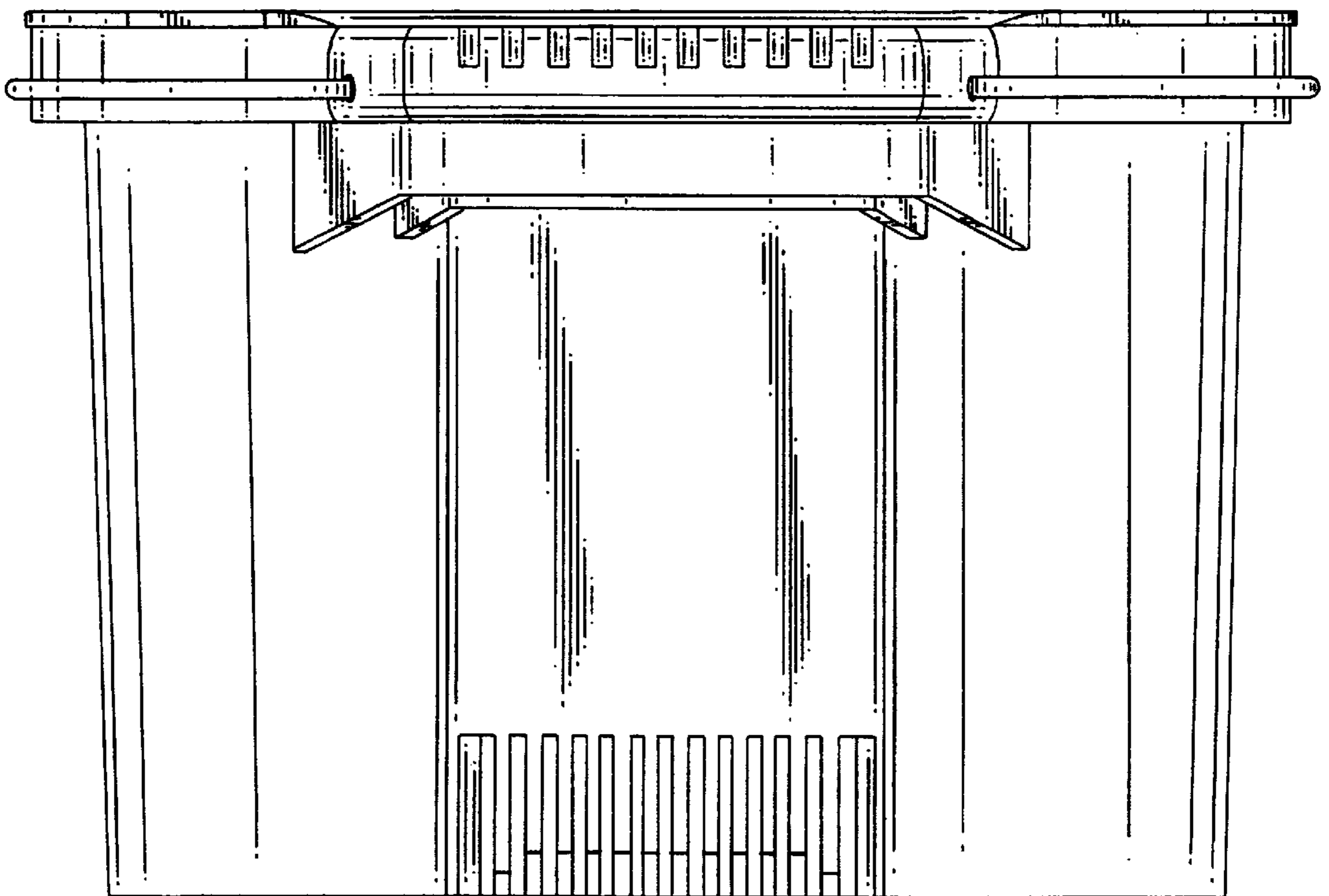


FIG. 5

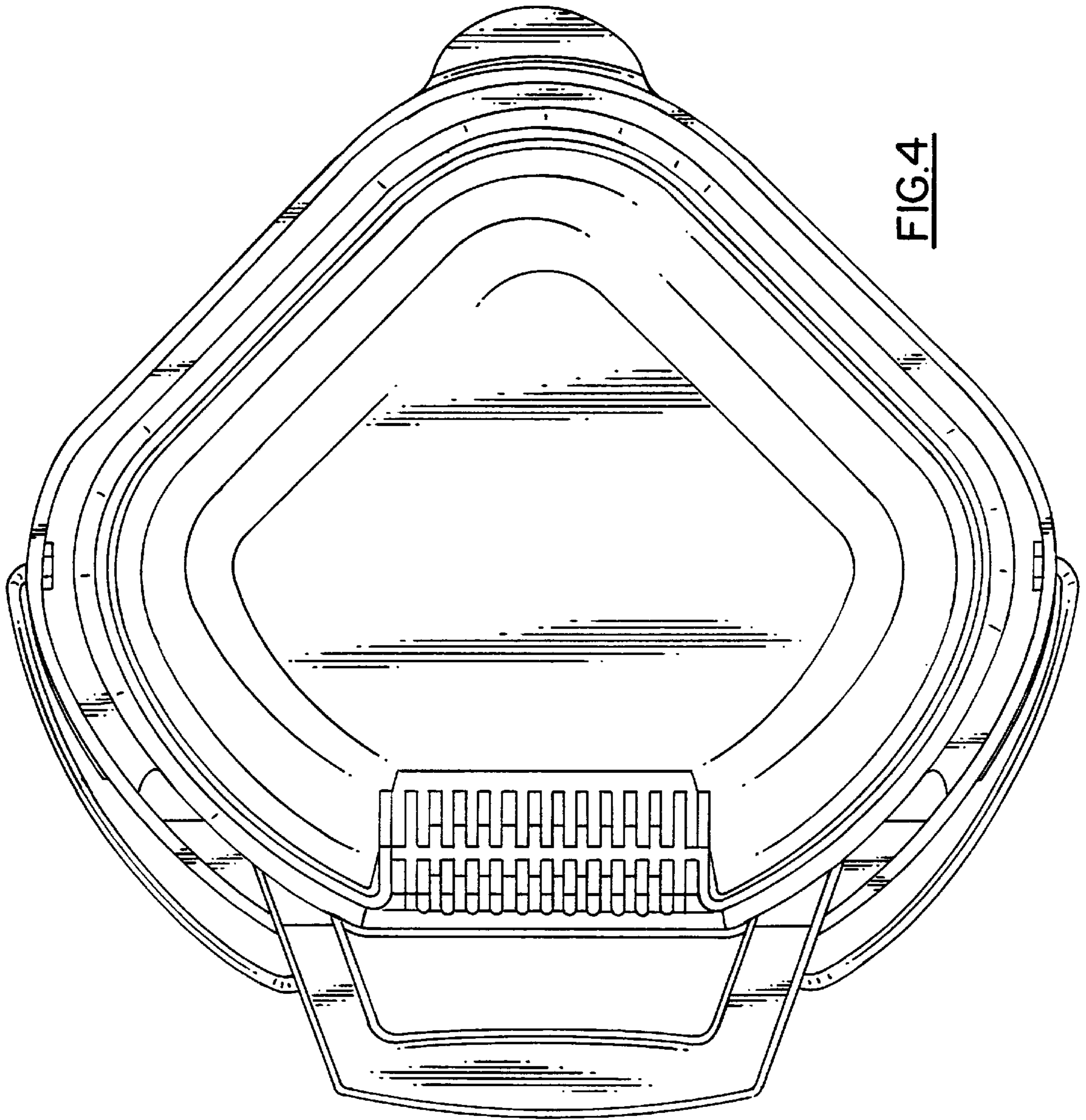


FIG. 4

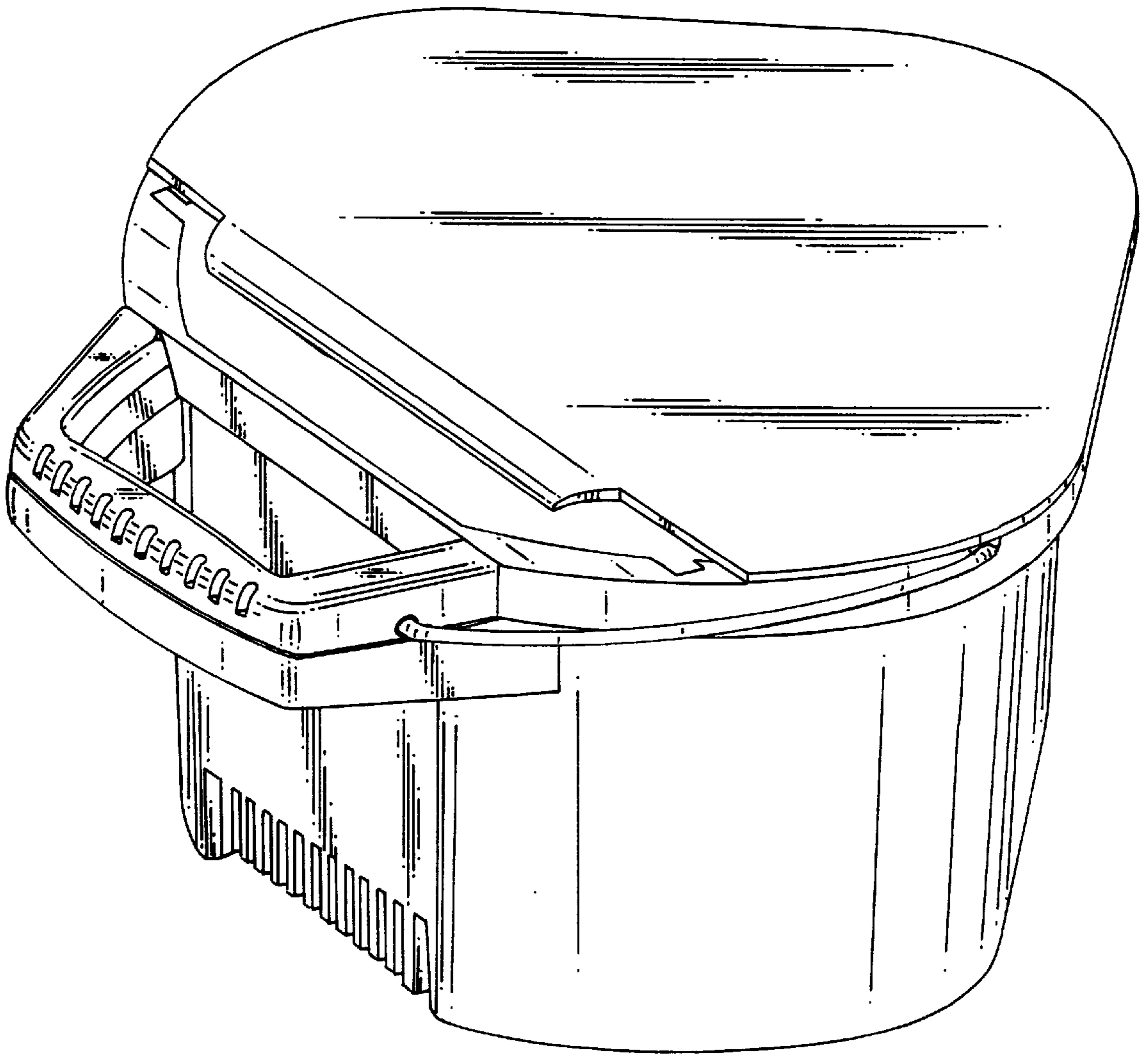


FIG. 6