



US00D439715S

(12) **United States Design Patent**
Calvert

(10) **Patent No.:** **US D439,715 S**

(45) **Date of Patent:** **** Mar. 27, 2001**

(54) **APPLICATOR FOR SURFACE TREATMENT COMPOUNDS**

(75) Inventor: **John Calvert**, Epping (GB)

(73) Assignee: **Farecla Products Limited**, Hertfordshire (GB)

(**) Term: **14 Years**

(21) Appl. No.: **29/090,736**

(22) Filed: **Jul. 15, 1998**

(30) **Foreign Application Priority Data**

Jan. 16, 1998 (GB) 2071757

(51) **LOC (7) Cl.** **04-01**

(52) **U.S. Cl.** **D32/52**

(58) **Field of Search** D4/137; D32/35, D32/40, 52, 45; 15/208, 209.1, 210.1, 220.1, 220.2, 229.11, 229.13, 224.1, 244.4

(56) **References Cited**

U.S. PATENT DOCUMENTS

D. 283,067 * 3/1986 McLin D32/45

D. 295,911 * 5/1988 Zogg D32/40

4,852,203 * 8/1989 LaBelle 15/210.1

* cited by examiner

Primary Examiner—Robin V. Taylor

Assistant Examiner—Lavone Tabor

(74) *Attorney, Agent, or Firm*—McAndrews, Held & Malloy, Ltd.

(57) **CLAIM**

The ornamental design for the applicator for surface treatment compounds, as shown and described.

DESCRIPTION

FIG. 1 is a perspective view of an applicator for surface treatment compounds showing my new design;

FIG. 2 is a front elevational view of the applicator shown with a pad portion for the purpose of illustration;

FIG. 3 is a rear elevation of FIG. 2;

FIG. 4 is a top plan view of FIG. 2;

FIG. 5 is a right-side elevational view of FIG. 2, the left side being a mirror image; and,

FIG. 6 is a cross-sectional view of the applicator only taken along line 6—6 of FIG. 4.

The bottom of the applicator neither shown in the drawing nor described in the specification forms no part of the claimed design.

The broken line pad forms no part of the claimed design.

1 Claim, 2 Drawing Sheets

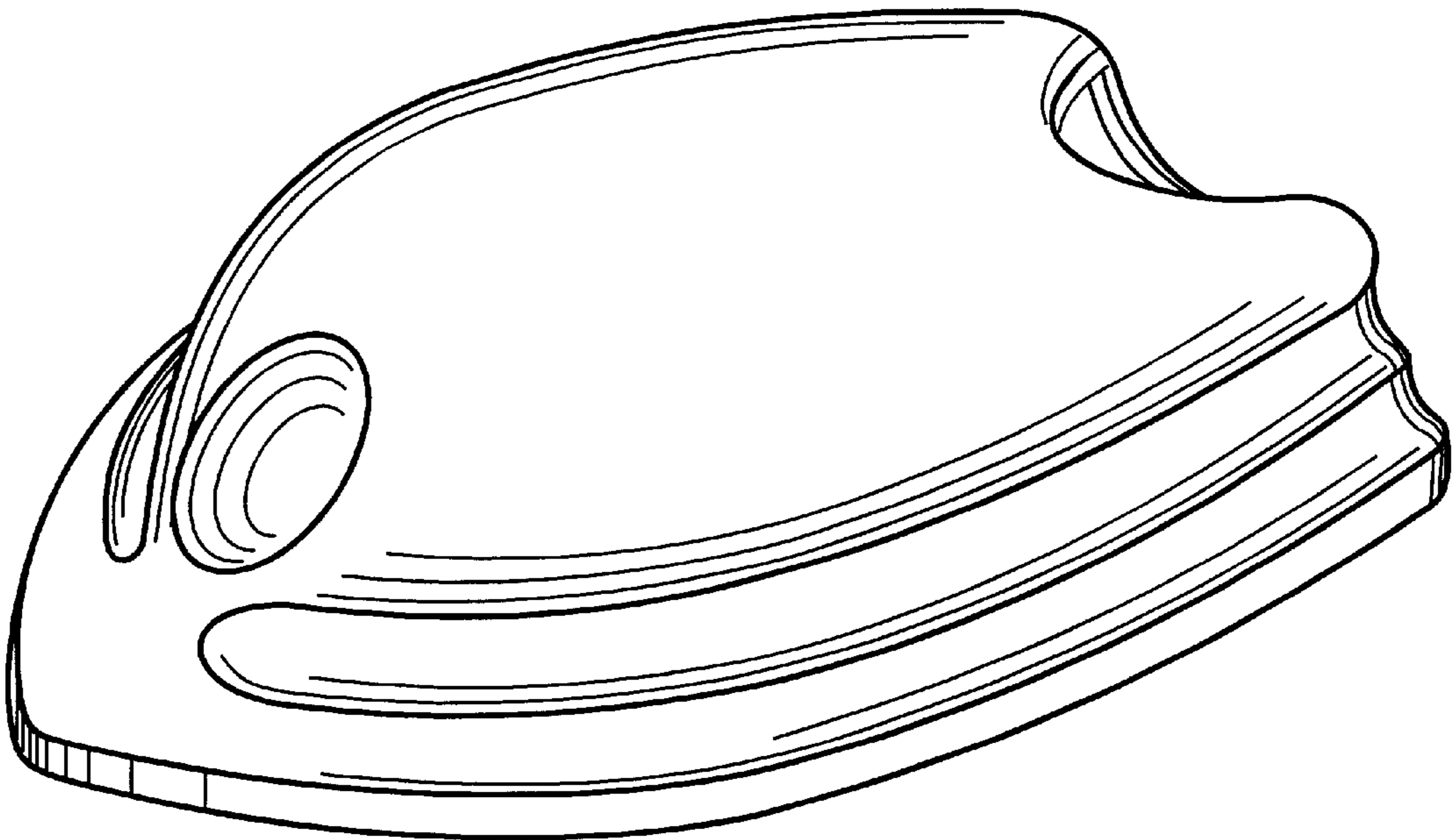


FIG. 1

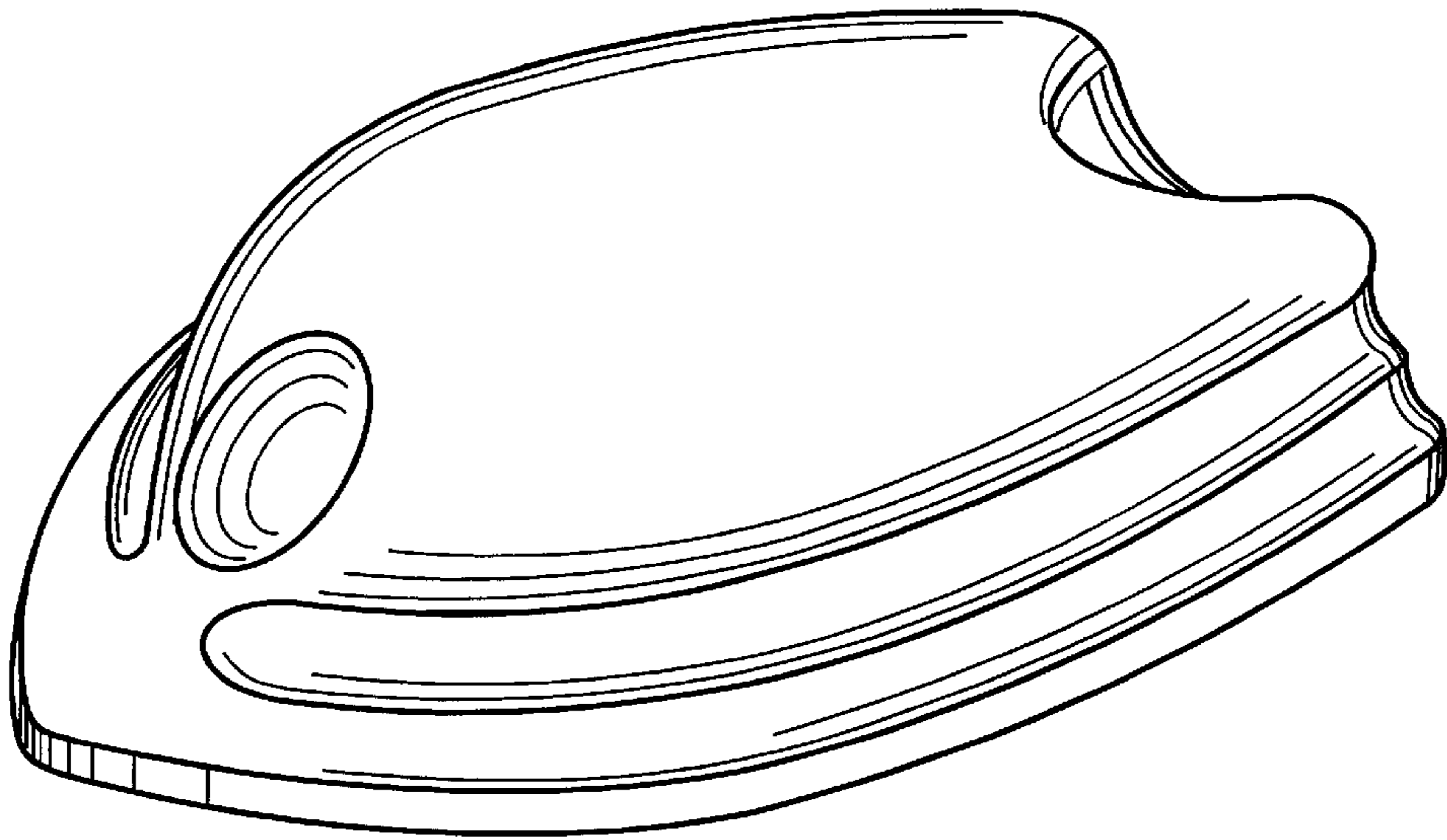


FIG. 2

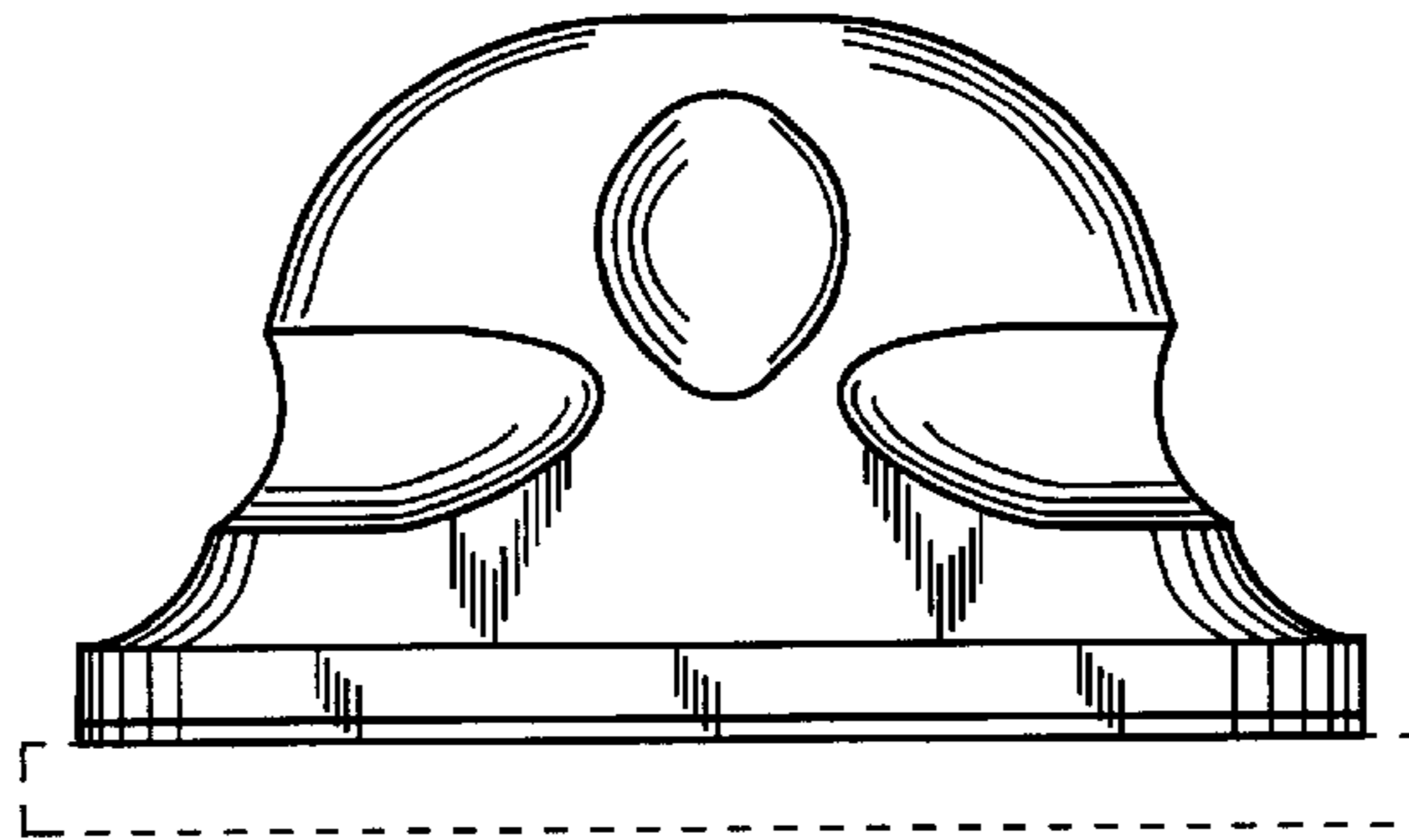


FIG. 3

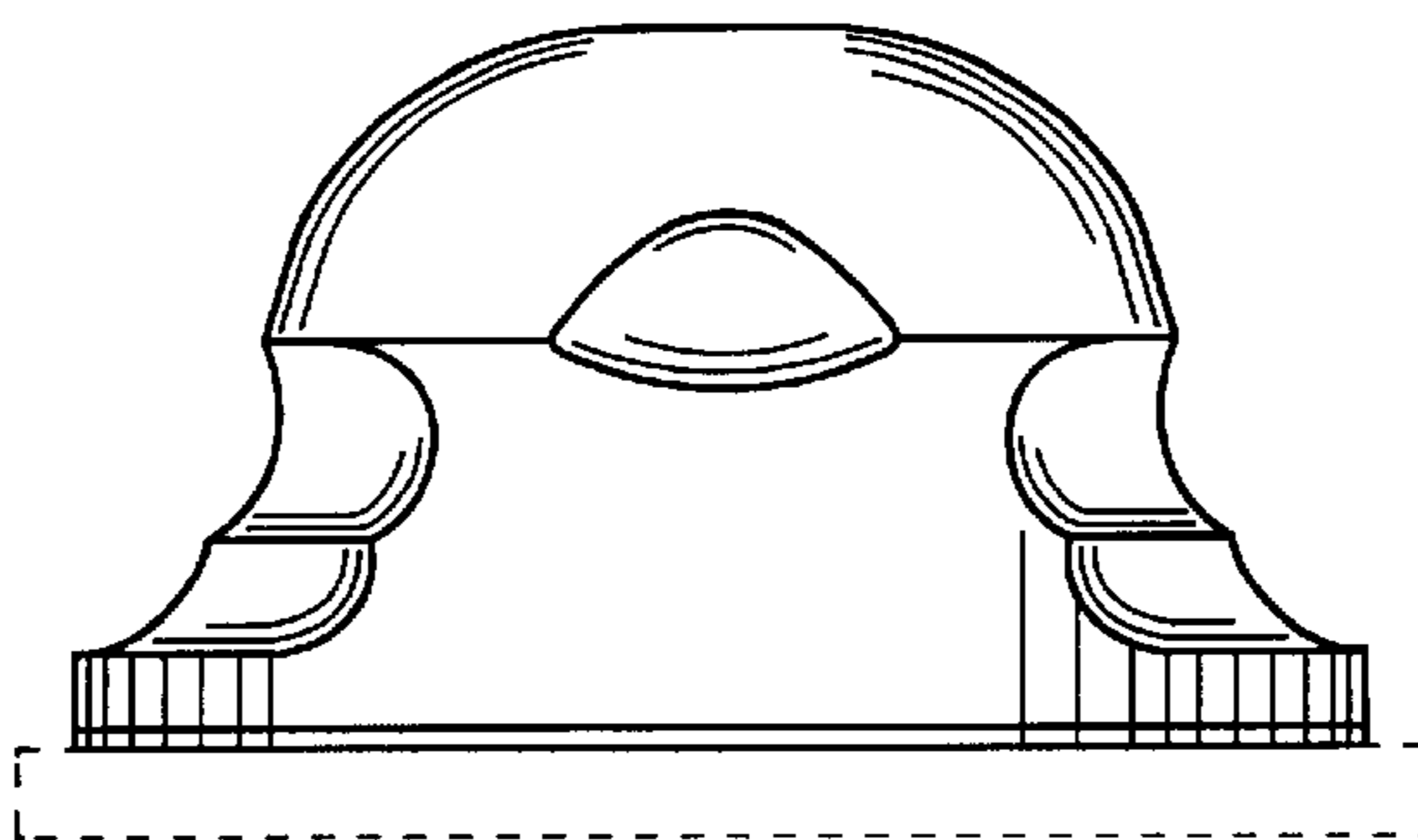


FIG. 4

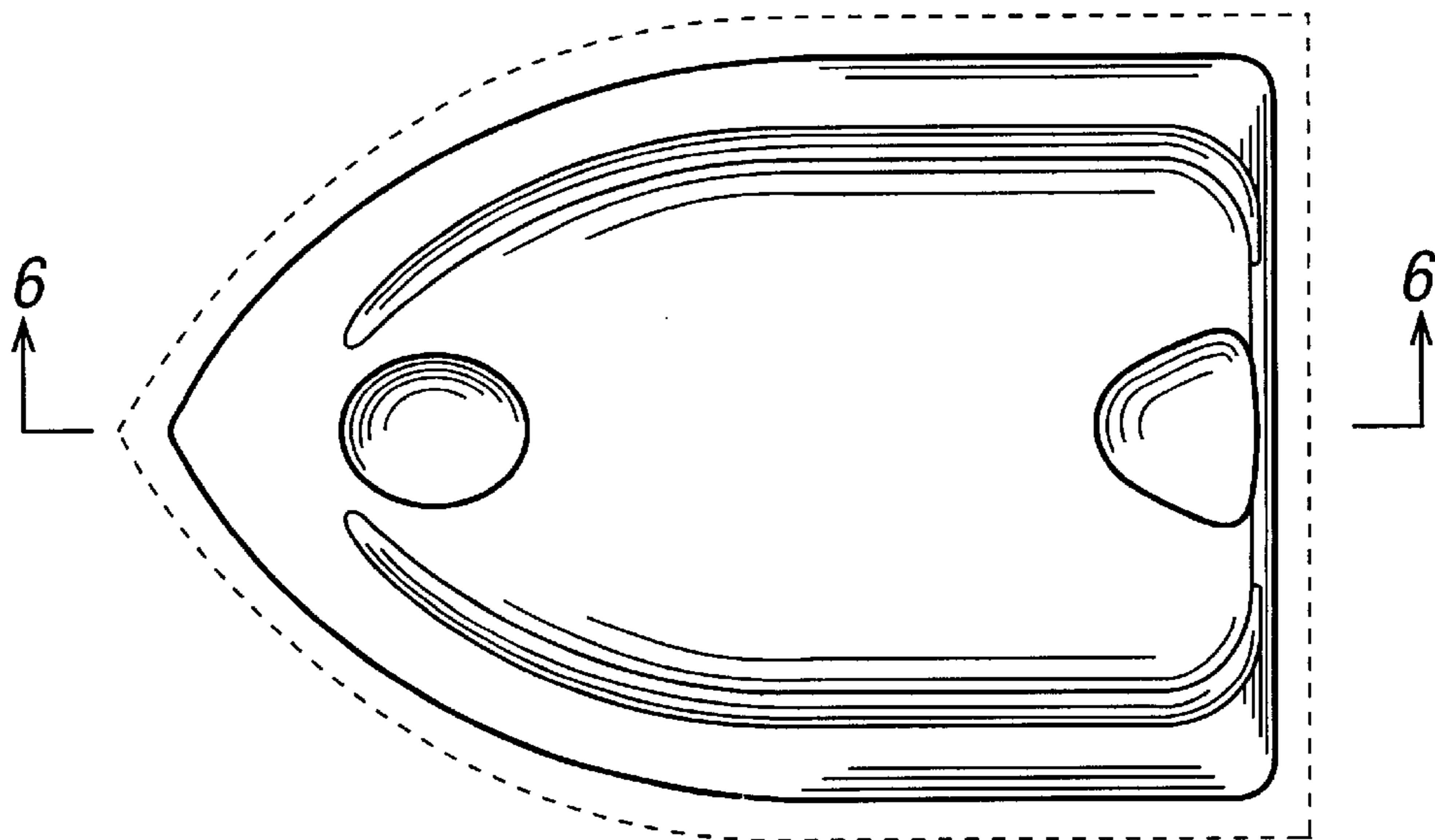


FIG. 5

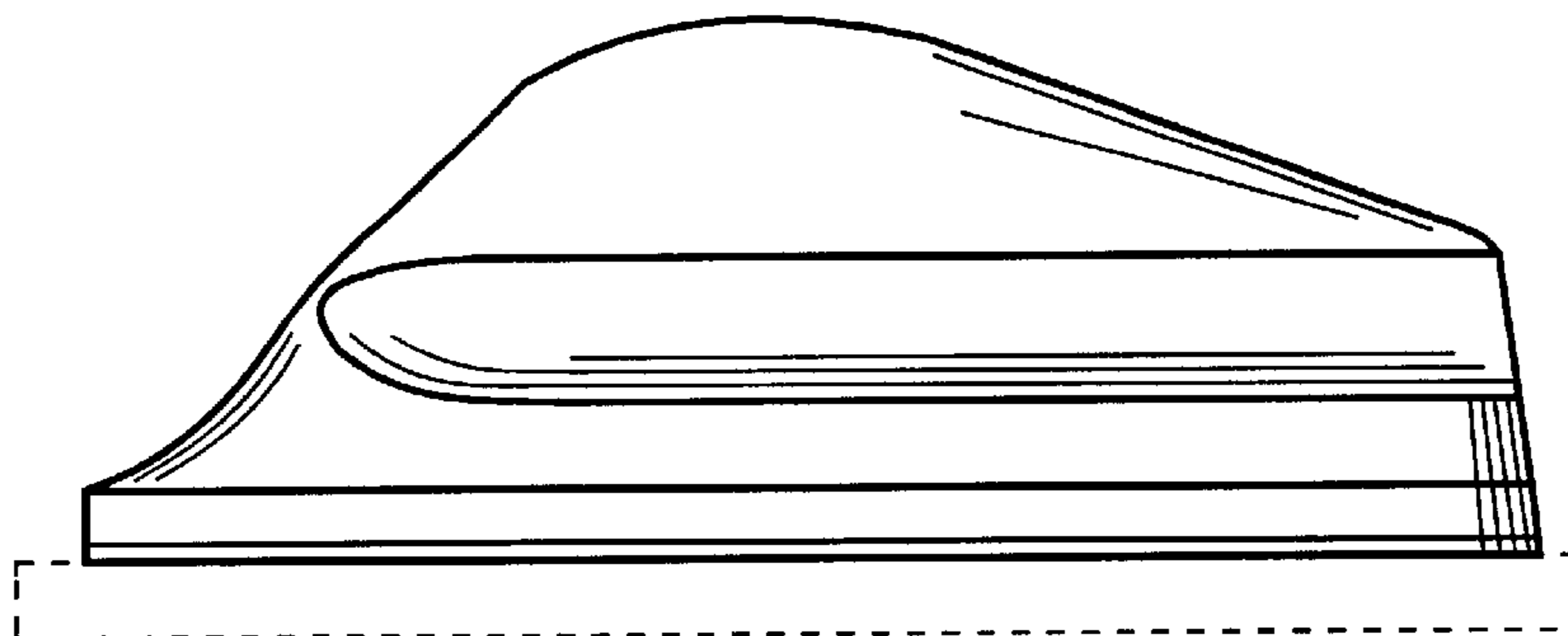


FIG. 6

