



US00D439714S

(12) **United States Design Patent**  
**Meshbesher**

(10) **Patent No.:** **US D439,714 S**

(45) **Date of Patent:** **\*\* Mar. 27, 2001**

(54) **FOOTWEAR SCRAPER**

(76) **Inventor:** **Irwin B. Meshbesher**, P.O. Box 007,  
Rte. 1, Chaseburg, WI (US) 54621

(\*\*) **Term:** **14 Years**

(21) **Appl. No.:** **29/126,317**

(22) **Filed:** **Jul. 13, 2000**

(51) **LOC (7) Cl.** ..... **08-99**

(52) **U.S. Cl.** ..... **D32/47**

(58) **Field of Search** ..... D4/119, 120; D28/63;  
D32/47; 15/112, 159.1, 160, 161, 237

(56) **References Cited**

**U.S. PATENT DOCUMENTS**

D. 109,603	*	5/1938	Butt	.....	D32/47
D. 283,850	*	5/1986	Miller	.....	D4/120
D. 297,785	*	9/1988	Meshbesher	.....	D4/119
D. 386,858	*	11/1997	Mandish	.....	D32/47

**OTHER PUBLICATIONS**

HOME TRENDS™, Scrusher Boot and Shoe Cleaner—  
Item No. R144, p. 79, © 1998.\*

\* cited by examiner

*Primary Examiner*—Alan P. Douglas

*Assistant Examiner*—Lavone Tabor

(74) *Attorney, Agent, or Firm*—Paul R. Puerner

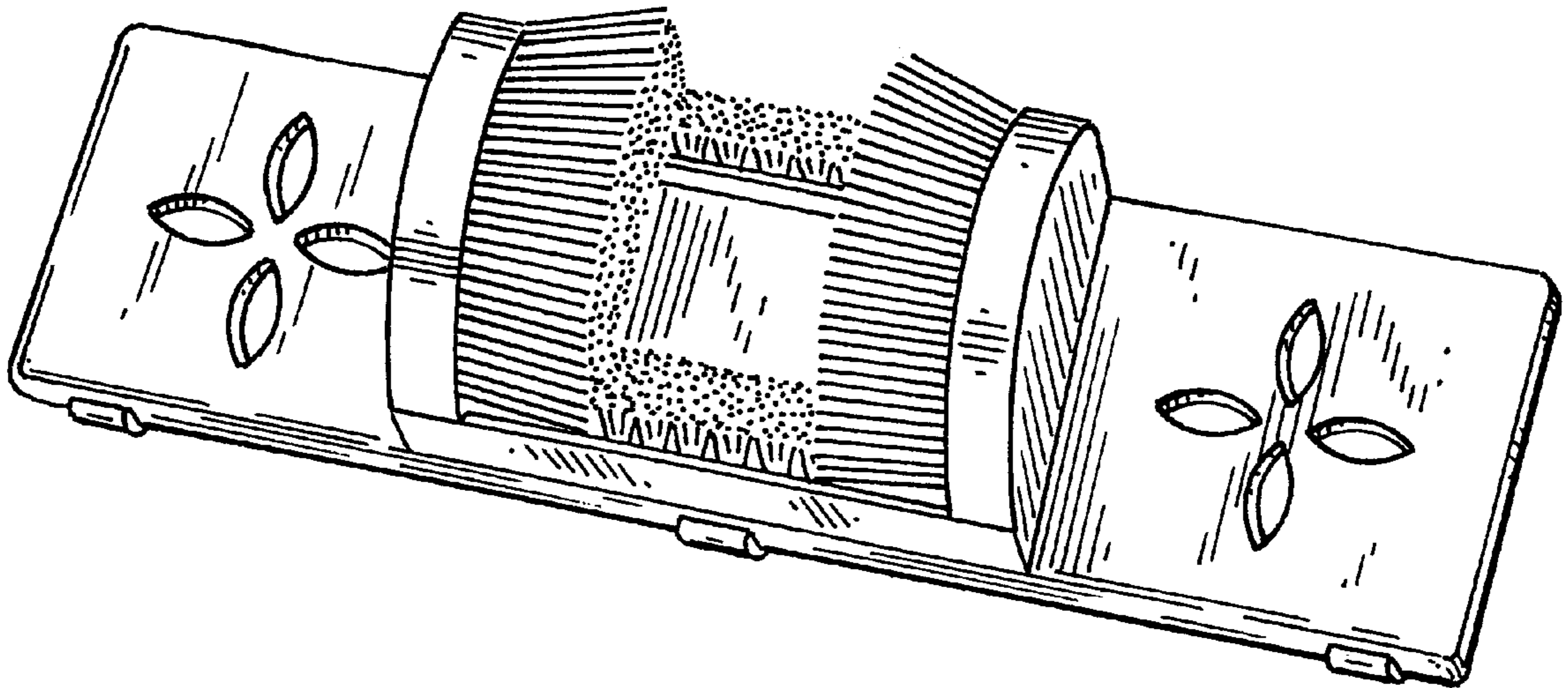
(57) **CLAIM**

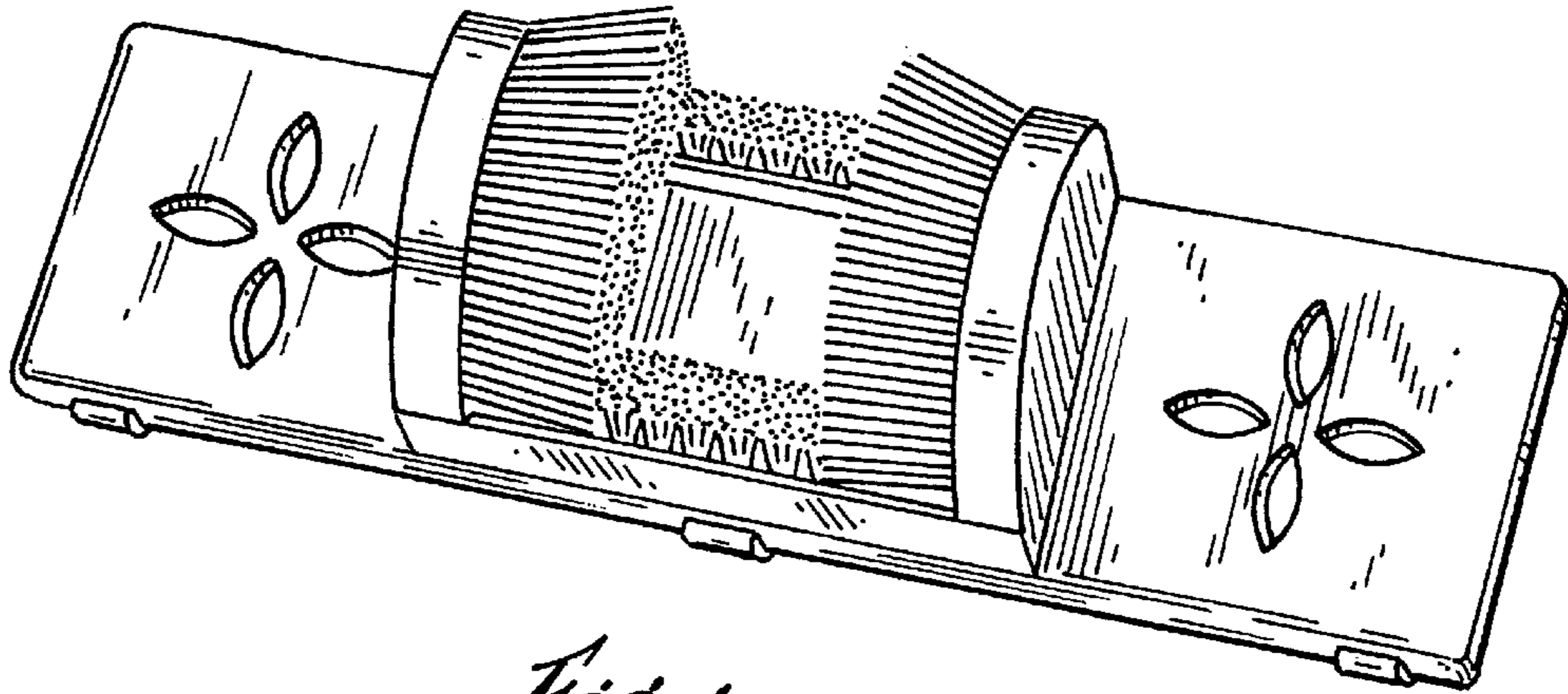
The ornamental design for a footwear scraper, as shown.

**DESCRIPTION**

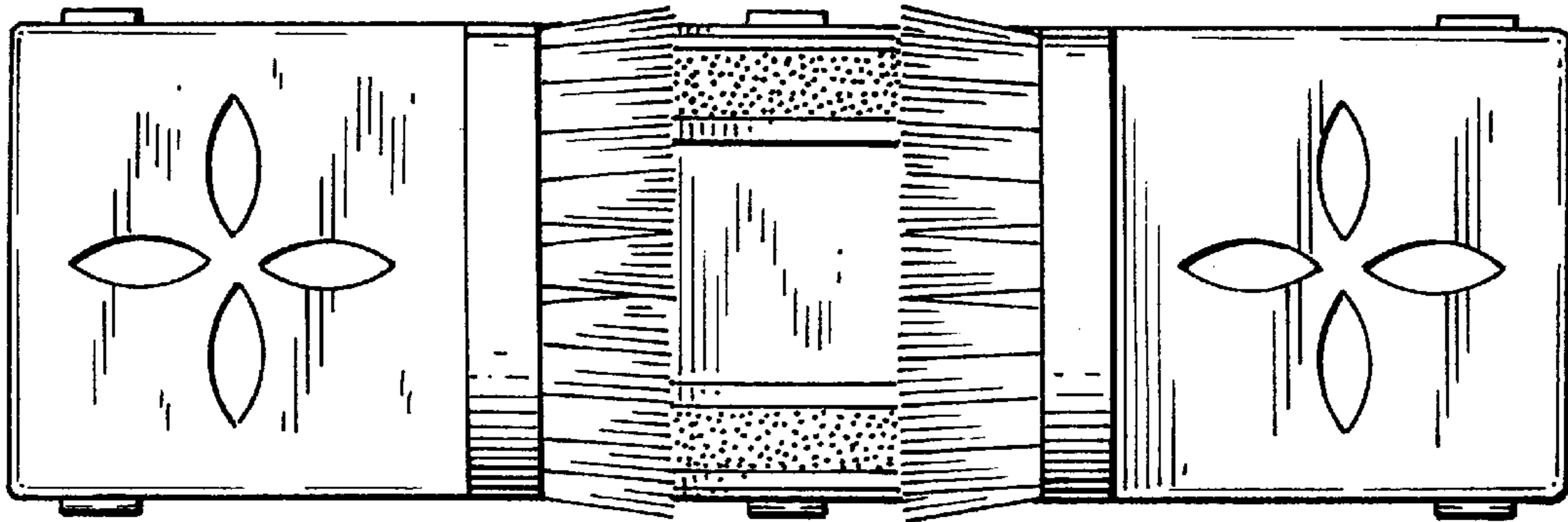
FIG. 1 is a perspective view of the footwear scraper;  
FIG. 2 is a top plan view of the footwear scraper;  
FIG. 3 is a side elevation view of the footwear scraper;  
FIG. 4 is an end elevation view of the footwear scraper; and,  
FIG. 5 is a bottom plan view of the footwear scraper.

**1 Claim, 2 Drawing Sheets**

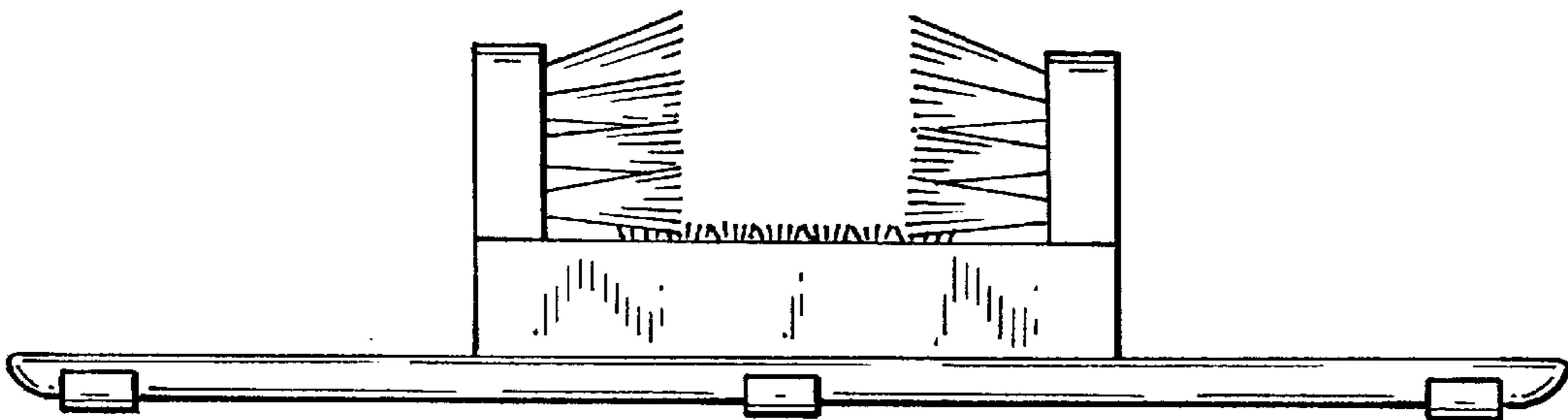




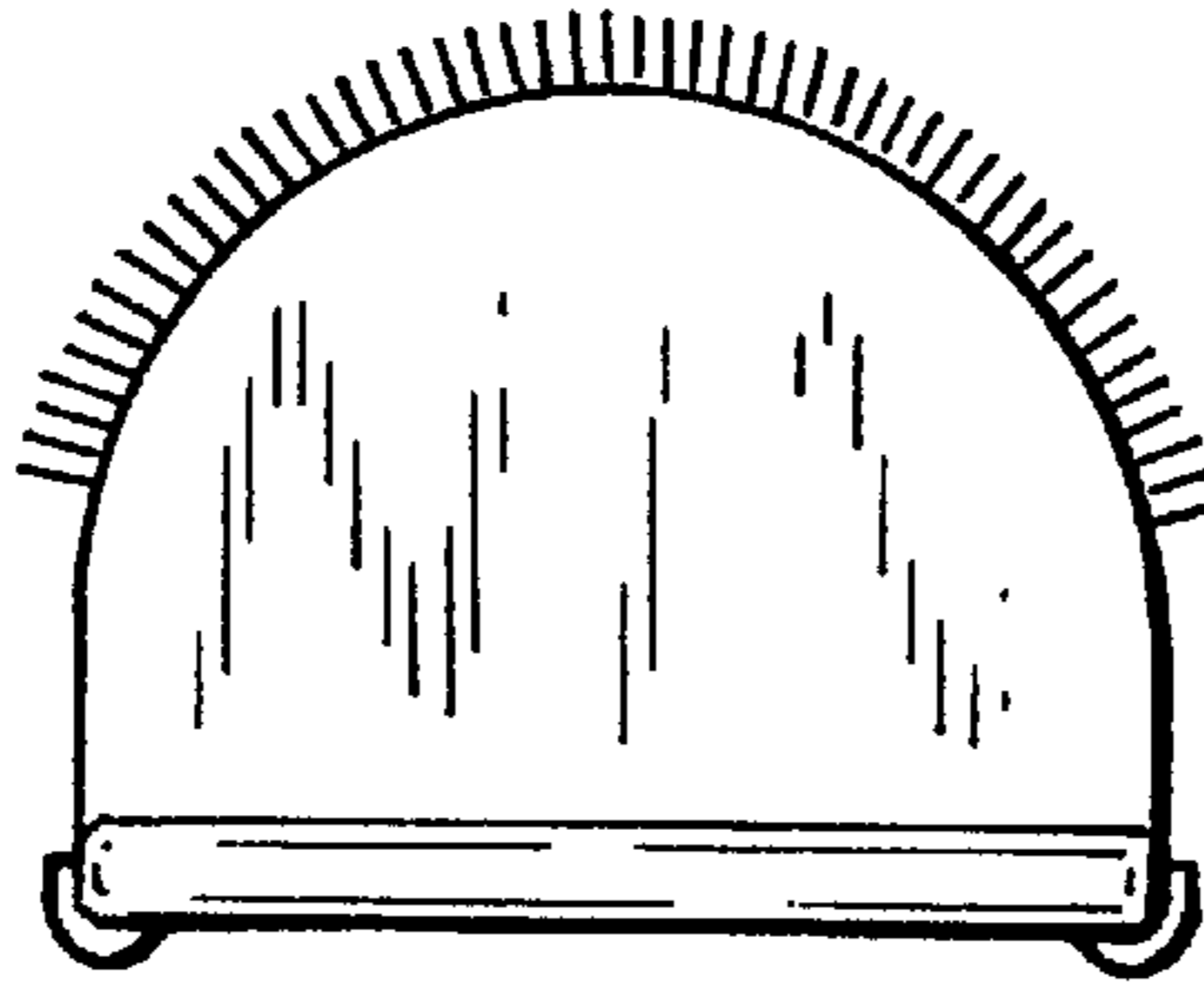
*Fig. 1*



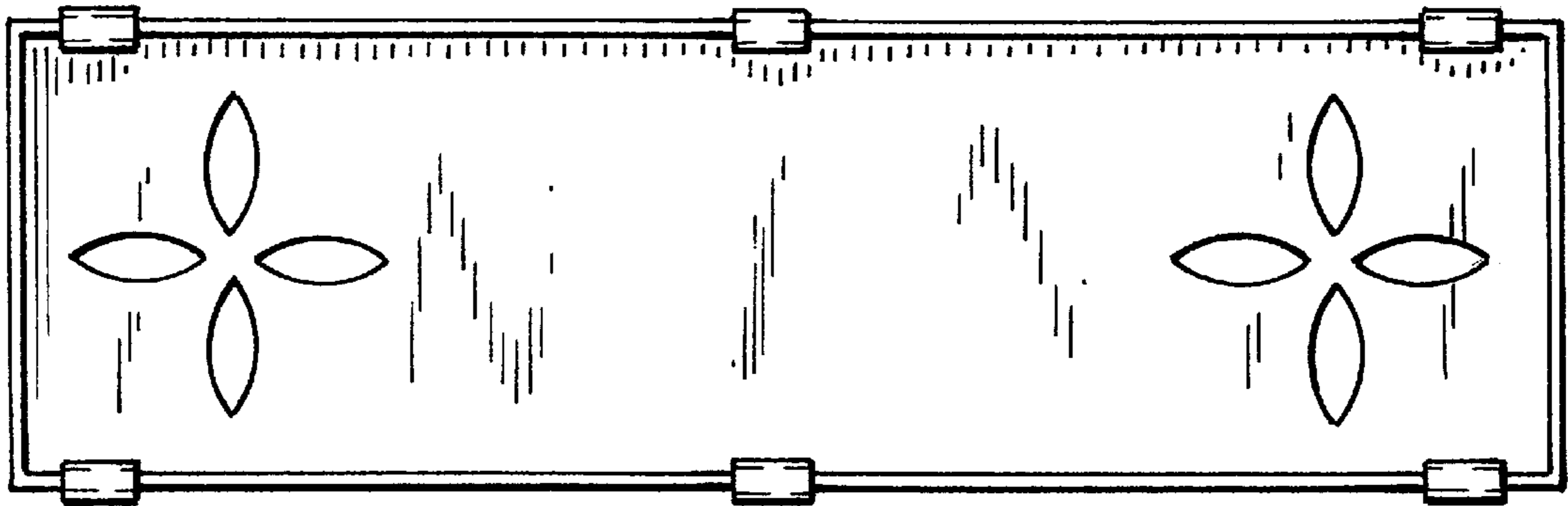
*Fig. 2*



*Fig. 3*



*Fig. 4*



*Fig. 5*