



US00D439711S

(12) **United States Design Patent**
Griffin

(10) **Patent No.:** **US D439,711 S**

(45) **Date of Patent:** **** Mar. 27, 2001**

(54) **NOZZLE**
(75) **Inventor:** **John Griffin**, Phoenix, AZ (US)
(73) **Assignee:** **Shop Vac Corporation**, Williamsport, PA (US)

3,739,422	6/1973	Johnson et al.	15/397
4,577,366	3/1986	Miller et al.	15/388
4,616,378	10/1986	Berfield et al.	15/353
4,747,179	5/1988	Berfield	15/415
4,984,330	1/1991	Berfield et al.	15/415.1
5,079,796	1/1992	Berfield et al.	15/415.1

(**) **Term:** **14 Years**

FOREIGN PATENT DOCUMENTS

(21) **Appl. No.:** **29/122,481**
(22) **Filed:** **Apr. 27, 2000**
(51) **LOC (7) Cl.** **15-05**
(52) **U.S. Cl.** **D32/32**
(58) **Field of Search** D32/22, 25, 31-33;
15/347, 350, 352, 353, 337, 320-322, 379,
400, 415.1-422.1

130749	12/1946	(AU)	285/7
637468	5/1950	(GB)	8/99
2077093	12/1981	(GB)	A47L/9/02
186861	12/1963	(SE)	285/7

* cited by examiner

Primary Examiner—Ruth McInroy
(74) *Attorney, Agent, or Firm*—Marshall, O’Toole,
Gerstein, Murray & Borun

(56) **References Cited**

(57) **CLAIM**

U.S. PATENT DOCUMENTS

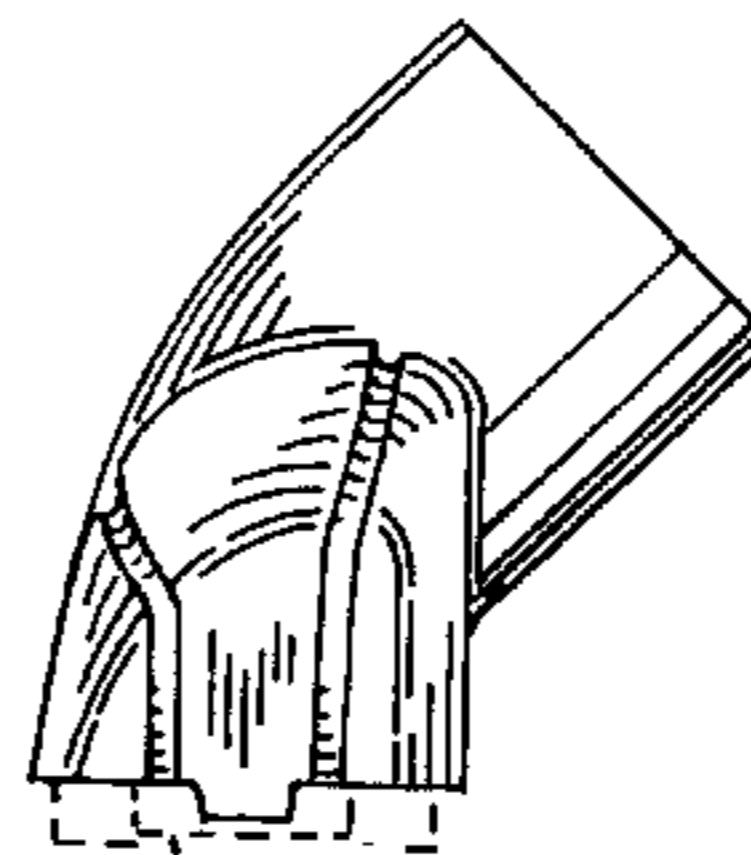
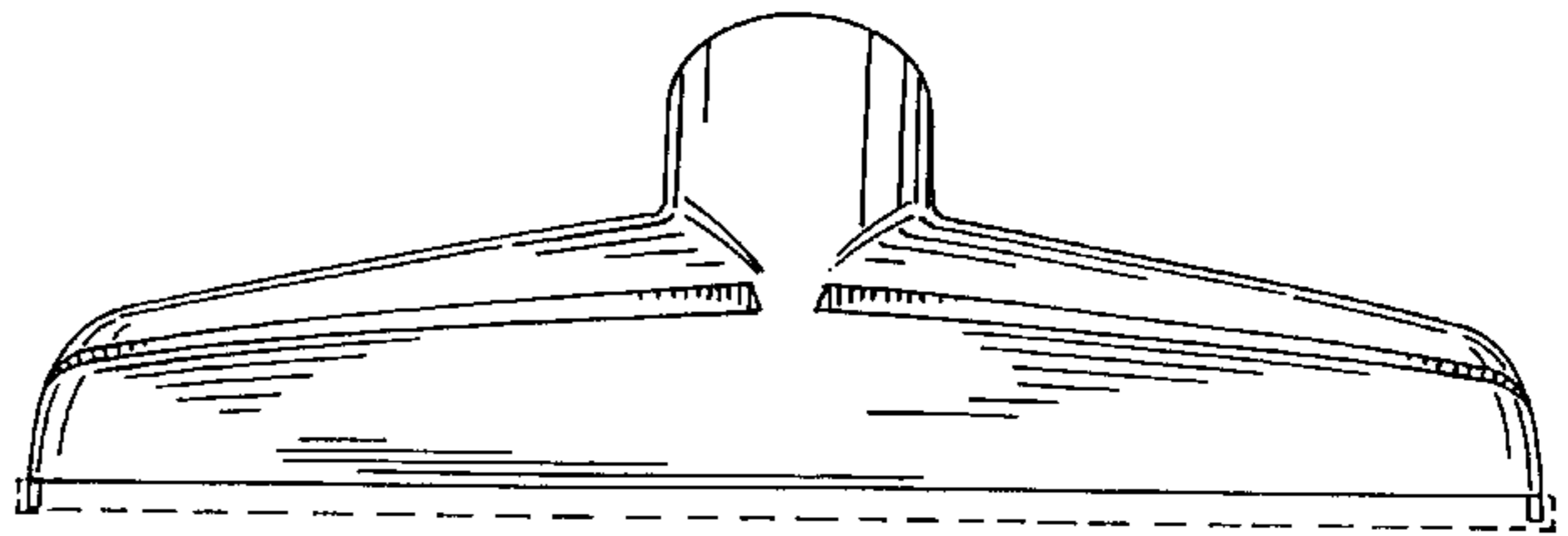
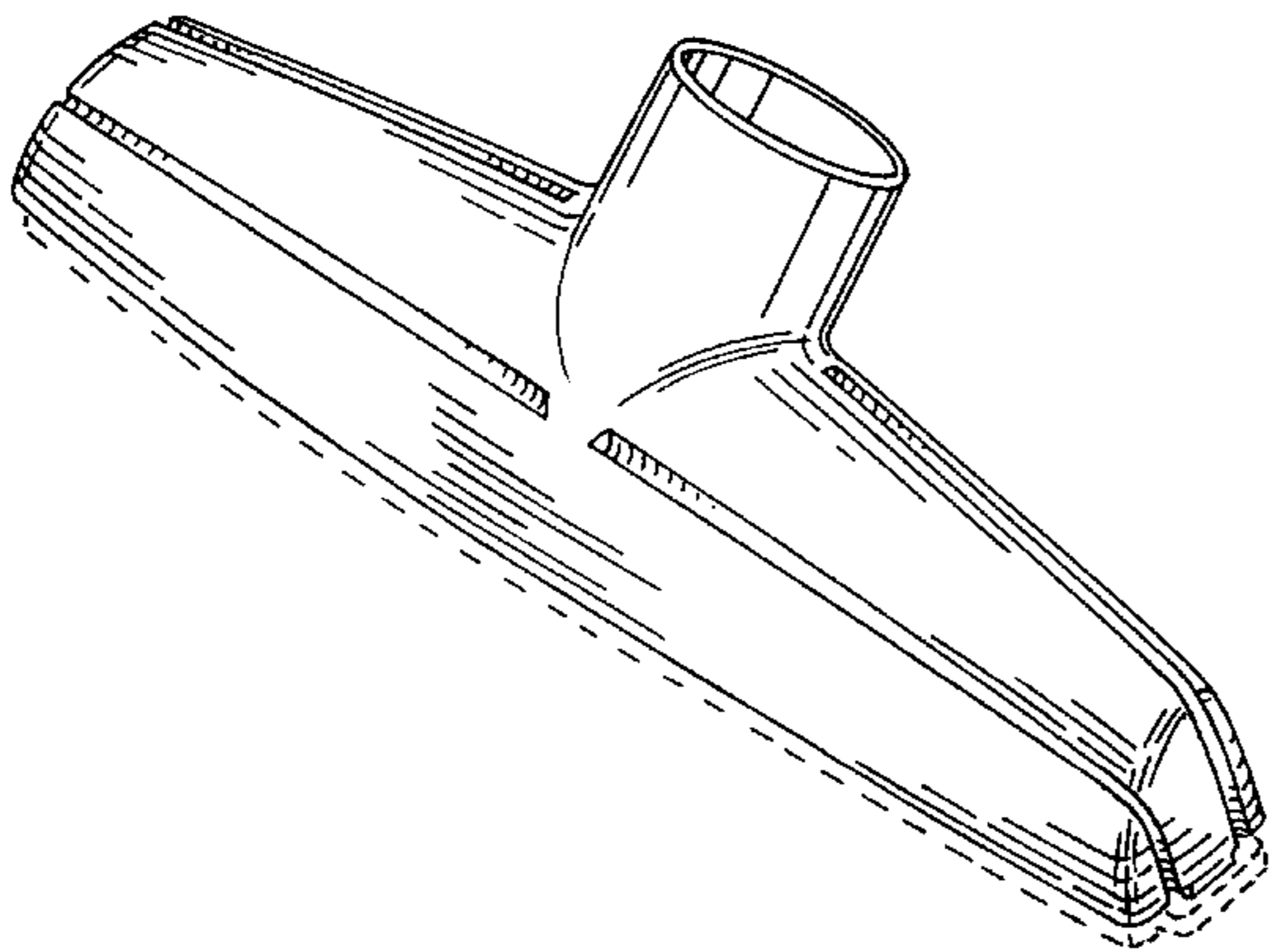
The ornamental design for a nozzle, as shown and described.

D. 147,215	7/1947	Dreyfuss	D9/2
D. 149,478	5/1948	Dreyfuss	D9/2
D. 164,361	* 8/1951	Florian	D32/32
D. 175,227	7/1955	Martinec et al.	D9/2
D. 204,868	* 5/1966	Bowers, Jr. et al.	D32/33
D. 280,033	* 8/1985	Miyamoto et al.	D32/22
D. 295,092	* 4/1988	Mizuno et al.	D32/32
D. 311,615	10/1990	Berfield et al.	D32/32
D. 333,539	* 2/1993	Kramer et al.	D32/32
D. 370,097	5/1996	Griffin et al.	D32/33
D. 381,144	* 7/1997	Moine et al.	D32/32
D. 424,766	* 5/2000	Martin	D32/32
2,659,616	11/1953	Doyle	285/97.1
3,069,186	12/1962	Stevens	285/7

DESCRIPTION

FIG. 1 is a top, front and left side perspective view of a nozzle showing my new design;
FIG. 2 is a top plan view thereof;
FIG. 3 is a rear elevational view thereof;
FIG. 4 is a front elevational view thereof;
FIG. 5 is a left elevational view thereof; and,
FIG. 6 is right elevational view thereof.
The broken lines showing a brush and/or squeegee are for illustrative purposes only and form no part of the claimed design.

1 Claim, 3 Drawing Sheets



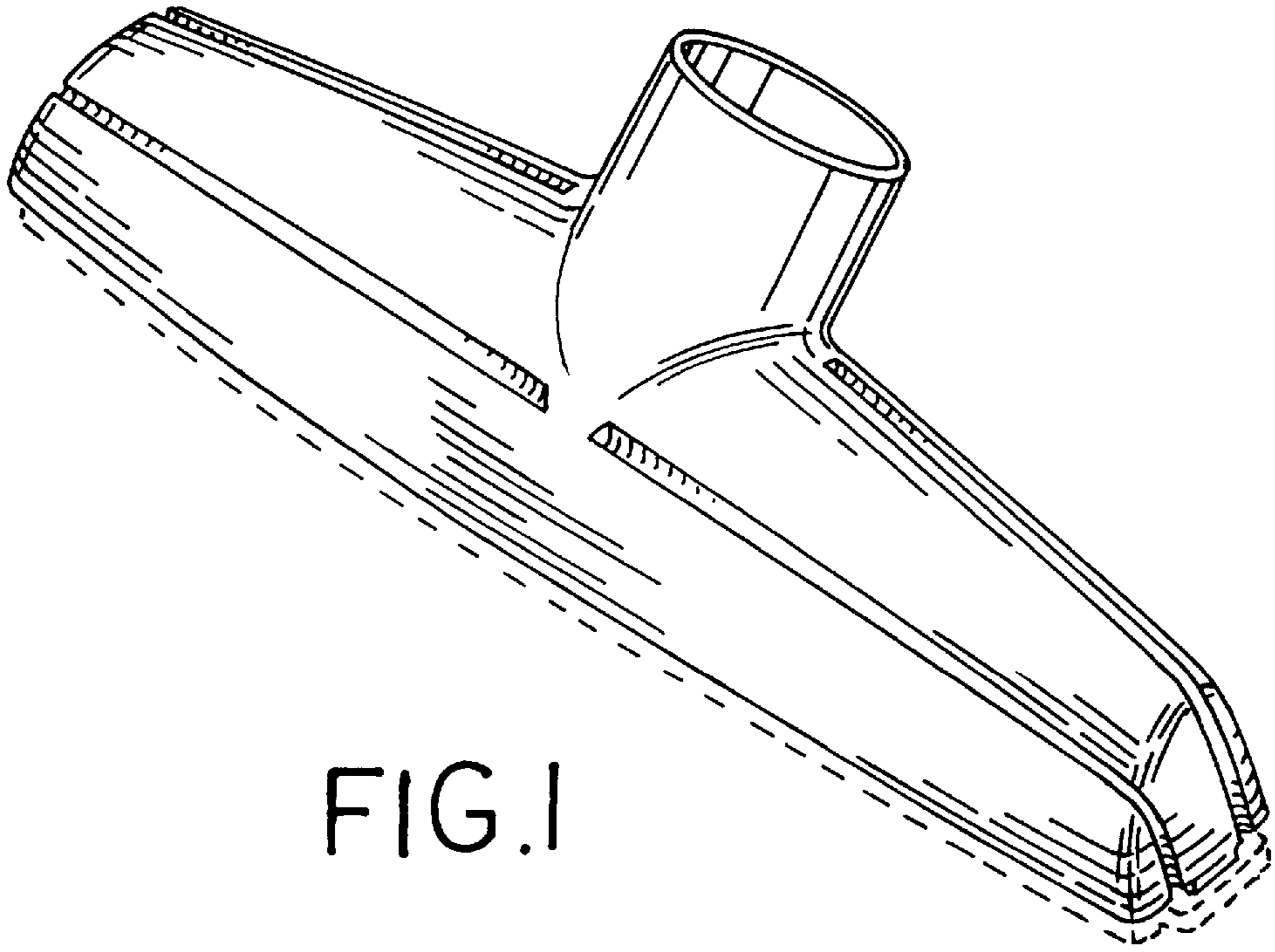


FIG. 1

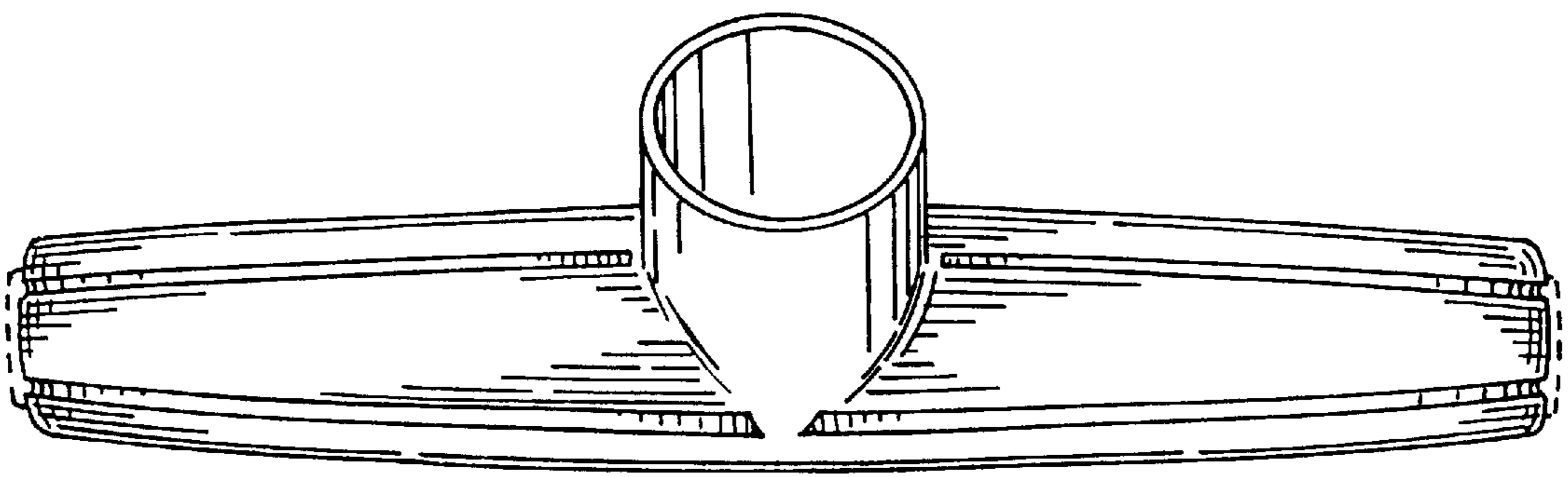


FIG. 2

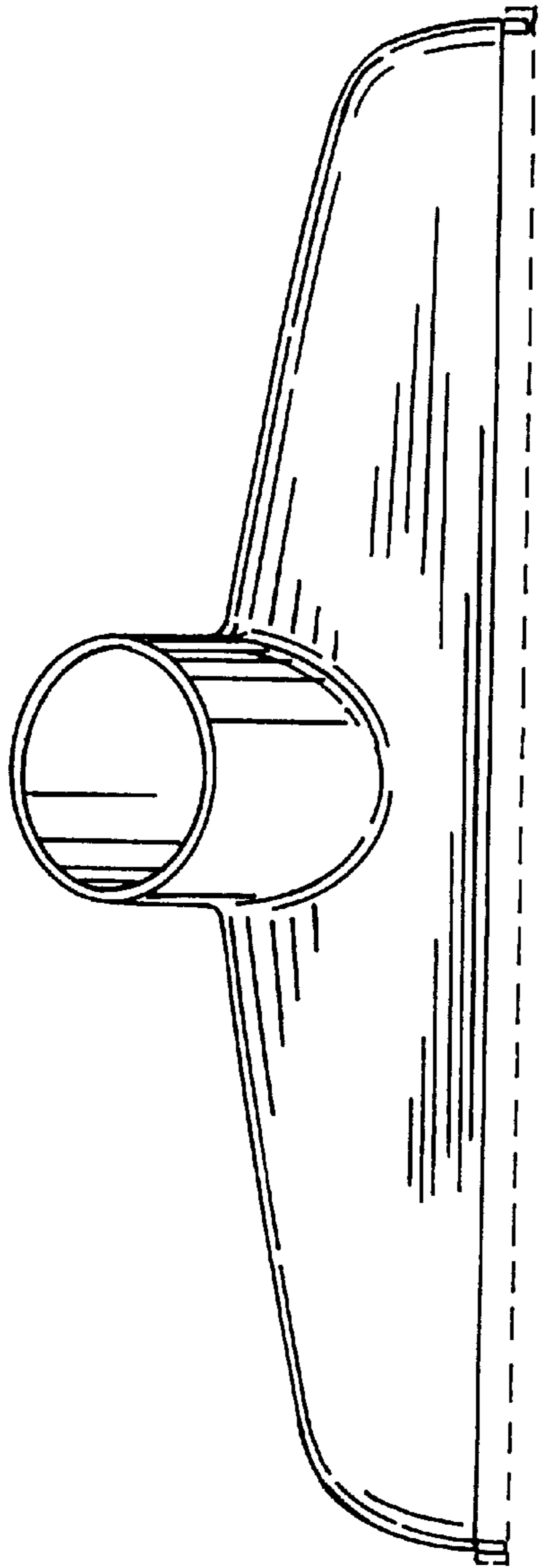


FIG. 3

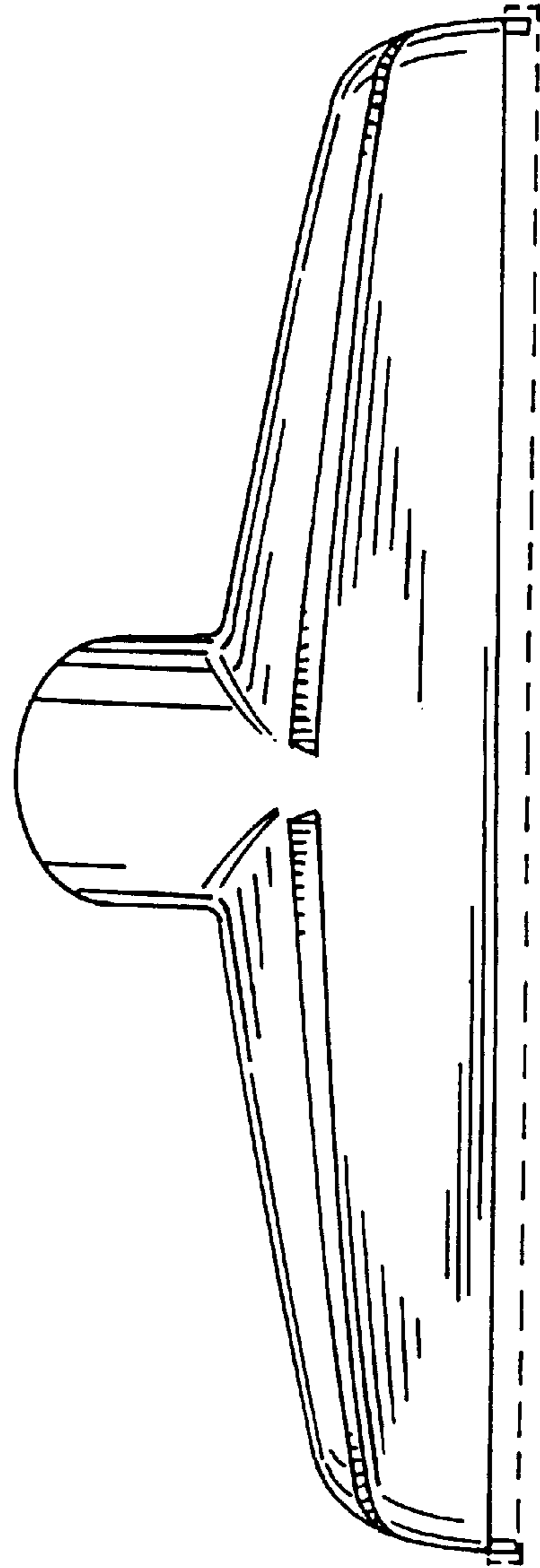


FIG. 4

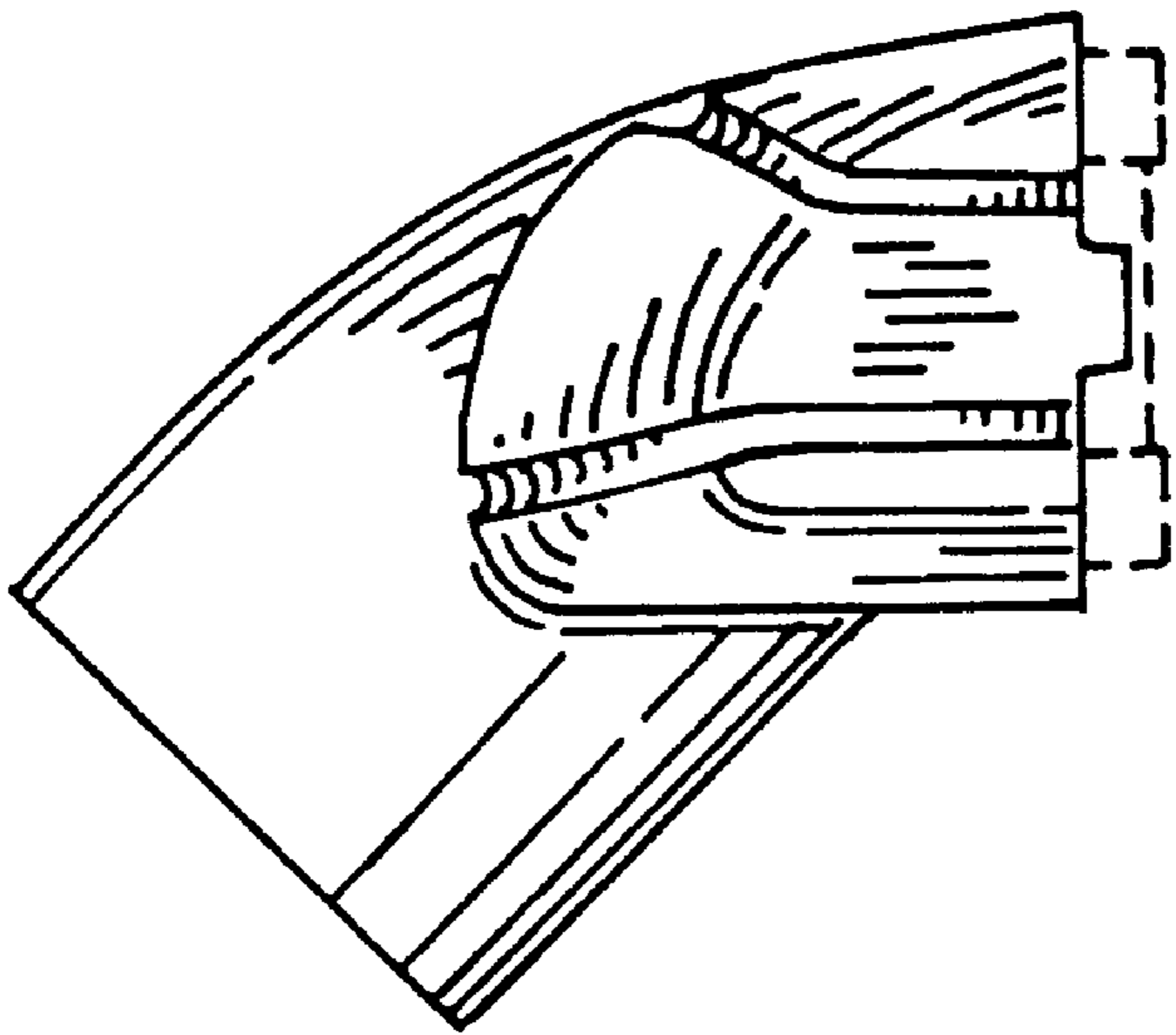


FIG. 5

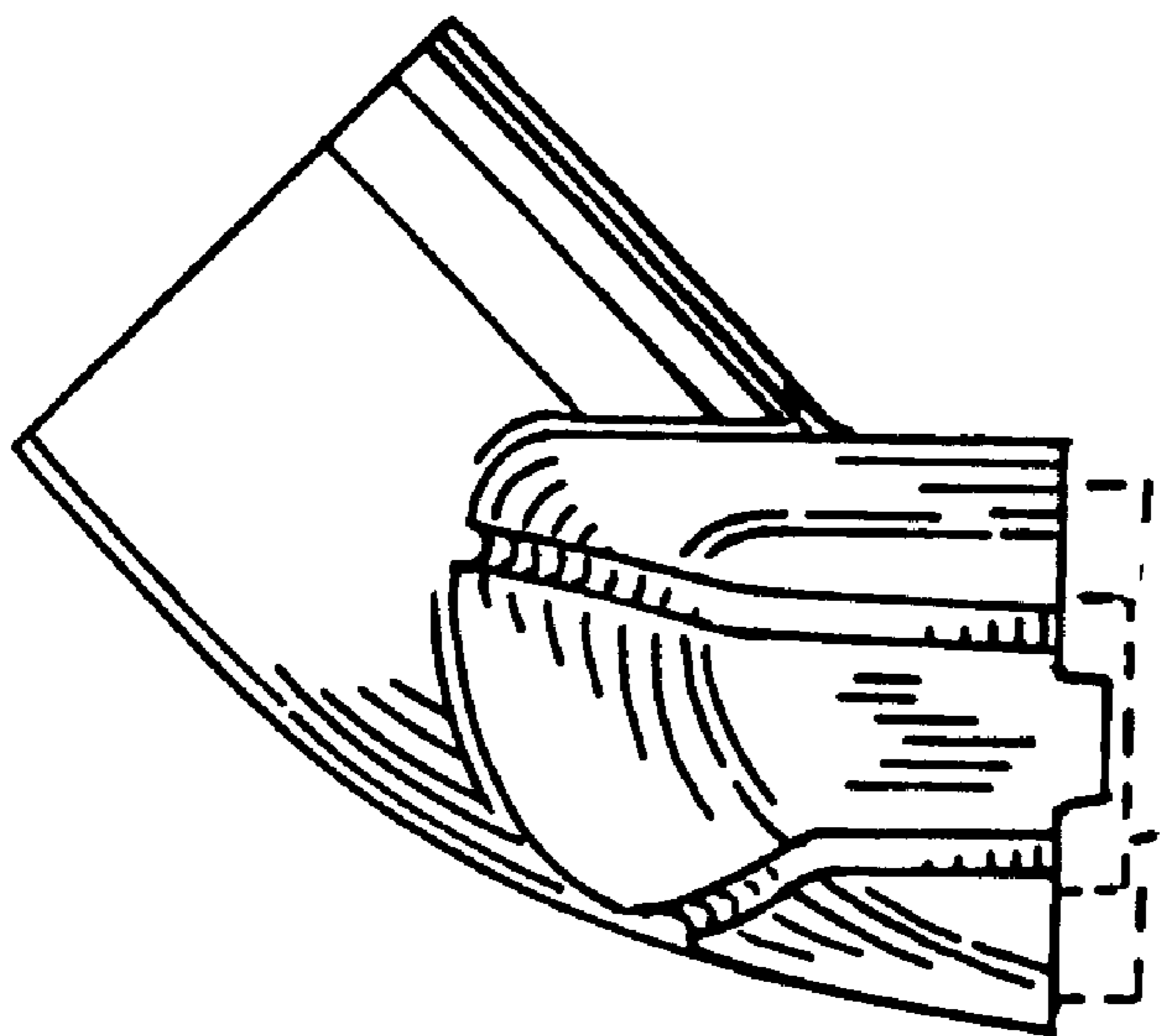


FIG. 6