



US00D439709S

(12) **United States Design Patent**
Song

(10) **Patent No.:** **US D439,709 S**

(45) **Date of Patent:** **** Mar. 27, 2001**

(54) **MAIN BODY OF AN ELECTRIC CLEANER**

(75) **Inventor:** **Seung-Wook Song, Seoul (KR)**

(73) **Assignee:** **Conet Industries, Inc., Seoul (KR)**

(*) **Notice:** This patent is subject to a terminal disclaimer.

(**) **Term:** **14 Years**

(21) **Appl. No.:** **29/116,134**

(22) **Filed:** **Dec. 27, 1999**

(51) **LOC (7) Cl.** **15-05**

(52) **U.S. Cl.** **D32/23**

(58) **Field of Search** D32/21-24, 25,
D32/31; 15/320-321, 353, 327.1, 327.2,
327.3, 327.4, 327.6, 327.7

(56) **References Cited**

U.S. PATENT DOCUMENTS

- D. 178,199 * 7/1956 Martinec D32/23
- D. 258,064 * 1/1981 Pearman, Jr. D32/23
- D. 357,336 * 4/1995 Moine et al. D32/23
- D. 357,773 * 4/1995 Wareham et al. D32/23

- D. 362,091 * 9/1995 Tomasiak et al. D32/23
- D. 362,522 * 9/1995 Kohler D32/23
- D. 372,567 * 8/1996 Moine et al. D32/23
- D. 373,862 * 9/1996 Stephens et al. D32/23
- D. 383,575 * 9/1997 Griffin D32/23

* cited by examiner

Primary Examiner—Ruth McInroy

(74) *Attorney, Agent, or Firm*—R. Neil Sudol; Henry D. Coleman; William J. Sapone

(57) **CLAIM**

The ornamental design for the main body of an electric cleaner, as shown and described.

DESCRIPTION

FIG. 1 is a perspective view of a main body of an electric cleaner, showing new design;
FIG. 2 is a front view thereof;
FIG. 3 is a rear view thereof;
FIG. 4 is a left-side view thereof;
FIG. 5 is a right-side view thereof;
FIG. 6 is a top view thereof; and,
FIG. 7 is a bottom view thereof.

1 Claim, 7 Drawing Sheets

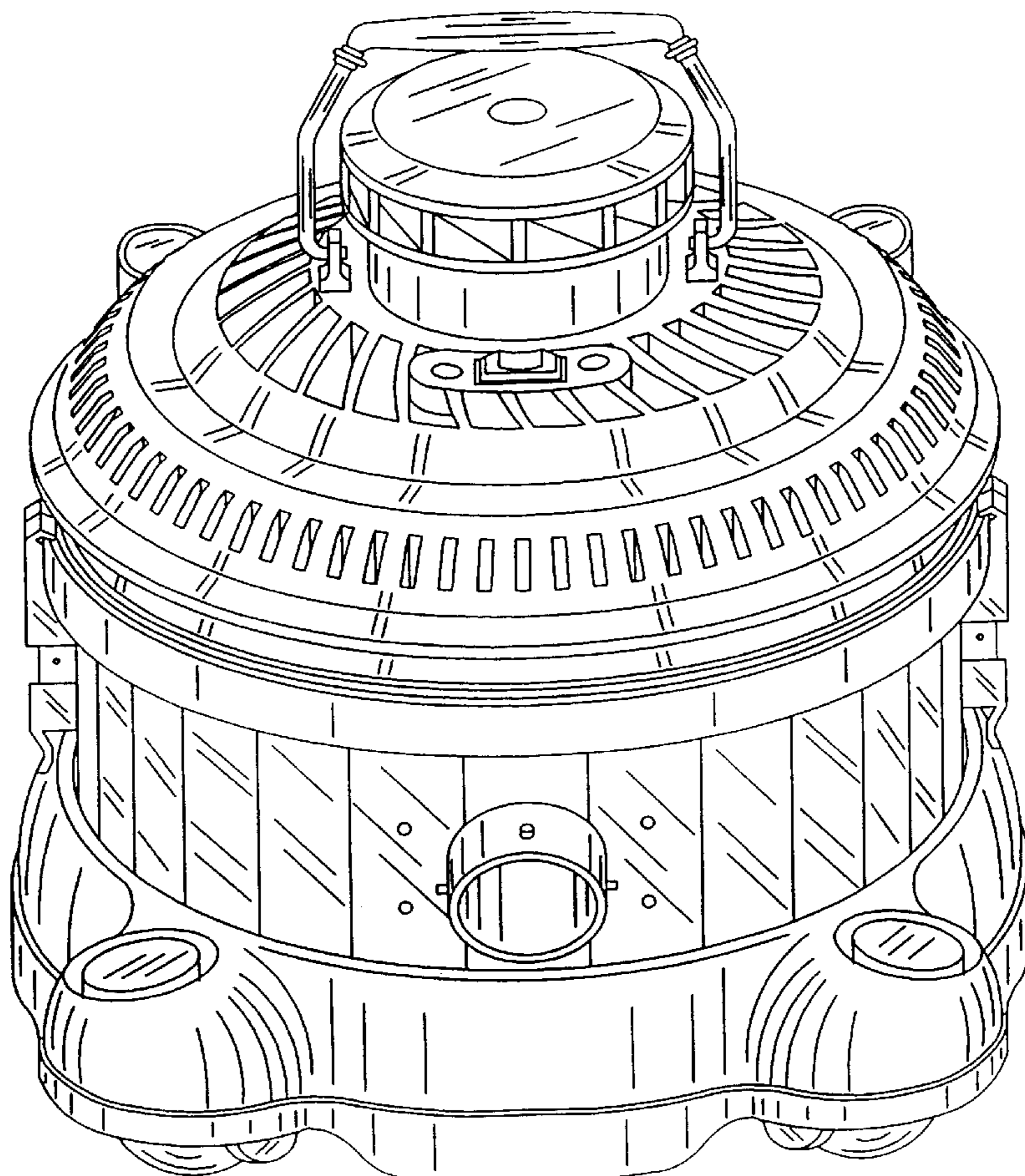


FIG. 1

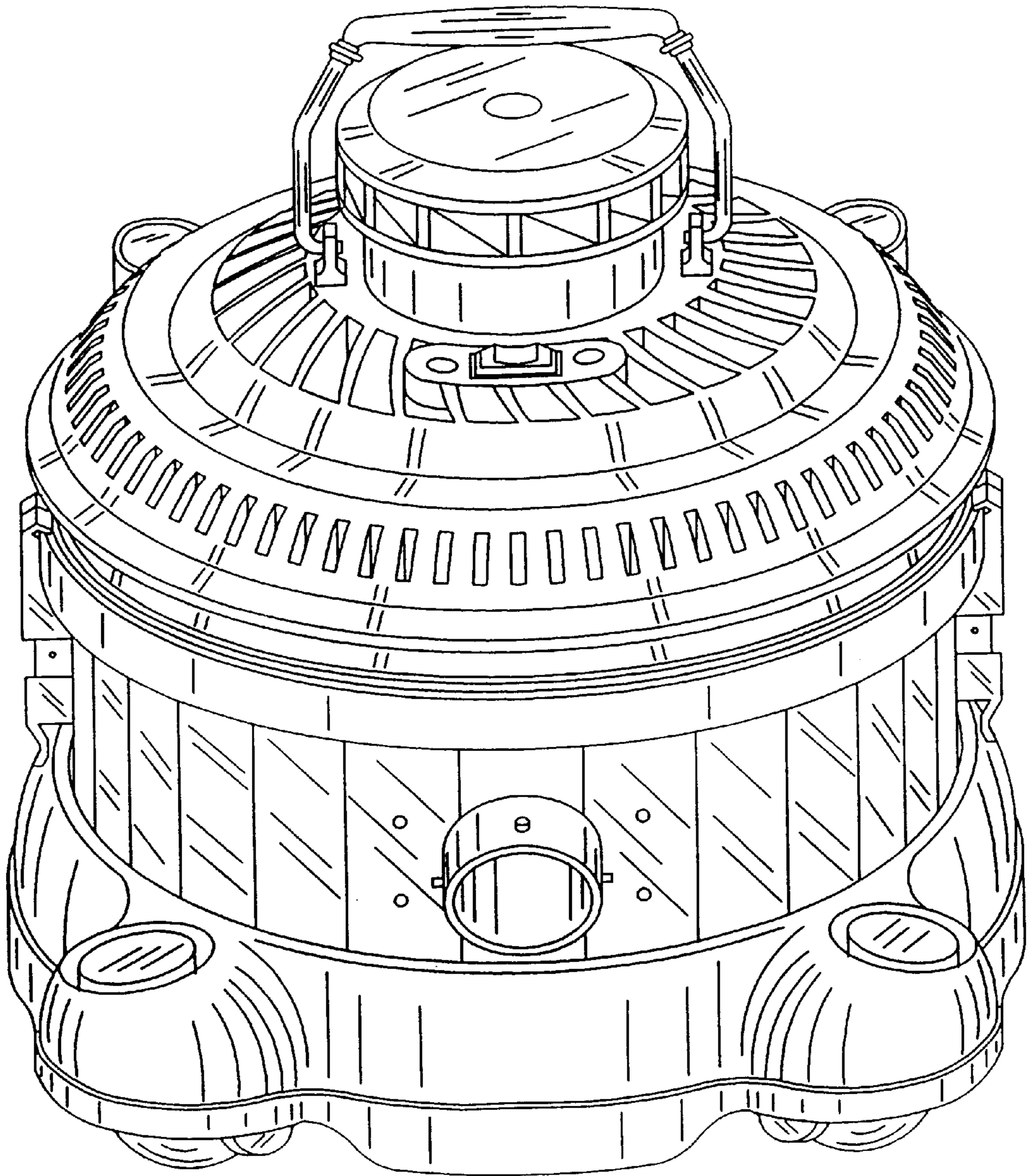


FIG. 2

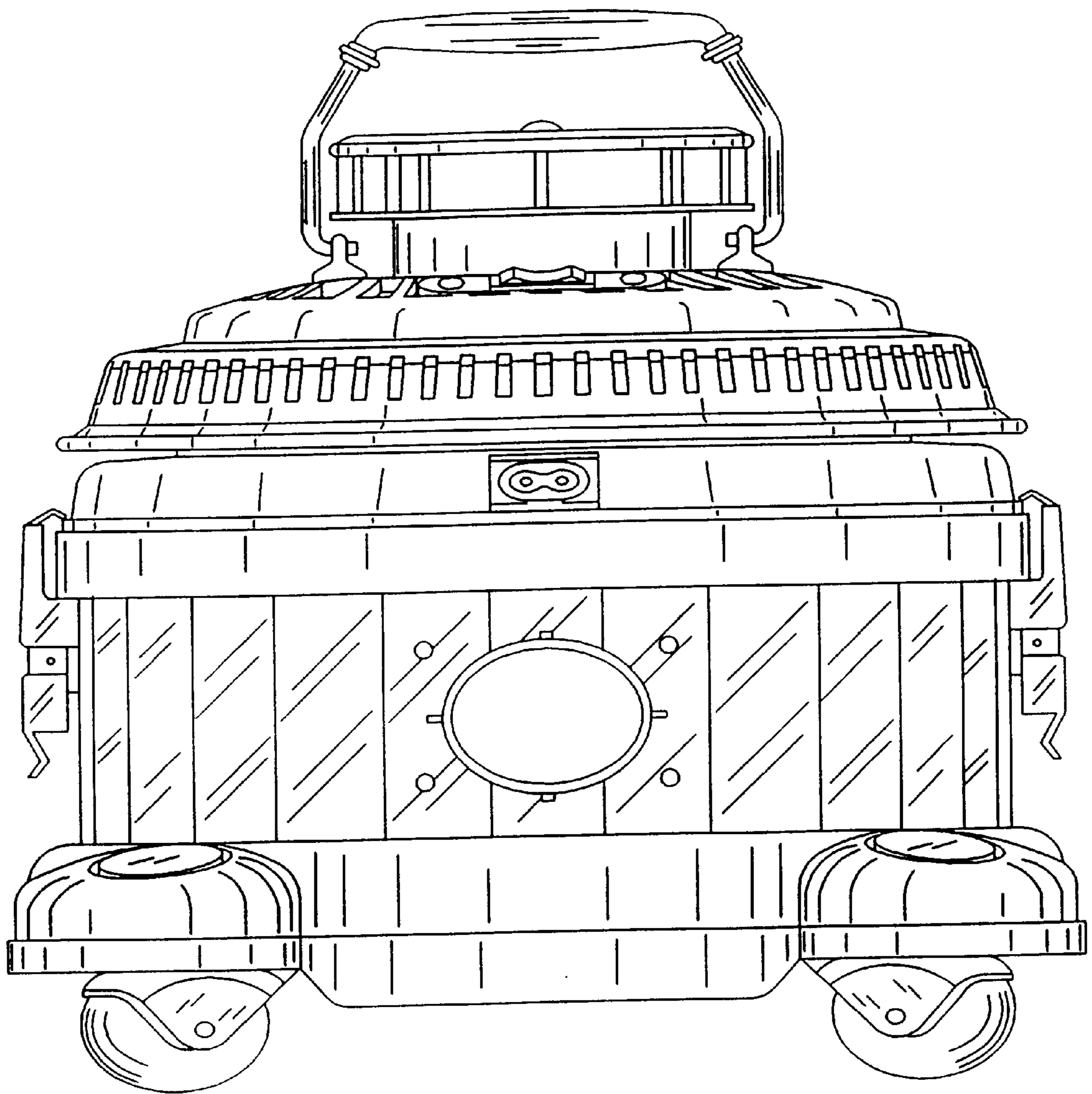


FIG. 3

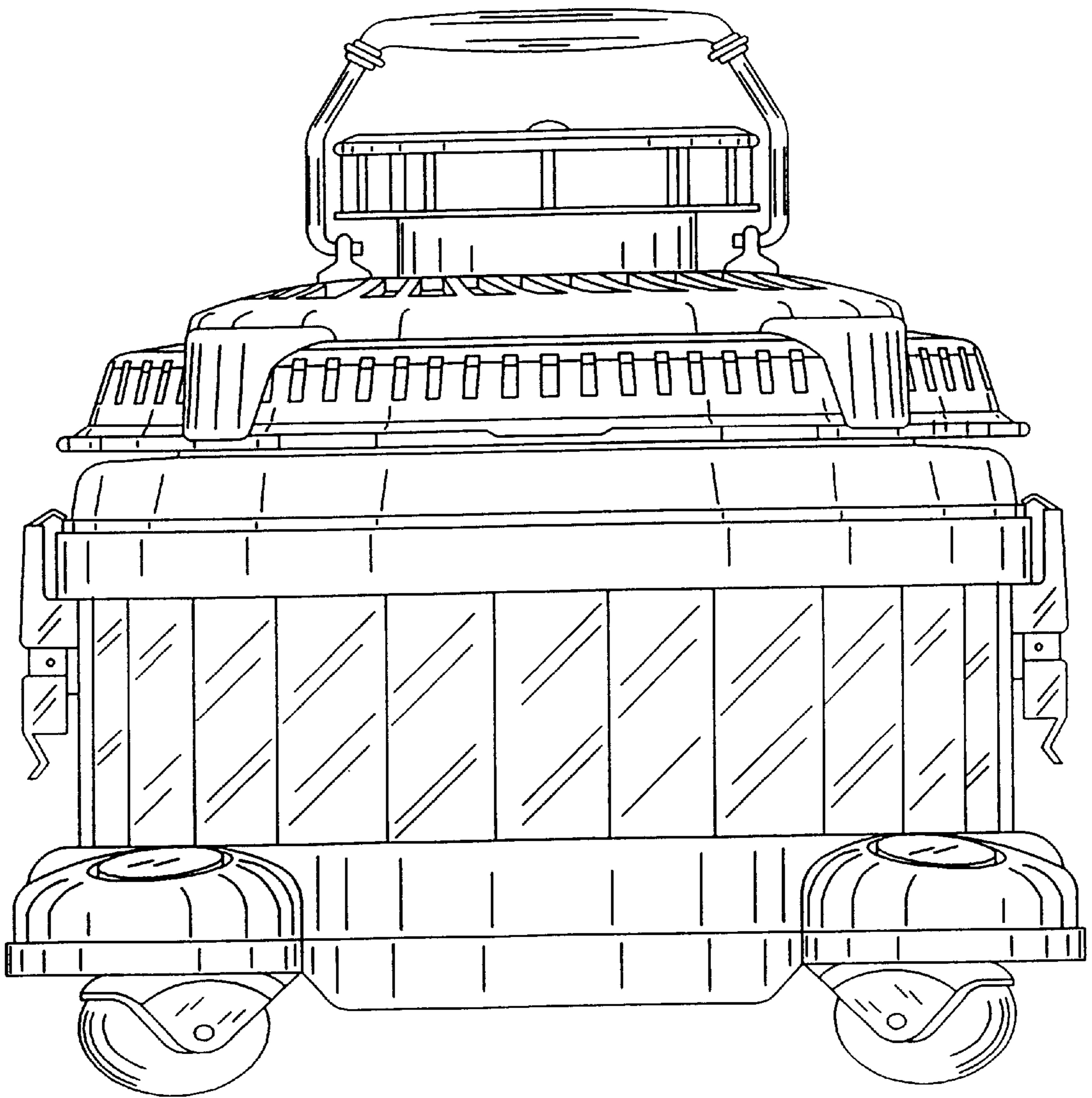


FIG. 4

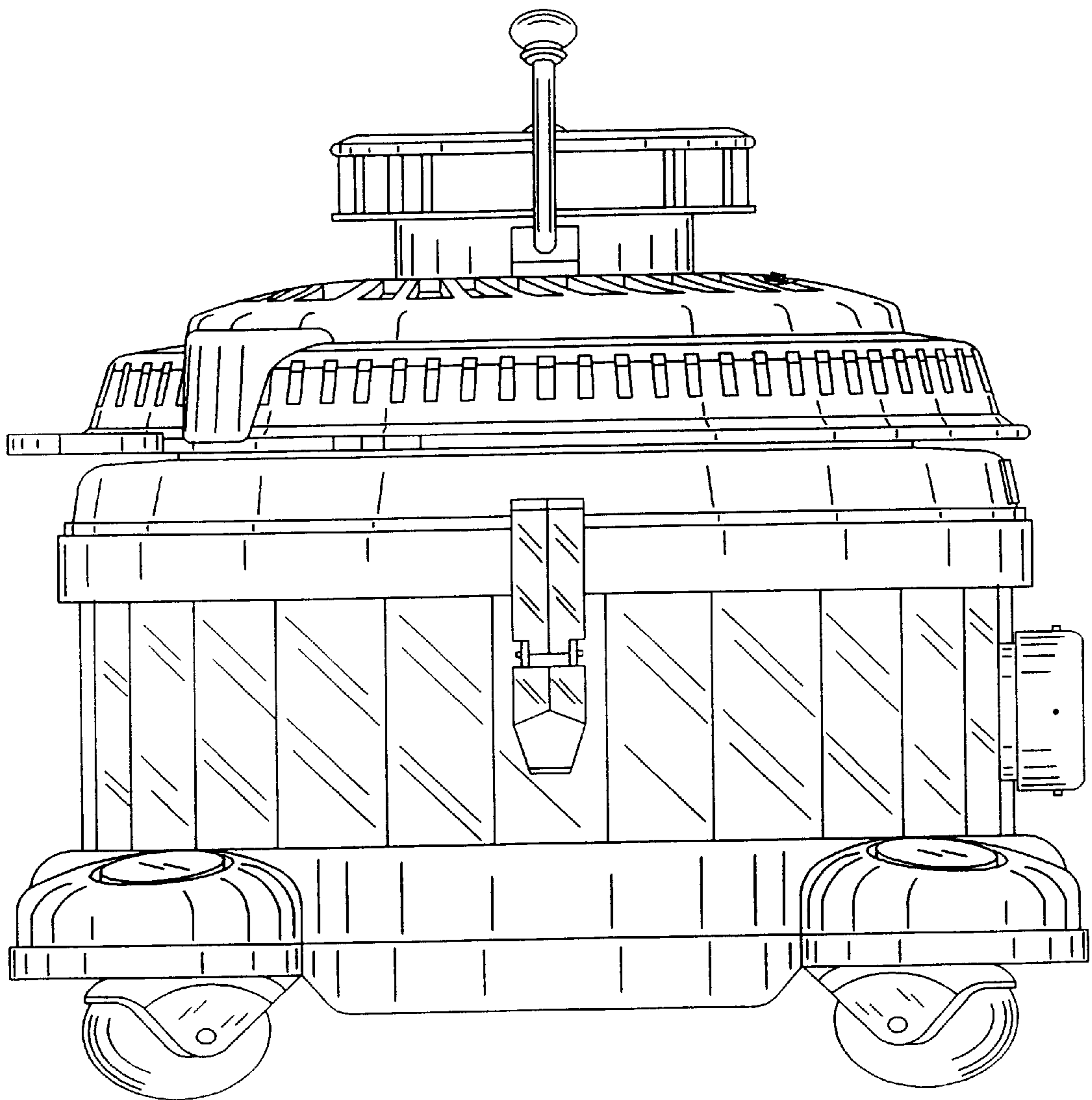


FIG. 5

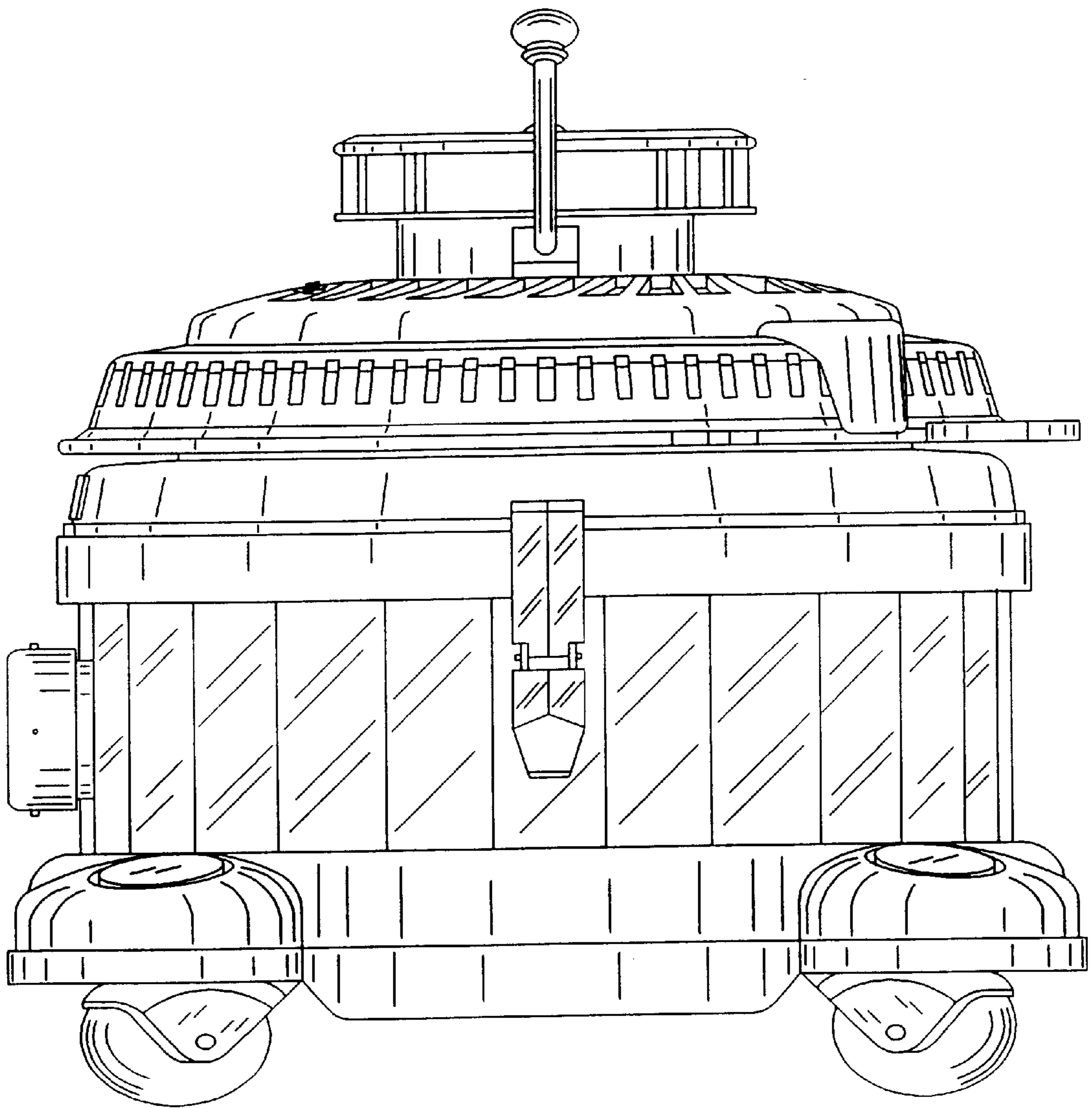


FIG. 6

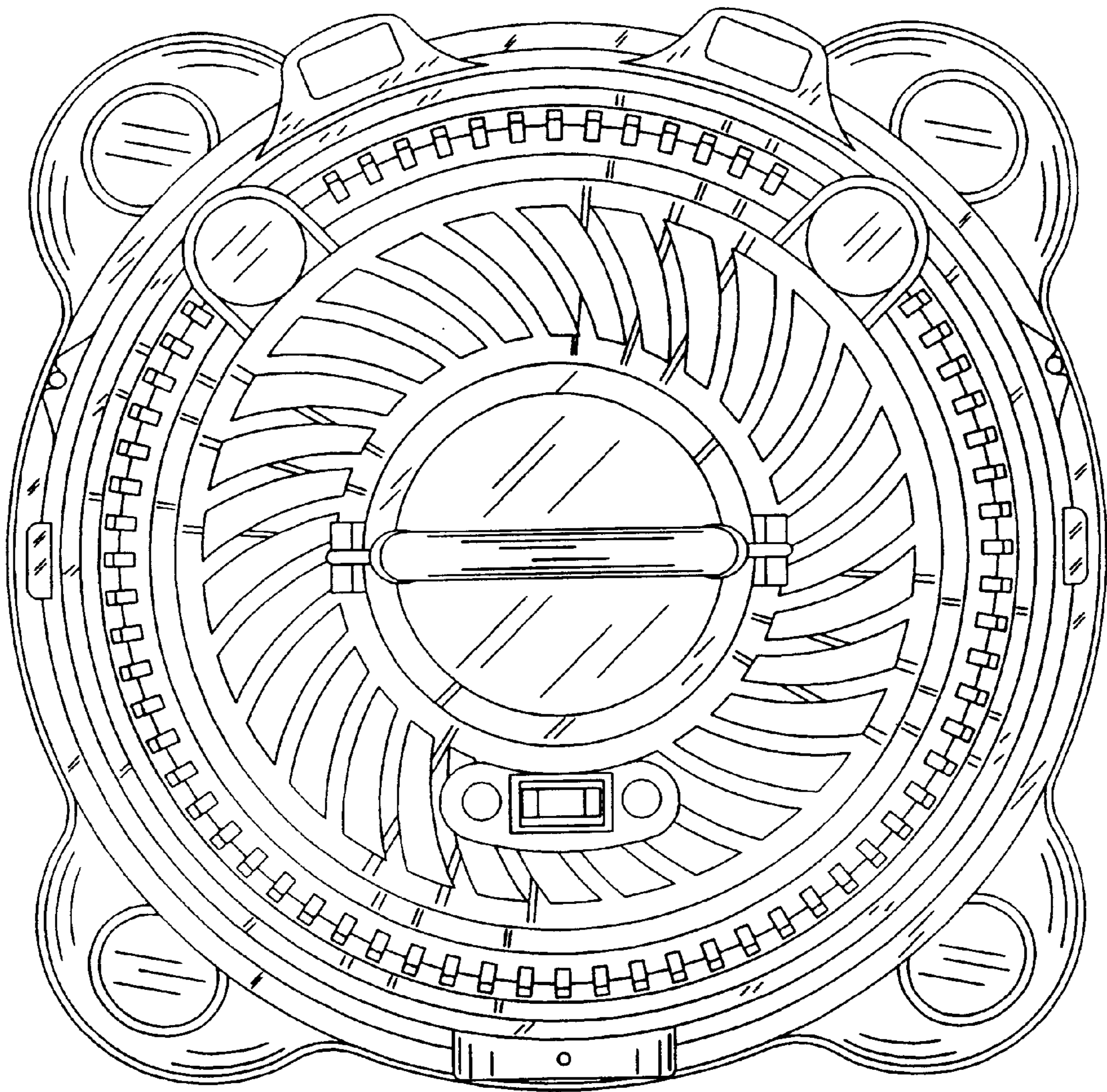


FIG. 7

