



US00D439708S

(12) **United States Design Patent**
Jenkins

(10) **Patent No.:** **US D439,708 S**

(45) **Date of Patent:** **** Mar. 27, 2001**

(54) **VIBRATING DOG COLLAR SET**

(76) Inventor: **Jill A. Jenkins**, Ottersmead, 61,
Hayling Rise, Worthing, Sussex (GB),
BN13 3AG

(**) Term: **14 Years**

(21) Appl. No.: **29/090,748**

(22) Filed: **Jul. 15, 1998**

(51) **LOC (7) Cl.** **30-04**

(52) **U.S. Cl.** **D30/152**

(58) **Field of Search** D30/152-153;
119/770, 719, 720, 792, 793, 795, 797,
856, 859, 863, 821, 865, 860, 798, 654;
D10/104, 106; 340/384.1-384.4; D29/100,
124

4,876,674	*	10/1989	Parmely et al.	119/859
4,919,082	*	4/1990	Tsai	119/720
5,054,428	*	10/1991	Farkus	119/820
5,099,797	*	3/1992	Gonda	119/720
5,271,354	*	12/1993	Barnett	119/654
5,353,744	*	10/1994	Custer	119/719
5,494,002	*	2/1996	Greene	119/719
5,605,116	*	2/1997	Kim et al.	119/720
5,617,814	*	4/1997	Bianco et al.	119/720
5,640,932	*	6/1997	Bianco et al.	119/720
5,666,908	*	9/1997	So	119/720

OTHER PUBLICATIONS

Taylor Gifts Catalog; p. 16; Pet-Agree ultrasonic training collar, Aug. 1990.*

* cited by examiner

Primary Examiner—Cathy Anne MacCormac

(56) **References Cited**

U.S. PATENT DOCUMENTS

D. 214,736 * 7/1969 Anderson et al. D30/152

D. 322,871 * 12/1991 Heyman et al. D30/152

D. 330,522 * 10/1992 Mokhtarian D10/104

D. 374,831 * 10/1996 Hoyt D10/104

D. 377,320 * 1/1997 McGuire D10/104

D. 381,922 * 8/1997 Casperson D10/104

D. 388,005 * 12/1997 Henderson D10/104

D. 391,685 * 3/1998 Kinniburgh D29/124

D. 396,426 * 7/1998 Lambert D10/106

634,129 * 10/1899 Bynell 119/792

3,137,271 * 6/1964 Etter 119/719

4,335,682 * 6/1982 Gonda et al. 119/719

4,794,402 * 12/1988 Gonda et al. 119/720

4,802,482 * 2/1989 Gonda et al. 119/720

(57) **CLAIM**

The ornamental design for a vibrating dog collar set, as shown and described.

DESCRIPTION

FIG. 1 is a front elevational view of a vibrating dog collar set;

FIG. 2 is a rear elevational view thereof;

FIG. 3 is a right side elevational view thereof;

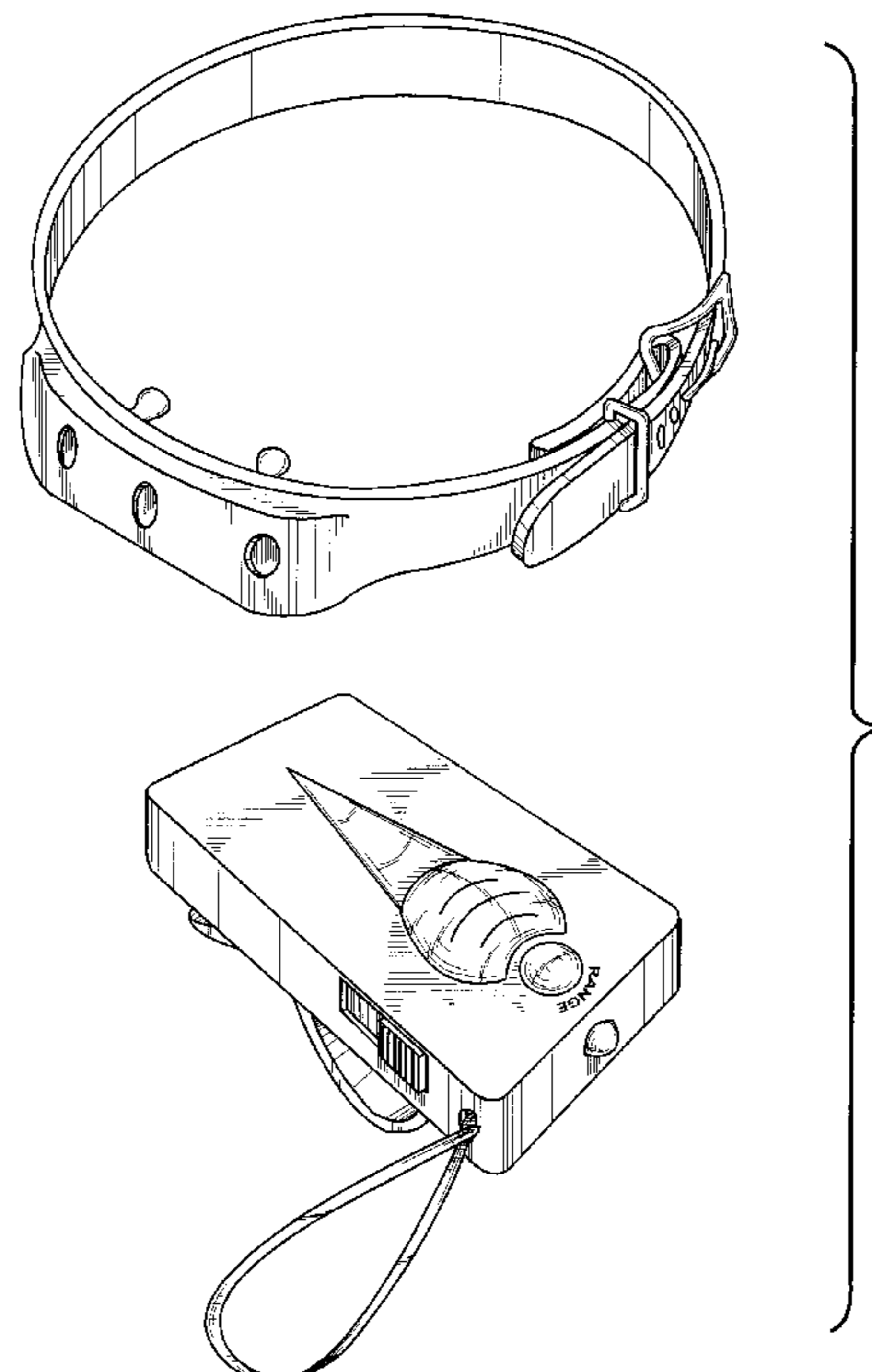
FIG. 4 is a left side elevational view thereof;

FIG. 5 is a top plan view thereof;

FIG. 6 is a bottom plan view thereof; and,

FIG. 7 is a perspective view thereof.

1 Claim, 7 Drawing Sheets



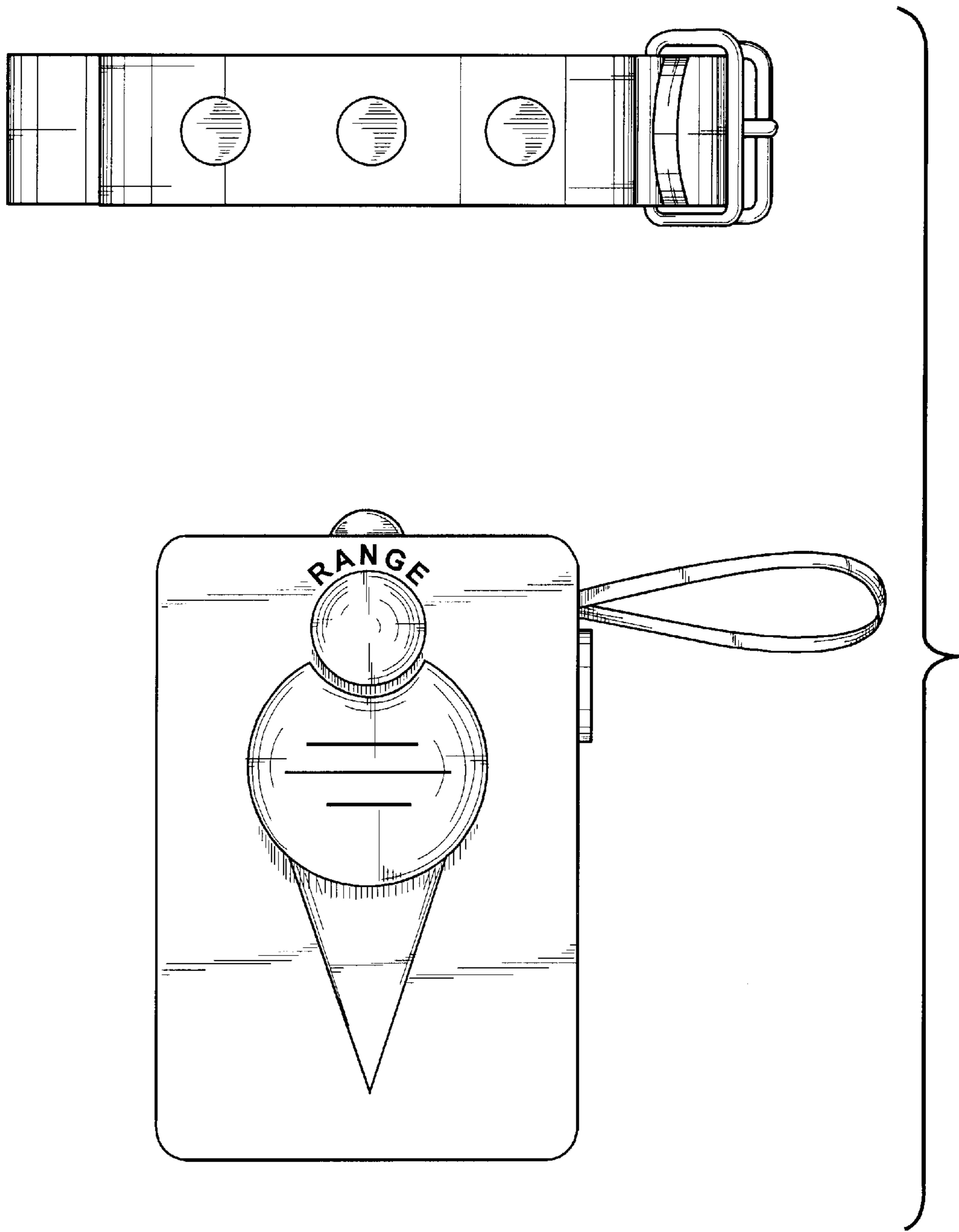


Fig. 1

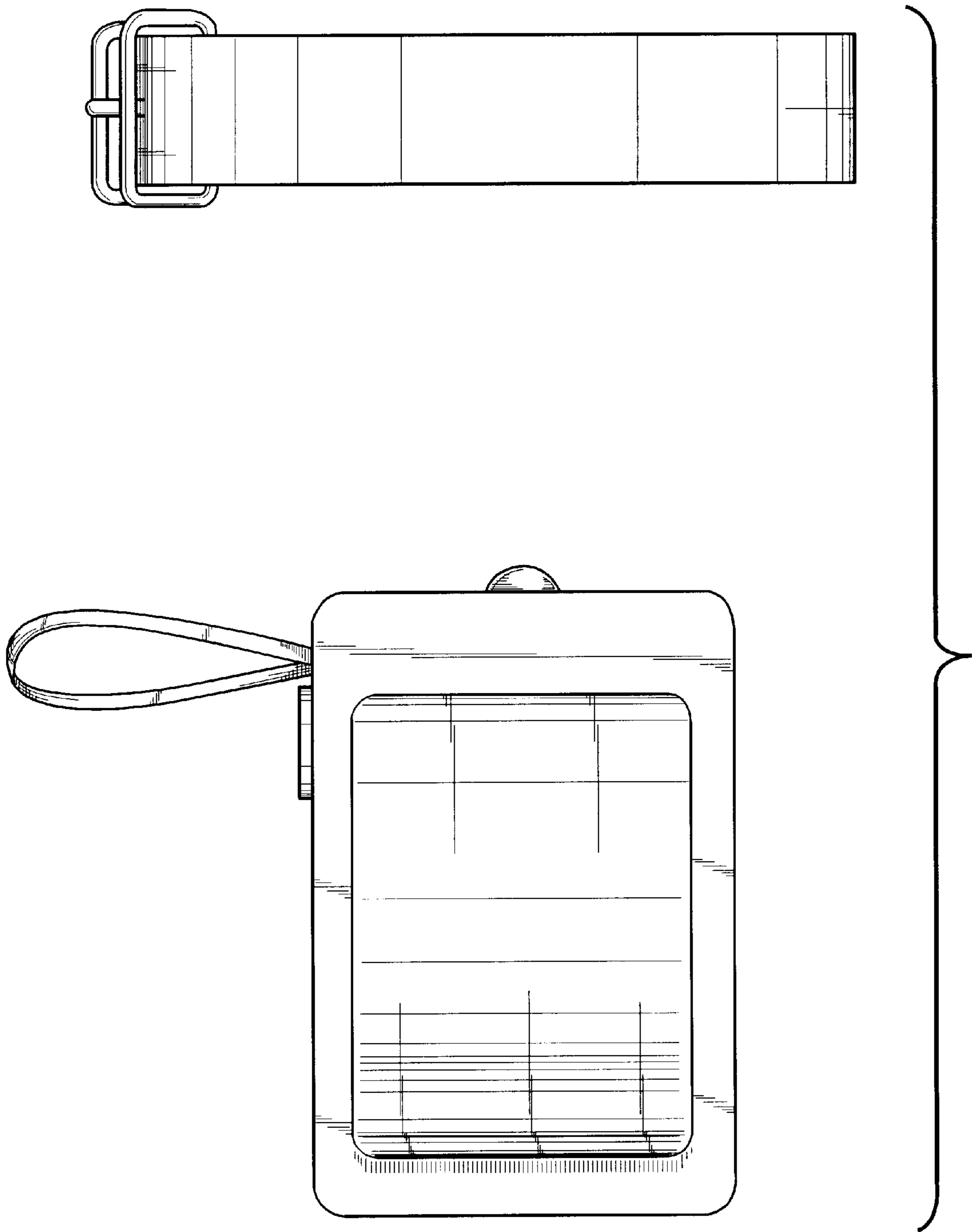


Fig. 2

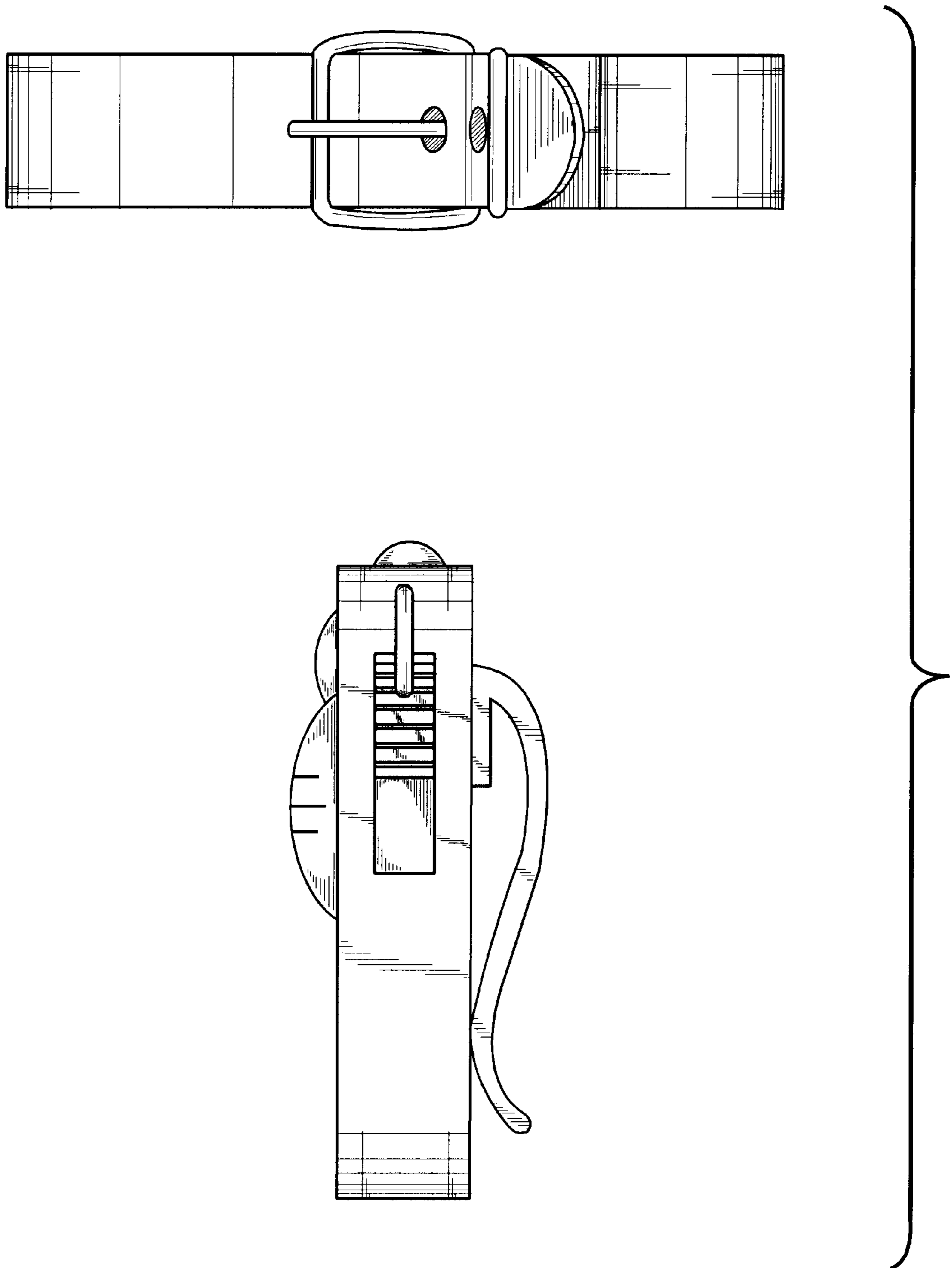


Fig. 3

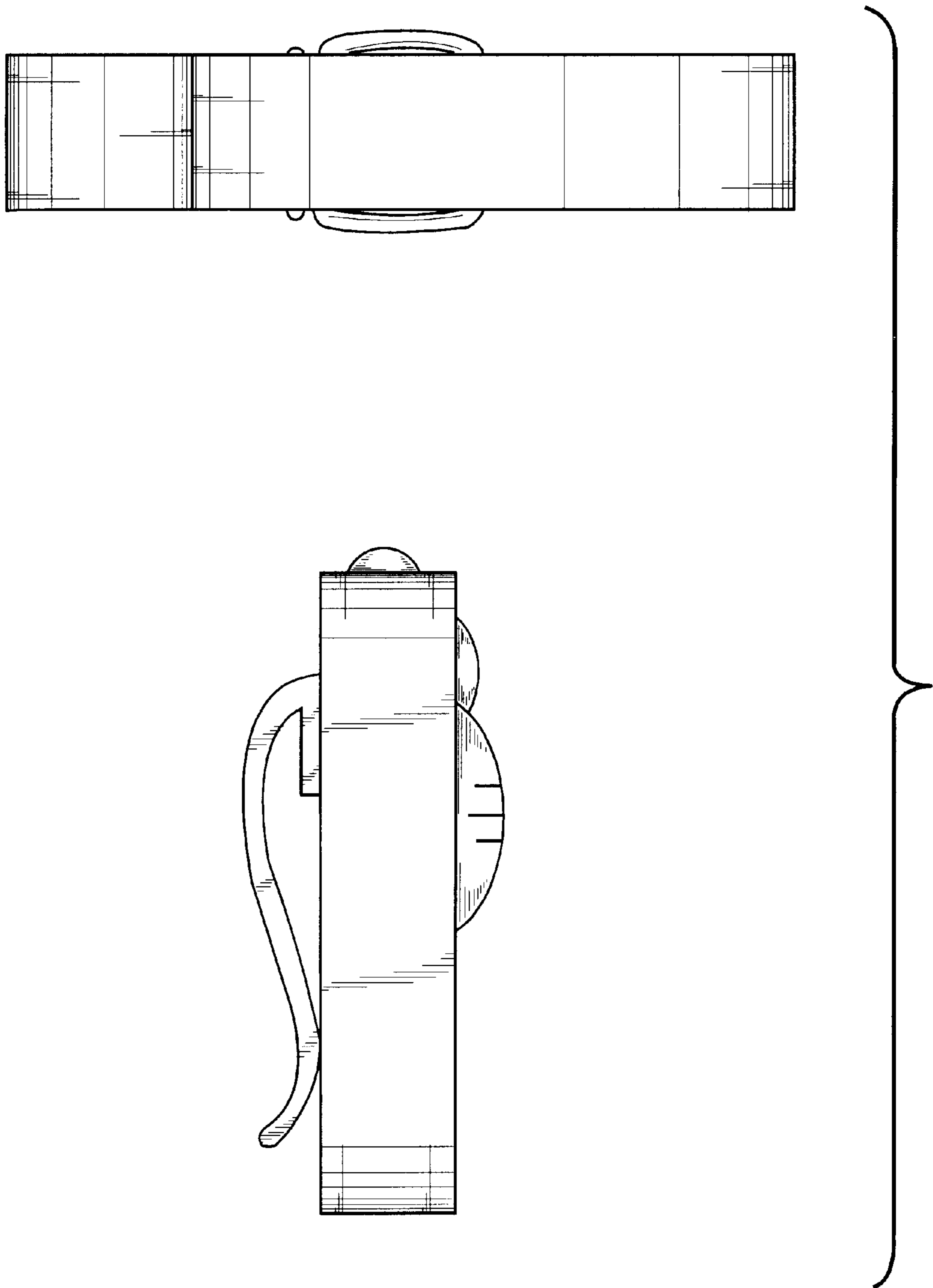


Fig. 4

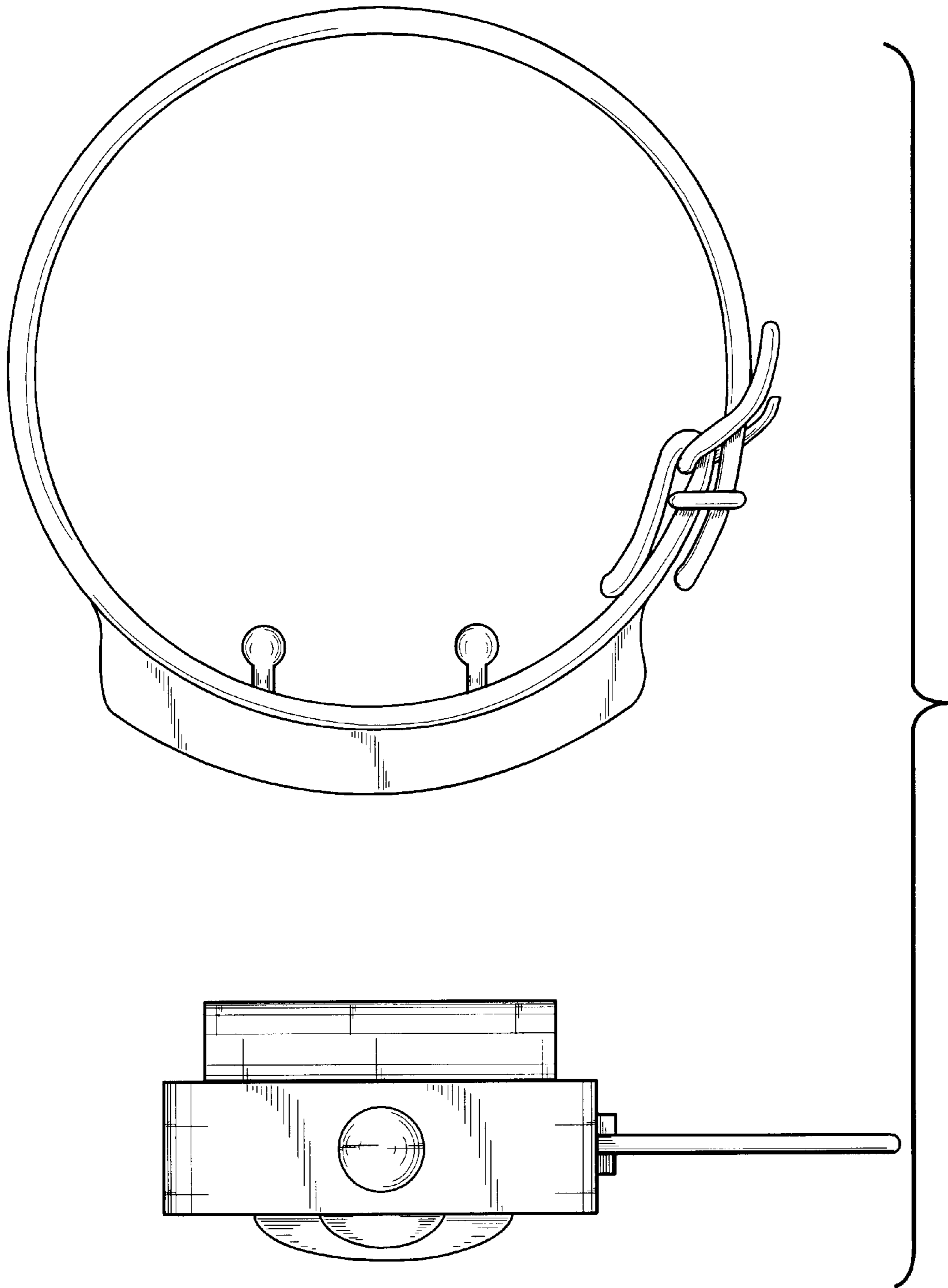


Fig. 5

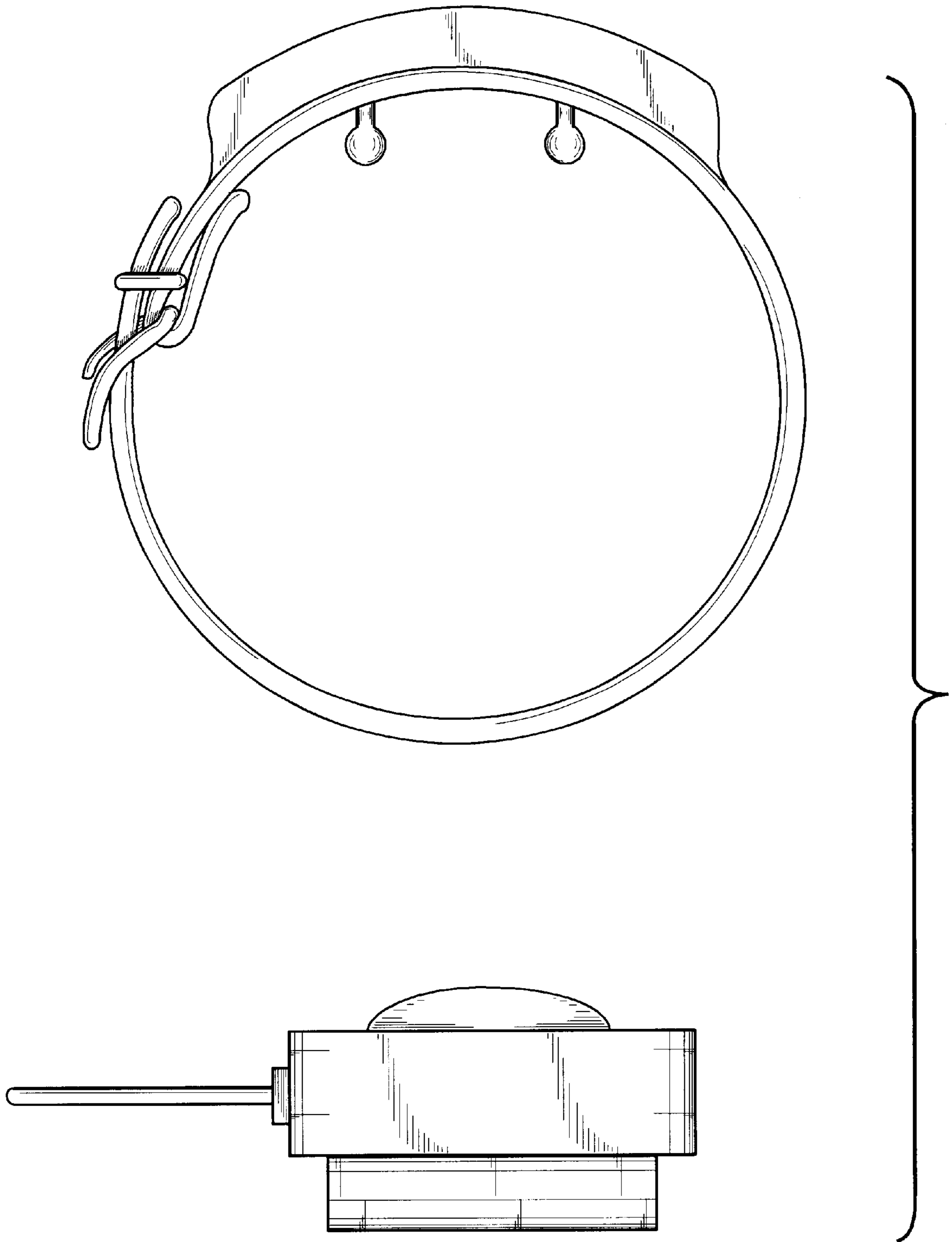


Fig. 6

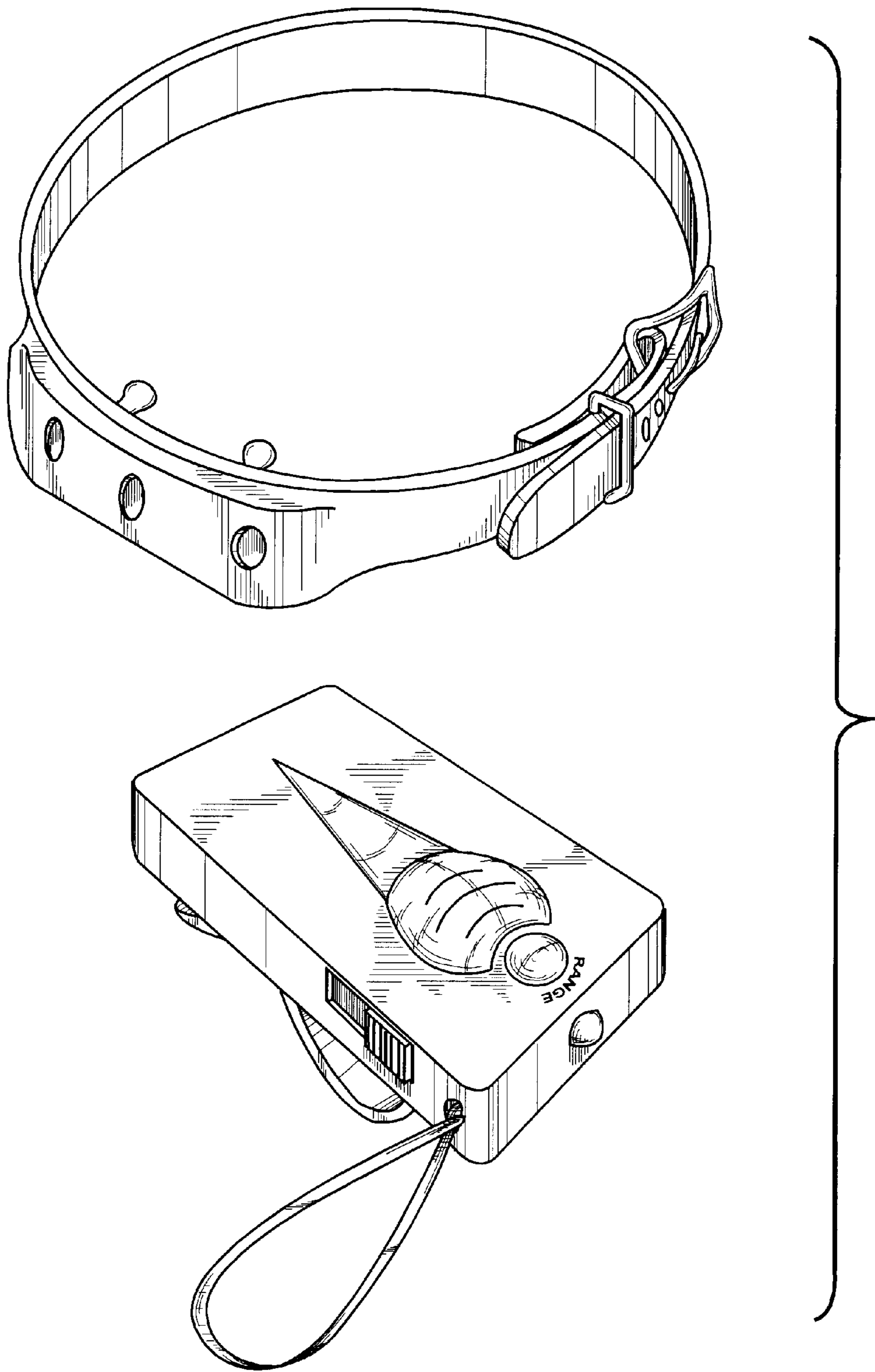


Fig. 7