



US00D439701S

(12) **United States Design Patent**
Engelen

(10) **Patent No.:** **US D439,701 S**

(45) **Date of Patent:** **** Mar. 27, 2001**

(54) **HOT AIR BRUSH**

(75) **Inventor:** **Helena Gerarda G. J. Engelen,**
Groningen (NL)

(73) **Assignee:** **U.S. Philips Corporation,** New York,
NY (US)

(**) **Term:** **14 Years**

(21) **Appl. No.:** **29/122,658**

(22) **Filed:** **May 2, 2000**

(30) **Foreign Application Priority Data**

Dec. 2, 1999 (XH) DMA/004 720

(51) **LOC (7) Cl.** **28-03**

(52) **U.S. Cl.** **D28/13**

(58) **Field of Search** D28/10, 12, 13,
D28/35; D4/116, 102, 128, 136, 212, 229,
271; 132/118, 119.1, 227, 228, 229; 219/222,
225; 34/96, 97, 98, 101

(56) **References Cited**

U.S. PATENT DOCUMENTS

D. 230,778 * 3/1974 Kahn D4/102

D. 251,205 * 2/1979 Ergaver et al. D28/35
D. 334,666 * 4/1993 Bell et al. D4/116
D. 383,245 * 9/1997 Seifert D28/13
D. 418,249 * 12/1999 Elkerbout D28/100
5,212,366 * 5/1993 McDougall 219/222

* cited by examiner

Primary Examiner—Paula A. Mortimer

(74) *Attorney, Agent, or Firm*—Ernestine C. Bartlett

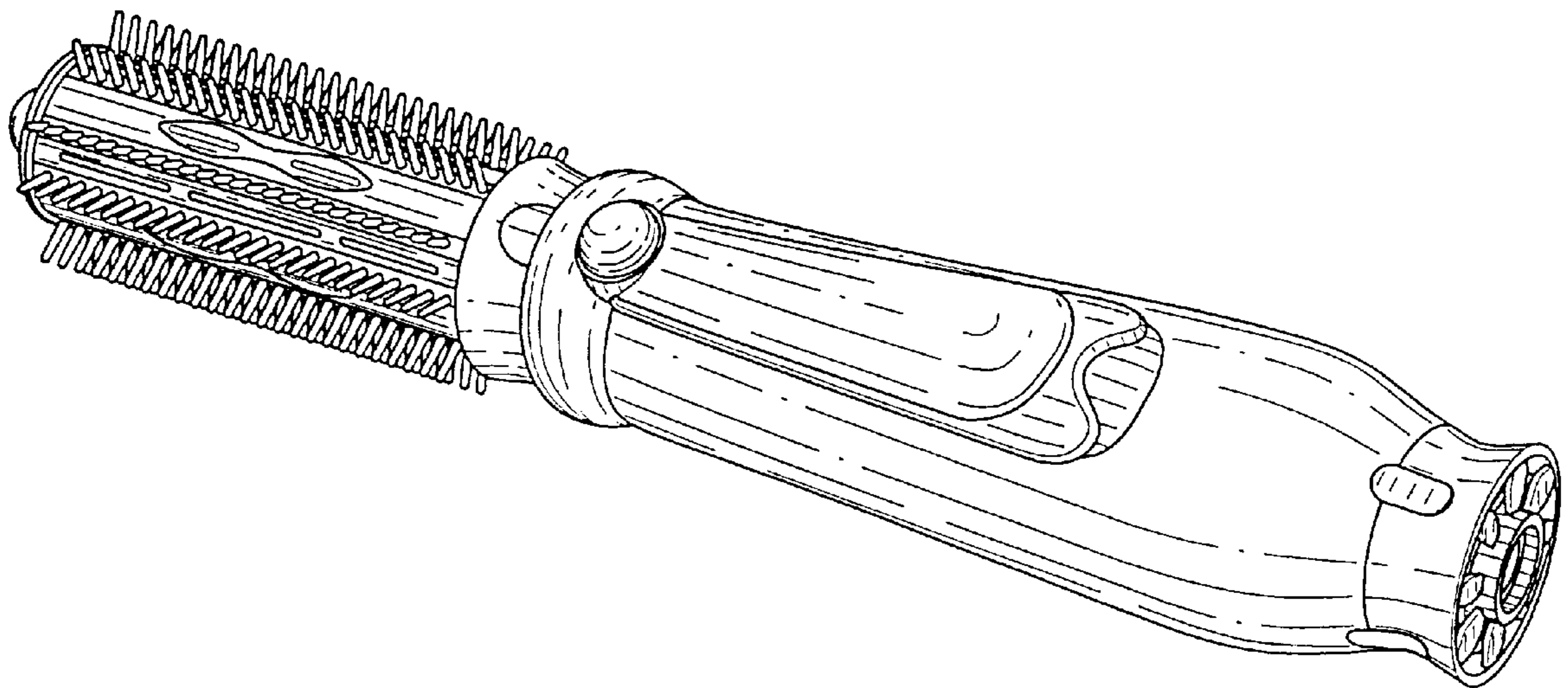
(57) **CLAIM**

The ornamental design for a hot air brush, as shown.

DESCRIPTION

FIG. 1 is a perspective view showing my design;
FIG. 2 is a front elevational view thereof;
FIG. 3 is a rear elevational view thereof;
FIG. 4 is a right side elevational view thereof;
FIG. 5 is a left side elevational view thereof;
FIG. 6 is a top plan view thereof; and,
FIG. 7 is a bottom plan view thereof.

1 Claim, 3 Drawing Sheets



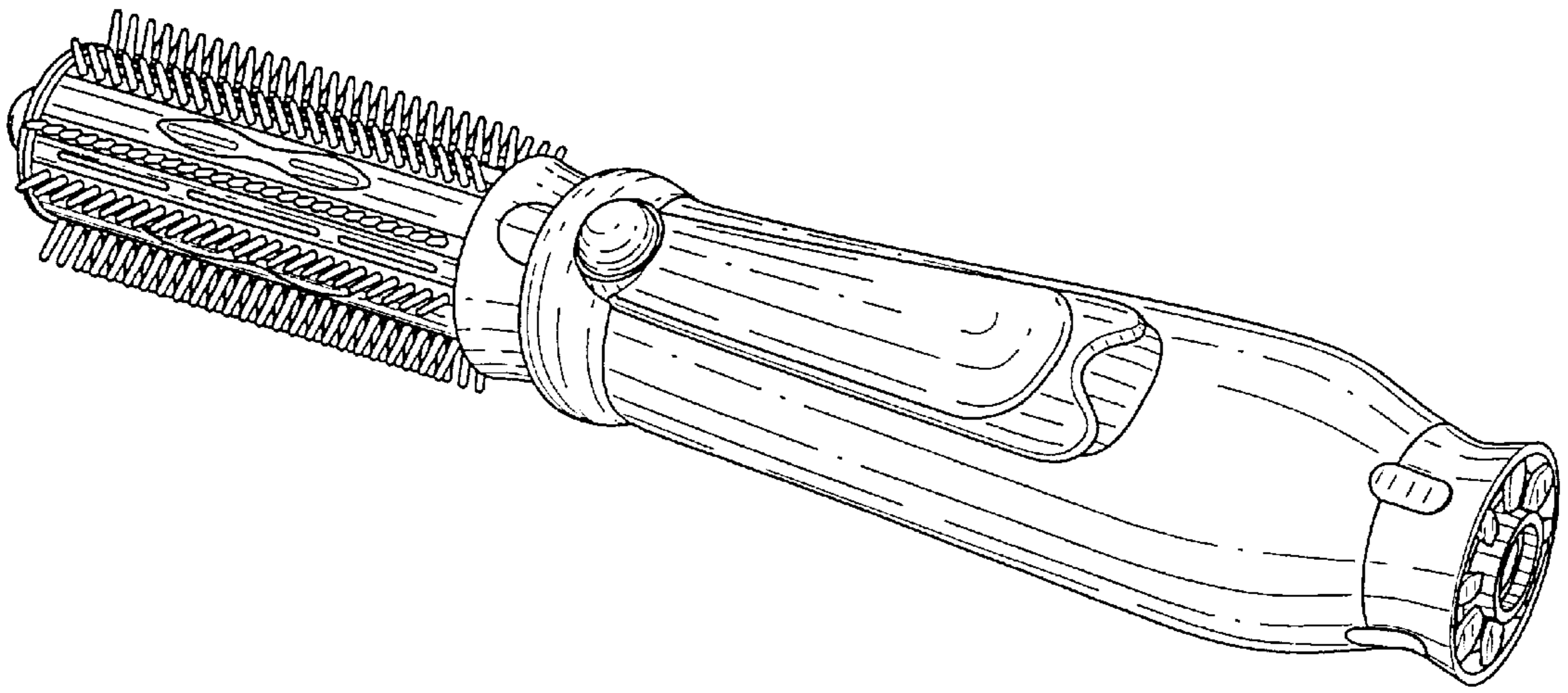


FIG. 1

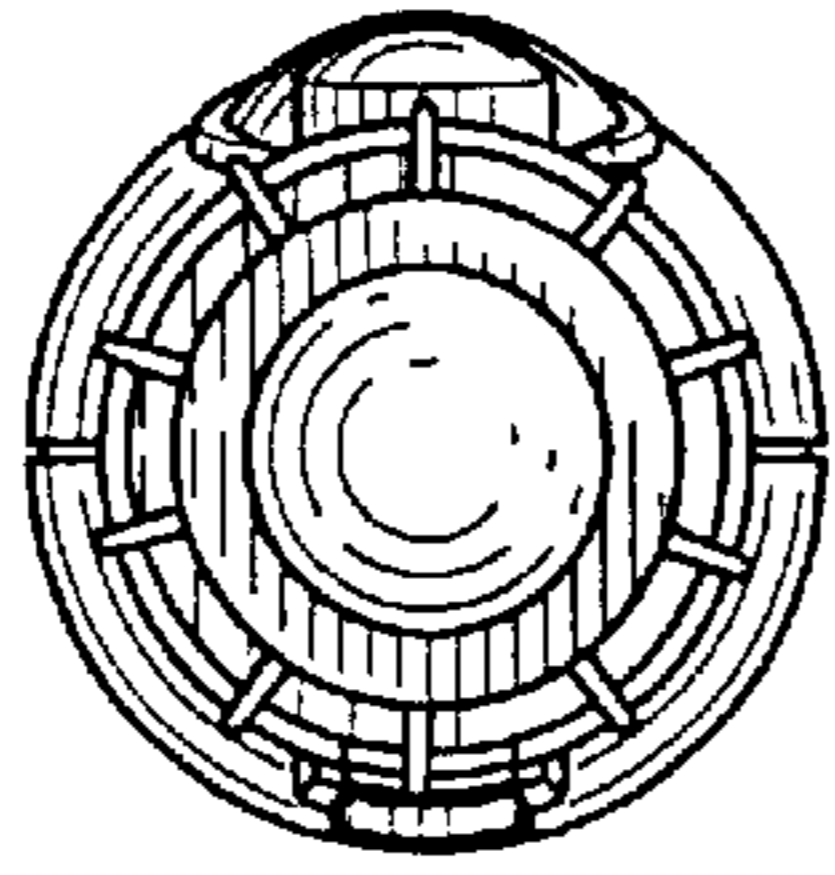


FIG. 2

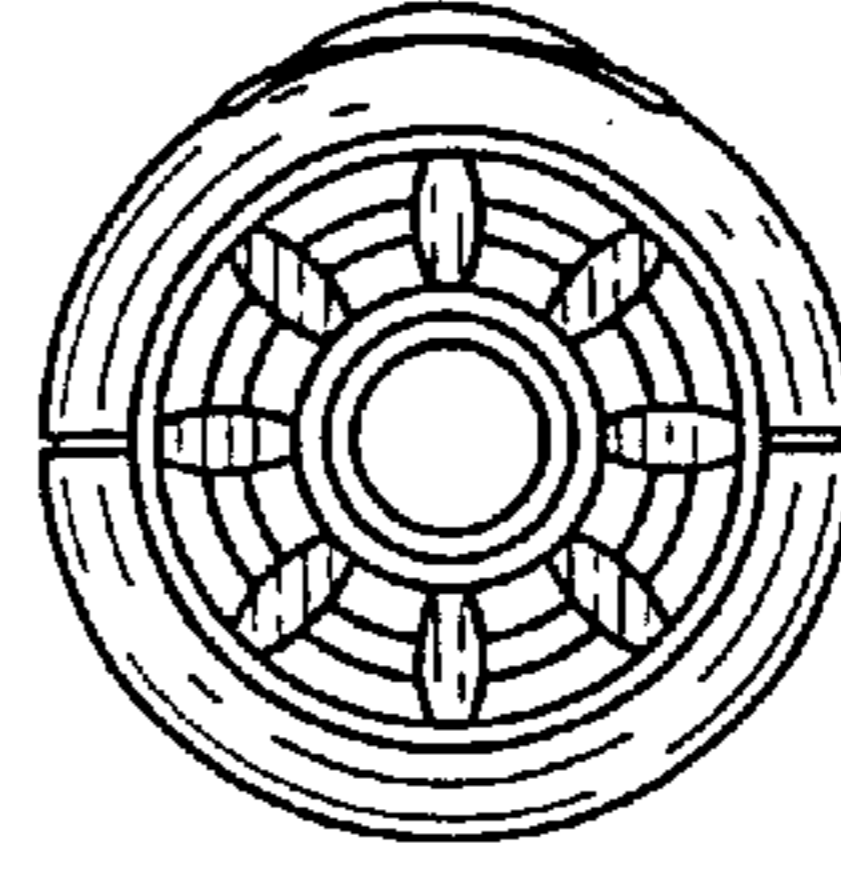


FIG. 3

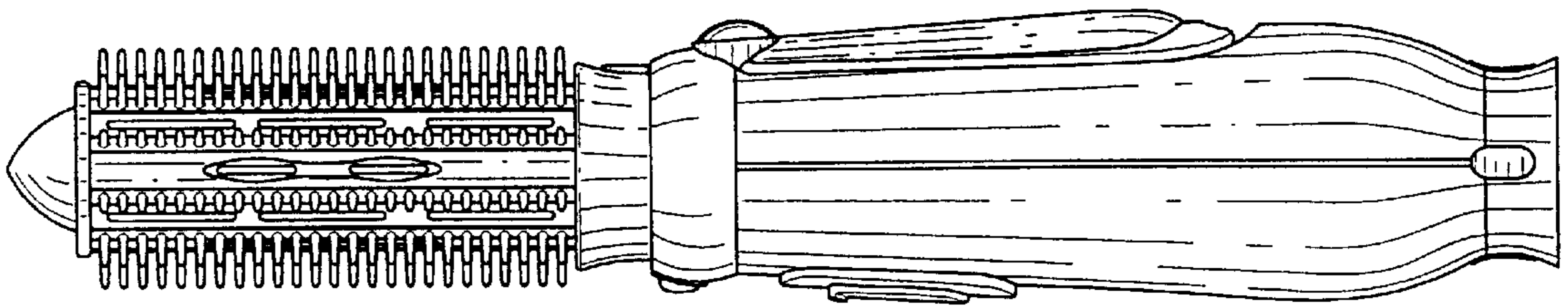


FIG. 4

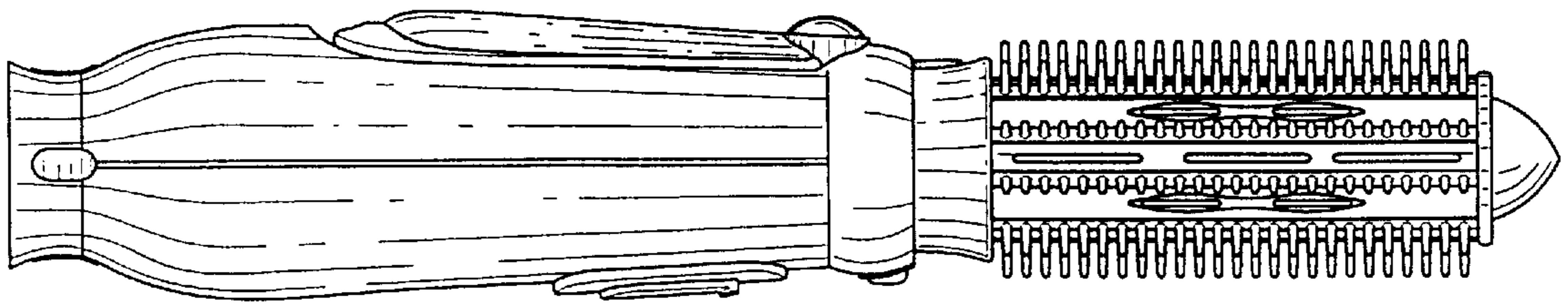


FIG. 5

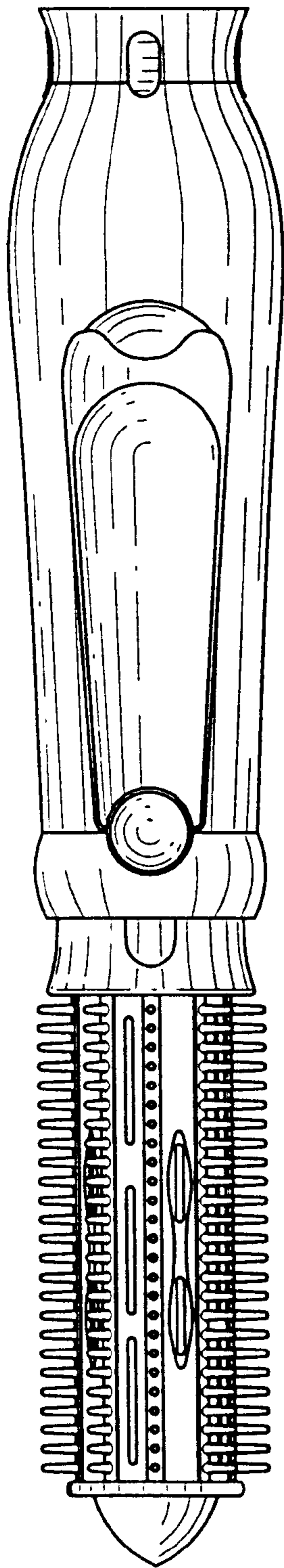


FIG. 6

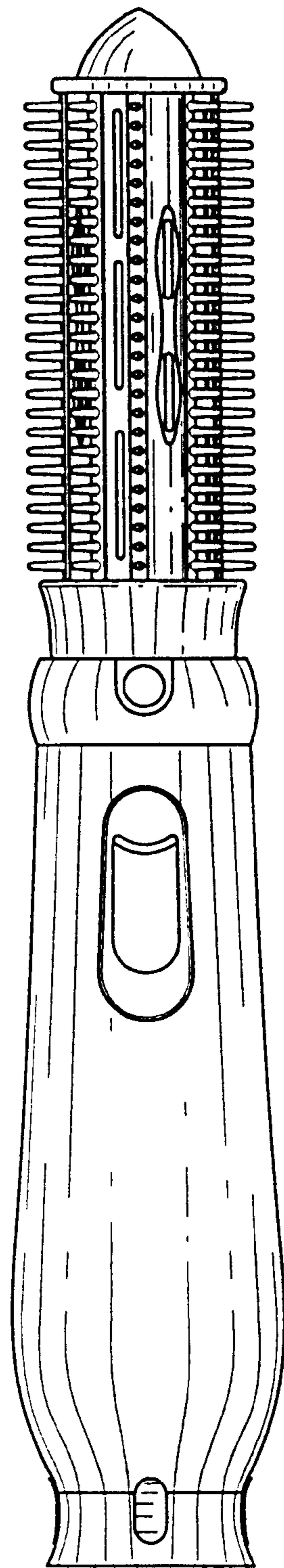


FIG. 7