



US00D439697S

(12) **United States Design Patent**
Klaus

(10) **Patent No.:** **US D439,697 S**

(45) **Date of Patent:** **** Mar. 27, 2001**

(54) **TEMPORARY LIGHTING UNIT**

4,791,541 12/1988 Simmons 362/376

(75) Inventor: **Dale A. Klaus**, St. Albans, MO (US)

* cited by examiner

(73) Assignee: **Engineered Products Company**,
Plymouth, MN (US)

Primary Examiner—Alan P. Douglas

Assistant Examiner—Linda Brooks

(**) Term: **14 Years**

(74) *Attorney, Agent, or Firm*—Schwegman, Lundberg,
Woessner & Kluth, P.A.

(21) Appl. No.: **29/111,060**

(57) **CLAIM**

(22) Filed: **Sep. 17, 1999**

The ornamental design for a temporary lighting unit, as shown and described.

(51) **LOC (7) Cl.** **26-99**

DESCRIPTION

(52) **U.S. Cl.** **D26/119**

(58) **Field of Search** D26/37-50, 61,
D26/72-92, 119-124; 362/376-378, 344,
258, 396, 399

FIG. 1 is a perspective view of a temporary lighting unit, incorporating the new design.

FIG. 2 is a front elevation of the temporary lighting unit of FIG. 1.

FIG. 3 is a rear elevation of the temporary lighting unit of FIG. 1.

FIG. 4 is a right side elevation the temporary lighting unit of FIG. 1.

FIG. 5 is a left side elevation the temporary lighting unit of FIG. 1.

FIG. 6 is a top plan of the temporary lighting unit of FIG. 1; and,

FIG. 7 is a bottom plan of the temporary lighting unit of FIG. 1.

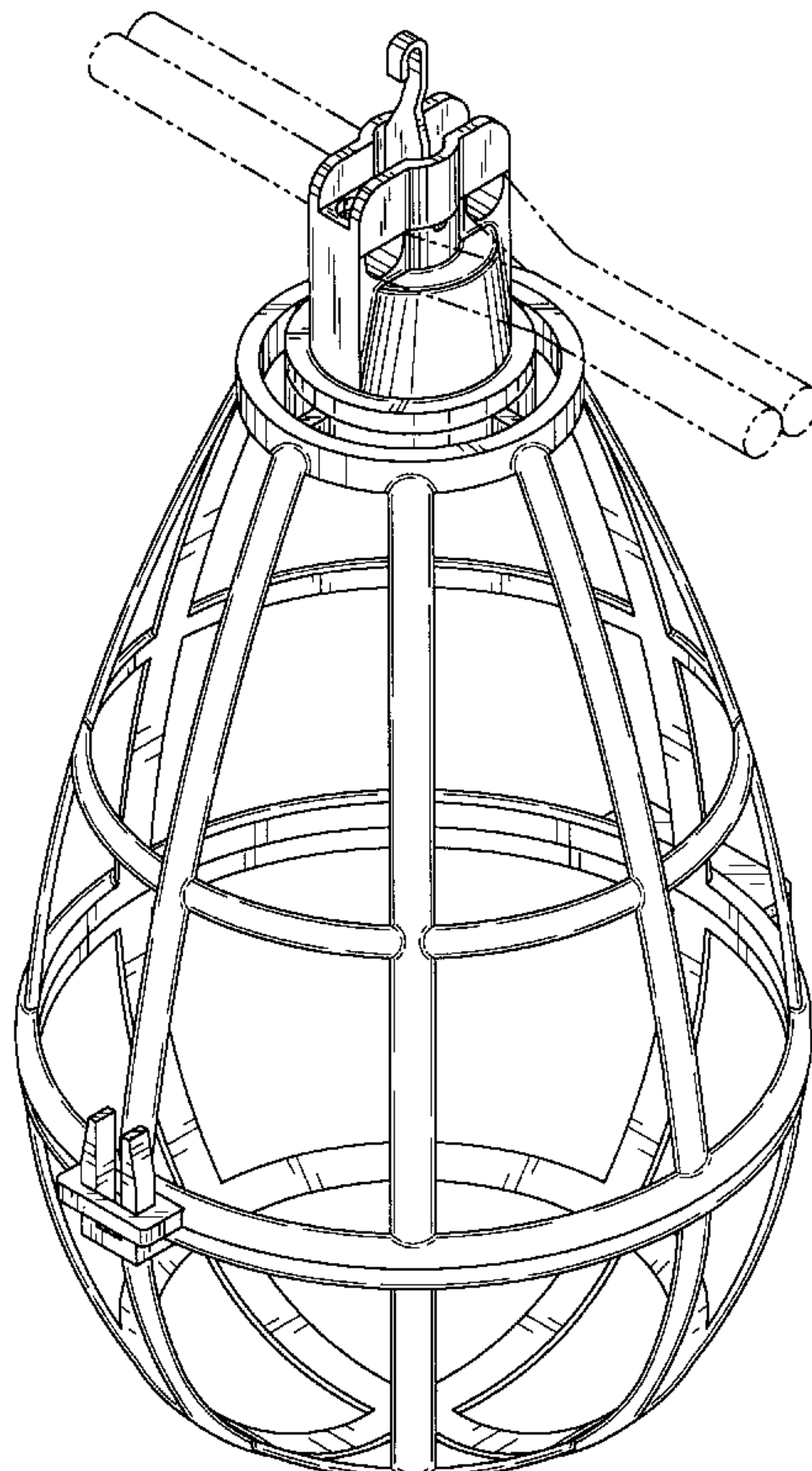
The broken lines shown are for illustrative purposes only and form no part of the claimed design.

(56) **References Cited**

U.S. PATENT DOCUMENTS

D. 375,381	*	11/1996	Carr	D26/119
445,259		1/1891	Curtis et al.	.	
2,178,907		11/1939	Hockley	240/54
2,258,032		10/1941	Popp	240/102
2,533,812		12/1950	Jones	240/102
3,826,912		7/1974	Pomroy	240/102 R
3,835,311		9/1974	Kramer	240/54 R
4,086,482		4/1978	Torgerson	362/376
4,141,062		2/1979	Trueblood	362/400
4,275,435		6/1981	Dorn	362/368
4,321,660		3/1982	Sokol	362/368
4,369,487		1/1983	Carlow	362/258

1 Claim, 6 Drawing Sheets



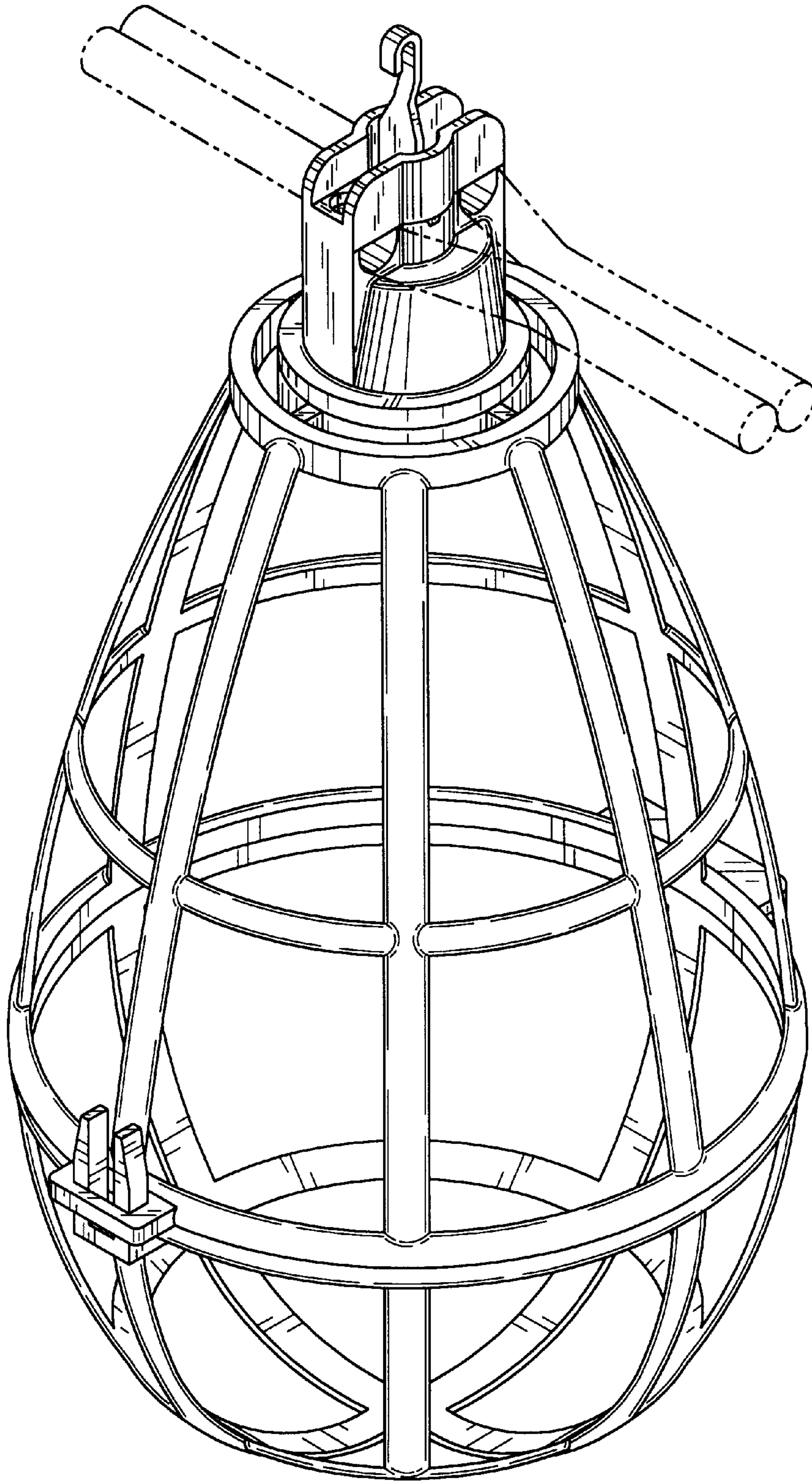


FIG. 1

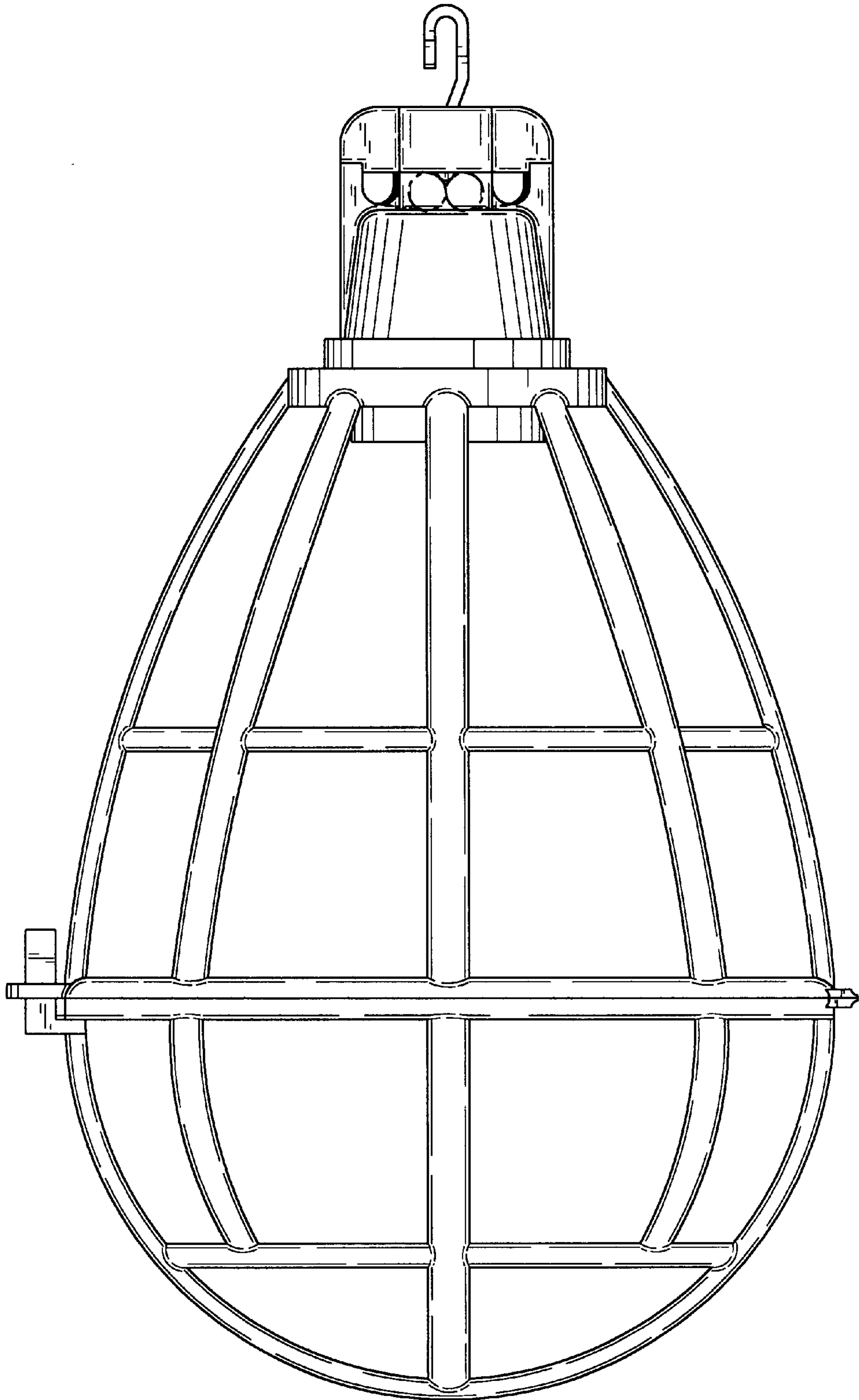


FIG. 2

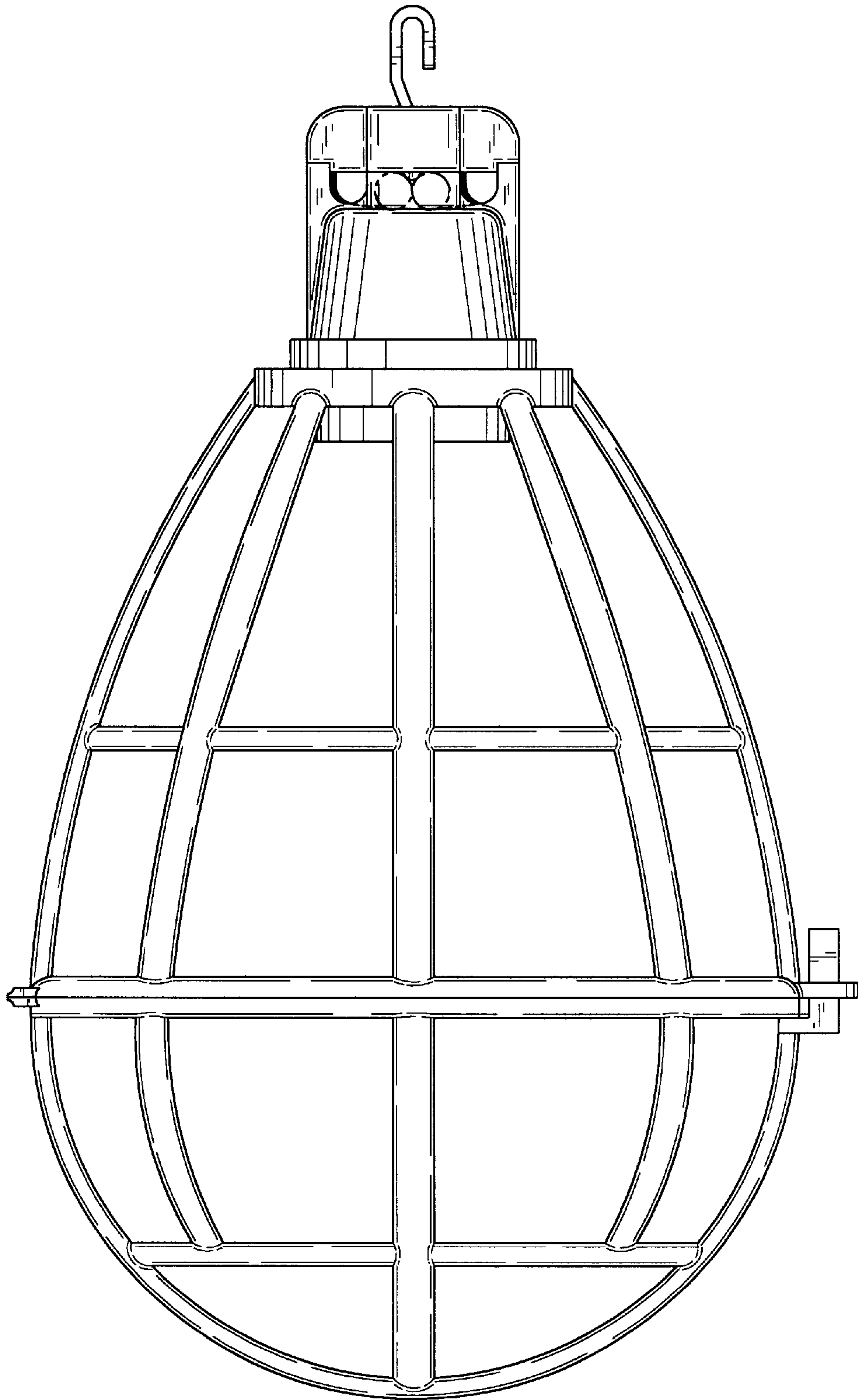


FIG. 3

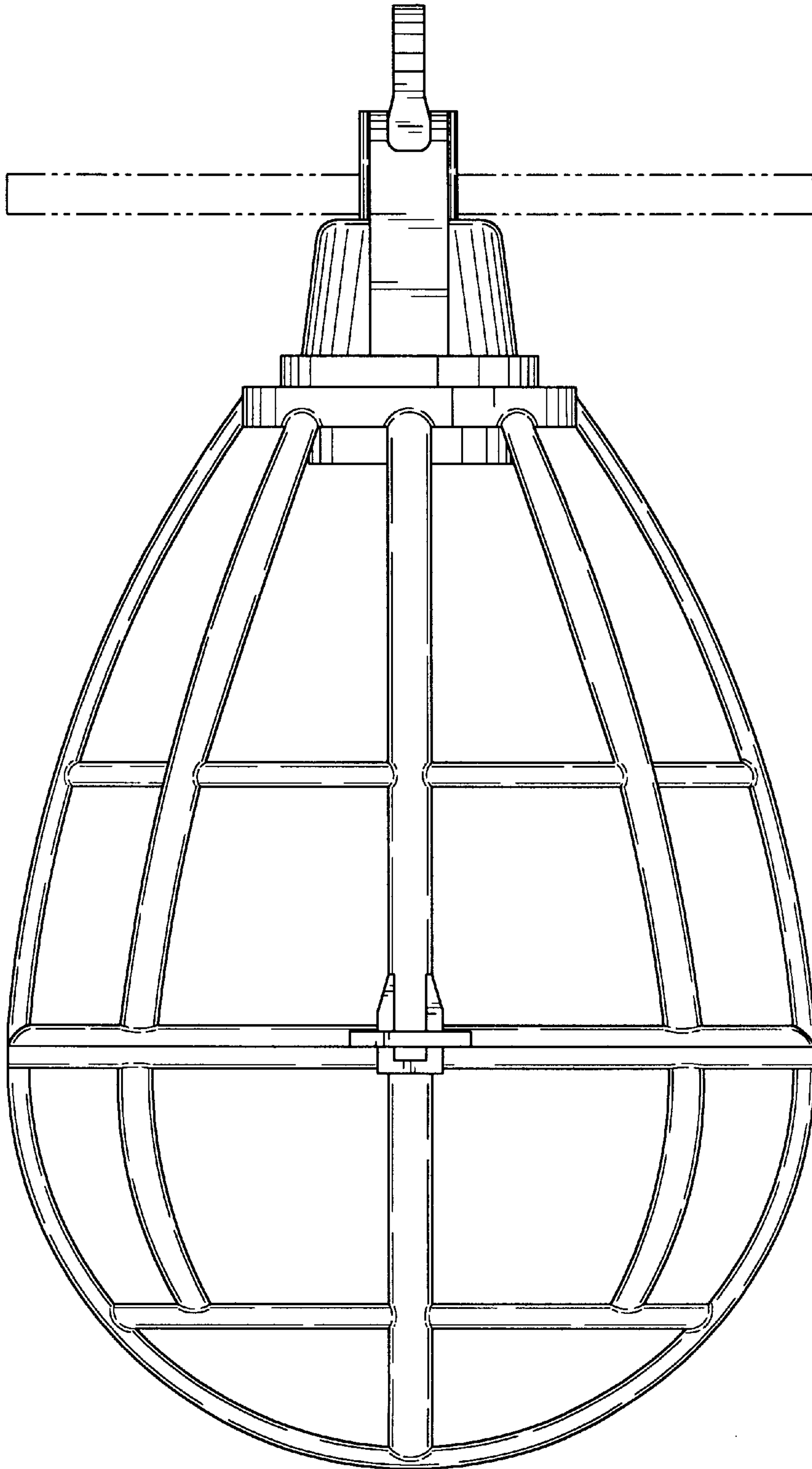


FIG. 4

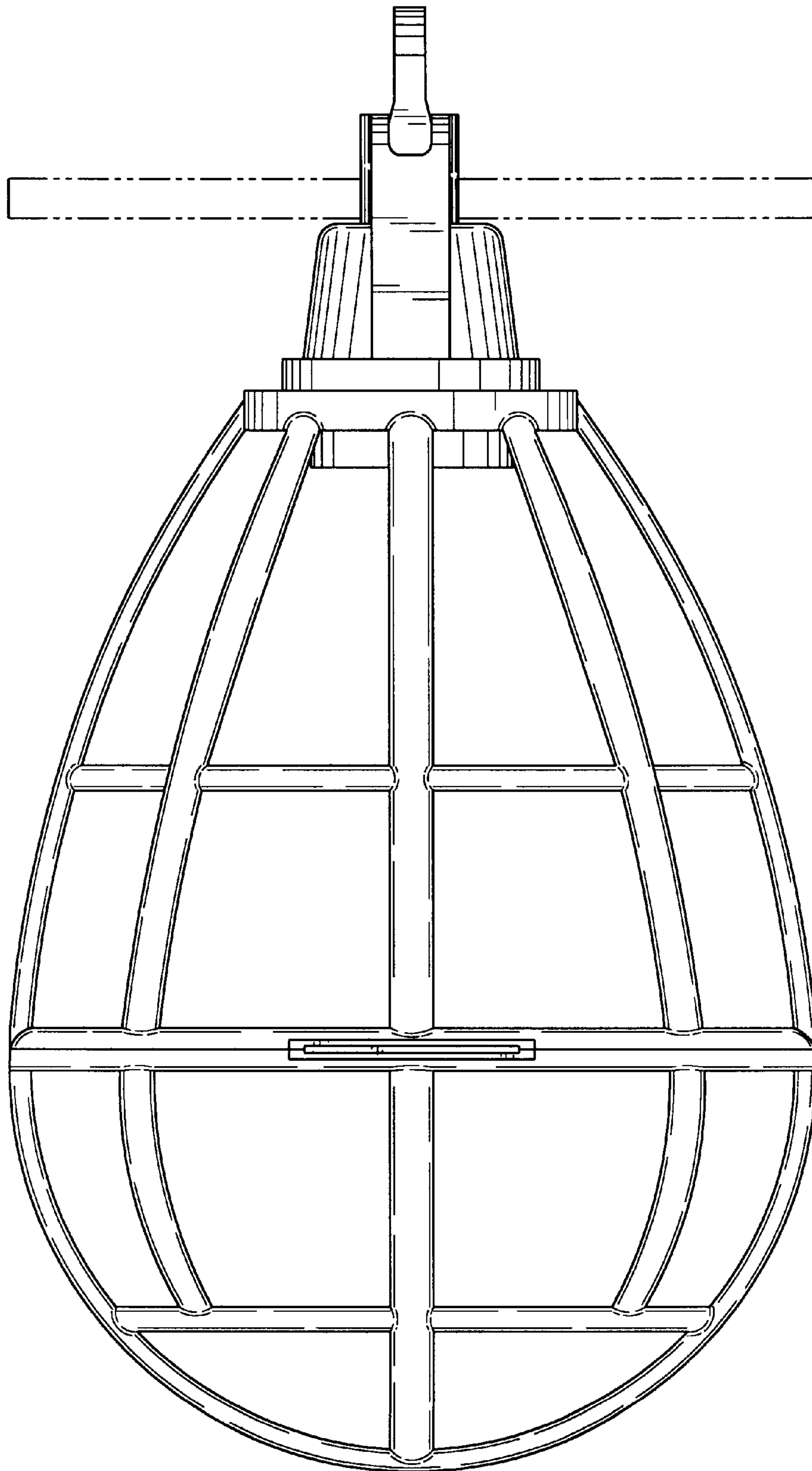


FIG. 5

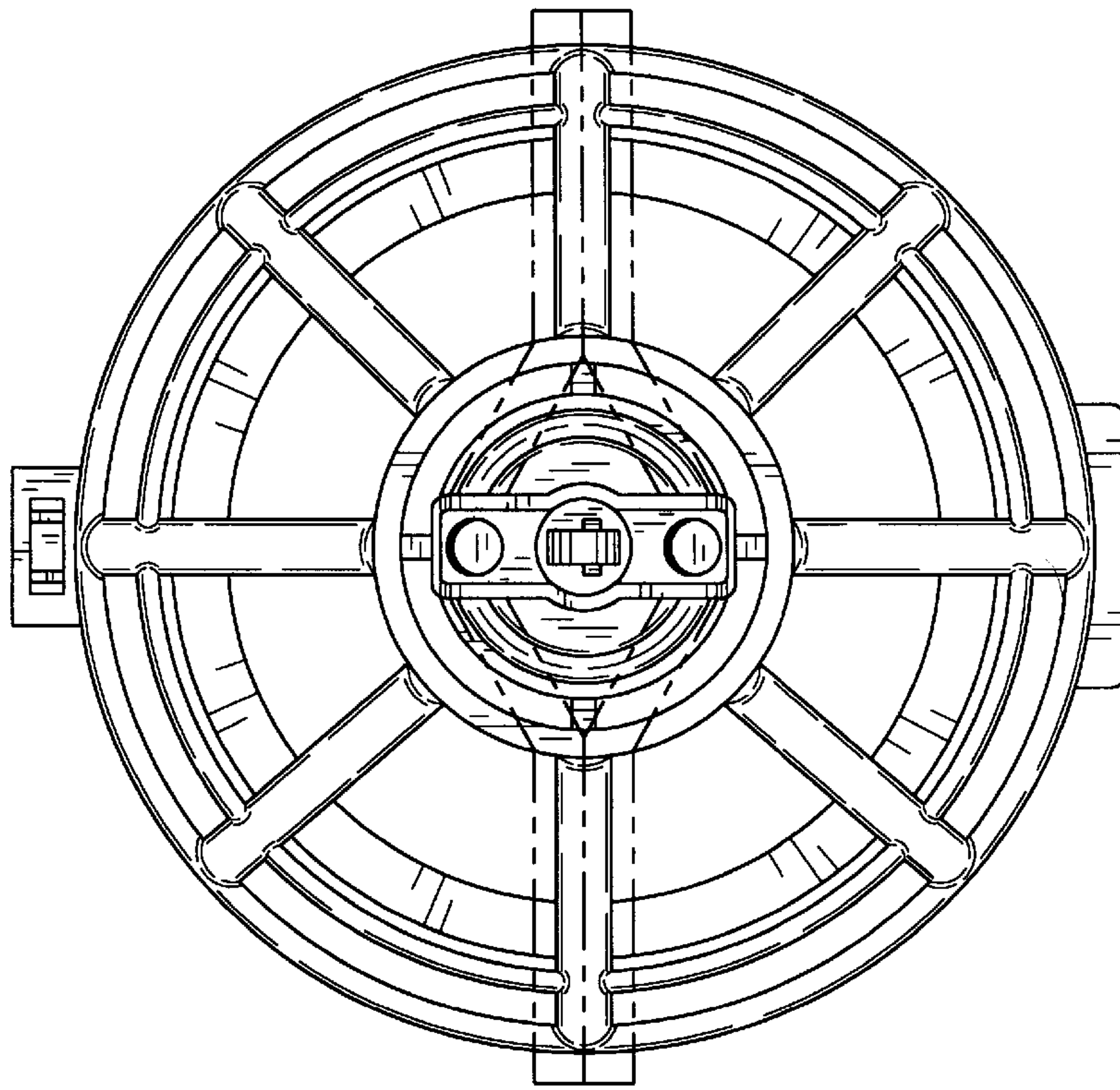


FIG. 6

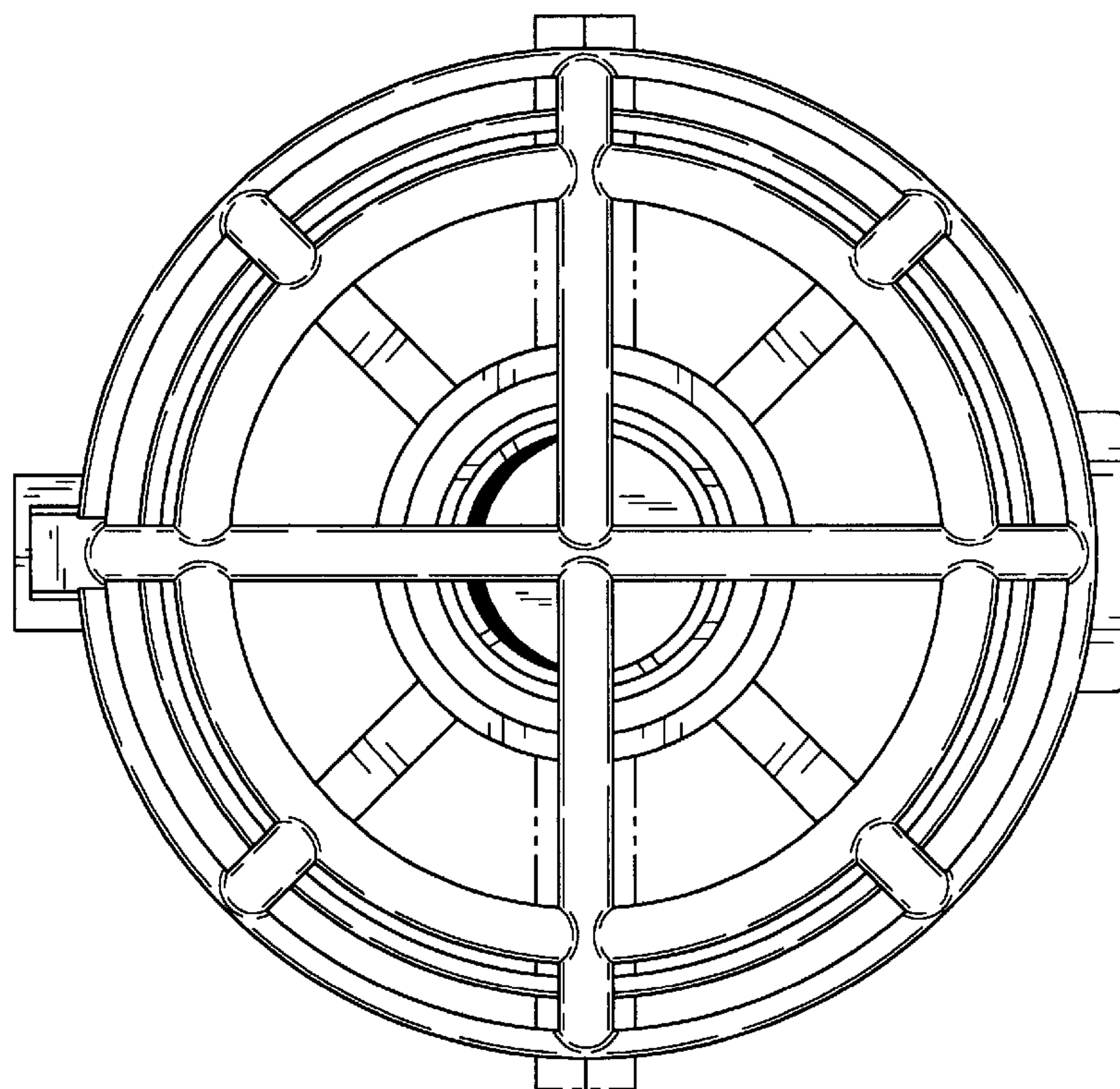


FIG. 7