



US00D439694S

(12) **United States Design Patent**
Hsu

(10) **Patent No.:** **US D439,694 S**

(45) **Date of Patent:** **** Mar. 27, 2001**

(54) **WALL LAMP**

(75) Inventor: **Peter Hsu**, Taichung (TW)

(73) Assignee: **Whole Bright Industries Limited**,
Chai Wan (HK)

(**) Term: **14 Years**

(21) Appl. No.: **29/123,616**

(22) Filed: **May 23, 2000**

(51) **LOC (7) Cl.** **26-03**

(52) **U.S. Cl.** **D26/86**

(58) **Field of Search** D26/72-92, 141-145,
D26/155; 362/404-408, 147, 432

(56) **References Cited**

U.S. PATENT DOCUMENTS

- D. 373,005 * 8/1996 Hsu D26/86
- D. 404,514 * 1/1999 Orozco D26/86

OTHER PUBLICATIONS

Home Lighting & Accessories, Kichler light fixture of p. 66,
Feb. 1997.*

Home Lighting & Accessories, Forte lamp at bottom right of
p. 67, Mar. 1998.*

* cited by examiner

Primary Examiner—Marcus A. Jackson

Assistant Examiner—Linda Brooks

(74) *Attorney, Agent, or Firm*—Rosenberg, Klein & Lee

(57) **CLAIM**

The ornamental design for a wall lamp, as shown and
described.

DESCRIPTION

FIG. 1 is a perspective view of a wall lamp showing my new
design;

FIG. 2 is a front elevation view thereof;

FIG. 3 is a rear elevation view thereof;

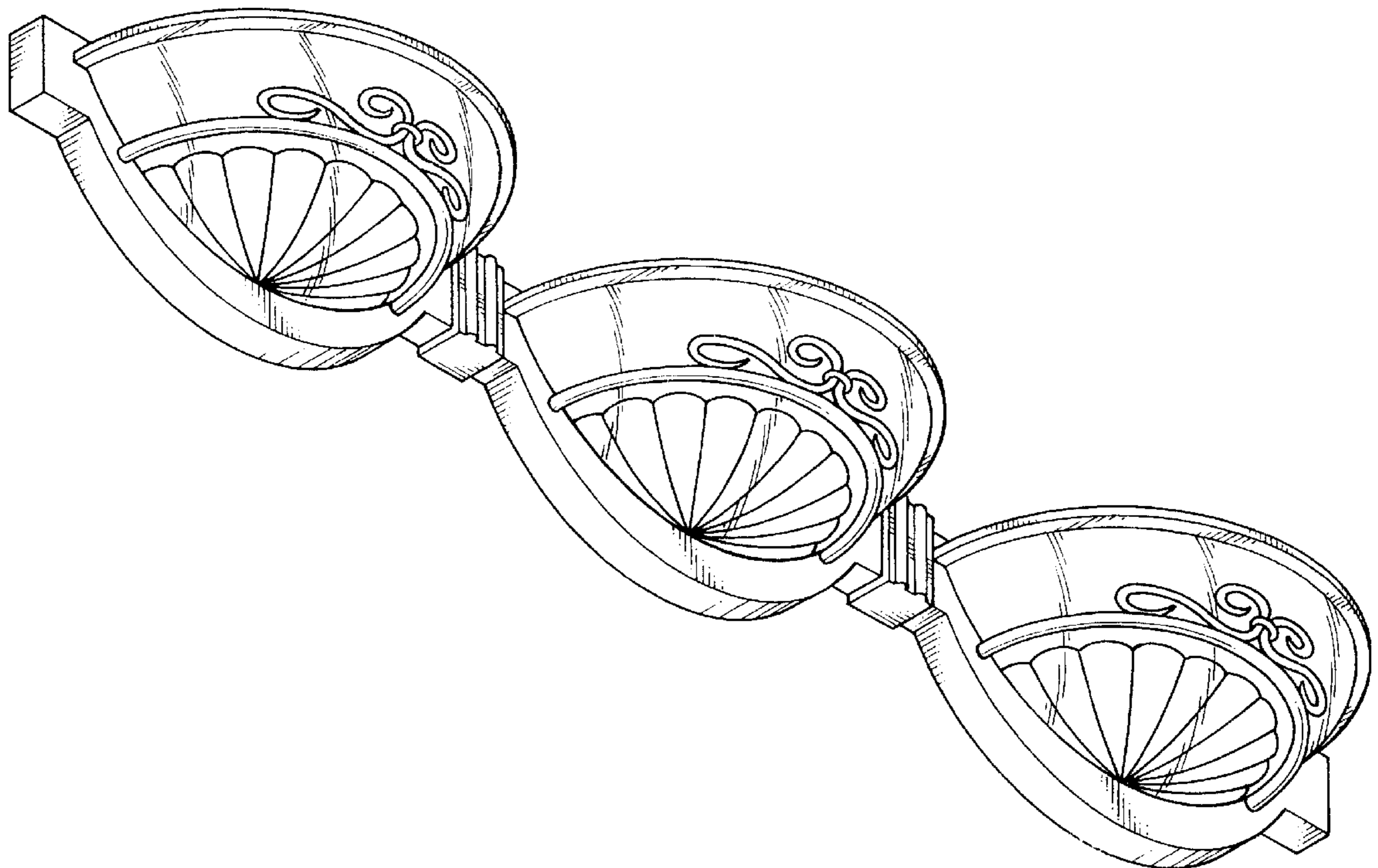
FIG. 4 is a left side elevation view thereof;

FIG. 5 is a right side elevation view thereof;

FIG. 6 is a top plan view thereof; and,

FIG. 7 is a bottom plan view thereof.

1 Claim, 4 Drawing Sheets



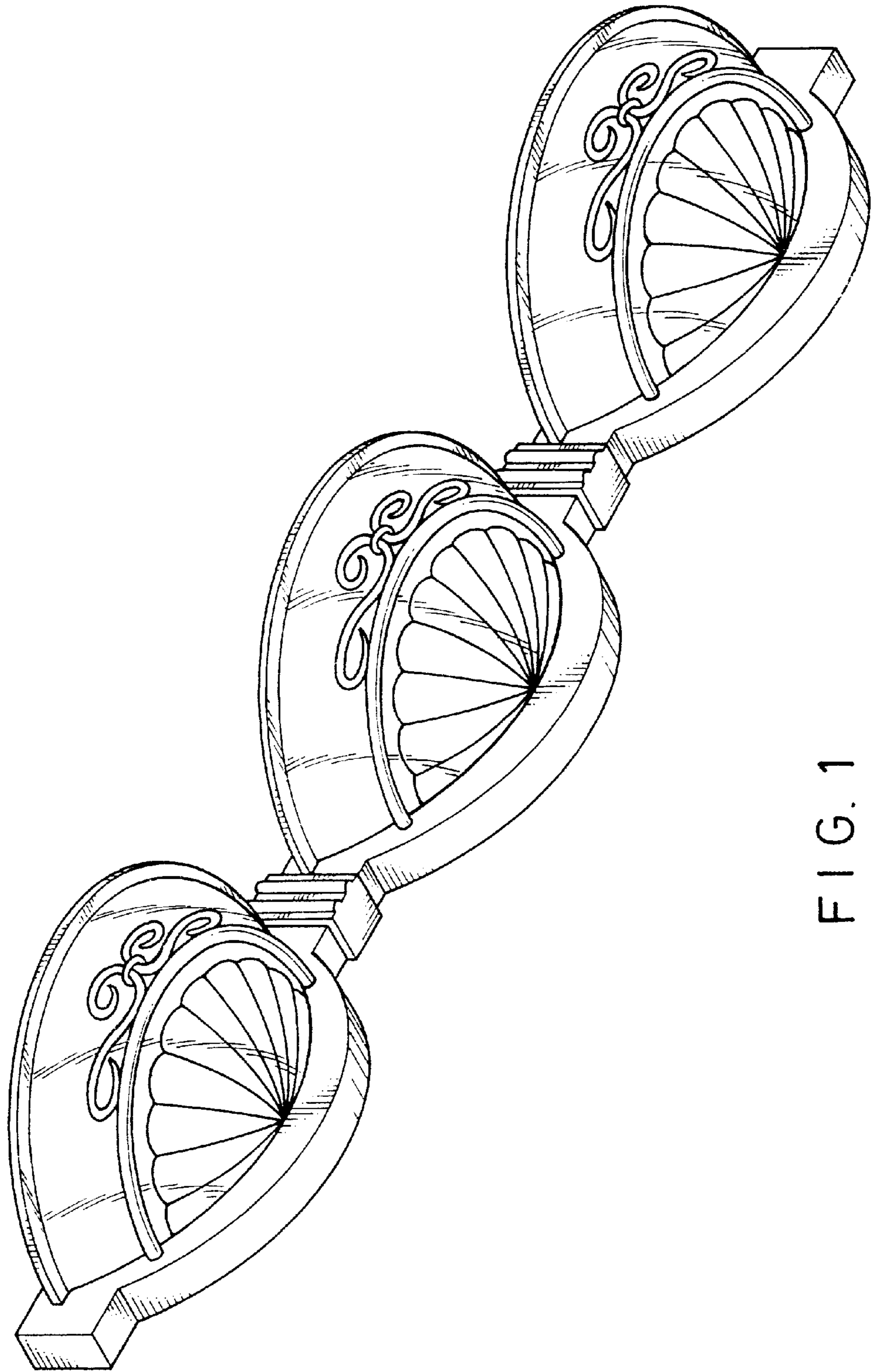


FIG. 1

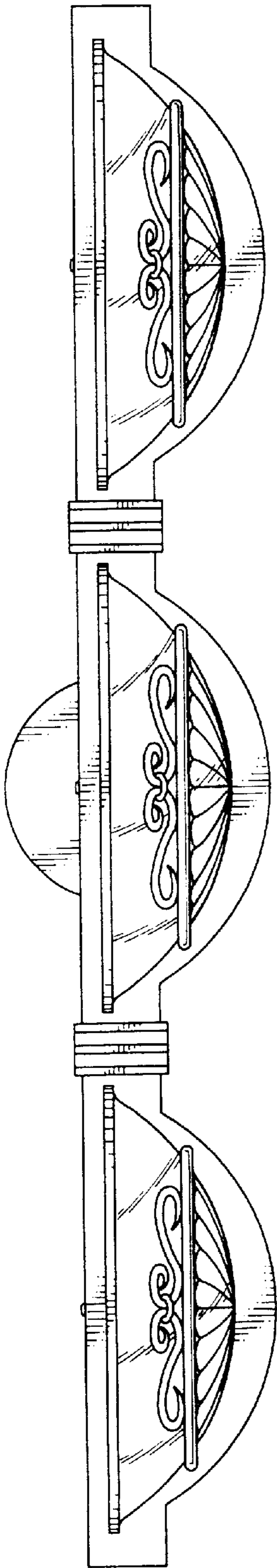


FIG. 2

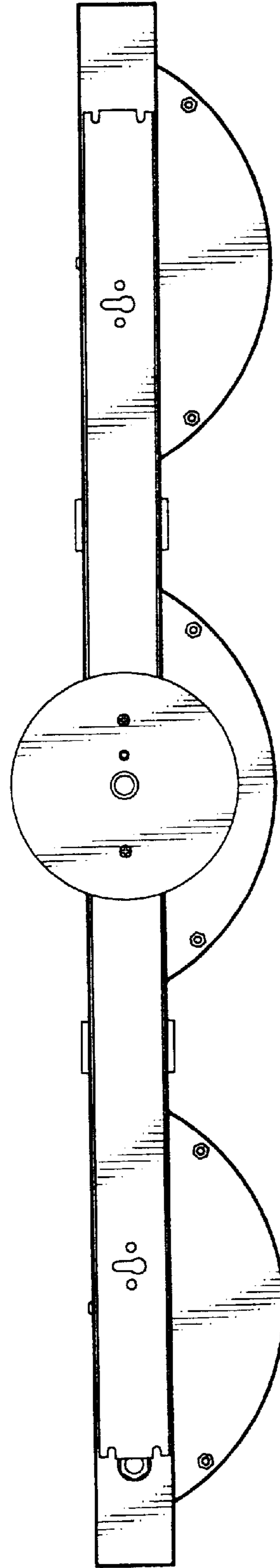


FIG. 3

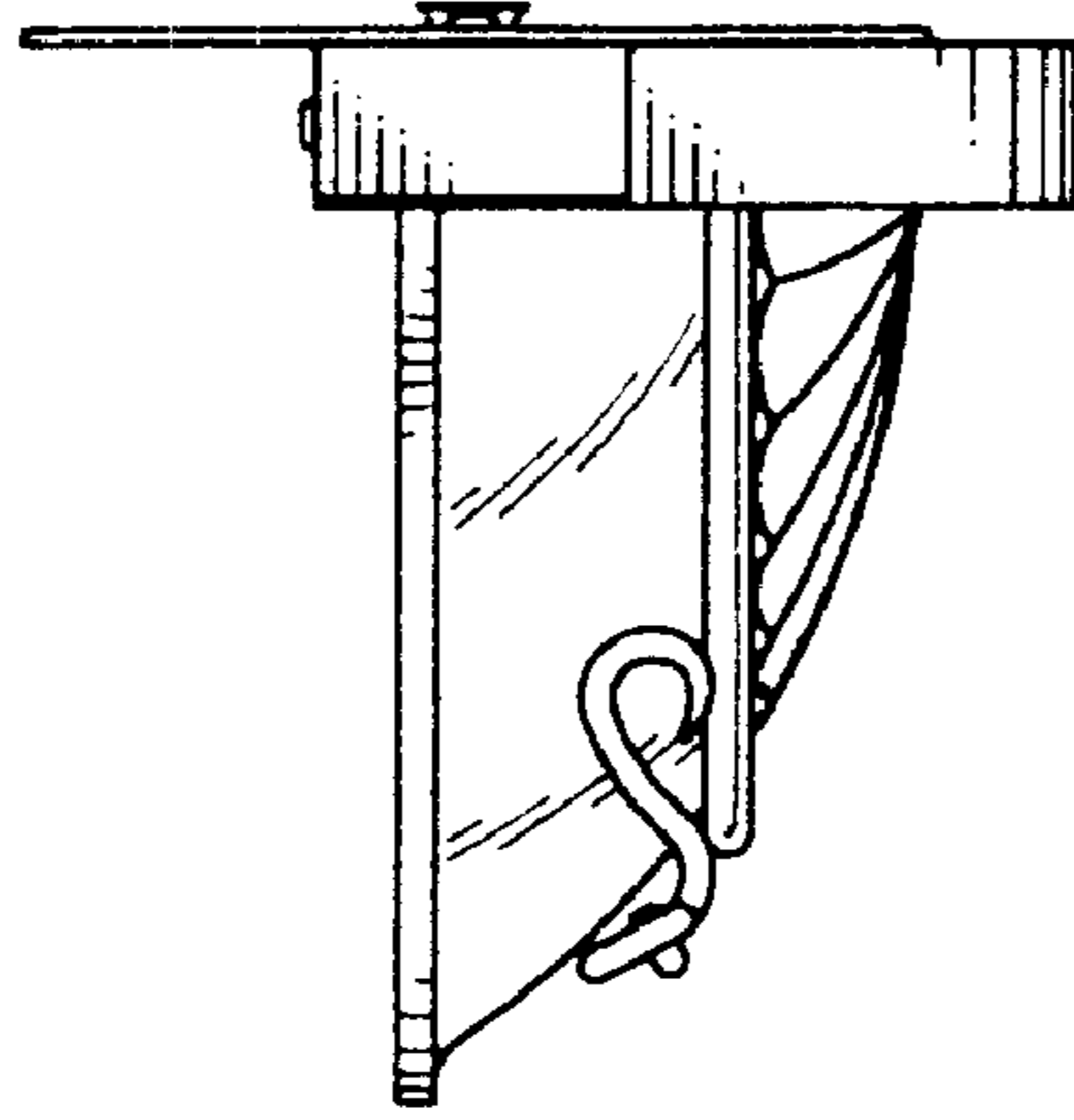


FIG. 5

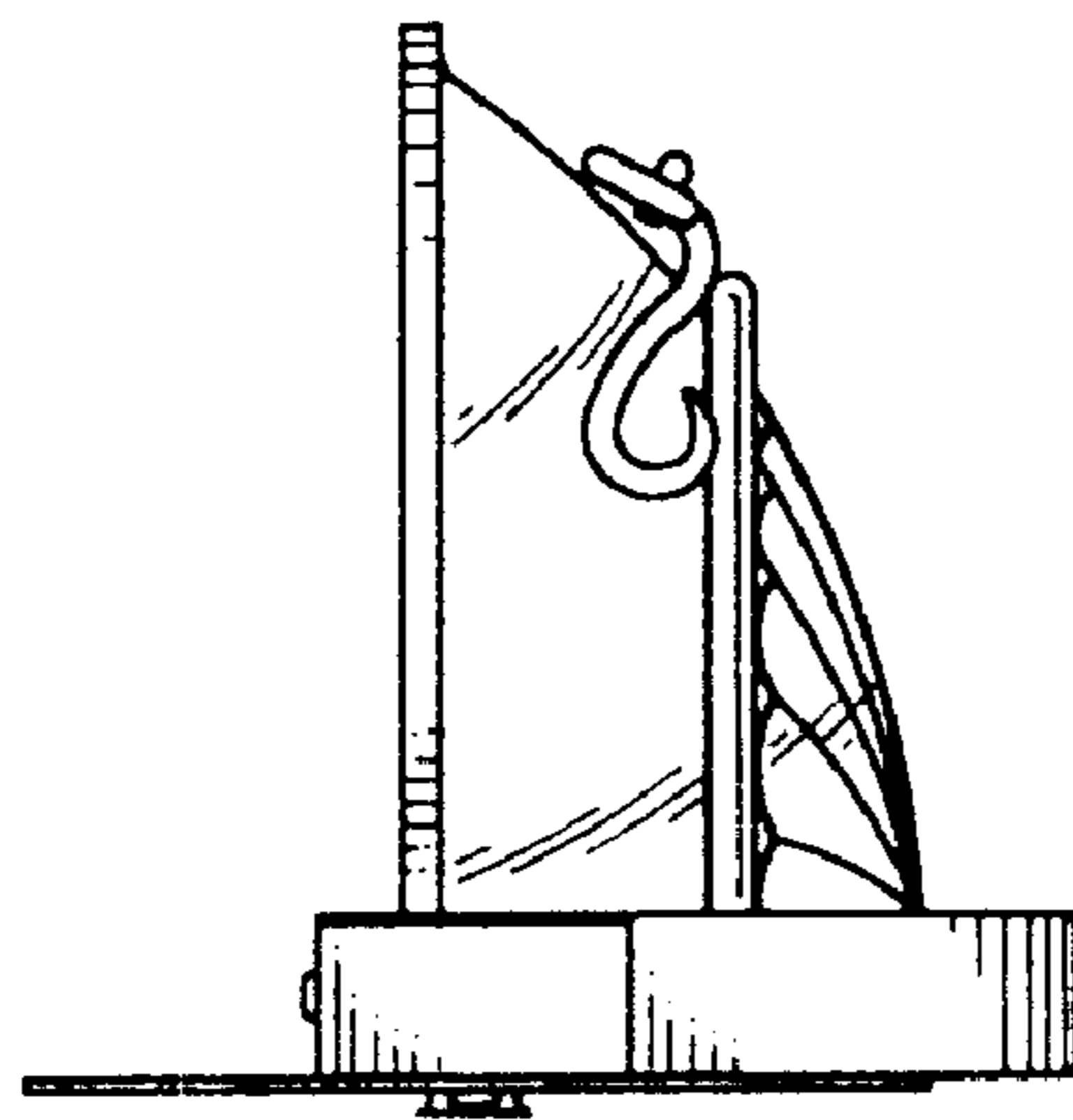


FIG. 4

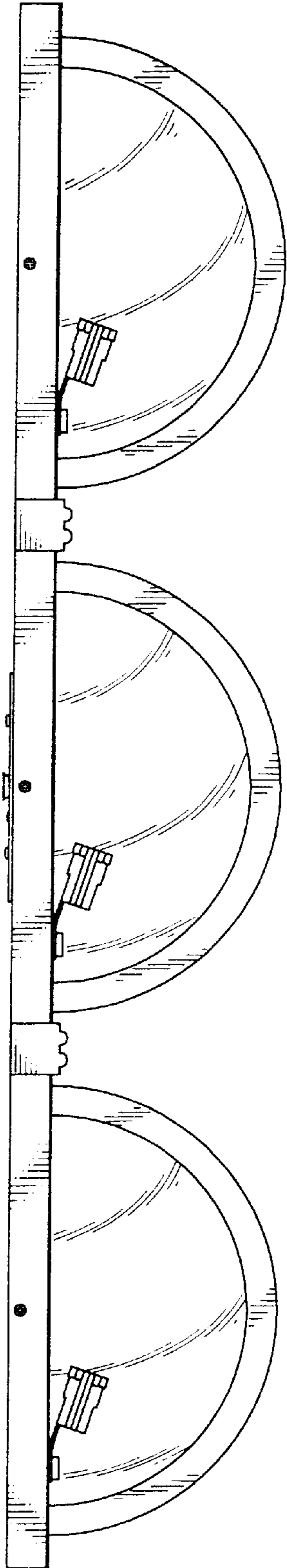


FIG. 6

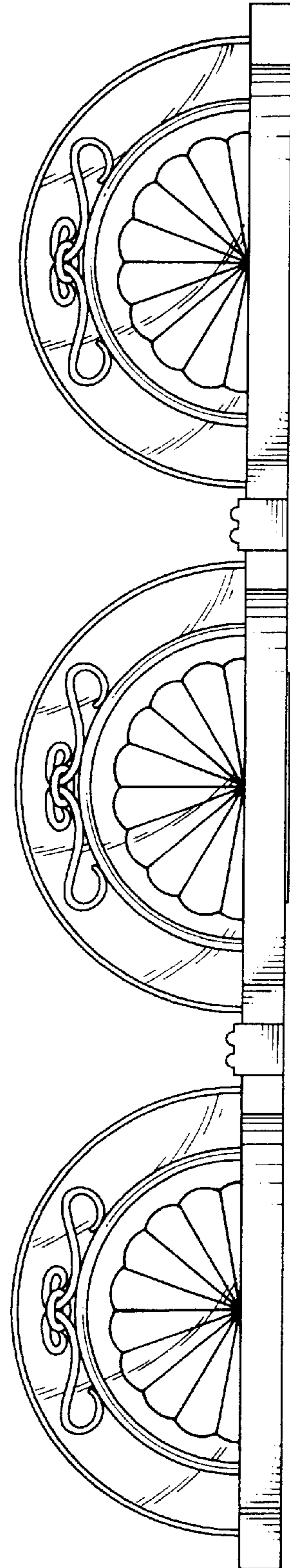


FIG. 7