



US00D439689S

(12) **United States Design Patent**
Yuen

(10) **Patent No.:** **US D439,689 S**

(45) **Date of Patent:** **** Mar. 27, 2001**

(54) **FLUORESCENT WORKING LIGHT**

(57) **CLAIM**

(75) **Inventor:** **Se Kit Yuen, Kowloon (HK)**

The ornamental design of a fluorescent working light, as shown and described.

(73) **Assignee:** **John Manufacturing Limited, Kowloon (HK)**

DESCRIPTION

(**) **Term:** **14 Years**

FIG. 1 is a front elevational view of a fluorescent working light according to my design, with the broken line showing for illustrative purposes only and forming no part of the claimed design;

(21) **Appl. No.:** **29/129,633**

FIG. 2 is a rear elevational view of the fluorescent working light of FIG. 1;

(22) **Filed:** **Sep. 20, 2000**

FIG. 3 is a right side elevational view of the fluorescent working light of FIG. 1;

(51) **LOC (7) Cl.** **26-02**

(52) **U.S. Cl.** **D26/42**

FIG. 4 is a left side elevational view of the fluorescent working light of FIG. 1;

(58) **Field of Search** D26/37-50; 362/157, 362/158, 171, 183-208

FIG. 5 is a top plan view of the fluorescent working light of FIG. 1;

FIG. 6 is a bottom plan view of the fluorescent working light of FIG. 1;

(56) **References Cited**

U.S. PATENT DOCUMENTS

D. 363,563	*	10/1995	Yuen	D26/42
D. 368,784	*	4/1996	Yuen	D26/42
D. 375,374	*	11/1996	Yuen	D26/42
D. 378,142	*	2/1997	Lam	D26/42
D. 424,222	*	5/2000	Leung	D26/42

FIG. 7 is a front elevational view of the fluorescent working light of FIG. 1 with the two hook-shaped elements and two curved elements extended to from a base.

FIG. 8 is a right side elevational view of the fluorescent working light of FIG. 7.

* cited by examiner

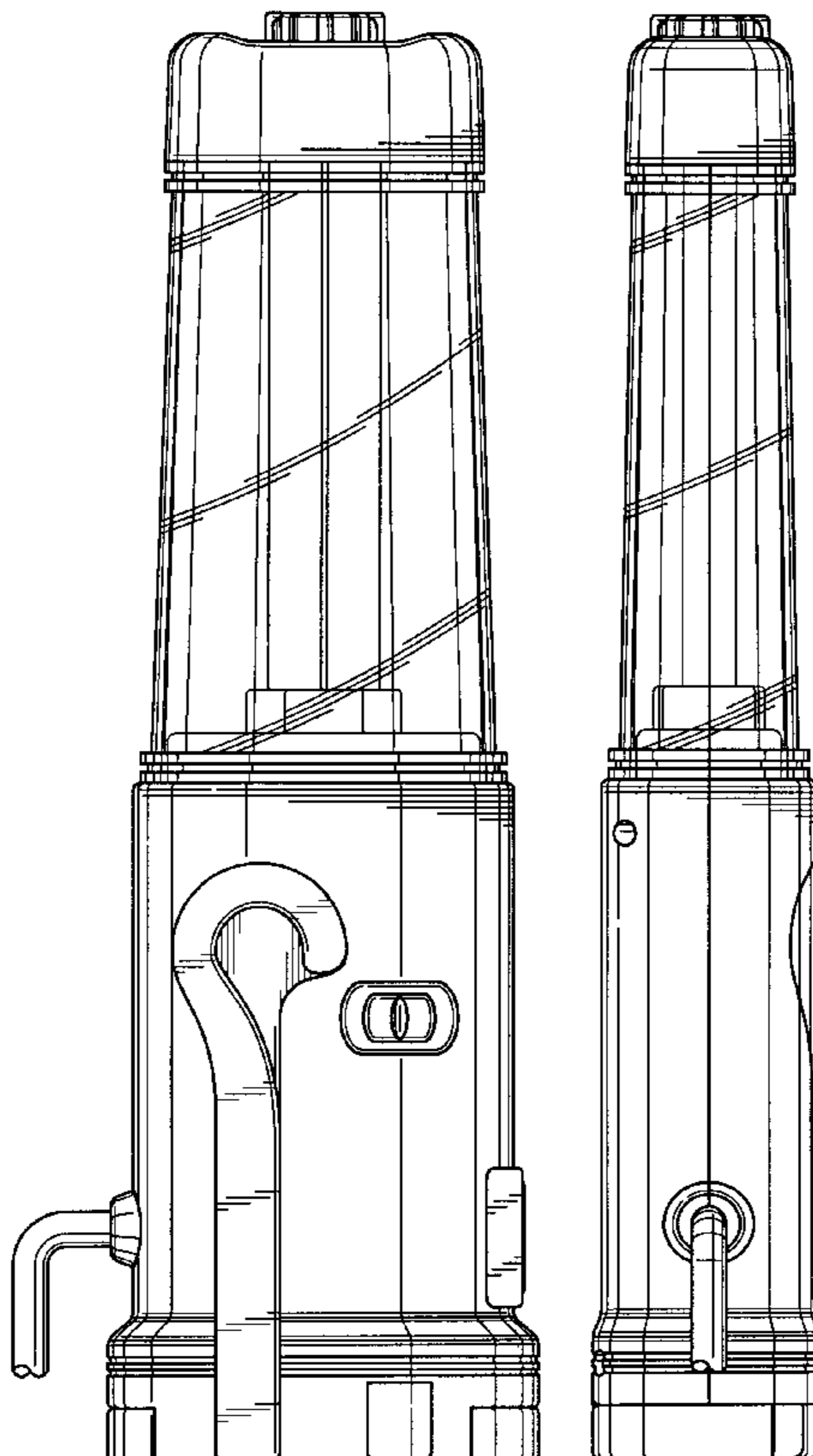
FIG. 9 is a top plan view of the fluorescent working light of FIG. 7; and,

FIG. 10 is a bottom plan view of the fluorescent working light of FIG. 7.

Primary Examiner—Marcus A. Jackson

(74) *Attorney, Agent, or Firm*—Dickinson Wright PLLC

1 Claim, 6 Drawing Sheets



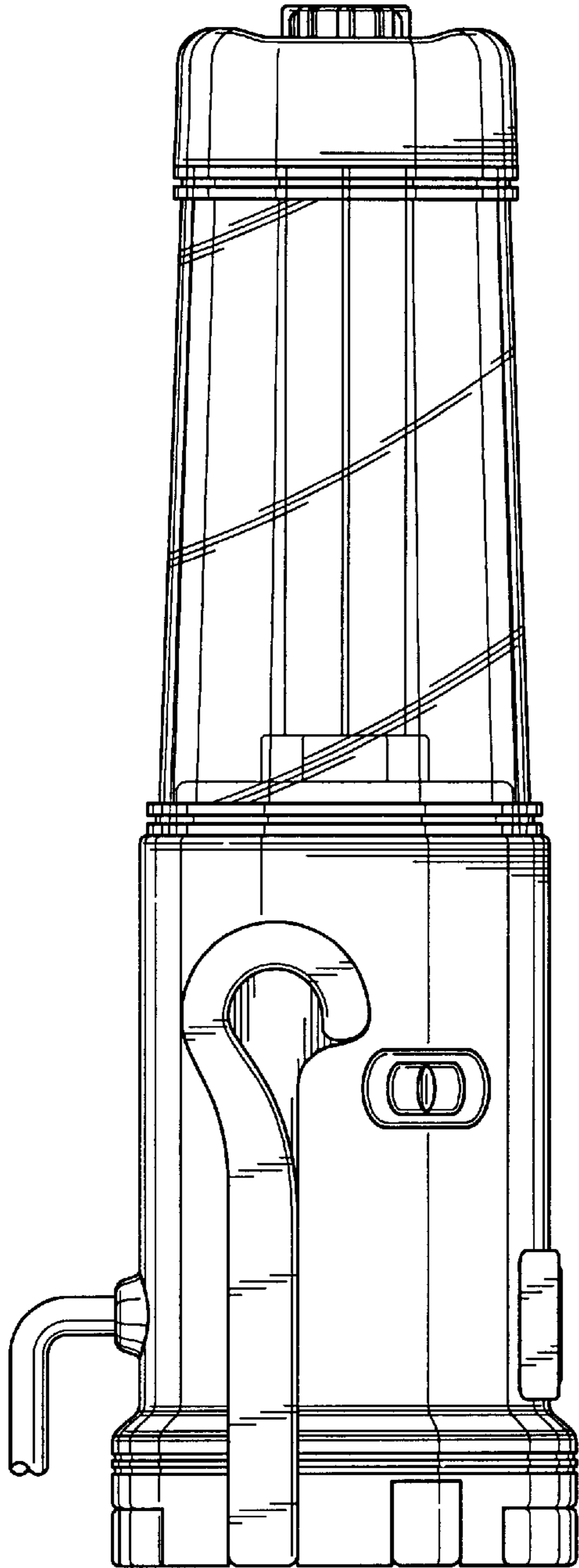


FIG. 1

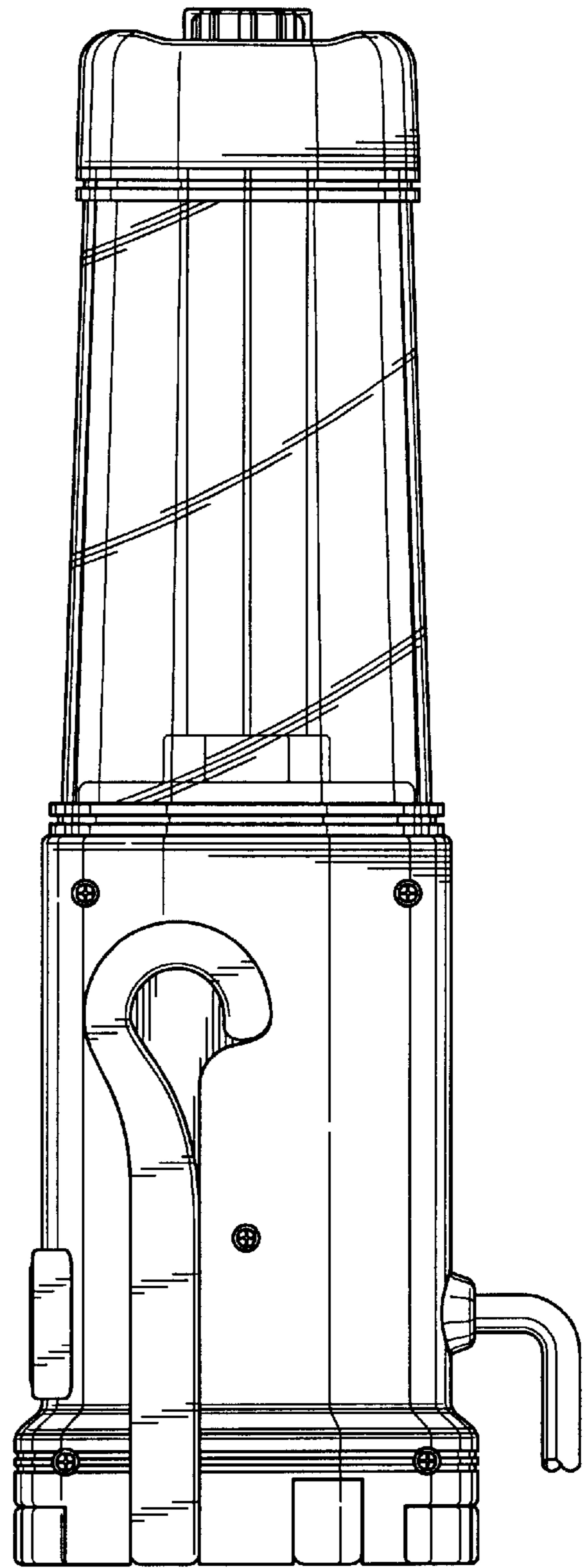


FIG. 2

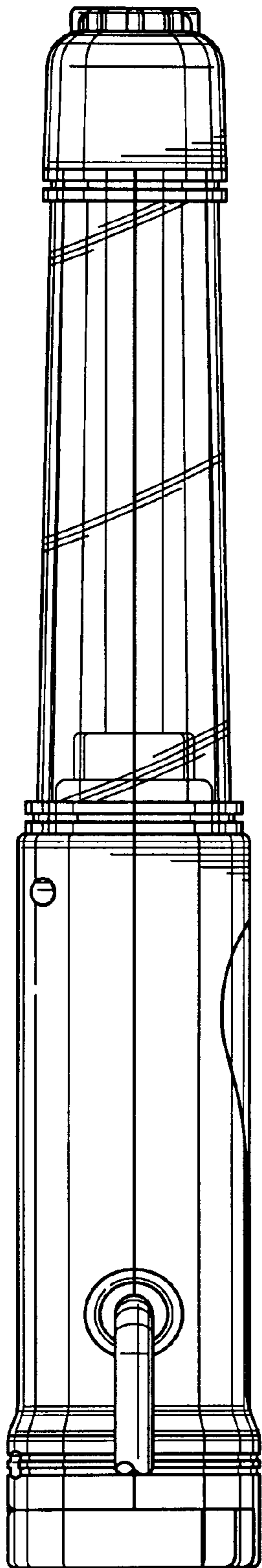


FIG. 3

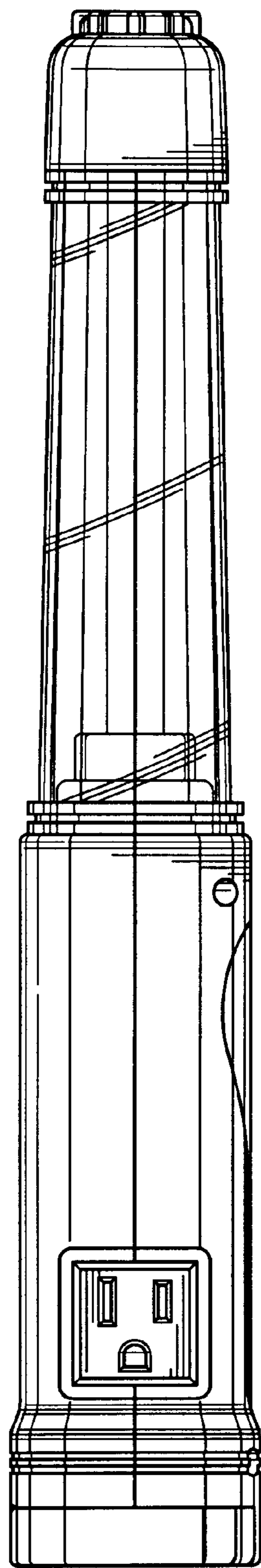


FIG. 4

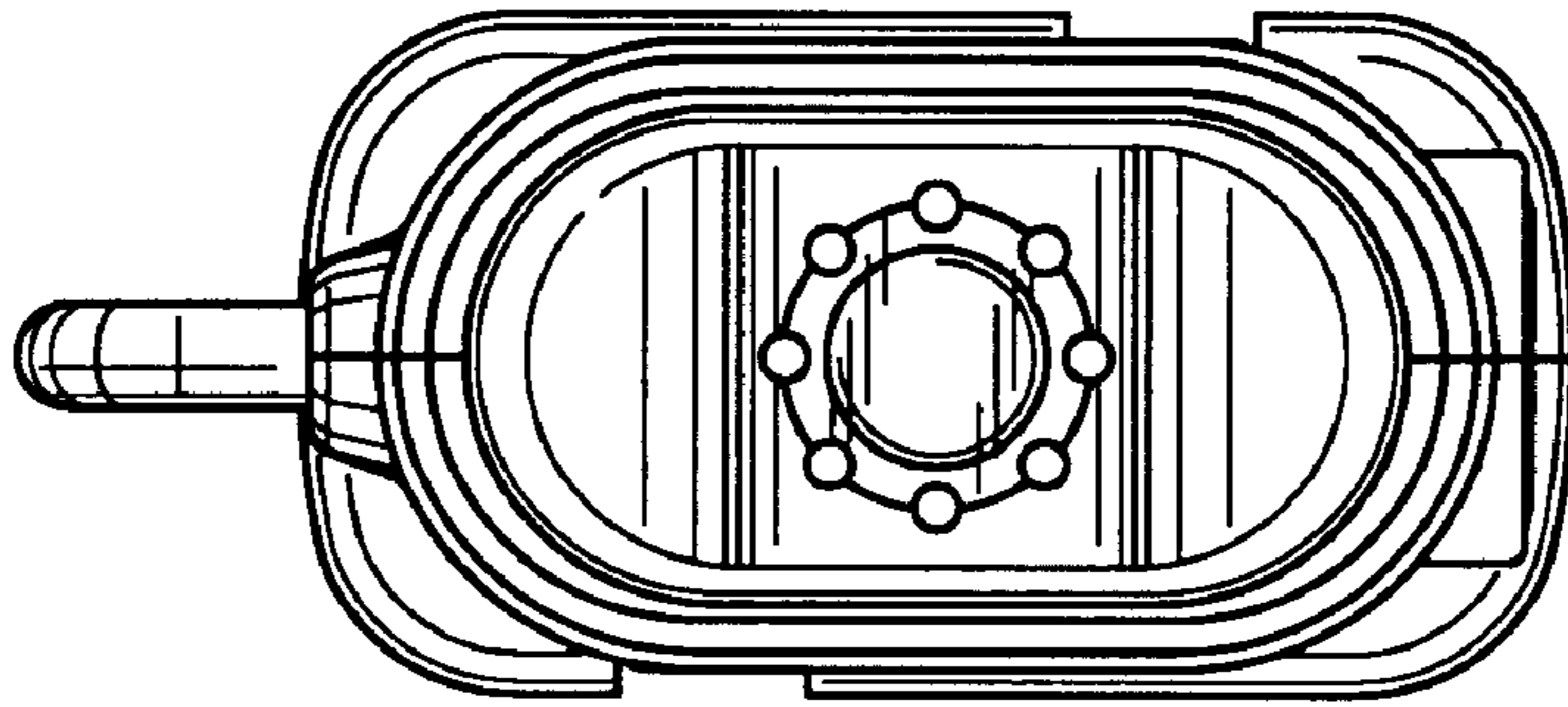


FIG. 5

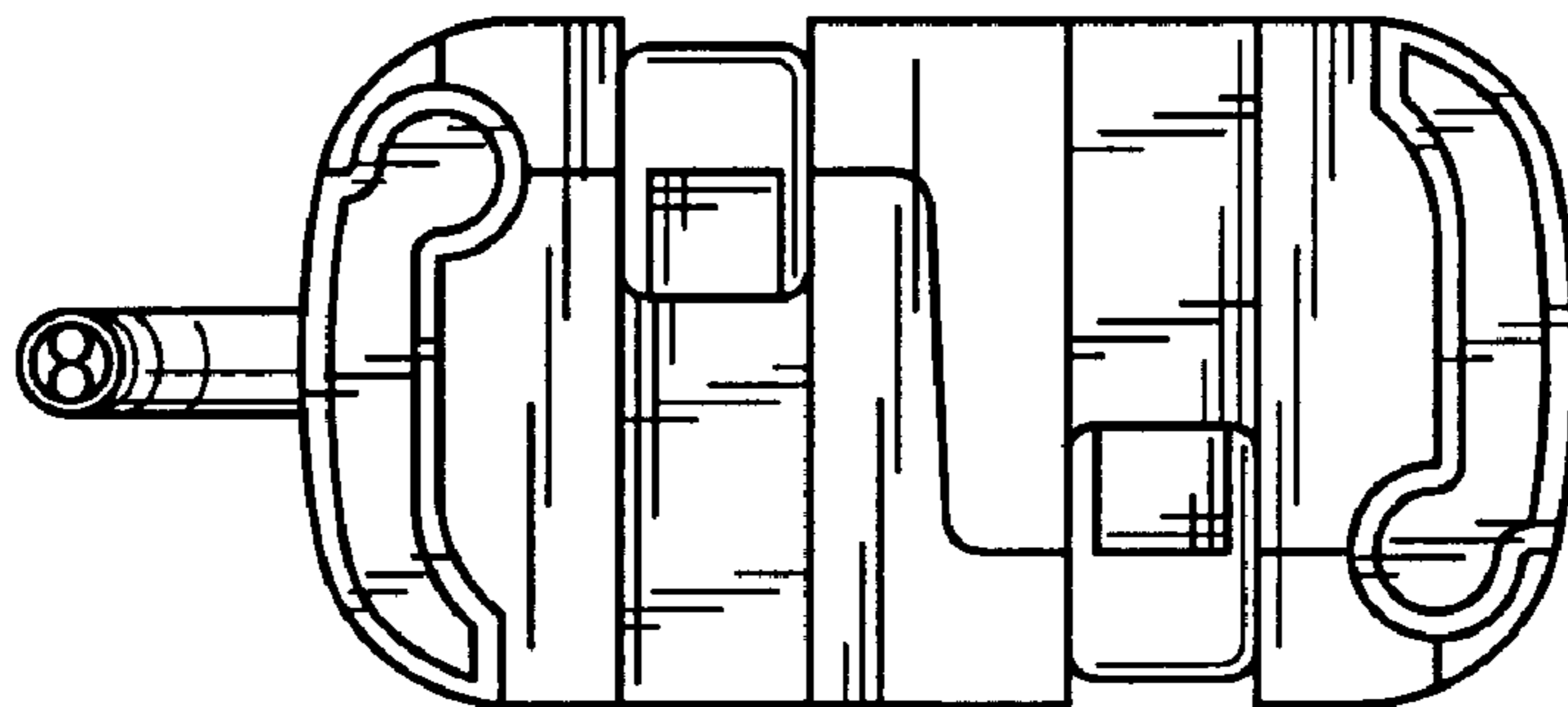


FIG. 6

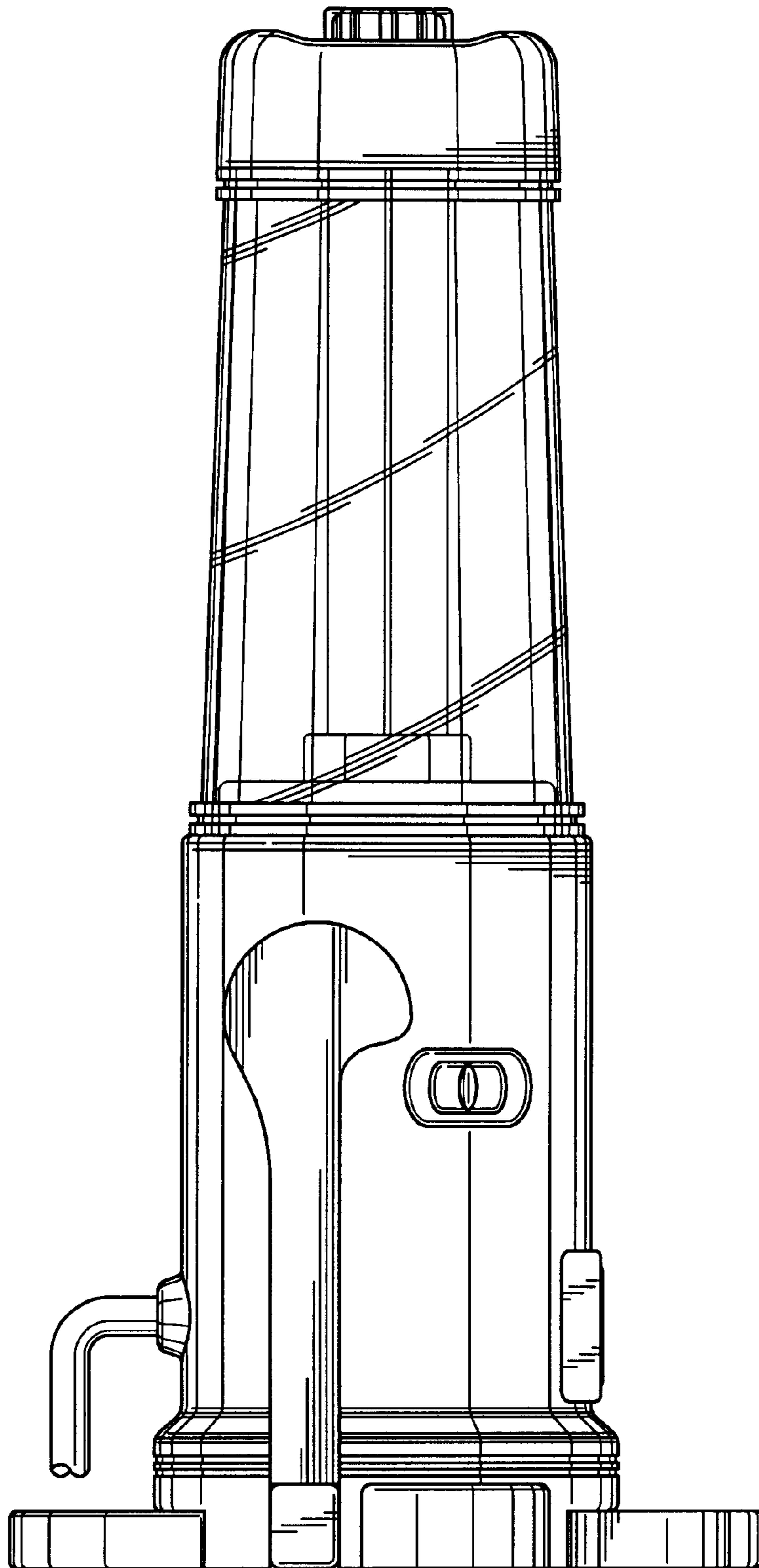


FIG. 7

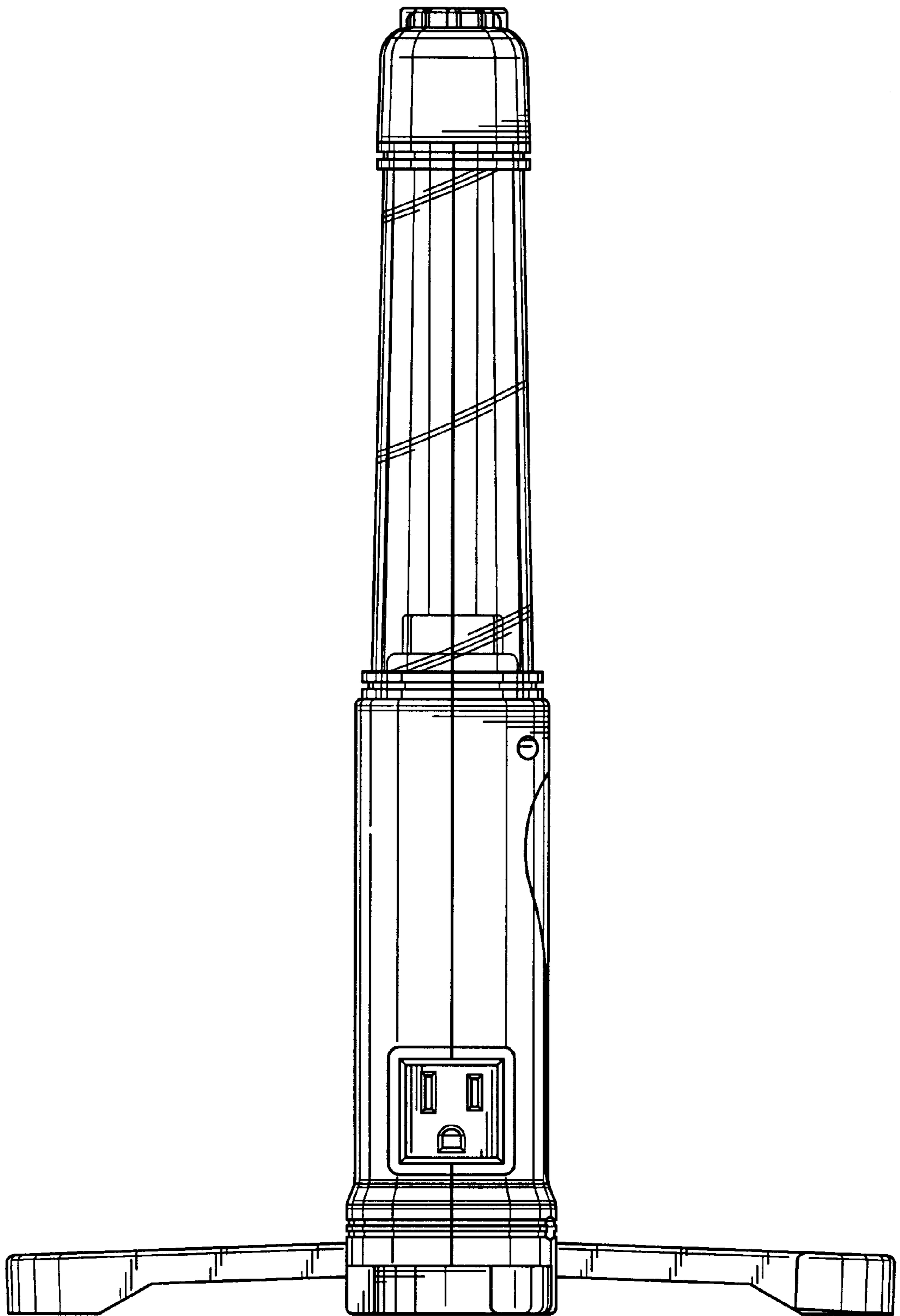


FIG. 8

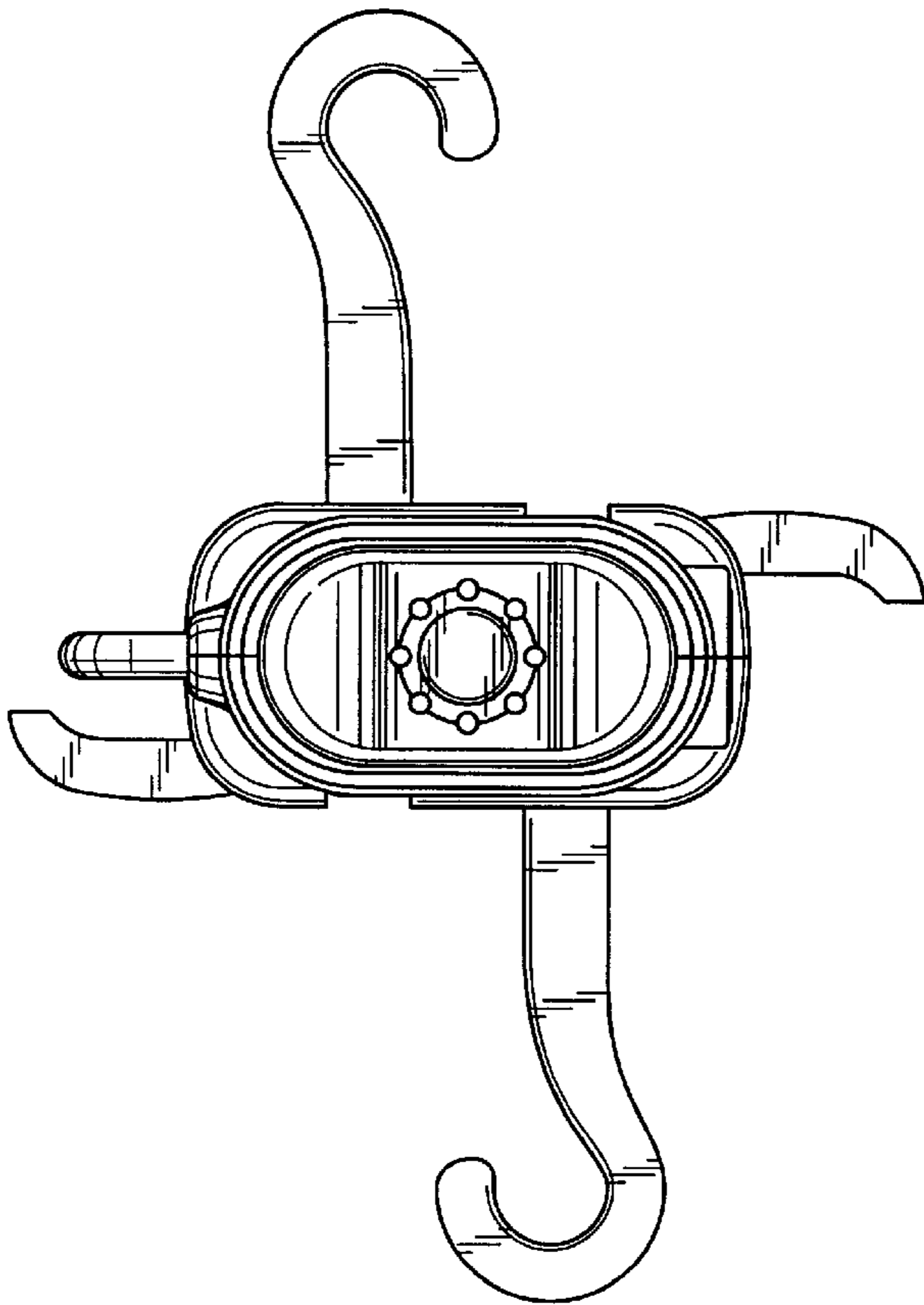


FIG. 9

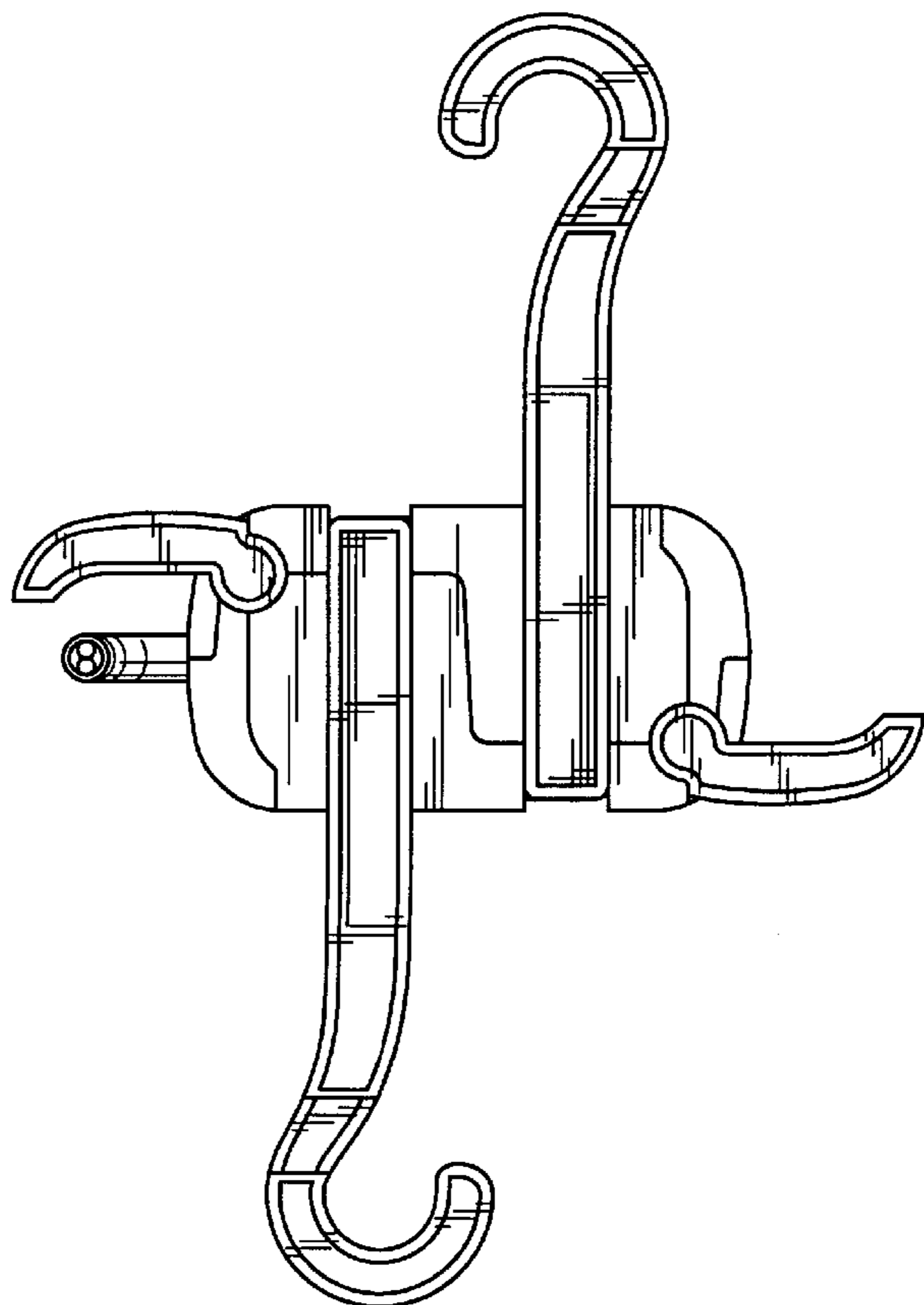


FIG. 10