



US00D439688S

(12) **United States Design Patent**  
**Suzuki**

(10) **Patent No.:** **US D439,688 S**

(45) **Date of Patent:** **\*\* Mar. 27, 2001**

(54) **MINI TOOLS TORCH**

(75) Inventor: **Hitoshi Suzuki**, Tokyo (JP)

(73) Assignee: **Hikomori Inc.**, Tokyo (JP)

(\*\*) Term: **14 Years**

(21) Appl. No.: **29/122,072**

(22) Filed: **Apr. 19, 2000**

(30) **Foreign Application Priority Data**

Oct. 19, 1999 (HK) ..... 9911391

(51) **LOC (7) Cl.** ..... **26-02**

(52) **U.S. Cl.** ..... **D26/37**

(58) **Field of Search** ..... D26/37-50; 362/157,  
362/158, 183-208

(56) **References Cited**

**U.S. PATENT DOCUMENTS**

- D. 361,633 \* 8/1995 Chabria ..... D26/37
- D. 374,492 \* 10/1996 Coe ..... D26/37
- D. 390,678 \* 2/1998 Matthes ..... D26/37
- D. 405,551 \* 2/1999 Lynch et al. .... D26/37

- D. 422,103 \* 3/2000 Chen ..... D26/37
- D. 425,228 \* 5/2000 Kibler ..... D26/37

\* cited by examiner

*Primary Examiner*—Marcus A. Jackson

(74) *Attorney, Agent, or Firm*—Salter & Michaelson

(57) **CLAIM**

The ornamental design for a mini tools torch, as shown and described.

**DESCRIPTION**

FIG. 1 is a perspective view of a mini tools torch showing my new design;

FIG. 2 is a top plan view thereof;

FIG. 3 is a bottom plan view thereof;

FIG. 4 is a right side elevational view thereof;

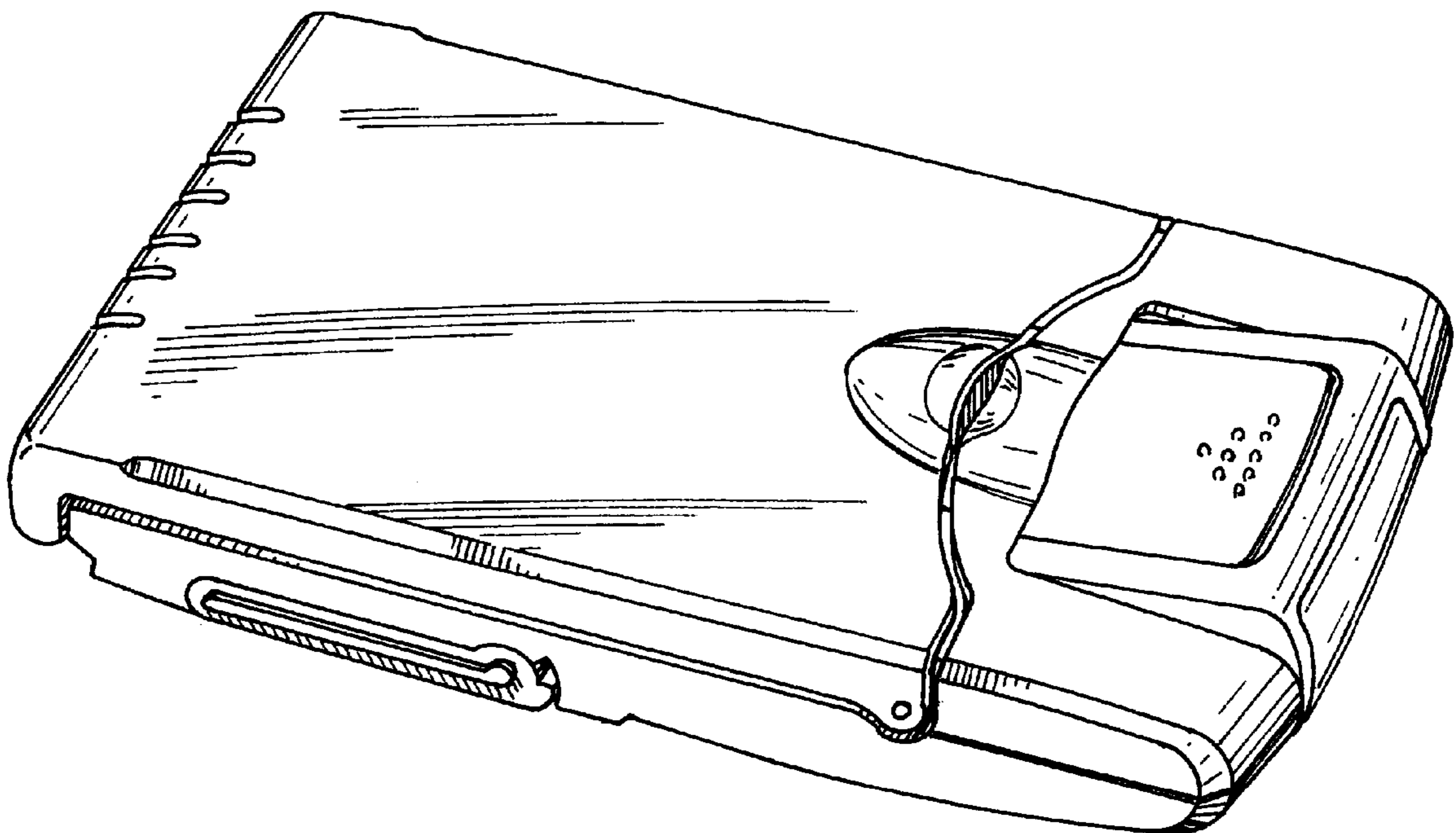
FIG. 5 is a left side elevational view thereof;

FIG. 6 is a front elevational view thereof; and,

FIG. 7 is a rear elevational view thereof.

The portions shown in broken lines in FIG. 3 are included for illustrative purposes only and form no part of the claimed design.

**1 Claim, 3 Drawing Sheets**



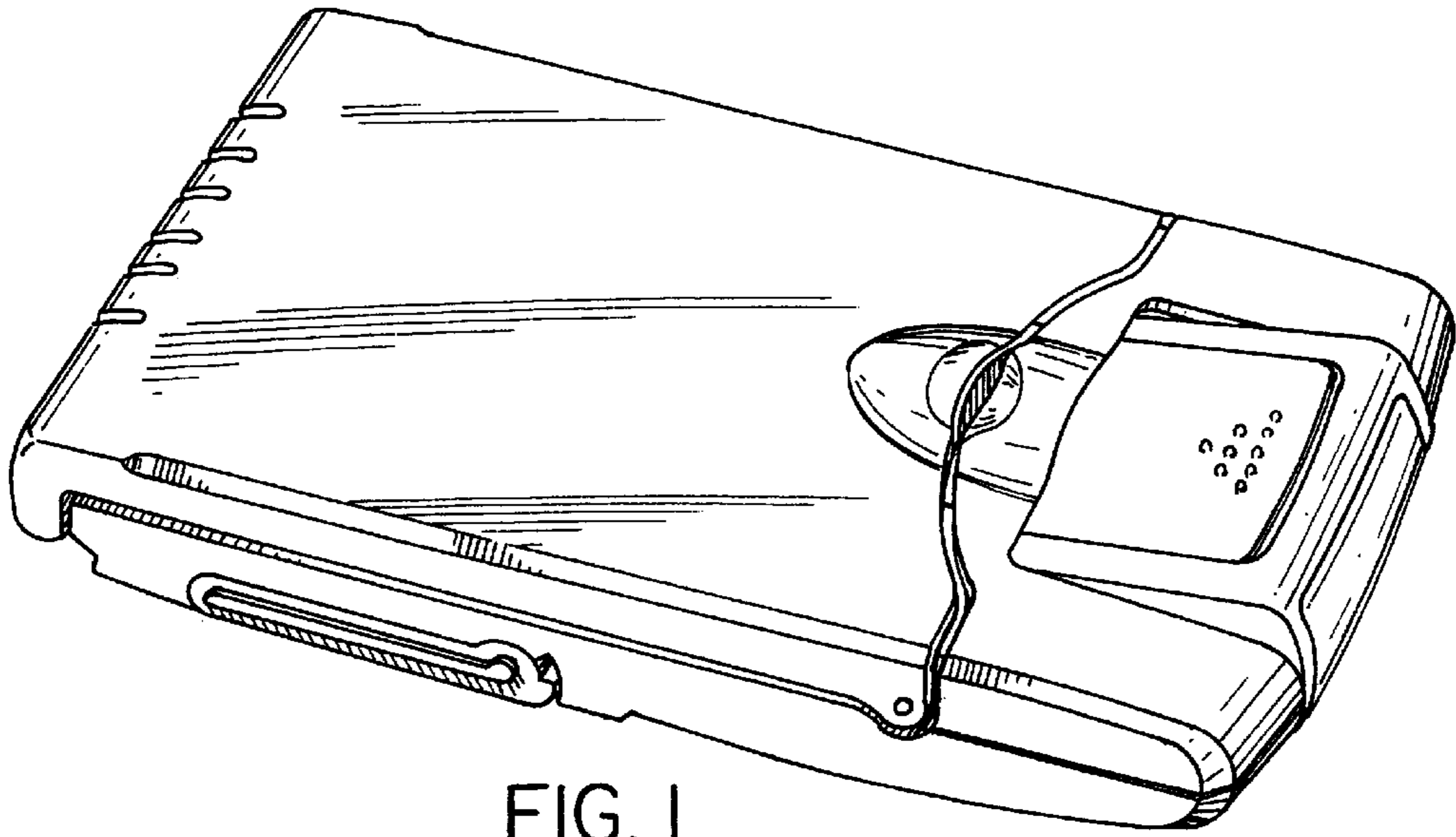
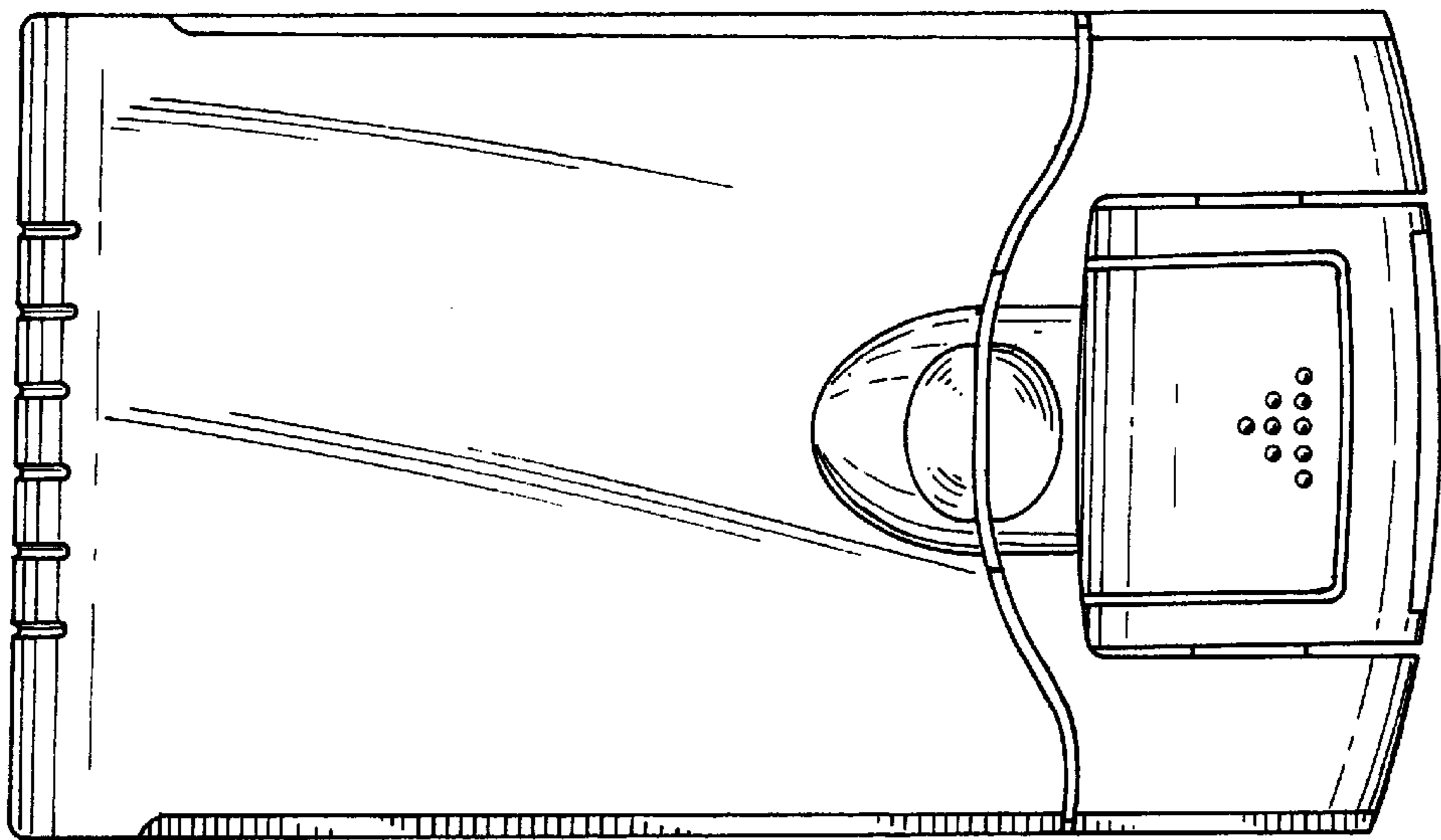


FIG. 1

FIG. 2



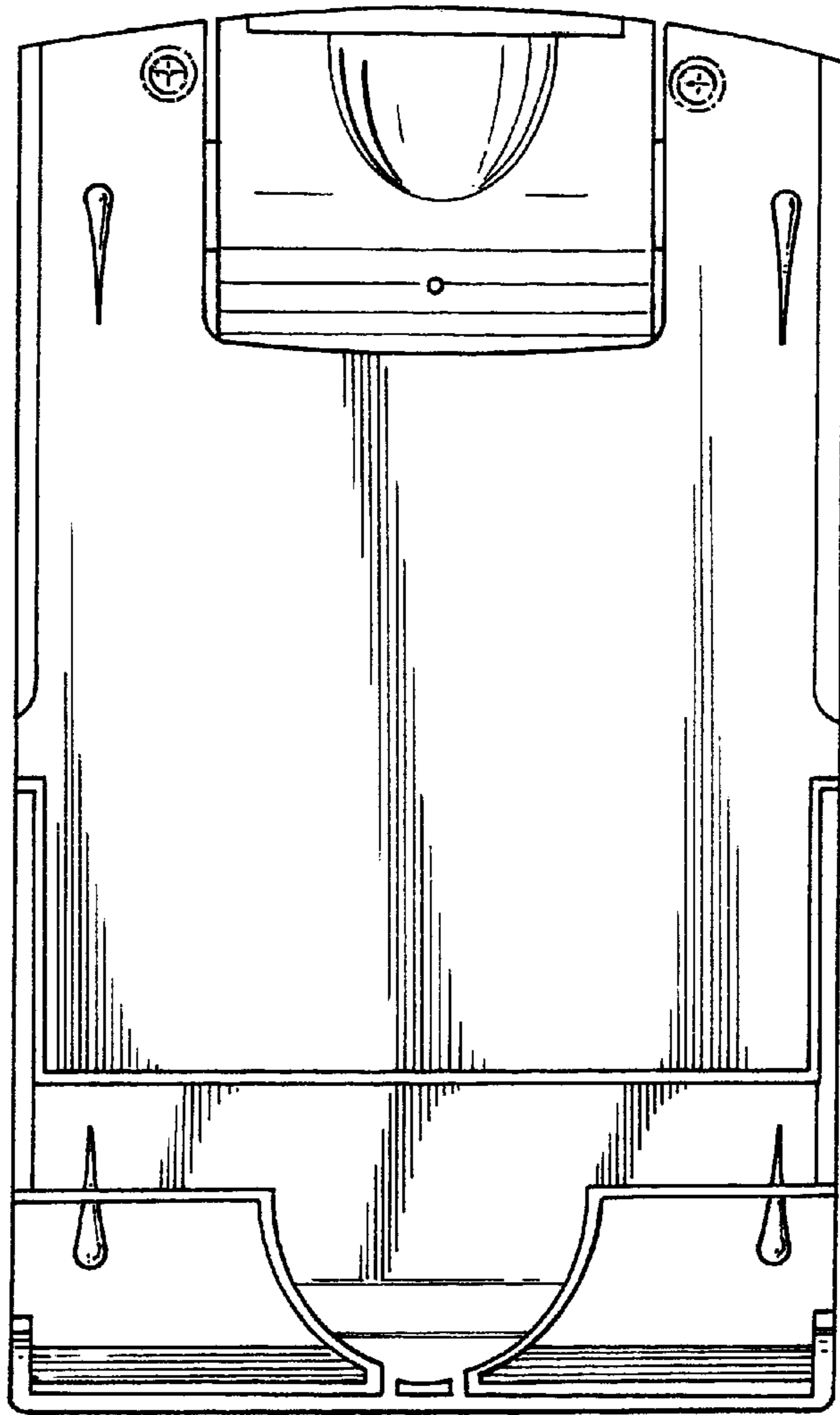


FIG. 3

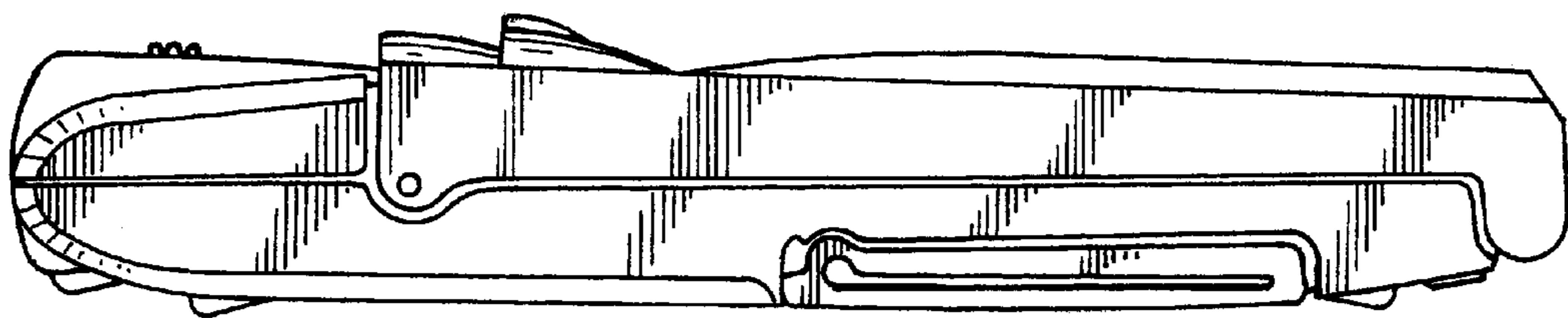


FIG. 4

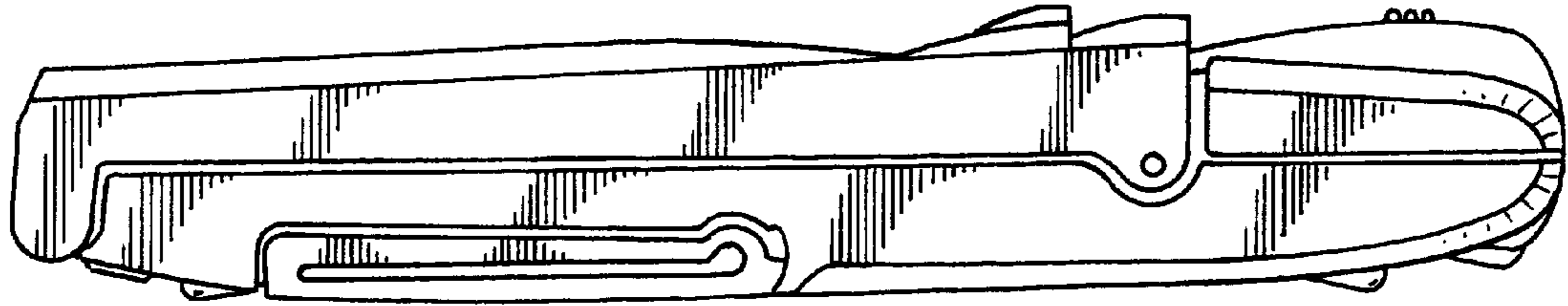


FIG. 5

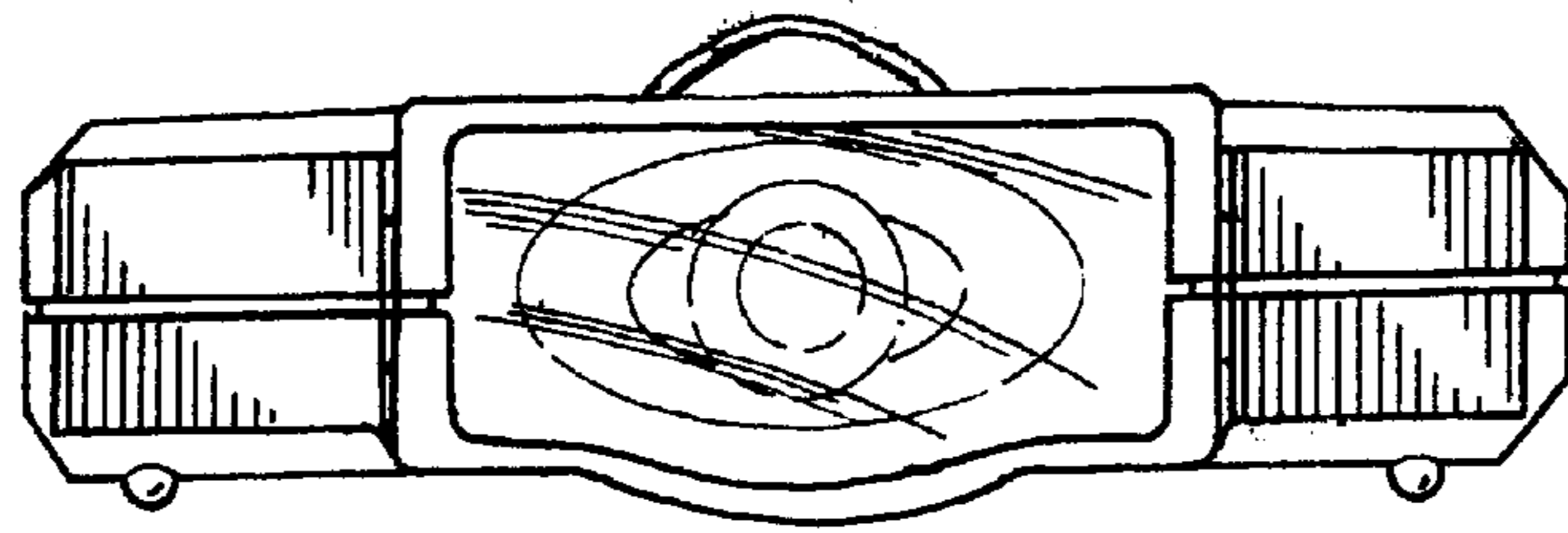


FIG. 6

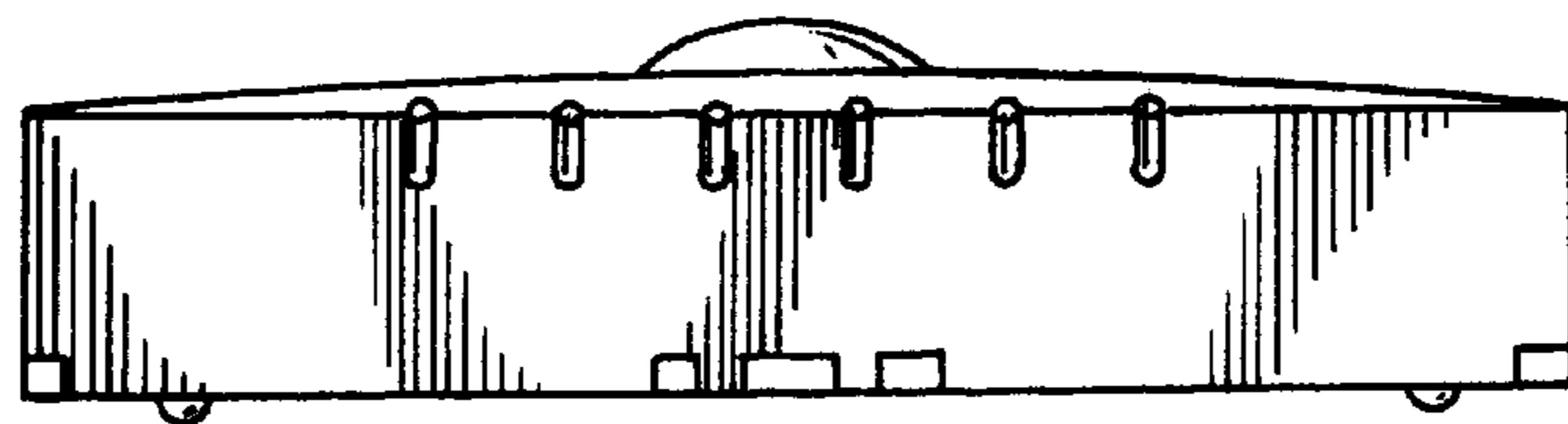


FIG. 7