



US00D439686S

(12) **United States Design Patent**
Petterson et al.

(10) **Patent No.:** **US D439,686 S**

(45) **Date of Patent:** **** Mar. 27, 2001**

(54) **U.S. STYLE ADJUSTABLE NIGHT LIGHT**

(76) Inventors: **Tor Petterson**, 31248 Palos Verdes Dr. West, Rancho Palos Verdes, CA (US) 90275; **Chuck Davis**, 24441 Park St., Unit D, Torrance, CA (US) 90505

(**) Term: **14 Years**

(21) Appl. No.: **29/112,469**

(22) Filed: **Oct. 19, 1999**

(51) **LOC (7) Cl.** **26-05**

(52) **U.S. Cl.** **D26/26**

(58) **Field of Search** D26/26, 93, 104, D26/107, 110, 112; 362/338, 340, 226

(56) **References Cited**

U.S. PATENT DOCUMENTS

D. 194,703	*	2/1963	Rifkin	D26/26
D. 325,096	*	3/1992	Peshak	D26/26 X
D. 347,288	*	5/1994	Ham	D26/26
D. 375,097	*	10/1996	Kovens	D26/26 X
D. 393,084	*	3/1998	Hergert	D26/26
D. 423,698	*	4/2000	Yuen	D26/26

* cited by examiner

Primary Examiner—Cynthia E Ramirez

(74) *Attorney, Agent, or Firm*—Sheldon & Mak; Denton L. Anderson

(57) **CLAIM**

The ornamental design for a U.S. style adjustable night light, as shown and described.

DESCRIPTION

FIG. 1 is a front and side isometric view of the European style adjustable night light of the invention;

FIG. 2 is a rear view of the U.S. style adjustable night light of FIG. 1;

FIG. 3 is a rear and bottom isometric view of the European style adjustable night light of FIG. 1;

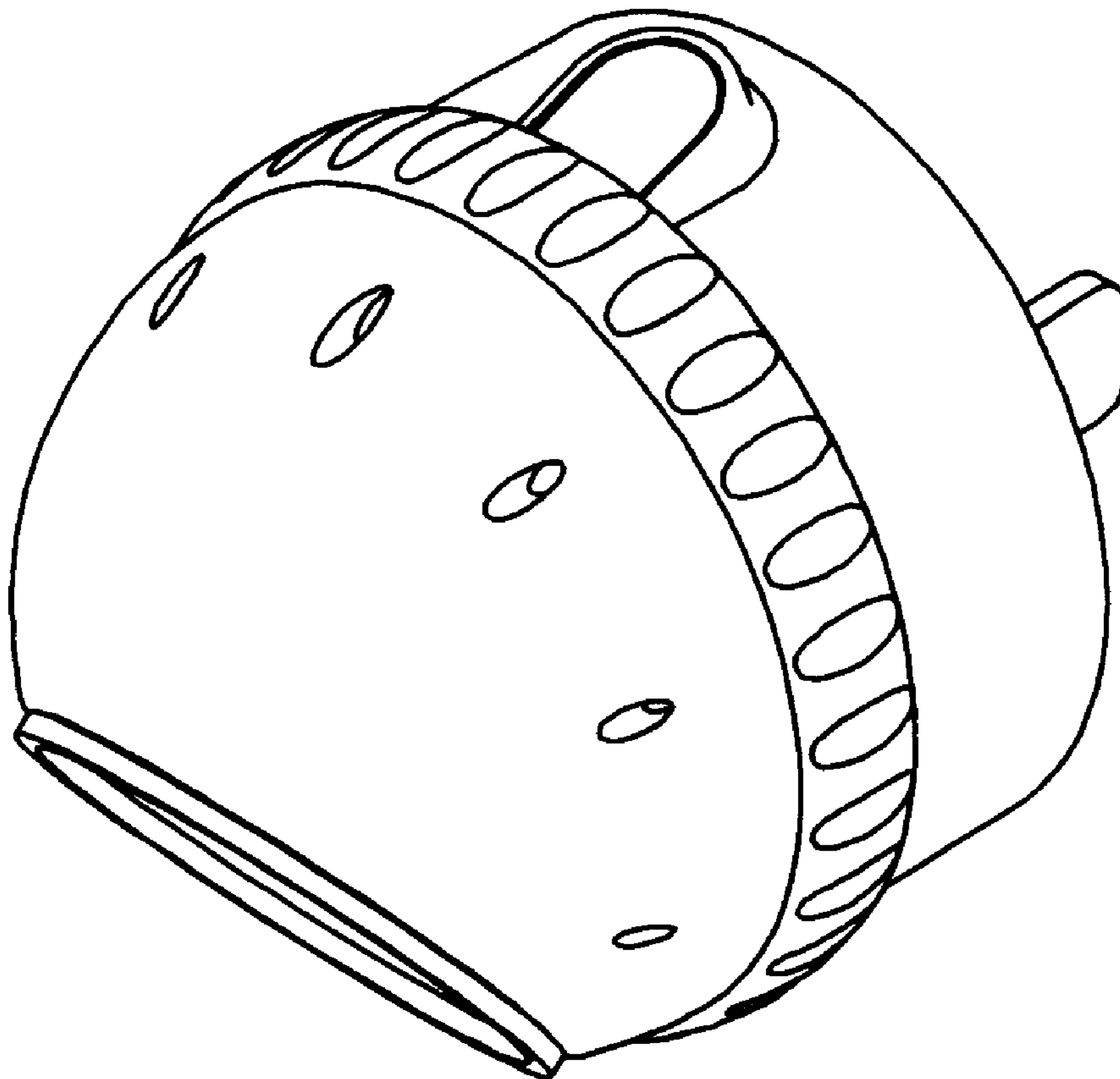
FIG. 4 is a top view of the U.S. style adjustable night light of FIG. 1;

FIG. 5 is a bottom view of the U.S. style adjustable night light of FIG. 1;

FIG. 6 is a front view of the U.S. style adjustable night light of FIG. 1; and,

FIG. 7 is a side view of the U.S. style adjustable night light of FIG. 1.

1 Claim, 2 Drawing Sheets



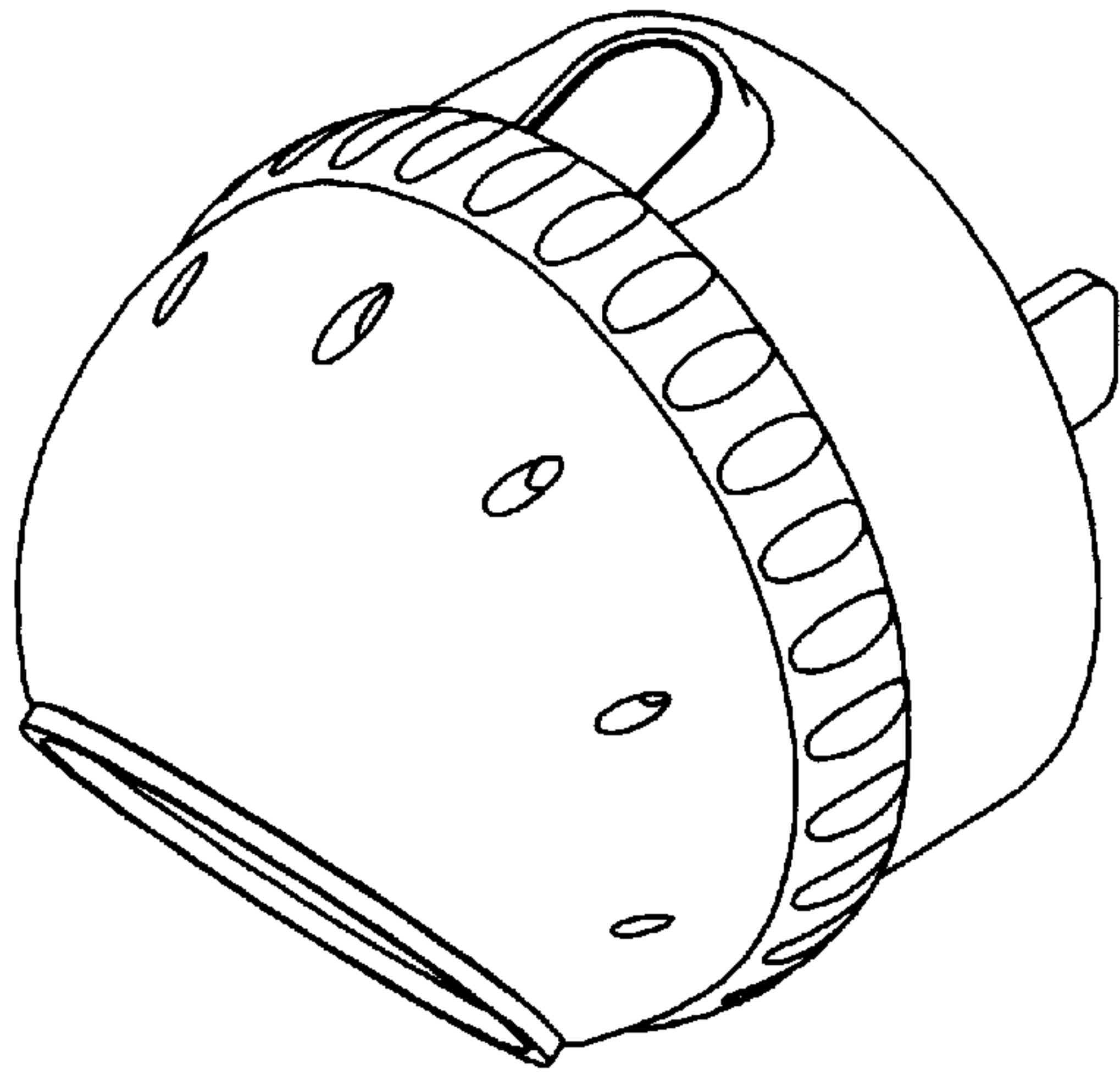


FIG. 1

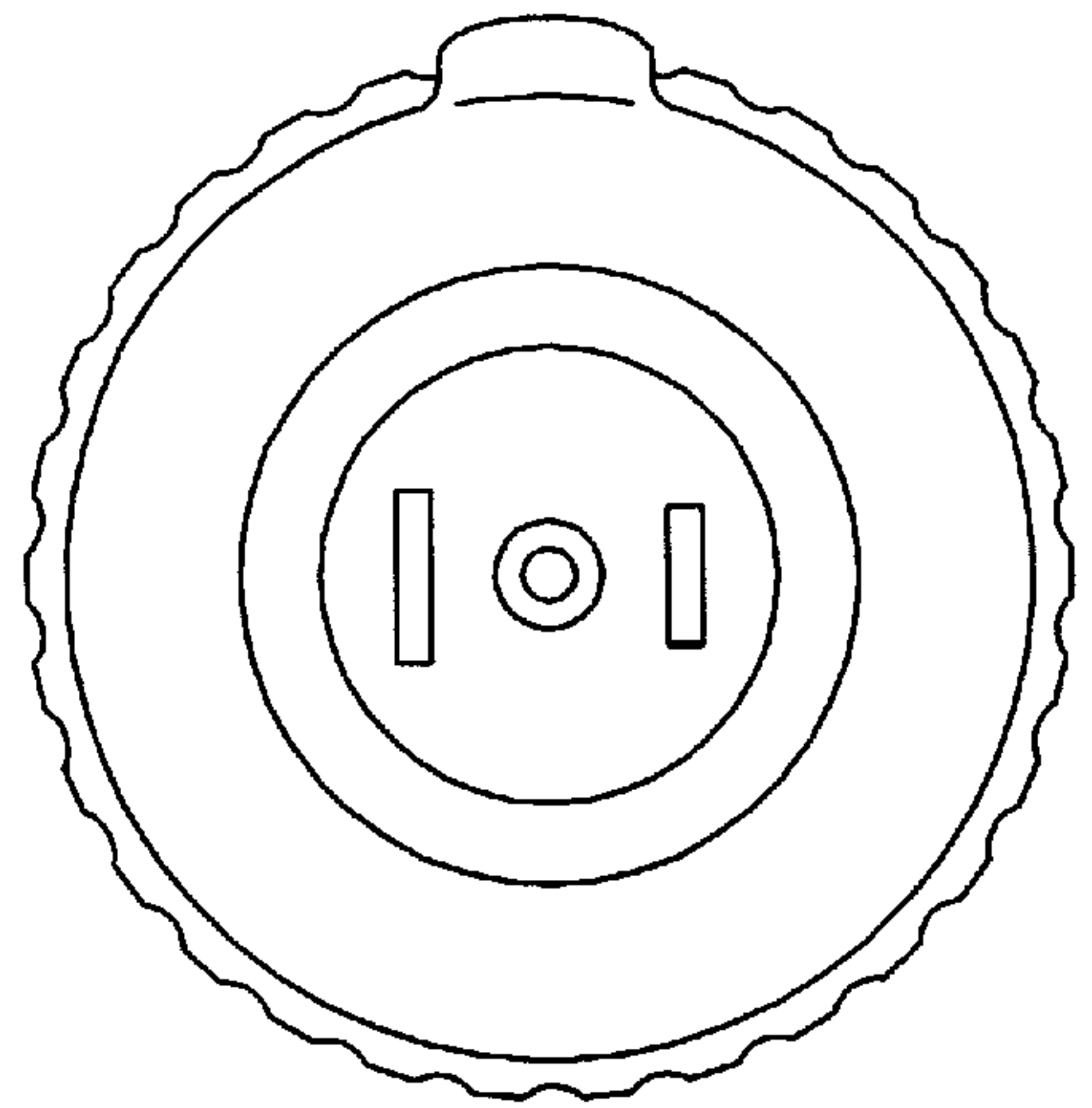


FIG. 2

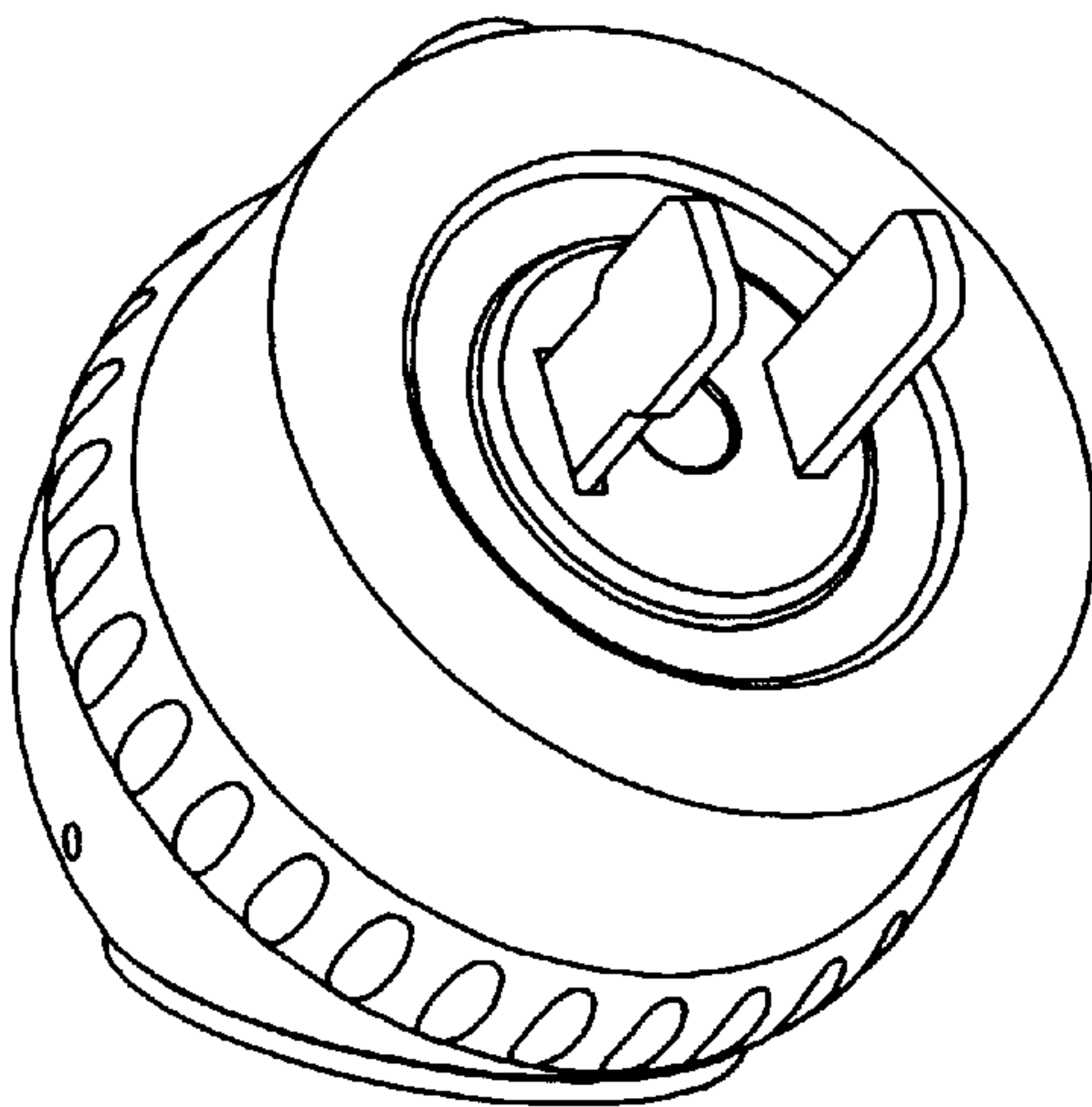


FIG. 3

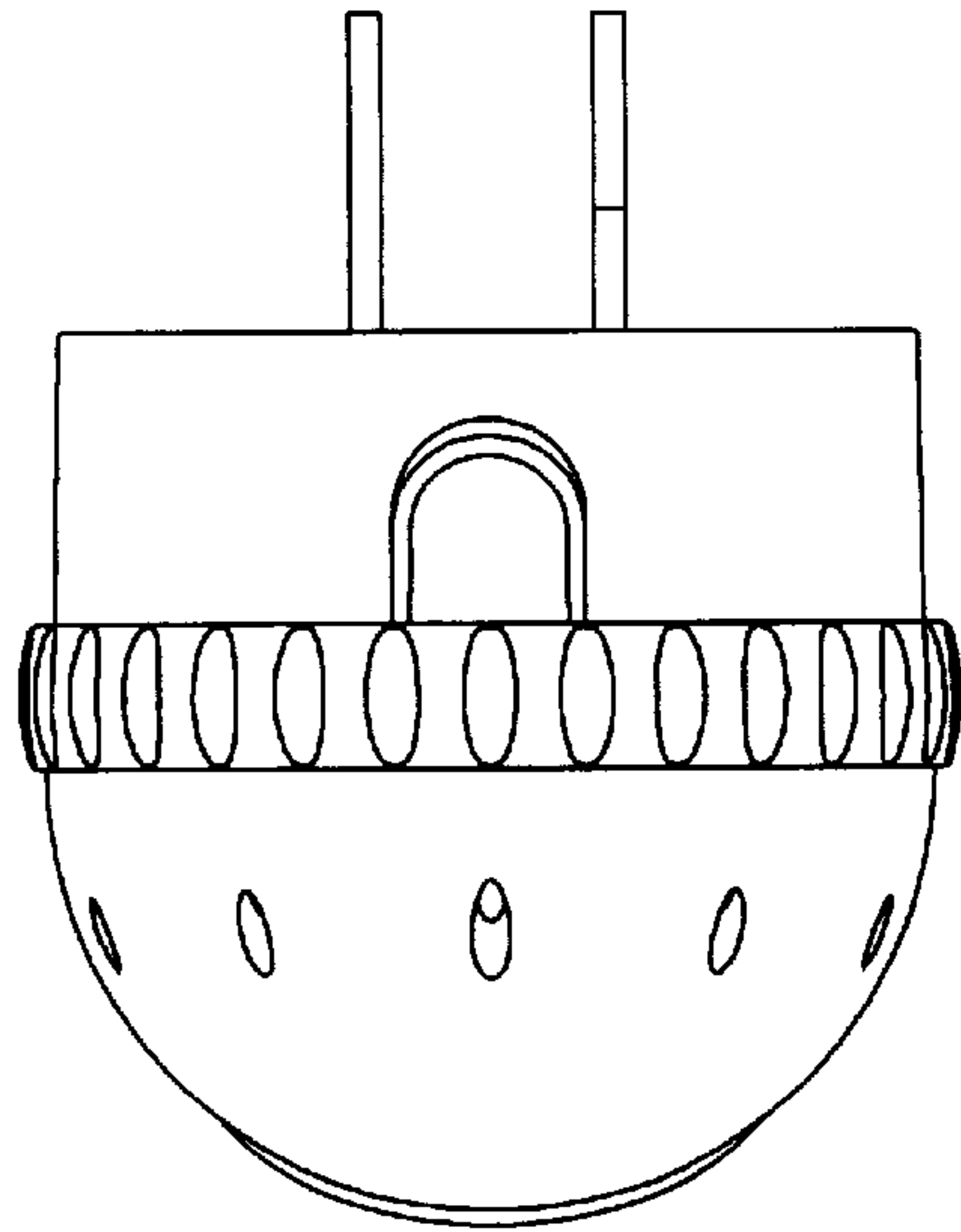


FIG. 4

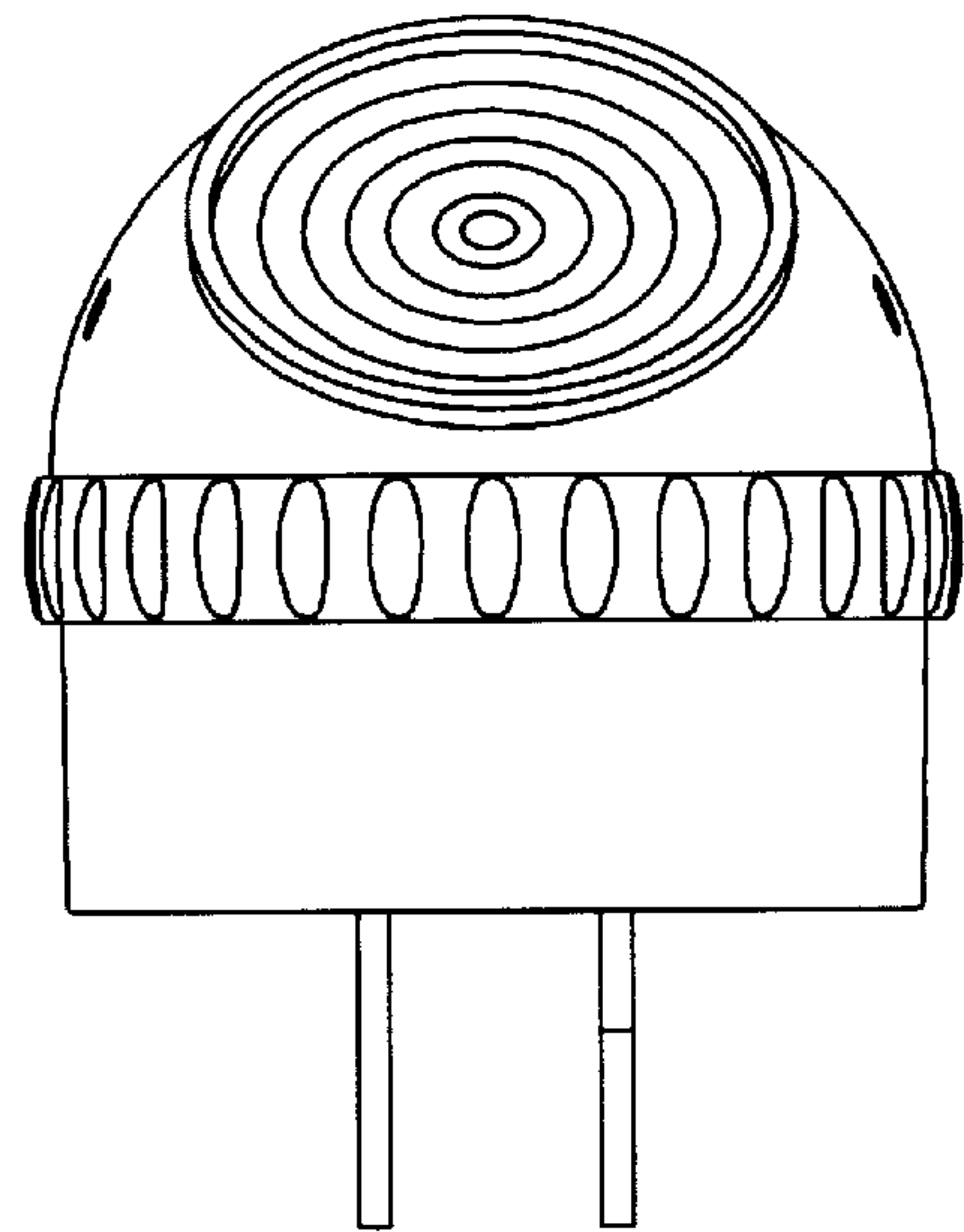


FIG. 5

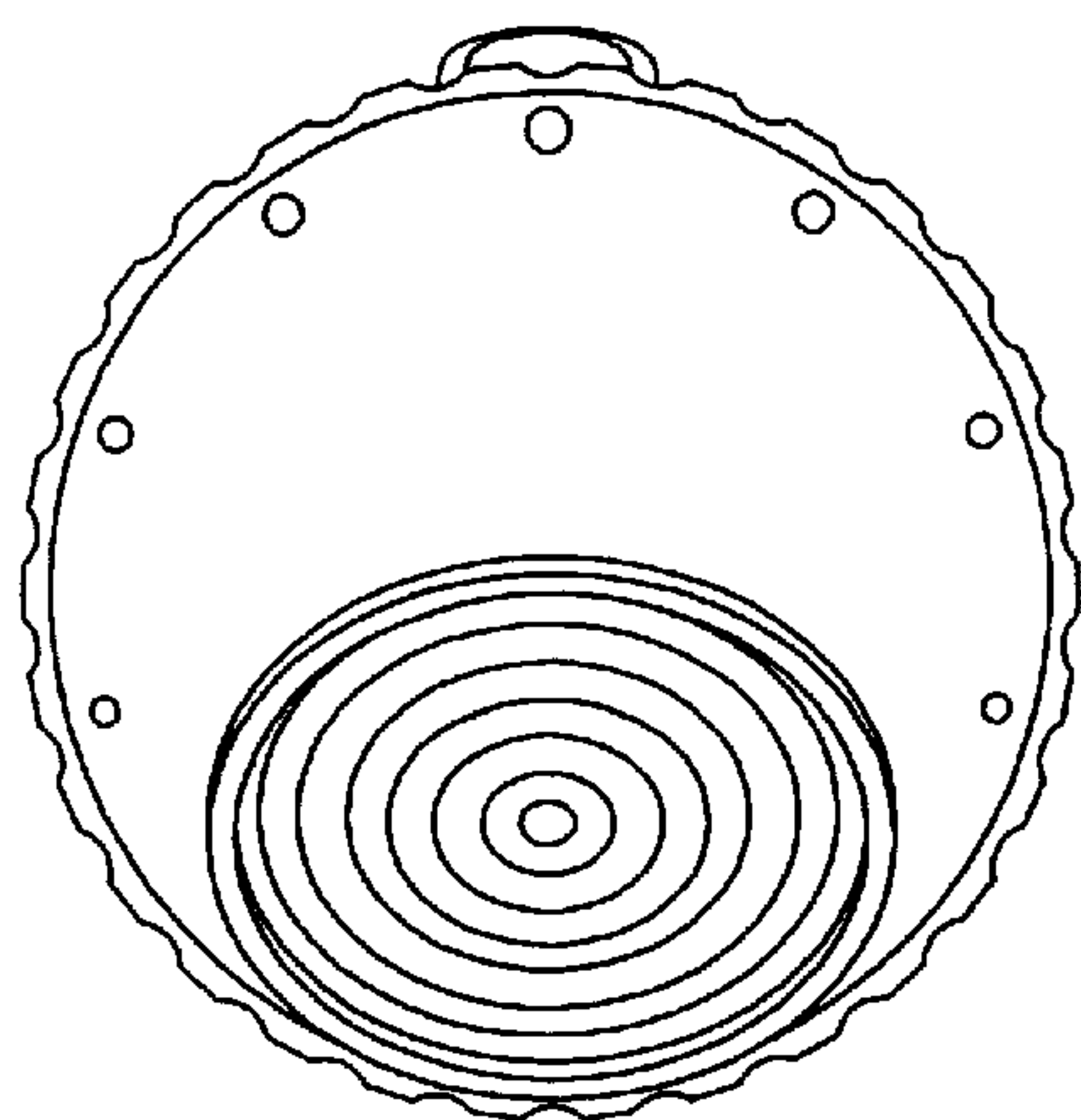


FIG. 6

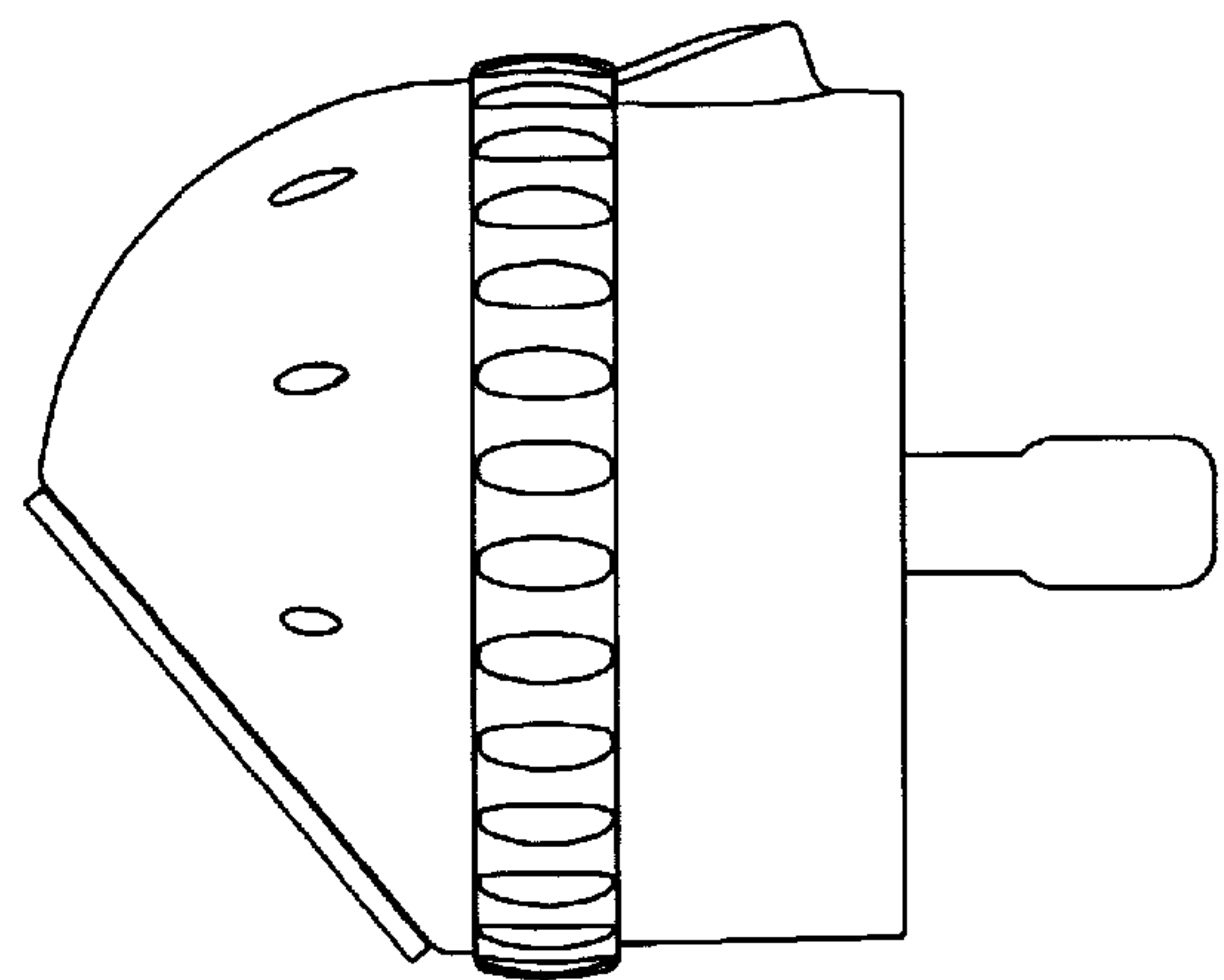


FIG. 7